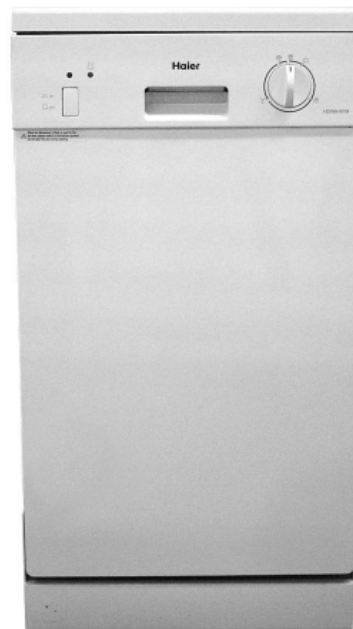


# Haier

**Domestic Dishwasher**  
**HDW9-AFM**



GB

**Code:0120504951**



## Safety Is a Good Habit to Get Into

### NOTICE

Carefully read the instructions contained in this manual, as they provide important information which is essential to safe and proper installation, use and maintenance of the appliance.

**CE** This appliance complies with the following EEC directives:

- 73/23/EEC of 19/02/73 (Low Voltage) and subsequent modifications;

- 89/336/EEC of 03/05/89 (Electromagnetic Compatibility) and subsequent modifications.

- Carefully dispose of the packing material.
- After removing the packing, check to make sure that the appliance is not damaged. If in doubt, contact a qualified professional.
- The dishwasher must only be used by adults for the washing of household dishes and cooking utensils.
- Fundamental rules to follow when using the appliance:
  - \* Never touch the dishwasher when bare foot or with wet hands or feet;
  - \* We discourage the use of extension cords and multiple sockets;
  - \* During installation, the power supply cord must not be excessively or dangerously bent or flattened;
  - \* If the appliance is not operating properly or maintenance must be performed, disconnect the appliance from the power supply.
- Keep detergents out of the reach of children, who must also be kept away from the dishwasher when it is open.

- This appliance cannot be installed outdoors, not even if the area in which it is installed is covered by a roof; it is also very dangerous to leave it exposed to the rain and elements.
- Do not touch the heating element during or after a wash cycle.
- Do not lean or sit on the door when it is open, as this could overturn the dishwasher.
- If the appliance malfunctions, turn off water supply to the appliance and disconnect the plug from the wall socket. Then, consult the section entitled, "Troubleshooting". If you can not solve the problem, contact a service centre.
- Only specialised personnel are authorised to make repairs.
- Appliances which are no longer being used must be made inoperable by cutting the power supply cord and removing the door lock.
- The appliance must be positioned so that the plug is accessible.
- The carpet must not obstruct the opening when the appliance installing on the ground with carpet.
- If the supply cord is damaged, it must be replaced by a special cord or assembly available from the manufacturer or its service agent.

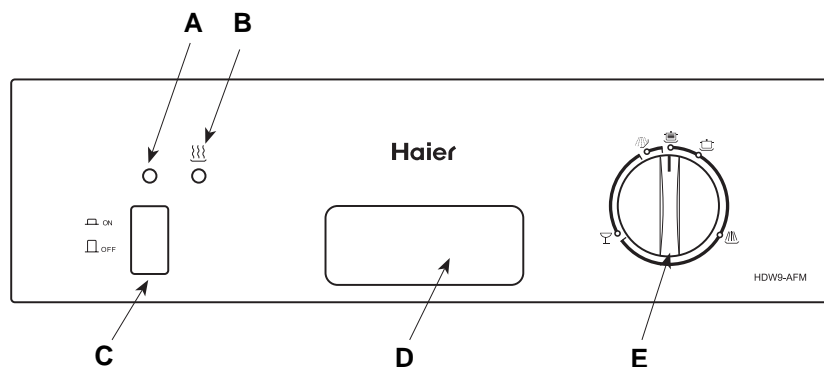
### Notice:

**The appliance is not instruct for use of young children of infirm persons without supervision.**

**Young children should be supervised to ensure that they do not play with the appliance.**

**If the supply cord is damaged, it must be replaced by the manufacturer or its service agent or a similarly qualified person in order to avoid a hazard.**

## Close-up View (Control Panel)



A ON-OFF Light

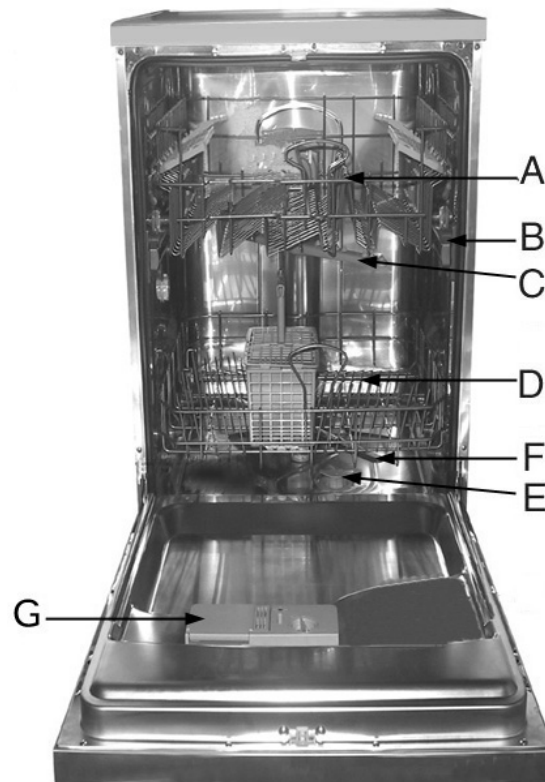
B Heater indicator Light

C ON-OFF Button

D Handle For Opening Door

E Knob For Selecting Cycle

## Close-up View (Interior)



- A Upper Rack
- B Rack Height Adjustor
- C Top Spray Arm
- D Lower Rack
- E Washing Filter
- F Bottom Spray Arm
- G Detergent and Rinse Aid Dispenser

---

### Technical characteristics

---

Width	45 cm
Depth	60 cm
Height	85 cm
Capacity	9 standard place settings
Mains water pressure	0.03-0.6 MPa
Power voltage	220-240V~ 50Hz
Total absorber power	1900W

---

## Detergent and Rinse Aid... ..

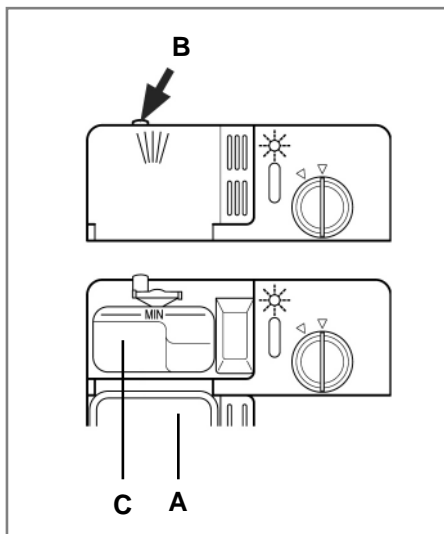
### Detergent

Detergent specifically intended for use with dishwashers must be used. The dispenser must be refilled before the start of each wash cycle following the instructions provided in the "Wash Cycle Table". The detergent dispenser is located on the inside panel of the door.

### Loading the detergent

To open the "A" cover on the dispenser, press the "B" button. The detergent for the wash cycle should be poured into the "C" compartment.

After the detergent has been placed in the dispenser, close the cover and press down until it clicks in place.



**Notice:** To facilitate closing the cover, remove any excess detergent on the edges of the dispenser.

**Dishwasher detergents are strongly alkaline. They can be extremely dangerous if swallowed. Avoid contact with the skin and eyes and keep children away from the dishwasher when the door is open. Check that the detergent receptacle is empty after completion of the wash cycle.**

### Rinse Aid

This product makes dishes sparkle and helps them to dry without spotting. The dispenser is located on the inside panel of the door and should be filled after every 80 wash cycles.

### Loading the Rinse Aid

Regardless of the type detergent dispenser installed on your appliance, you must proceed as indicated below when loading the rinse aid.

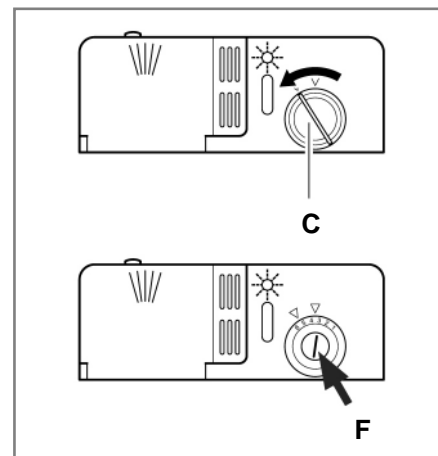
To open the dispenser, turn the "C" cap in the anti-clockwise direction and then pour in the rinse aid, making sure not to overfill. The amount of rinse aid used for each cycle can be regulated by turning the "F" dose adjustor, located beneath the "C" cap, with a screwdriver. There are 6 different settings; the normal dosage setting is 3.

### Important:

*Proper dosage of the rinse aid improves drying.*

*If drops of water remain on the dishes or spotting occurs, the dosage adjustor should be turned to a higher setting.*

*If the dishes have white streaks, turn the dosage adjustor to a lower setting.*



# Loading the Dishwasher

Before placing the dishes in the dishwasher, remove the large food particle to prevent the filter from becoming clogged, which results in reduced performance.

If the pots and pans have baked-on food that is extremely hard to remove, we recommend that they be allowed to soak before they are washed. This will eliminate the need for extra wash cycle.

Pull out the rack to facilitate loading the dishwasher.

## How to Use the Lower Rack

We recommend that you place the items which are the most difficult to clean items on the lower rack: pots, lids, serving dishes and bowls, as shown in the figure to the right.

It is preferable to place serving dishes and lids on the sides of the racks in order to avoid blocking the rotation of the top spray arm.

- Pots, serving bowls, etc. must always be placed face down.
- Deep pots should be slanted to allow the water to flow out.
- The lower rack features fold down tine rows (see fig.A) so that larger or more pots and pans can be loaded.
- The silverware basket can not be doubled (see fig.B) .
- Silverware should be placed in the silverware basket with the handles at the bottom; if the rack has side baskets, the spoons should be located individually into the appropriate slots. Especially long utensils should be placed in the horizontal position at the front of the upper rack.

## How to Use the Upper Rack

The upper rack is designed to hold more delicate and lighter dishware, such as glasses, coffee and tea cups and saucers, as well as plates, small bowls and shallow pans (as long as they are not too dirty).

Position the dishes and cookware so that they do not get moved by the spray of water.

The upper rack can be adjusted for height. (See fig.C)

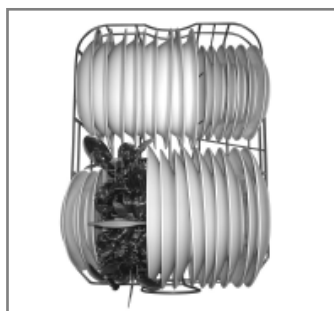
## Shelf

Lean tall glasses and those with long stems against the shelf-not against other items to be washed.

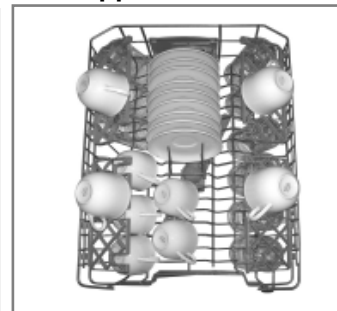
Place glasses, cups and small bowls on the additional cup rack.

The additional cup rack can be swivelled in or out as required (see fig.D).

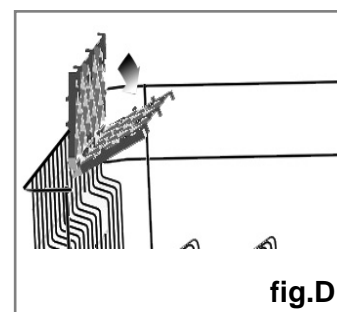
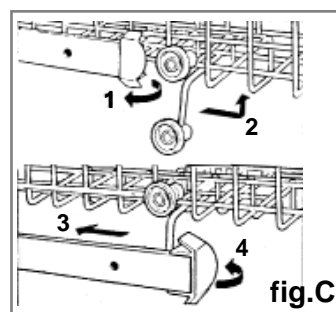
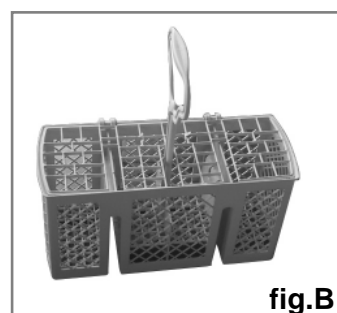
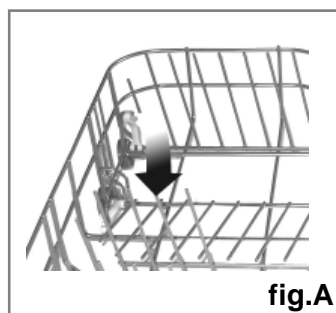
Lower Rack



Upper Rack








Load for 9 Standard Settings





## Wash Cycle Table

Cycle	Cycle Selection Information	Description of Cycle	Detergent	Rinse Aid
 Intensive Wash	Very dirty dishes, pots and pans. (not to be used with delicate items)	Pre-wash with cold water. Rinse with cold water. Extended wash at 50°C. Rinse with hot water. Drying.	<b>28.5g</b>	★
 Normal Wash	Normally dirty dishes, pots and pans. Standard daily cycle.	Rinse with cold water. Extended wash at 50°C. Rinse with hot water. Drying.	<b>5+23.5g</b>	★ (5)
 Rinse	For dishes that need to be rinsed and dried only.	Rinse with hot water. Drying.		★
 Glassware	Economic, fast cycle to be used for items which are sensitive to higher. Run immediately after dishes are used.	Wash at 50°C . Hot Rinse. Drying.	<b>15g</b>	★
 Soak	Pre-wash of dishes, pots and pans while waiting for the load to be completed after the subsequent meal.	Short cold wash to prevent food residue from drying on the dishes .		



## Energy Saving Tips

- It is important to try and run the dishwasher when it is fully loaded to save on energy. In order to prevent odors from forming and food from caking onto the dishes, you can run the soak cycle.
- Choose the right wash cycle: the choice of cycle depends on the type of dishware, cookware and utensils being washed and how dirty they are.
- Use the right amount of detergent: if you use too much detergent, the result will not be cleaner dishes, but, rather, a greater negative impact on the environment.
- There is no utility in rinsing dishes, cookware and utensils before placing them in the dishwasher.

## How to Keep Your Dishwasher in Shape

### After Every Wash

After every wash, turn off the water supply to the appliance and leave the door slightly ajar so that moisture and odors are not trapped inside.

### Remove the Plug

Before cleaning or performing maintenance, always remove the plug from the socket. Do not run risks.

### No Solvents or Abrasive Cleaning Products

To clean the exterior and rubber parts of the dishwasher, do not use solvents or abrasive cleaning products. Rather, use only a cloth and warm soap water.

To remove spots or stains from the surface of the interior, use a cloth dampened with water and white vinegar, or a cleaning products made specifically for dishwasher.

### When You Go on Holiday

When you go on holiday, it is recommended that you run a wash cycle with the dishwasher empty and then remove the plug from the socket, turn off the water supply and leave the door of the appliance slightly ajar. This will help the seals last longer and prevent odors from forming within the appliance.

### Moving the Appliance

If the appliance must be moved, try to keep it in the vertical position. If absolutely necessary, it can be positioned on its back.

### Seals

One of the factors that cause odors to form in the dishwasher is food that remains trapped in the seals. Periodic cleaning with a sponge will prevent this from occurring.

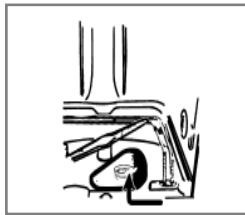
## Cleaning and Special Maintenance

### Filter Assembly

For the best performance and results, the filter assembly must be cleaned.

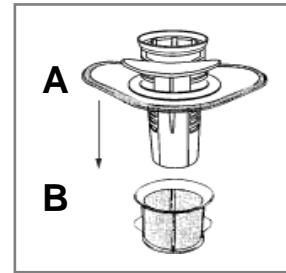
The filter efficiently removes food particles from the wash water, allowing it to be recirculated during the cycle. For this reason, it is a good idea to remove the larger food particles trapped in the filter after each wash cycle by rinsing the "A" semi-circular filter and cup under running water. To remove the filter assembly, pull on the cup handle in the upward direction. The entire filter assembly (made up of the "A" semicircular filter and the "B" fine filter) should be cleaned at least once a month. To clean the filter and the fine filter, use a cleaning brush. Then, reassemble the filter parts as shown in the figures below and reinsert the entire assembly in the dishwasher, positioning in its seat and pressing downward.

The dishwasher must never be used without the filters. Improper replacement of the filters may reduce level of the appliance and damage dishes and utensils.



### Cleaning the Spray Arms

It may happen that food particles become encrusted on the sprayer arms and block the hole. Check the sprayer arms periodically and clean them when needed. (See "Close up view [interior]", letters C-E).



### Cleaning the Water Inlet Filter

Periodically clean the water inlet filter located on the outlet of the water supply tap.

After turning off the water tap, unscrew the end of the water supply hose, remove the filter and clean it carefully under running water. Then, return the filter to its place and tighten the water supply hose back into position.

## Troubleshooting

It may occur that the dishwasher does not function or does not function properly. Before calling for assistance, let us see what can be done first: have you forgotten to press one of the buttons or to perform an essential operation?

### The Dishwasher Does Not Start

Have you checked whether:

- the plug is pushed into the socket correctly;
- the power is on in the house;
- the door is closed properly;
- the ON-OFF switch is on "ON";
- the water supply is turned on.

### The Dishwasher Does Not Load Water

Have you checked whether:

- the water is turned on and the hose is connected properly;
- the water supply to the house on and has sufficient pressure;
- the water supply hose is crimped or bent;
- the filter for the water supply hose is clogged.

### The Dishes Are Not Clean

Have you checked whether:

- the water is turned on and the hose is connected properly;

- the water supply to the house on and has sufficient pressure;
- the water supply hose is crimped or bent;
- the filter for the water supply hose is clogged.

### The Dishwasher Does Not Drain

Have you checked whether:

- the drain hose is crimped or bent.

### Lime Deposits or a White Film Form on the Dishes

Have you checked whether:

- the lid to the salt container is closed properly;
- the rinse aid dosage is correct.

If, despite all these checks, the dishwasher still does not function and/or the problem persists, contact the nearest authorised service centre and provide them with the following information:

- the nature of the problem;
- the model type number (Mod...) And the serial number (S/N...), which are indicated on the plate located on the side of the inner part of the door.

**Never call on unauthorised technicians and refuse to allow parts to be installed that are not original spare parts.**

# Installation

## Positioning the Appliance

Position the appliance in the desired location. The back should rest against the wall behind it, and the sides, along the adjacent cabinets or wall. The dishwasher is equipped with water supply and drain hoses that can be positioned to the right or the left to facilitate proper installation.

## Levelling the Appliance

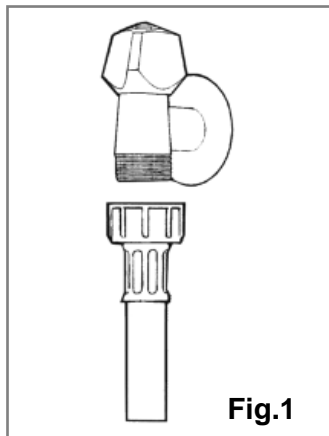
Once the appliance is positioned, adjust the feet (screwing them in or out) to adjust the dishwasher, making it level. In any case, the appliance should not be inclined more than 2°. If the appliance is level, it will help ensure proper performance.

## Cold Water Connection

Connect the cold water supply hose to a threaded 3/4 (gas) connector and make sure that it is fastened tightly in place (see fig.1). If the water pipes are new or have not been used for an extended period of time, let the water run to make sure that the water is clear and free of impurities. If this precaution is not taken, there is a risk that the water inlet can get blocked and damage the appliance.

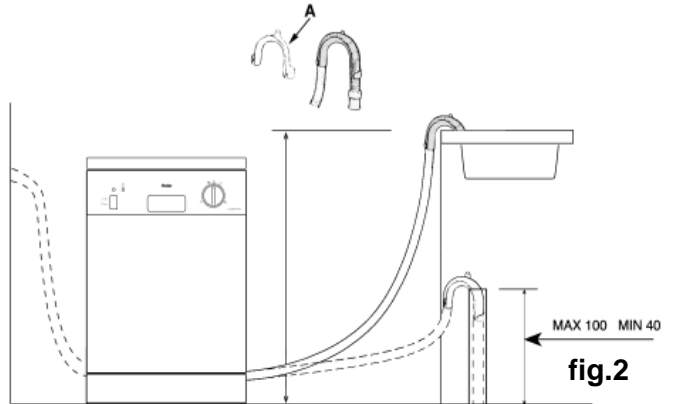
## Hot Water Connection

The water supply to the appliance can also be connected to the house's hot water line (centralised system, heating system), as long as it does not exceed a temperature of 60°C. In this case, the wash cycle time will be shortened by about 15 minutes and the wash efficiency slightly reduced. The connection must be made to the hot water line following the same procedures as those for the connection to the cold water line.



## Drain Hose Connection

Insert the drain hose into a drain pipe with a minimum diameter of 4cm, or let it run into the sink, making sure to avoid bending or crimping it. Use the special plastic support that comes with the appliance (see fig.2). The free end of the hose must be at a height between 40 and 100 cm and must not be immersed in water.



## Attention:

*The special plastic hose support must be solidly fastened to the wall to prevent the drain hose from moving and allowing water to spill outside the drain.*

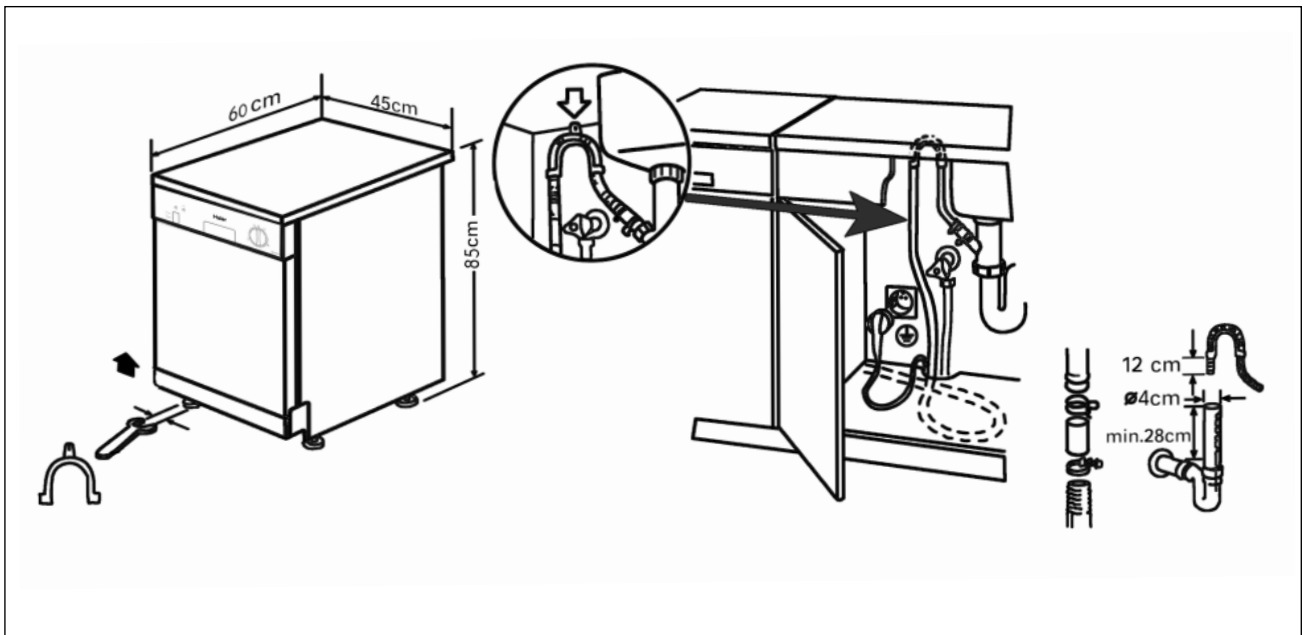
*Use the new hose and the old hose should not be reused.*

## Electrical Connection

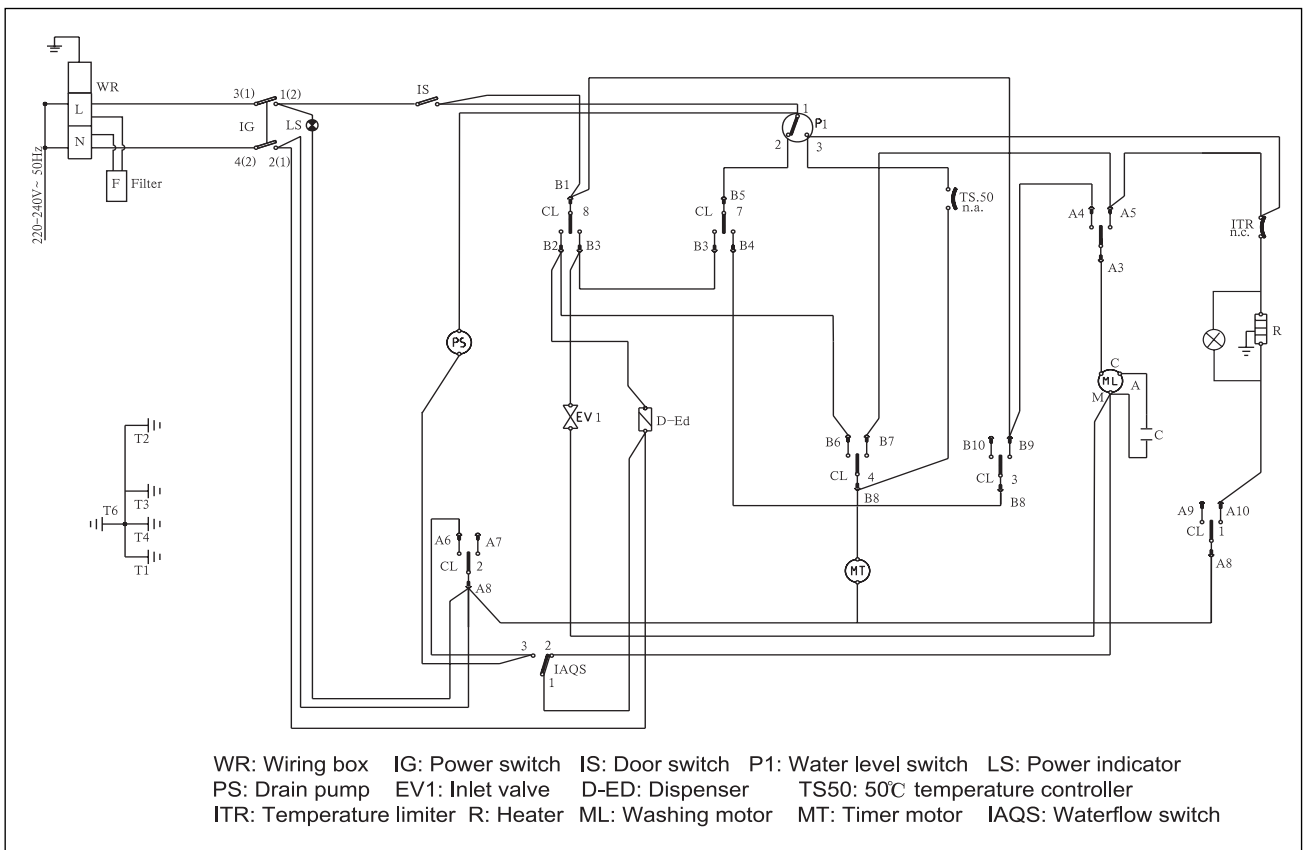
After making sure that the voltage and frequency values for the current in the home correspond to those on the rating plate (located on the stainless steel inner door of the appliance) and that the electrical system is sized for the maximum voltage on the rating plate, insert the plug into an electrical socket which is earthed properly (the earthing of the appliance is a safety requirement mandated by law).

If the electrical socket to which the appliance must be connected is not appropriate for the plug, replace the plug, rather than using adaptors or the like as they could cause overheating and burns.

# Installation



# Diagram



## Free Manuals Download Website

<http://myh66.com>

<http://usermanuals.us>

<http://www.somanuals.com>

<http://www.4manuals.cc>

<http://www.manual-lib.com>

<http://www.404manual.com>

<http://www.luxmanual.com>

<http://aubethermostatmanual.com>

Golf course search by state

<http://golfingnear.com>

Email search by domain

<http://emailbydomain.com>

Auto manuals search

<http://auto.somanuals.com>

TV manuals search

<http://tv.somanuals.com>