

# Haier

**HLH15BB/15HL25S/HLE20BB/20AL25S/HLH19BB/HLH19W**



LCD TV

## **USER MANUAL**

Please read this manual carefully  
before using this TV set and keep it  
for future reference.

# Warning



## WARNING

RISK ELECTRIC SHOCK  
DO NOT OPEN



WARNING : To reduce the risk of electric shock do not remove cover or back.  
No user-serviceable parts inside refer service to qualified service personnel.

Safety of operators has been taken into consideration at the design and manufacture phase, but inappropriate operation may cause electric shock or fire. To prevent the product from being damaged, the following rules should be observed for the installation, use and maintenance of the product. Read the following safety instruction before starting the operation.

The User Manual uses the following symbols to ensure a safe operation and prevent any damage to operators or properties:



**THIS SYMBOL INDICATES THAT HIGH VOLTAGE IS PRESENT INSIDE. IT IS DANGEROUS TO MAKE ANY KIND OF CONTACT WITH ANY INSIDE PART OF THIS PRODUCT.**



**THIS SYMBOL INDICATES THAT THERE ARE IMPORTANT OPERATING AND MAINTENANCE INSTRUCTIONS IN THE LITERATURE ACCOMPANYING THE APPLIANCE.**

## FCC STATEMENT

This equipment has been tested and found to comply with the limits for a Class B digital device, pursuant to Part 15 of the FCC Rule. These limits are designed to provide reasonable protection against harmful interference in a residential installation. This equipment generates, use and can radiate radio frequency energy and, if not installed and used in accordance with the instructions, may cause harmful interference to radio communications. However, there is no guarantee that interference will not occur in a particular installation. If this equipment does cause harmful interference to radio or television reception, which can be determined by turning the equipment off and on, the user is encouraged to try to correct the interference by one or more of the following measures:

- \*Reorient or relocate the receiving antenna.
- \*Increase the separation between the equipment and receiver.
- \*Connect the equipment into an outlet on a circuit different from that to which the receiver is connected.
- \*Consult the dealer or an experienced radio/TV technician for help.

This device complies with Part 15 of the FCC Rules. Operation is subject to the following two conditions: (1) This device may not cause harmful interference, and (2) this device must accept any interference received, including interference that may cause undesired operation.

### FCC CAUTION:

To assure continued compliance and possible undesirable interference, the provided ferrite cores must be used when connecting this plasma display to video equipment; and maintain at least 40cm spacing to other peripheral device.

### CANADIAN NOTICE:

This Class B digital apparatus complies with Canadian ICES-003.

# Safety Instructions

## IMPORTANT SAFETY INSTRUCTIONS

**Read all of the instructions before using this appliance. When using this appliance, always exercise basic safety precautions, including the following:**

- 1) Save these Instructions ---the safety and operating instructions should be retained for future reference.
- 2) All warning on the appliance and in the operating instructions should be followed.
- 3) Cleaning --- Unplug from the wall outlet before cleaning. Do not use liquid cleaners or aerosol cleaners. Use only dry cloth for cleaning.
- 4) Attachments ---do not use attachments not recommended by the manufacturer as they may cause hazards.
- 5) Water and moisture -- do not place this product near water, for example, near a bathtub, wash bowl, kitchen sink, laundry tub, in a wet basement, or near a swimming pool.
- 6) Accessories ---do not place this unit on an unstable cart, stand, tripod, bracket, or table. Use only with a cart, stand, tripod, bracket, or table recommend by the manufacture, or sold with the unit.
- 7) Ventilation ---Slots and openings in the cabinets and the back or bottom are provided for ventilation. These openings must not be blocked. In a built in installation such a bookcase or rack do not install product unless proper ventilation is provided.
- 8) Power Source ---this LCD TV should be operated only from the type of power source indicated on the rating label. If you are not sure of the type of power supply to your home, consult your appliance dealer or local power company.
- 9) Do not defeat the safety purpose of the polarized or grounding-type plug. A polarized plug has two blades with one wider than the other. A grounding type plug has two blades and a third grounding prong. The wide blade or the third prong are provided for your safety. If the provided plug does not fit into your outlet, consult an electrician for replacement of the obsolete outlet. To prevent electric shock, ensure the grounding pin on the AC cord power plug is securely connected.
- 10) Power cord protection ---Power supply cords should be routed so that they are not likely to be walked on or pinched by items placed upon or against them. Pay particular attention to cords or plugs, convenience receptacle, and the point where they exit from the appliance.
- 11) Lighting precaution ---for added protection for this product during a lighting storm or when it is left unattended for long period of time, unplug it from the wall outlet and disconnect the antenna or cable system. This will prevent damage to the product due to lighting and power line surges.
- 12) Never push objects of any kind into this product through openings as they may touch dangerous voltage point or short out parts that could result in a fire or electric shock. Avoid spilling liquid of any kind on the product.
- 13) Servicing ---do not attempt to service the product by yourself, as opening or removing covers may expose you to dangerous voltage or other hazards. Refer all servicing to authorized service personnel.
- 14) Unplug this unit from the wall outlet and refer servicing to qualified service personnel under the following conditions:
  - a. When the power supply cord or plug is damaged or frayed.

# Safety Instructions

- b. If liquid has been spilled, or objects have been fallen into the unit.
  - c. If the unit has been exposed to rain or water.
  - d. If the unit does not operate normally by following the operating instructions. Adjust only those controls that are covered by the operating instructions, as improper adjustment of other controls may result in damage and will often require extensive work by a qualified technician to restore the unit to its normal operation.
  - e. If the unit has been dropped or damaged in any way.
  - f. When the unit exhibits a distinct change in performance; this indicates a need for service.
- 15) Heat --- The product should be situated away from heat sources such as radiators, heat registers, stoves, or other products (including amplifiers) that produce heat.
- 16) Overloading --- Do not overload wall outlets and extension cords as this can result in a risk of fire or electric shock.

## SAVE THESE INSTRUCTIONS

Thank you for using our Haier product. This easy-to-use manual will guide you in getting the best use of your product. Remember to record the model and serial number. They are on label in back of the unit.

---

Model number

---

serial number

---

Date of purchase

Staple your receipt to your manual. **You will need it to obtain warranty service.**

## To users:

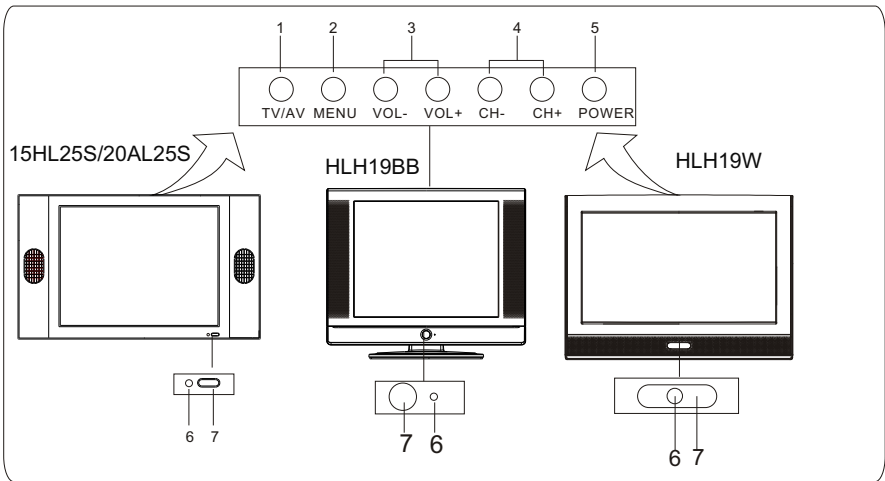
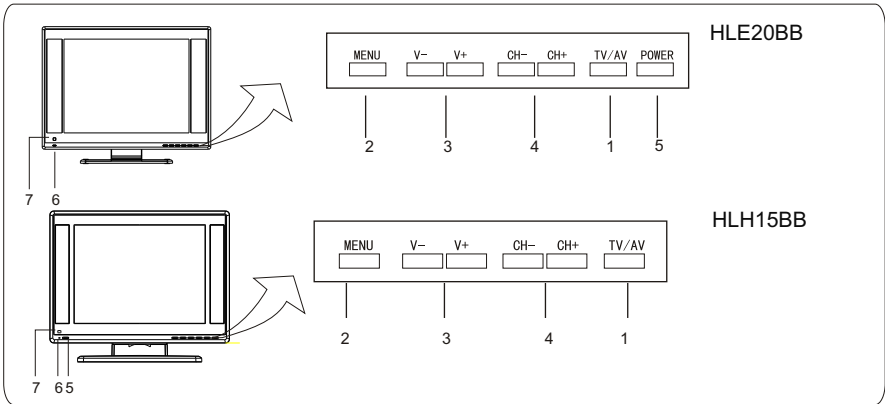
Thank you for purchasing our LCD-TV.

Before connecting the LCD-TV and turning on the power, please read this book carefully. Please keep this book for later use. If the unit is disabled by an electrostatic discharge, please turn off the power to the unit and turn it back on to reset.

# CONTENT

Front Panel Controls.....	2
Connection Options.....	3-4
Remote Control Key Functions.....	5
Remote Control .....	6
Installing Batteries.....	6
Connection Instructions.....	7
Grounding.....	7
External equipment Connections.....	7
Antenna Connection.....	7
PC Setup.....	8
VCR Setup.....	9
Cable TV Setup.....	10
External AV Source Setup.....	10
Basic Operating Instructions.....	11
Turn on the LCD-TV.....	11
Audio Control.....	11
Mute.....	11
Select the TV Channel You Want.....	12
Picture Mode.....	12
Program Scan.....	12
Sleep.....	12
Menu Operations.....	13
Picture Menu Options.....	13
Picture Menu Options Continued.....	14
Sound Menu Options.....	14
Sound Menu Options Continued.....	15
Function Menu Options.....	16
Function Menu Options Continued.....	17
Adjust Menu Options.....	17
Tuning Menu Options.....	18
Tuning Menu Options Continued.....	19
Parental Menu Options.....	19
Parental Menu Options Continued.....	20-22
Troubleshooting Guide.....	23
Specifications.....	24
Warranty .....	25

# Front Panel Controls

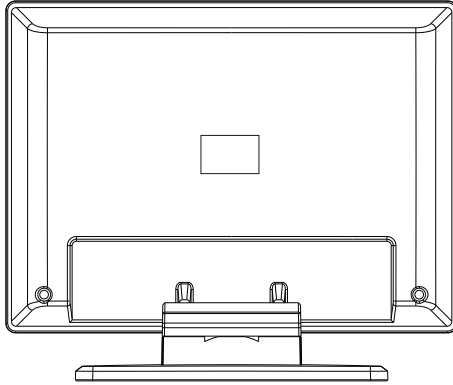


## Control Panel Function

1. TV/AV Selects the input signals: PC/COMPONENT/AV/SV/TV
2. MENU Press to select the main menu
3. VOL- (V-) Volume down / Left orientation to adjust the item in the OSD  
VOL+ (V+) Volume up / Right orientation to adjust the item / Press to enter
4. CH- TV channel down / to select the item in the menu  
CH+ TV channel up / to select the item in the menu
5. Power supply switch
6. Power indicator  
Illuminates red in standby mode, illuminates green when the display is turned on
7. Remote Sensor Receives the signals from the remote control

# Connection Options

HLH15BB/15HL25S/HLE20BB/20AL25S



(The figure is just for reference, please see actual unit.)

## **DC Power Cord Socket**

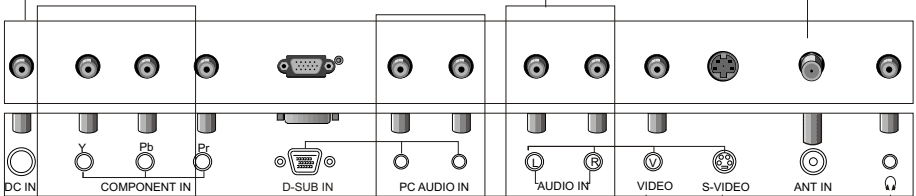
This TV operates on DC power. The voltage is indicated on the specifications page. Never attempt to operate the TV on ac power

## **AV/S-VIDEO/COMPONENT Audio Input**

Connect audio output from an external device to these jacks

## **Antenna Input**

Connect cable or antenna signals to the TV, either directly or through your cable box.



## **DVD/DTV Input**

Connect a component device to these jacks

## **D-SUB Input**

Connect to the VGA 15PIN analog output connector of the PC display card for PC display purpose

## **PC Audio Input**

Connect the PC output connector from a PC to the audio input port

## **Earphone port**

## **S-Video Input**

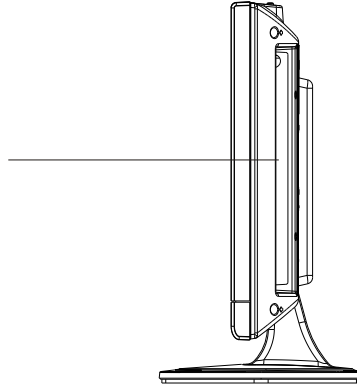
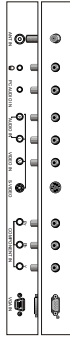
Connect S-Video out from an S-Video device to the jacks.

## **Video Input**

Connect video output from an external device to this jack

# Connection Options

HLH19BB/HLH19W



(The figure is just for reference, please see the real.  
And the AC power supply switch is on the back of the set)

## Antenna Input

Connect cable or antenna signals to the TV, either directly or through your cable box.

## PC Audio Input

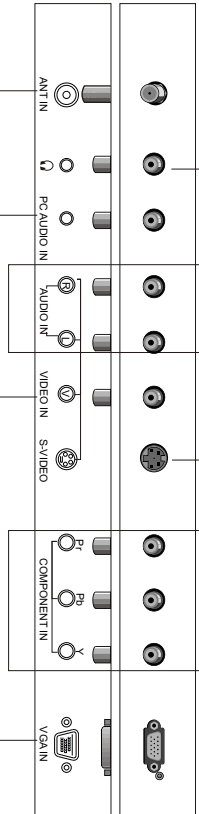
Connect the audio output from the pc to the audio input port

## Video Input

Connect video output from an external device to this jack

## VGA Input

Connect to the VGA 15PIN analog output connector of a PC display card to use set as a PC display



## Earphone port

## AV/S-VIDEO/ COMPONENT Audio Input

Connect audio output from an external device to these jacks

## S-Video Input

Connect S-Video out from an S-Video device to the jacks.

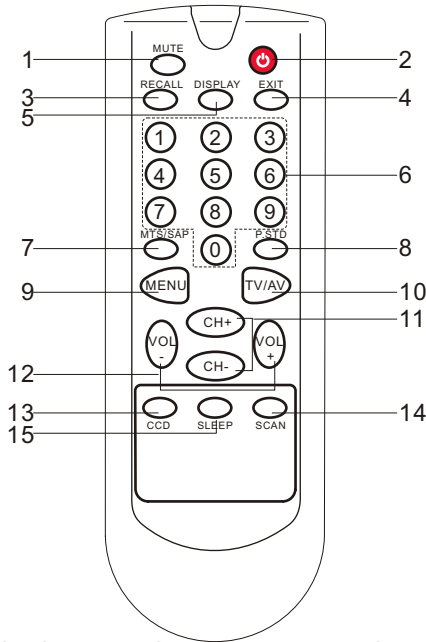
## DVD/DTV Input

Connect a component video/audiodevice to these jacks




# Remote Control Key Functions

When using the remote control, aim it towards the remote sensor on the TV



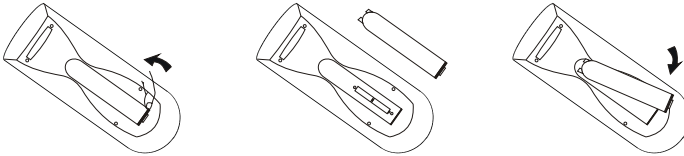
*Illustration of the keys on the remote control:*

1. MUTE	MUTE
2. 	Power supply switch
3. RECALL	Quick TV channel switch(return to the last channel)
4. EXIT	Menu exit
5. DISPLAY	Display current input signal information
6. 0-9	TV channel number select
7. MTS/SAP	Select MONO,STEREO, SAP in NTSC system
8. P.STD	Select picture mode: PERSONAL/STANDARD/MILD/FRESH
9. MENU	To display/exit the main menu
10. TV/AV	Select PC/COMPONENT/AV/SV/TV
11. CH+/CH-	TV channel up/down or select the item of the menu
12. VOL+	Volume up/ to select the main menu/to adjust the item/ to enter the submenu.
VOL-	Volume down / to select the main menu/ to adjust the item
13. CCD	Closed caption on/off
14. SCAN	Channel scan
15. SLEEP	TV sleep button

# Remote Control

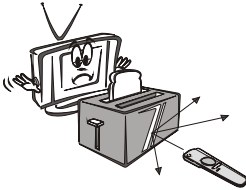
## Installing Batteries

1. Slide open the cover of the battery compartment on the back of the remote control.
2. Load two **AAA** alkaline batteries in the compartment. (plus and minus poles to respective mark)
3. Replace the cover of the battery compartment.

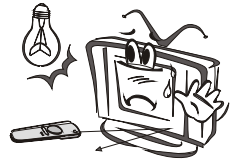


## Precautions

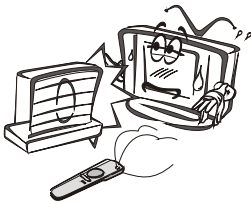
Make sure that there is no obstacle between the remote controller and television set.



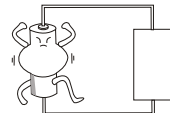
As strong light may interfere with the signals, change your position to operate the remote control if the television cannot be turned on or off as expected.



Keep the remote control away from heat sources or humid areas to ensure effective performance of the remote.



Make sure that two AAA alkaline batteries are loaded. The batteries must be of the same type, must be inserted properly, and must not be rechargeable.



# Connection Instructions

The connection instructions shown here are for model HLH15BB for reference only. May differ with the other models mentioned.

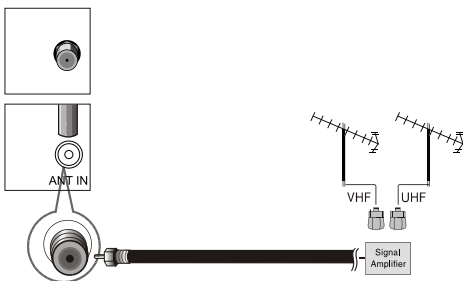
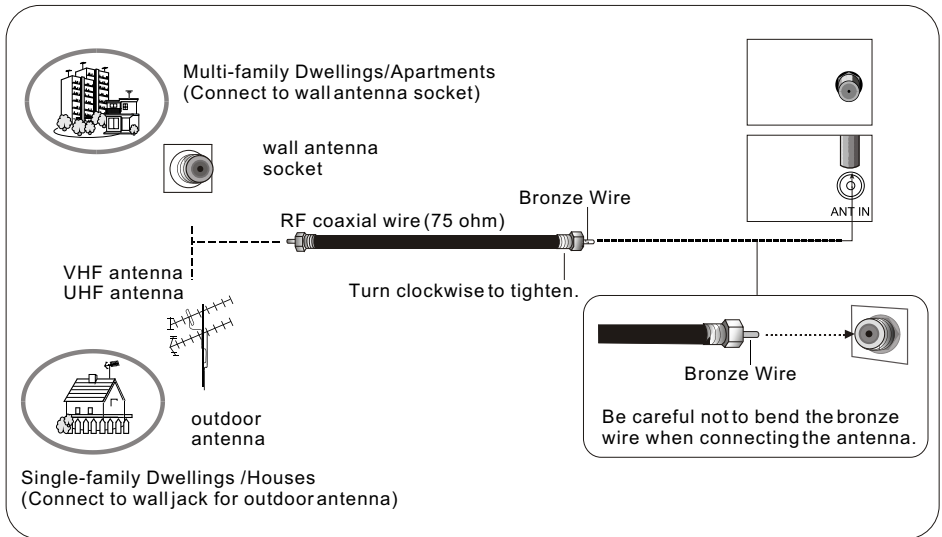
## Grounding

Ensure that you connect the grounding / earth wire to prevent possible electric shock. If grounding methods are not possible, have a qualified electrician install a separate circuit breaker. Do not try to ground the unit by connecting it to telephone wires, lightening rods, or gas pipes.

## External Equipment Connections

### Antenna Connection

- Antenna or Cable Service with a Cable Box Connections
- For optimum picture quality, adjust antenna direction if needed.



- To improve picture quality in a poor signal area, purchase and install a signal amplifier.
- If the antenna needs to be split for two TV' s, install a "2-Way Signal Splitter" in the connections.
- If the antenna is not installed properly, contact your dealer for assistance.

**NOTE: Cables shown are not included with the TV**

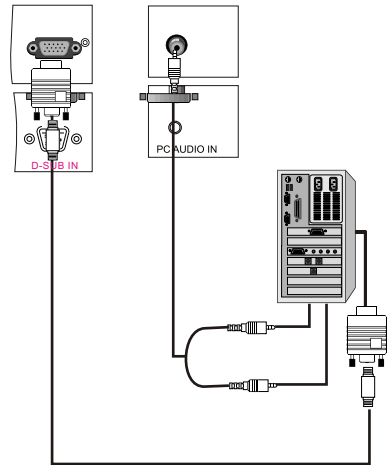
# Connection Instructions

## PC Setup

You can use your LCD-TV as a monitor for your personal computer using a VGA cable (not supplied).

### **Connection and use steps:**

1. Read the user guide supplied with your computer and ensure that it has a VGA connector;
2. Make sure that the power of the LCD-TV and the PC are off;
3. Connect a D type 15-pin VGA interface cable (not supplied) to the VGA video interface connector on the PC. Then connect the other end to the VGA video interface connector on the back of the LCD-TV. Tighten the screws on the VGA connectors once they are firmly connected;
4. Turn on the power of the LCD-TV first, and then turn on the power of the PC;
5. Press the TV/AV button to set the video input mode of the LCD-TV to PC-RGB;
6. Check the image on your TV. There may be noise associated with the resolution, vertical pattern, contrast or brightness in PC mode. If noise is present, change the PC mode to another resolution, change the refresh rate to another rate or adjust the brightness and contrast on the menu until the picture is clear. If the refresh rate of the PC graphic card can not be changed, change the PC graphic card or consult the manufacturer of the PC graphic card.



# Connection Instructions

## VCR Setup

- To avoid picture noise (interference), leave an adequate distance between the VCR and TV

### Connection and use steps:

1. Read the user guide supplied with your AV devices and ensure that it has Composite or S-Video connectors;
2. Make sure that the power of the LCD-TV and the AV device are off;

### Connection Option 1

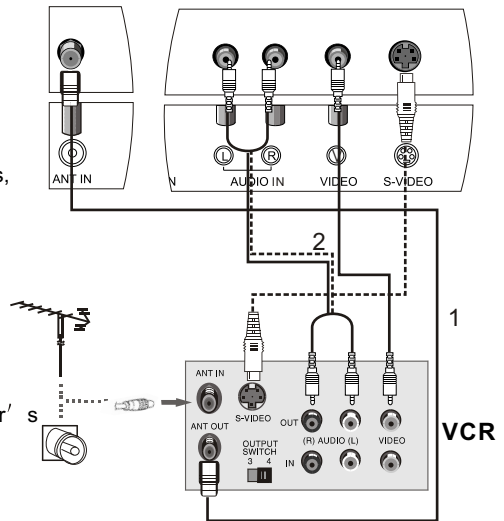
Set VCR output switch to 3 or 4 and then tune TV to the same channel number.

### Connection Option 2

1. Connect the audio and video cables from the VCR's output jacks to the TV input jacks, as shown in the figure.

When connecting the TV to VCR, match the jack colors (Video = yellow, Audio Left = white, and Audio Right = red). If you connect an S-VIDEO output from VCR to the S-VIDEO input, the picture quality is improved; compared to connecting a regular VCR to the Video input.

2. Insert a video tape into the VCR and press PLAY on the VCR. (Refer to the VCR owner's manual.)
3. Turn on the power of the LCD-TV first; and then turn on the power of the AV device;
4. Press the TV/AV button to set the video input mode of the LCD-TV to S-VIDEO mode or AV mode.



# Connection Instructions

## Cable TV Setup

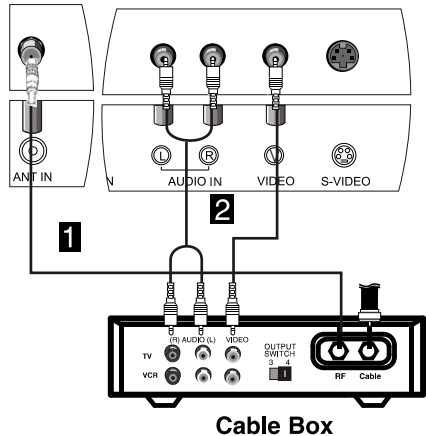
- After subscribing to a cable TV service from a local provider you can watch cable TV programming. The TV cannot display TV programming unless a TV tuner device or cable TV converter box is connected to the TV.
- For further information regarding cable TV service, contact your local cable TV service provider(s).

### Connection Option 1

1. Select 3 or 4 with channel switch on cable box.
2. Tune the TV channel to the same selected output channel on cable box.
3. Select channels at the cable box or with the cable box remote control.

### Connection Option 2

1. Connect the audio and video cables from the Cable Box's output jacks to the TV input jacks, as shown in the figure. When connecting the TV to a Cable Box, match the jack colors (Video = yellow, Audio Left = white, and Audio Right = red).
2. Select the input source by using the **TV/AV** button on the remote control.
3. Select your desired channel with the remote control for cable box.



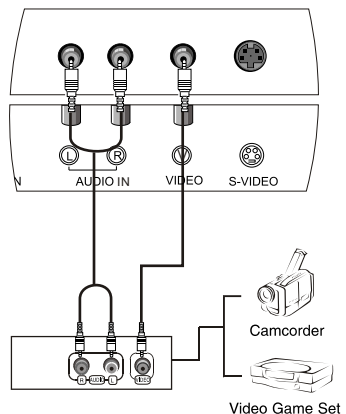
## External AV Source Setup

### How to connect

Connect the audio and video cables from the external equipment's output jacks to the TV input jacks, as shown in the figure. When connecting the TV to external equipment, match the jack colors (Video = yellow, Audio Left = white, and Audio Right = red).

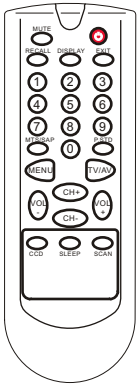
### How to use

1. Select the input source by using the **TV/AV** button on the remote control.
2. Operate the corresponding external equipment. Refer to external equipment operating guide.



# Basic Operating Instructions

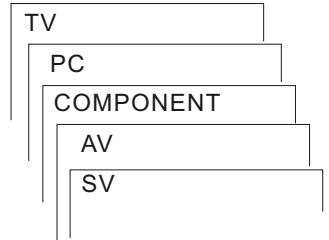
## Turn on the LCD-TV



When the **POWER** (⏻) button is pressed and the LCD-TV is turned on, the indicator light on the front of the LCD-TV changes from red to green. When the LCD-TV is turned off using the power button, the LCD-TV will go into standby mode and the indicator light turns red.

### Note:

The display of the input mode will disappear in 3 seconds.

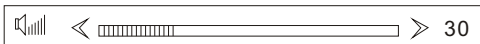


Switch Among Different Inputs: TV / PC / COMPONENT / AV / SV

Each time you press the TV/AV button, TV, PC, COMPONENT, AV, SV, will appear on the screen in order.

## Audio Control

1. Press the **VOL+** button to increase the volume. A number will appear on screen indicating the volume level.
2. Press the **VOL-** button to decrease the volume. A number will appear on screen indicating the volume level.



## Mute

1. Press the **MUTE** button to mute the sound temporarily. A mute icon appears on the screen.
2. Press the **MUTE** button or **VOL+/VOL-** again to restore the sound. The mute icon disappears.

# Basic Operating Instructions

## Select the TV Channel You Want

You can use the number keys on the remote control to directly select TV channels.

The LCD-TV can store up to **181** channels , and you can press the keys on the remote control or on the panel to make a selection.

## Picture Mode

Press **P.STD** button on the remote control for menu display . For desired mode as follows:

PERSONAL→ STANDARD→ MILD→FRESH

## Program Scan

Press **SCAN** button to scan through all the memorized TV channels. The scan will pause for about 2 seconds on each channel .

If you want to stop the function during autoscanning, simply press the **SCAN** button again .

## Sleep

Press **SLEEP** button to set the time : SLEEP 240-SLEEP 180-SLEEP 120-SLEEP 90-SLEEP 60-SLEEP 45-SLEEP 30-SLEEP 15-SLEEP OFF

This feature allows you to turn off the television after a pre-selected number of minutes



# Menu Operations

\* In this manual, the OSD (On Screen Display) may be different from your TV's because it is just an example to illustrate the TV operation. Press TV/AV to select the input source, and the menu for each source is different.

1. Press **MENU** button to display the main menu, and **VOL+ / VOL-** to select the main menu.
2. Press **CH+ / CH-** to scroll through the parameters
3. Press **VOL+ / VOL-** buttons to make changes to the parameters
4. Press the **EXIT** button to exit the menu

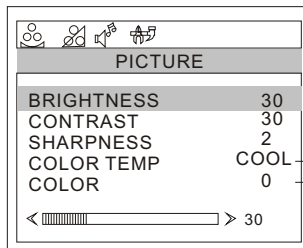
## Picture Menu Options

Picture quality can be adjusted for any input separately.

The picture quality on the screen can be adjusted as follows:

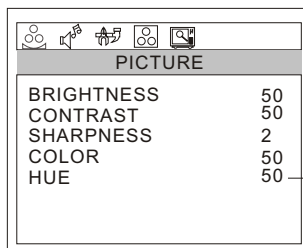
1. Press **MENU** button and **VOL+ / VOL-** until the following menu appears on the screen.

### PC/COMPONENT MENU



No available in component  
No available in PC

### TV/AV/SV MENU



Only available in NTSC system

Note: Symbols on top of the menu in this manual may be different from the actual set

# Menu Operations

## Picture Menu Options continued

2. Press **CH+/CH-** button to enter the picture menu and to go up and down to select the desired option .
3. Press **VOL+/VOL-** button to increase and decrease the level to adjust the selected option to your preference .
4. Repeat step 2 and step 3 until desired picture quality has been achieved .

### **Function:**

**BRIGHTNESS** :Adjust the brightness of the picture . By increasing the level, it will add more light to dark parts of the picture and by decreasing the level ,it will add more dark to light parts of the picture.

**CONTRAST** : Adjust the contrast of the picture . The contrast becomes higher as the number increase.

**SHARPNESS** : Adjust the amount of the detail enhancement , the image sharpness rises as the number increases (By increasing the level, it will show cleaner and clearer images and by decreasing the level, it will make picture smoother).

**COLOR** : Press **VOL+/VOL-** to adjust the color

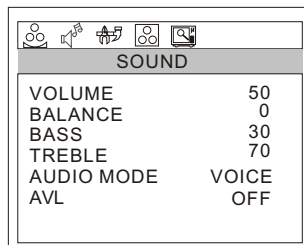
**HUE** : Adjust the tone of the picture . Appear and be adjusted only under NTSC mode

**COLOR TEMP** : Press to select the color temperature from **WARM/NEUTRAL/COOL** .

## Sound Menu Options

Sound can be adjusted for any input as follows:

1. Press **MENU** and **VOL+/VOL-** button until the following menu appears on the screen



SOUND	
VOLUME	50
BALANCE	0
BASS	30
TREBLE	70
AUDIO MODE	VOICE
AVL	OFF

# Menu Operations

## Sound Menu Options continued

You can adjust sound options to the levels you prefer.

2. Press **CH+/CH-** button to enter the audio menu and to go up and down to select the desired option .
3. Press **VOL+/VOL-** button to increase and decrease the level to adjust the selected option to your preference .
4. Repeat step 2 and step 3 until desired sound quality has been achieved ..

### **Function :**

**VOLUME :** Adjust the volume of your TV

**BALANCE :** Adjust the balance of the audio output from left to right . When indication value of balance increases toward +50 , sound of the left speaker becomes weaker . When indication value of balance decreases toward -50 , sound of the right speaker become weaker .

**BASS :** Adjust the bass of the sound . Can only be adjust under PERSONAL mode .

**TREBLE :** Adjust the treble of the sound . Can only be adjust under PERSONAL mode .

**AUDIO MODE :** Press **VOL+/VOL-** to select among PERSONAL, VOICE, MUSIC and THEATRE .

**AVL:** Automatic Volume Limit Control reduces the effect of high volumes by the limiting the same volume to all channels .

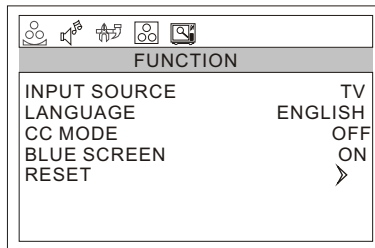
# Menu Operations

## Function Menu Options

### **Menu Language Selection:**

The menus can be shown on the screen in the selected language. First select your language.

1. Press **MENU** button and **VOL+/VOL-** until the following menu appears on the screen.



2. Press **CH+/CH-** button to enter the function menu and to go up and down to select the desired option .
3. Press **VOL+/VOL-** button to increase and decrease the level to adjust the selected option to your preference .
4. Repeat step 2 and step 3 until desired settings have been achieved .

Functions:

1. **INPUT SOURCE** : Display current mode . There are PC, COMPONENT , AV, SV, TV to display .

2. **LANGUAGE** : Press **VOL+/VOL-** to select the OSD language.

3. **CC MODE** : Press **VOL+/VOL-** buttons to select the Closed Caption options. Closed Captioning helps the hearing impaired with the broadcast program, as well as helping children learn how to read. A built in decoder displays the audio portion of a program as text on the screen when this option is selected.

**OFF**: When OFF is displayed on TV, it means CC MODE is turned off.

**CC1**: When CC1 is displayed on TV means CC MODE is turned on.

**CC2 to CC4**: For other modes of video related broadcast information.

**TT1**: For program guide and other information displayed by broadcasters.

(This blocks a large portion of the picture on your screen).

**TT2 to TT4** : For other modes of information displayed by broadcasters.

(This blocks a large portion of the picture on your screen).

**IMPORTANT**: Closed captioning availability entirely depends on broadcasters supplying the signal. Therefore, closed captioning might not always be available and language availability will differ by broadcast.

# Menu Operations

## Function Menu Options Continued

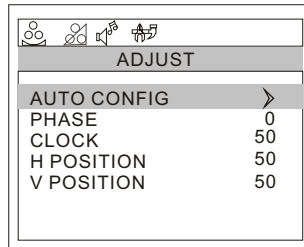
**Note:** Select **CC1** for full translation of the primary language such as English in your area. Select **CC2** for secondary language translation such as French or any other language that may be broadcast in your area.

4. **BLUE SCREEN:** Press **VOL+/VOL-** to select ON or OFF. To set On, the screen will be in blue screen after 3 seconds if there is no signal.

5. **RESET :** Press **VOL+** to reset some settings to the factory default .

## Adjust Menu Options

1. Press **MENU** and **VOL+/VOL-** button until the following menu appears on the screen



**Note:** This menu is only appears in PC mode.

2. Press **CH+/CH-** button to enter the adjust menu and to go up and down to select the desired option .
3. Press **VOL+/VOL-** button to increase and decrease the level to adjust the selected option to your preference .
4. Repeat step 2 and step 3 until desired quality has been achieved ..

Functions:

**AUTO CONFIG :** Is opted for adjustment of picture location frequency and phase parameters .

**PHASE :** Removes any horizontal distortion and clears or sharpness the displayed characters .

**CLOCK :** Adjust the TFT-LCD to match the PC input source

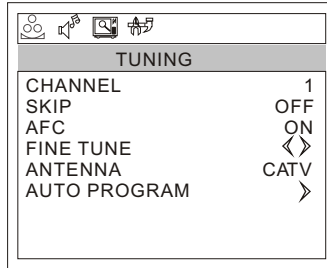
**H-POSITION :** Picture horizontal position adjust

**V-POSITION :** Picture vertical position adjust.

# Menu Operations

## Tuning Menu Options

1. Press **MENU** and **VOL+/VOL-** button until the following menu appears on the screen



**Note: This menu is only appears in TV mode.**

2. Press **CH+/CH-** button to enter the tuning menu and to go up and down to select the desired option .
3. Press **VOL+/VOL-** button to increase and decrease the level to adjust the selected option to your preference .
4. Repeat step 2 and step 3 until desired settings have been achieved .

Functions:

1. **CHANNEL** : Press **VOL+/VOL-** to go up and down to set the channel position. The display will show the current playing channel.

Channel Coverage by Antenna:	
Antenna Type	Channel Range
VHF	2-13
UHF	14-69
CATV	1-125

2. **SKIP** : If you want skip a channel , press **VOL+/VOL-** to select **ON** , and this channel will be skipped next time when you press **CH+/CH-** . You can press the digit buttons to select the channel . If you want to restore the channel , select **OFF** .
3. **AFC** : Auto frequency control. Select **ON** to improve the image quality .

# Menu Operations

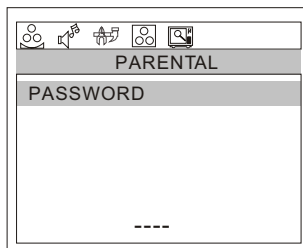
## Tuning Menu Options Continued

4. **FINE TUNE** : If the image and / or sound received is not very good , you can press **CH+/CH-** to select FINE TUNE in the menu . Then , press **VOL+/VOL-** button to adjust and improve the image quality. Do not use this feature unless reception is poor.
5. **ANTENNA**: Press **VOL+/VOL-** button to select AIR (VHF and UHF) and CATV reception preference.
6. **AUTO PROGRAM** : Auto search and save the channel .Press the **VOL+** button to start automatic search function operation. All channels now available will be automatically preset in order .After the search has finished , the first program number will display on the screen. This search automatically adds only the active channels in your area to the TV's memory. It deletes any channels on which there is no broadcast or a poor signal.

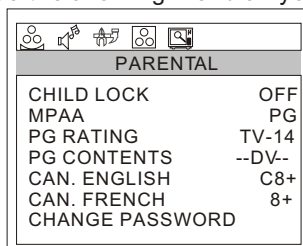
Note: The AUTO PROGRAM function will scan the channels on the selected antenna input. If the TV is connected to cable, please select CATV under ' ANTENNA ' sub menu.

## Parental Menu Options

1. Press the **MENU** and **VOL+/VOL-** button until the following menu appears on the screen .
2. Press **CH+/CH-** button to select **PASSWORD** .



3. Then input the password **0000**. It will bring parental menu display on the screen. You will see the following menu on your screen:



# Menu Operations

## Parental Menu Options Continued

This function enables you to block certain TV channels in accordance to the requirements established by the FCC.

2. Press **CH+/CH-** button to enter the PARENTAL menu and to go up and down to select the desired option .
3. Press **VOL+/VOL-** button to go into PG RATING and MPAA  
Press **VOL+/VOL-** button to set the CHILD LOCK ON and PARENTAL LOCK OFF.
4. Repeat step 2 and step 3 until desired quality has been achieved .

**CHILD LOCK:** Child Lock off means the lock function is turned off . If the Child Lock is in "off" mode then function will not be active to accept the broadcast signal. Child Lock on means the lock function is turned on. If the lock is in the "on" mode then function is activated to accept the broadcast signal.

**MPAA:** When MPAA rating is selected, you could select OFF/G/PG/PG-13 R/NC17/X .

**PG RATING:** Select the TV Rating option. You could select from OFF/TV-Y/TV-Y7/TV-G/TV-PG/TV-14/TV-MA.

**PG CONTENTS:** Press to set the grade of the program . When there is this grade of program , this program will not be display .

**CAN. ENGLISH:** Select this option. You could select from OFF/E/C/C8+/G/PG/14+/18+ .

**CAN. FRENCH:** Select this option. You could select from OFF/E/G/8+/13+/16+/18+ .

**CHANGE PASSWORD:** The "Default Password" preset by the manufacturer is "0000" . If you want to change the preset password to your own password, just choose any four digits that can be easily remembered and set. Once you set password for a particular channel, that channel will be blocked.



# Menu Operations

## Parental Menu Options Continued

### PARENTAL LOCK TECHNOLOGY:

The "P.L. Technology" allows you to use U.S. and Canadian Movies and TV PROGRAMS Guide ratings to block certain types of TV programs and movies.

To clearly understand TV program rating codes, read the following information:

#### U.S. TV Program Ratings

- NR:** Not Rated-this means that programs are not rated or rating does not apply.
- TV-Y:** For all children - these types of rated programs are designed for a very young audience, including children from ages 2-6.
- TV-Y7:** Directed towards older children - this type of rated programs may include comedic violence of mild physical, or may frighten children under the age of 7.
- TV-G:** General audience - these types of rated programs contains little or no violence, no strong language, and little or no sexual dialogue and situations.
- TV-PG:** Parental Guidance Suggested-this type of rated programs may contain limited violence, some suggestive sexual dialogue and situations, and rare language.
- TV-14:** Parents strongly cautioned-these types of rated programs may contain sexual content, strong language and more intense violence.
- TV-MA:** Mature audience only these types of rated programs may contain sexual violence, explicit sexual content and profane language.
- FV:** This type of rated programs contain Fantasy and cartoon violence.
- Violence:** This type of rated programs contain violence.
- S:** This type of rated programs contain sex.
- L:** This type of rated programs contain offensive language.
- D:** This type of rated programs contain dialogue with sexual content.

# Menu Operations

## Parental Menu Options Continued

To understand clearly about movie rating codes, read the following list:

U.S. Movie Rating Chart

**NR:** This means movie is not rated yet. It is pending government rating approval.

**G:** General Audience-this type of movie rating means all ages admitted to see the movie.

**PG-13:**Parents Strongly Cautioned - this type of movie rating means some material may not be appropriate for children under 13.

**R:** Restricted- This type of movie rating means children under 17 of age require to be with parent or guardian.

**NC-17:**This type of movie rating means no one 17 and under admitted.

**X:** This type of movie rating means adults only.

To clearly understand Canadian program rating codes, read the following list:

### Canadian English Rating Chart

**E:** These types of programs are exempt from the rating system. Exempt programming includes: news, sports, documentaries, talk shows, music videos, and variety of other programs.

**C:** This type of programming is intended for children under age 8. There is no offensive language, nudity or sexual content.

**C8+:**These types of rated programs are generally considered acceptable for children 8 years and over. There is no profanity, nudity or sexual content.

**G:** These types of rated programs are generally suitable for all audiences.

**PG:** Parental Guidance Suggested -in these types of rated programs, some material may not be suitable for children.

**14+:** In these types of rated programs, some content may not be suitable for viewers under the age of 14. Parents are strongly cautioned not to have their children view 14+ rated programs by pre-teens and early teens.

**18+:** Adults Only-these types of rated programs are only for adult viewers only.

# Troubleshooting Guide

- To assist in location possible faults use help guide below.

## Troubleshooting

No picture, no sound	Verify if the television is properly plugged in. Verify if the television is properly supplied with power. Verify that electricity is available.
Blank screen	Verify if correct signals are input. Press TV/AV button to change signal input to TV input. Restart the television if power supply is interrupted.
No sound	Press MUTE button and verify if Mute mode is on. Switch to another channel and verify if the same problem happens. Press VOL+ button to see if the problem can be solved.
Poor sound	Verify if sound system is functional. Refer to chapter on adjusting.
No picture in some channel	Verify if correct channel is selected. Adjust the antenna. Make adjustments by FINE TUNE
No color for some channel program (black and white)	Verify if the same problem exists in other channels. Check picture and sound systems. Refer to relative instructions in the Manual for color adjust.
Spots with some or all pictures	Verify if the antenna is correctly connected. Verify if the antenna is in good condition. Make fine adjustment of channel.
Abnormal functioning	Disconnect the television from power supply and, 10 seconds later, reconnect to the power supply. If the problem still exists, contact an authorized service depot for technical assistance.

### Note:

1. If the fault can not be repaired using the above guide consult with your local authorized service center.
2. The TV set must only be repaired by a qualified registered service person. Never attempt to remove the back cover as the TV set has dangerous voltages levels inside that may be fatal or cause fire.

# Specifications

Model	HLH15BB/15HL25S	HLE20BB/20AL25S
Picture, sound system	NTSC-M	
Audio output	$\geq 1.5W+1.5W$	
External input port	AV input PC input S-VIDEO input PC audio input Headphone output YPbPr input Antenna input DC input	
AC-DC adapter	Input: 110V~ 60Hz, Output: $\text{---}$ 12V	
Power consumption	$\leq 48W$	$\leq 60W$
Temperature	Working: $5^{\circ}\text{C}\sim 35^{\circ}\text{C}$ Storage: $-10^{\circ}\text{C}\sim 45^{\circ}\text{C}$	
Accessories	Remote control Batteries User manual AC-DC adapter	

Model	HLH19BB/HLH19W	
Picture, sound system	NTSC-M	
Audio output	$\geq 1.5W+1.5W$	
External input port	AV input PC input S-VIDEO input PC audio input Headphone output YPbPr input Antenna input	
Power requirements	120V~ 60Hz	
Power consumption	$\leq 60W$	
Temperature	Working: $5^{\circ}\text{C}\sim 35^{\circ}\text{C}$ Storage: $-10^{\circ}\text{C}\sim 45^{\circ}\text{C}$	
Accessories	Remote control Batteries User manual	

## NOTE

Design and specifications are subject to change without notice.  
Dimensions quoted in this manual are approximate.

## Warranty

This Haier brand product, when shipped in its original container, will be free from defective workmanship and materials, and Haier agrees that it will, at its option, either repair the defect or replace the defective product with a new or re-manufactured equivalent at no change to the purchaser, for parts or labor for the periods set forth below.

This warranty does not apply to the appearance of the product or the exterior of the product, which has been damaged or defaced, altered or modified in design or construction. It does not apply to the additional excluded items set forth below.

The warranty commences on the date the item was purchased and the original purchase receipt must be presented to the authorized service center before warranty repairs are rendered.

The limited warranty described herein is in addition to whatever implied warranties may be granted to purchasers by law. ALL IMPLIED WARRANTIES INCLUDING THE WARRANTIES OF MERCHANTABILITY AND FITNESS FOR USE ARE LIMITED TO THE PERIOD(S) FROM THE DATE OF PURCHASE. Some states do not allow limitations on how long an implied warranty lasts, so the above limitation may not apply to you.

Neither the sales personnel of the seller nor any other person is authorized to make any warranties other than those described herein, or to extend the duration of any warranties beyond the time period described herein on behalf of Haier.

The warranties described herein shall be the sole and exclusive warranties granted by Haier and shall be the sole and exclusive remedy available to the purchaser. Correction of defects in the manner and for the period of time described herein shall constitute complete fulfillment of obligations and responsibilities of Haier to the purchaser with respect to the product and shall constitute full satisfaction of all claims, whether based on contract, negligence, strict liability or otherwise. In no event shall Haier be liable, or in any way responsible, for any damages or defects in the product which were caused by repairs or attempted repairs performed by anyone other than an authorized service center or dealer, nor shall Haier be liable, or in any way responsible, for incidental or consequential economic or property damage. Some states do not allow the exclusion of incidental or consequential damages, so the above exclusion may not apply to you.

**THIS WARRANTY GIVES YOU SPECIFIC LEGAL RIGHTS. YOU MAY ALSO HAVE OTHER RIGHTS WHICH VARY FROM STATE TO STATE.**

Warranty period for this product: 90 days labor and one year parts .

Additional items excluded from warranty coverage: non-rechargeable batteries.  
What to do to obtain service or to obtain product literature, accessories, supplies or customer assistance: Simply call 1-877-337-3639.  
Be sure to have proof of purchase.

# Haier

V0.3  
0090508051A

## Free Manuals Download Website

<http://myh66.com>

<http://usermanuals.us>

<http://www.somanuals.com>

<http://www.4manuals.cc>

<http://www.manual-lib.com>

<http://www.404manual.com>

<http://www.luxmanual.com>

<http://aubethermostatmanual.com>

Golf course search by state

<http://golfingnear.com>

Email search by domain

<http://emailbydomain.com>

Auto manuals search

<http://auto.somanuals.com>

TV manuals search

<http://tv.somanuals.com>