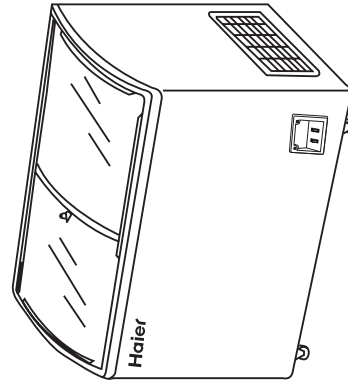


Haier

SD - 242G/272G/302G

ARC TRANSPARENT DOOR
CHEST FREEZER

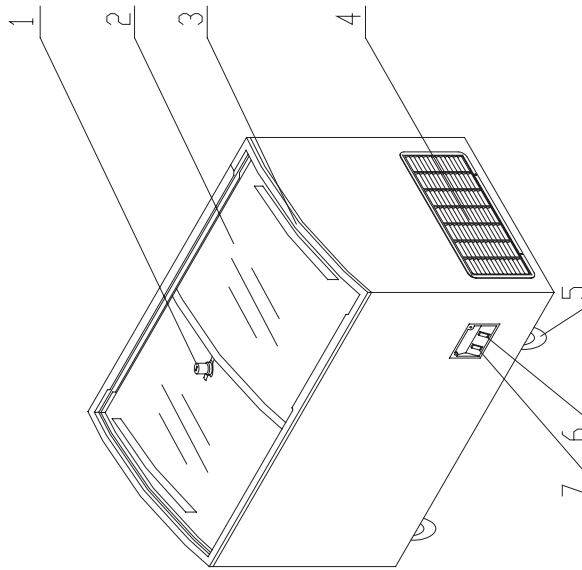
INSTRUCTION:



0070501547

Index:

- Product feature
- Transportation and installation
- Adjustment and running
- Safety cautions
- Freezing methods
- Problem answer
- Main function index
- Electric diagram



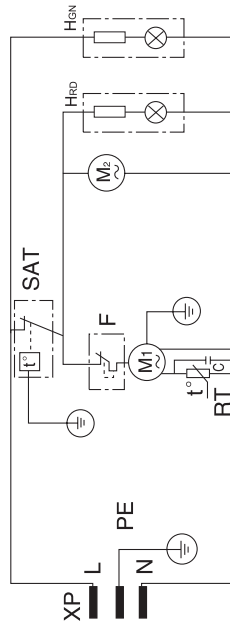
1. Lock
2. Glass sliding door
3. Plastic frame
4. Grill for compressor compartment
5. Castor
6. Running indicator
7. Power-on indicator

- Read carefully before using the freezer.
- Keep it for further reference.

MAIN FUNCTION INDEX

Model	SD-302G	SD-272G	SD-242G
Climate classification	ST	ST	ST
Anti-shock safety classification	I	I	I
Volume	246 l	221l	196 l
Rated voltage	220V	220V	220V
Rated frequency	50Hz	50Hz	50Hz
Power input	252W	260W	260W
Power consumption	2.70kW·h/24h	2.65kW·h/24h	2.60kW·h/24h
Refrigerant	R134a 306g	R134a 220g	R134a 210g
Weight	68kg	61kg	57kg
Dimension	1204x634x880mm	1104x634x880mm	1004x634x880mm

ELECTRIC DIAGRAM:



- XP-Power plug
- F-Motor protector
- M2-Cooling fan
- RT-Starting relay
- C-Capacitor
- HGN-Power-on indicator
- SAT-Thermostat
- M1-Compressor
- HRD-Running indicator

In case the product is improved, please find the renewed technical data and the circuit diagram at the back of the freezer.

Solutions for problems

Troubles	Possibilities	For the trouble	Check up	Solutions	Remarks
Compressor does not work	Power is off	The fuse is broken The connection between plug and socket is not good	Check the fuse Check the fuse	Change the fuse Repair or change the socket	If it is necessary, please contact with the maintenance worker for repair
		The circuit of input and output is out of use	Make sure whether the power is on	Check the circuit by electric instrument	
		The thermostat knob is not on the proper position	Check the thermostat	Rotate the thermostat to the proper position	Ask for professional to repair
Compressor keeps on working		Frost on the evaporator is too thick	Make sure whether the frost is much thicker than 6-8 mm	Defrost regularly	
		The door is being opened to frequently		Reduce the times for opening	
		It has been stored too much food at one time		Take out part of the food the order for putting food inside	
	The temperature inside is O.K.	The ambient temperature is too high the thermostat indicating at the small number	Make sure whether the knob is indicating at the "5-6"	Adjust the thermostat knob	The thermostat knob on "2-4" is better
		The thermostat does not work		Change the thermostat	Ask for maintenance worker
Too noisy		The floor is not level	Make sure whether the freezer is level	Put pat under the freezer	
		The screw in fan and condenser is loose	The screw is loose	Rotate the fixed screw	
		The refrigerating circuit touches each other		Separate them	

PRODUCT FEATURE

1. This series freezer newly manufactured by our company is third generation for commercial purpose. It combines the essence of Europe and Asian designing skills, adopts several unique technologies in China for the advantages as elegant shape, quick refrigerating, low power consumption. It is widely used to show and sell all kinds of frozen food, most ideal for food and beverage trade.
2. Inclined big arc streamline lid, which is the firstly adopted in China, has more attractive showing effect and can give you a clear sight of the food inside.
3. Wide temperature zone can make it work as usual and keep the fresh taste of the food when the ambient temperature reaches 38 °C .
4. Toughened coated heat-reflect glass can save on energy and power.
5. Latest condensation design can eliminate the condensation on the freezer lid.
6. Special lock design is safe and reliable.

TRANSPORTATION AND INSTALLATION

1. Place stably and have the packing bottom removed in order to decrease the shock and noise. The inclined angle between the compartment body and ground should be no more than 45° to avoid the sliding door out from the sliding slot.
2. Certain space should be left around the freezer for ventilation.
3. Place the freezer far from heat source and do not expose under direct sunshine.
4. Such places are forbidden: moisture or easy to be splashed by water.
5. Do not place the freezer in environment reliable to freeze.

ADJUSTMENT AND RUNNING

1. Adjustment of temperature: the store temperature can be adjusted by the thermostat inside the left of the compartment. The thermostat should be adjusted according to different environment temperature and the food. First open the separate palisade of storeroom and rotate the knob of the thermostat with a coin. The knob rotates clockwise from "1" to "6" and the inside temperature turns down in summer (counter - clockwise rotation) and up in winter (clockwise rotation). It is usually fixed to a certain point before leaving the factory. Do not adjust too often or touch the other parts.
2. Trial running: plug in and wait, the marked drop in temperature within half an hour, indicates that the freezer work properly. The compressor has run for a period of time (6 hours in summer, 4 hours in winter), put the food in.

SAFETY CAUTIONS

1. The freezer should use single 3-hole socket and proper fuse(5A). The multi-use outlet is prohibited.
2. You should install suitable automatic voltage regulator not less than 500w when the voltage beyond the range from 187V to 242V.
3. In case the wire needs to be lengthened, the cross section of the wire must be larger than 0.75 mm².
4. The sockets of the freezer should be connected to stable ground wire. It is strictly forbidden that the ground wire is connected to such facilitates as water pipe, gas pipe and so on.
5. Once power cut off, wait for at least 5 minutes before plugging in again to avoid damaging the compressor or the system.
6. Do not put the combustible, explosive or volatile dangerous articles, heavily corrodent acid or alkali or liquid in glassware into the freezer.
7. Children are prohibited to play in the freezer to avoid attacks to the inner container or accident incurred.

FREEZING METHODS

1. Do not put too much food into the freezer or exceed the load line.
2. Proper spaces should be allowed among foods to ensure cooling air circulation.
3. Never use corrosive detergent, hot water, washing powder or acid to clean the freezer.
4. Do not use water to scour the freezer. Do not use hard brush or steel wire brush to clean the freezer.
5. Do not use metal or sharp tools for defrosting.
6. Do not use electric heater to heat up and defrost.

PROBLEM ANSWER

1. The design and production comply with the relative security standard of china. When you find it does not work as usual, please examine and handle it according to the following figure first. If the situation does not change yet, you must contact with our after-sale service center or our special repairsector to examine and repair.

The following are not breakdown:

Phenomenon	Cause and settlement
There is a sound of liquid flowing in the freezer	It is the sound of refrigerant flowing in the circulating pipeline of the refrigerating system. It is normal.
There is frost on the surface of the glass door occasional.	The air humidity is too high. Wipe it with a soft cloth only.
The refrigerating system does not work for a long time but the inside temperature is very low.	It is an indicator of high quality for its good insulation and low cooling scattering. It is normal.

Free Manuals Download Website

<http://myh66.com>

<http://usermanuals.us>

<http://www.somanuals.com>

<http://www.4manuals.cc>

<http://www.manual-lib.com>

<http://www.404manual.com>

<http://www.luxmanual.com>

<http://aubethermostatmanual.com>

Golf course search by state

<http://golfingnear.com>

Email search by domain

<http://emailbydomain.com>

Auto manuals search

<http://auto.somanuals.com>

TV manuals search

<http://tv.somanuals.com>