

Haier

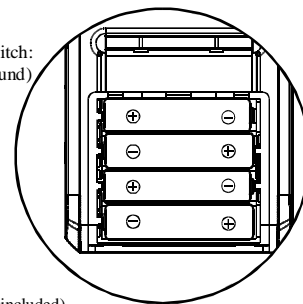
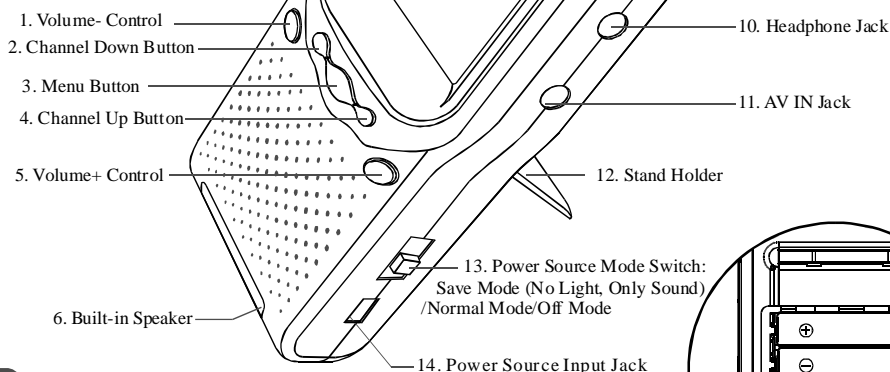
MODEL NO.: LCD258

Instruction Manual

PORTABLE 2.5" TFT LCD COLOR TELEVISION SET



1. General Part



(4xAAA size Batteries are not included)

Dear Customers:

- ◆ Thanks for your purchase of the HAIER product.
- ◆ To ensure the best efficiency and safety of the product, please read carefully this manual before your connection, operation or adjustment and keep your manual well with you.

2. User Safety Instructions

Please use specified voltage for this unit. Damage or malfunction might be caused when the range is exceeded.

Important:

- Using incorrect voltage may cause damage or malfunction of the TV.
- Please operate or connect the unit according to the manual.
- Please do not use thinner or other chemical cleaners.
- Please use a piece of soft cloth to wipe off the dirt on the unit.
- Do not expose the TV set to extreme temperature.
- The storage temperature of the unit is -20°C to 70°C.
- The operation temperature of the unit is 0°C to 60°C.
- The environmental humidity of the unit is 0% to 80%.

Warning: In order to prevent fire or electric shock, please do not wet or dampen the unit.



- Please use the accessories only recommended by the manufacturer.
- Please do not remove the cover in order to avoid the electric shock from the high voltage of the unit. When failure occurs, please call for maintenance technician to repair the unit.

Caution:

- For your own safety, you should never watch TV while driving a car.
- To avoid electric shock, this unit must not be exposed to dripping water or water splash.
- Minimum distances around the apparatus for sufficient ventilation.
- The ventilation should not be impeded by covering the ventilation openings with items, such as newspapers, table-cloths, curtains, etc.
- No naked flame sources, such as lighted candles, should be placed on the apparatus.
- The use of apparatus in tropical and / or moderate climates.
- Before scrapping the appliance, remove the batteries and place them in the appropriate battery collection container.
- Turn off the TV while thundering.

Menu Instruction

- =INSTALL CONTROL
 - Press MENU button on the unit to enter Auto Install menu. Do the control operation by pressing CH+/CH-.
 - Press MENU button again to stop installing.
- = CHANNEL CONTROL
 - Press CH+/CH- to select previous or next channel after installing end.
- =VIDEO CONTROL
 - Brightness
 - Press MENU knob again after the first pressing, the screen will display Brightness.
 - Then press CH+/CH- to adjust the picture to a position as desired.
- =VOLUME CONTROL
 - Press MENU knob the third time after displaying Brightness,
 - Press V+/V- knob to adjust volume to a suitable position.

3. Basic Characteristics and Functions

1. TV system:NTSC-M
2. Full Menu OSD on Screen Display
3. Auto Scan for TV VHF/UHF Channel
4. VCD/DVD AV Equipment Connection Port
5. Brightness Adjustment
6. Headphone jack
7. Built-in Battery Compartment
8. Built-in TV stand
9. This unit supports to OSD Language in English \ German \ Spanish \ Italian
10. Power Source: AC adaptor (normal: DC 6V)
11. Measurement: 3 $\frac{3}{20}$ (W)X 1 $\frac{1}{4}$ (D)X5 $\frac{1}{4}$ (H) INCH
12. Weight: Approx. 0.39LBS (not included batteries)
13. Connection terminals:
 - ①. Antenna Jack
 - ②. Headphone Jack
 - ③. AV Input Jack
 - ④. External Power Source Input Jack

4. Connection

Connection to the Power Source

- (1) Connect one round end of attached AC adaptor to the power source input jack (14) and the other end to the wall outlet at a suitable voltage.
- (2) Before set the rechargeable or unchargeable batteries, make sure that the batteries are in the correct poles and the adaptor has been unplugged. If plug in the adaptor before pulling out the batteries, the batteries will be charged the moment the set is turned on or turned off.

Use of Headphone

Connect the Headphone to "H" at (10) for private listening.
CAUTION : Listening at high power for a long time may damage user's ears.

8. General Troubleshooting

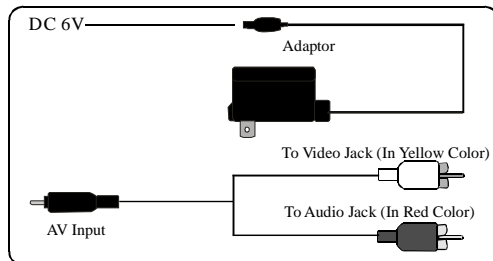
Check the following points before assuming malfunctions of the TV set:

Phenomenon	Reasons
No picture & sound	Improper connection of AC adaptor. The batteries are run down or the poles of the batteries are set adversely.
No picture	TV reception channel is not right and try to reset the unit. Relocate the TV set to the place where reception is better or select the sound key.
No sound	Sound volume is too low. The headphone has been plugged in or the signal is too weak.
Poor reception	TV rod antenna is not correctly adjusted or TV channel is not right.
Dark or blurred picture	The brightness & contrast are too low. The battery voltage is too low.

Haier
LCD258
Part No.: 605-01GA

3. Connection of the External AV Equipment

Plug the AV cable into the AV IN jack (Screen displays at AV status) (11) to enable the connection of external audio and video equipment.



5. Operation instructions

1. Connect the power adaptor (DC 6V) or batteries to the unit.
2. Select Menu for Auto Scan and storage the TV channels.
3. Press CH+ or CH- to select the desired TV channel; Keep pressing V+ and V- to set the sound to a suitable level.
4. To receive clearer pictures
Adjust the length and direction of the built-in TV rod antenna (7) to get an excellent picture.

If signal is too weak, you may not get the reception or receive unclear picture, noisy sound, twisted picture etc., even you have adjusted the rod antenna. In this case, you should plug the external antenna adaptor into the antenna jack (8) or relocate the TV set to the place where reception is better.

Unclear or unstable picture	TV rod antenna is not properly adjusted or in too weak signal reception area.
Picture moves up & down, blurs or folds over	TV rod antenna is not rightly adjusted. The signal reception is too weak or caused by signal reflection from the buildings nearby or mountains.
Interfered snow picture	The signal is interfered by car's engine, railway, high tension wires, neon signs or radio frequency.
No colour	Colour is not set properly.

9. Accessories List

Name	Quantity
AC Adaptor	1 piece
AV Cable	1 piece
Instruction Manual	1 piece
External Antenna Adaptor	1 piece
Headphone	1 piece

Caution:

When batteries are installed inside the battery compartment and the AC adaptor is plugged in, if you unplug the AC adaptor or the supply by batteries, the set will turn off. This is a normal phenomenon, because it need some time to resume to work. Turn the set off then turn it on, it will work normally.

6. Reset TV Channel

1. Press MENU at first, then press CH+/CH- knob then the unit will search automatically from VHF-L, VHF-Hand UHF.

VHF-L 1

2. The channel searching bar disappears after AUTO scan is finished.
3. Press Menu to release the Auto Scan for TV channel if you need.
4. Press CH- or CH+ to select the desired program.

7. General Specification

1. Description: Portable 2.5" TFT LCD Color TV Set
2. TV System: NTSC-M System
VHF: CH 2 - CH 6
VHF: CH 7 - CH 13
UHF: CH 14 - CH 69
3. Display device: Colour TFT-LCD
4. Display Screen Size: 2.5 inches (Diagonal: 2.45inches)
5. Video Input: 1Vp-p
6. Audio Output: $\geq 250\text{mW}$ (MAX)
7. Input Resistance: 75Ω
8. Power Consumption: $\leq 2.8\text{w}$
9. Resolution: 480(H)*234(V)
10. Dots Distance: 0.1035(W) X 0.160(H)mm
11. Visible Range: 49.68(H) X 37.44(V)mm

Printed in China

Free Manuals Download Website

<http://myh66.com>

<http://usermanuals.us>

<http://www.somanuals.com>

<http://www.4manuals.cc>

<http://www.manual-lib.com>

<http://www.404manual.com>

<http://www.luxmanual.com>

<http://aubethermostatmanual.com>

Golf course search by state

<http://golfingnear.com>

Email search by domain

<http://emailbydomain.com>

Auto manuals search

<http://auto.somanuals.com>

TV manuals search

<http://tv.somanuals.com>