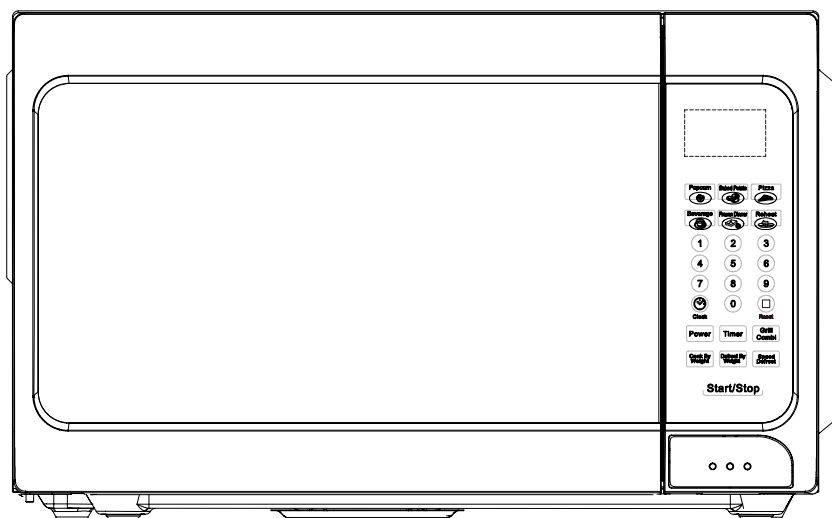


# Microwave Oven

Model: HDM-2070EG

Owner's Manual

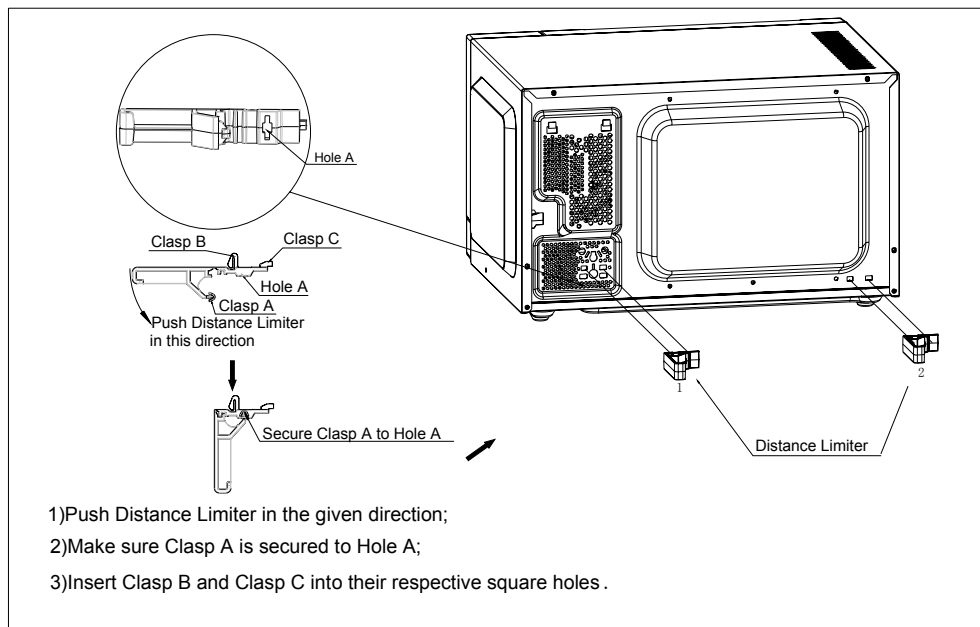
# Haier



*Please read this booklet carefully before fixing and using and save it for future reference.*

# Installation

1. Take out all the packing. if there is a safe film over the oven, tear it off before Use. Check carefully for damage. if any, immediately notify dealer or send to the manufacturer's service center.
2. Microwave ovens must be placed under dry and non-corrosiveness environments, kept away from heat and humidity, such as gas burner or water tank.
3. to ensure sufficient ventilation, the distance of the back of microwave to the wall should be at least 10 cm, the side to the wall should be at least 5 cm, the free distance above the top surface at least 20 cm.
4. the position of the oven shall be such that it is far from the TV, Radio or antenna as picture disturbance  
Or noise may occur.
5. the appliance must be positioned so that the plug is accessible, and must ensure a good grounding in case leakage, ground loop can be formed to avoid electric shock.
6. The microwave oven must be operated with the decorative door closed.
7. The microwave oven shall not be placed in a cabinet
8. The back of the oven must be placed against a wall
9. As there is manufacturing residue or oil remained on the oven cavity or heat element, it usually would smell the odor, even a slight smoke, It is normal case and would not occur after several times use, keep the door or window open to ensure good ventilation. So it is strongly recommended to set the oven to grill mode and operate dry several times.
10. To keep the microwave oven at a distance from the wall, it is necessary to install a distance limiter



## WARNING

Operating dry should only be conducted in the grill mode, it should NOT be conducted at combination mode

# Important safety instruction

When using Microwave oven, the following precautions must be observed:

1. This manual contains important installation and safety information. Please read all instructions carefully before using and keep it well for future reference
2. Make sure the voltage in your living area corresponds to the one shown on the rating label of the appliance, and the wall socket is properly grounded
3. To reduce the risk of fire in the oven cavity:
  - a. Do not overcook the food
  - b. Remove wire twist-ties from paper or plastic bags before placing bags in the oven
  - c. Do not use it for deep frying purpose by heating oil or fat, as temperature of oil cannot be controlled
  - d. If smoke is observed, switch off or unplug the appliance and keep the door closed in order to stifle any flames
  - e. When heating food in plastic or paper containers, keep an eye on the oven due to the possibility of ignition
4. To reduce the risk of burns and explosion:
  - a. Liquids or other foods must not be heated in sealed containers since they are liable to explode. Baby bottles fitted with a screw cap or teat are considered to be sealed containers
  - b. Microwave heating of beverages can result in delayed eruptive boiling, therefore care must be taken when handling the container
  - c. Potatoes, sausage and chestnut should be peeled or pierced before cooking. Eggs in their shell, whole hard-boiled eggs should not be heated in microwave ovens since they may explode, even after microwave heating has ended
  - d. The contents of feeding bottles and baby food jars shall be stirred or shaken and the temperature checked before consumption, in order to avoid burns
5. If either one of the following occurs:
  - a. door is damaged
  - b. door seals are damaged
  - c. oven is malfunctionedDo not operate the oven any further until it has been repaired by a competent person
6. If the supply cord is damaged, it must be replaced by the manufacturer, its service agent or similarly qualified persons in order to avoid a hazard
7. If the container becomes very hot after cooking, use gloves to handle it
8. to avoid steam burns, direct steam away from face and hands by slowly lifting the furthest edge of dish cover or microwave plastic wrap. For popcorn or oven cooking bags, open carefully away from the face
9. to prevent the turntable from breaking, allow the turntable (glass plate) to cool down before cleaning
10. Make sure the utensils do not touch the interior walls during cooking
11. Only use utensils that are suitable for use in microwave ovens
12. Do not use the microwave oven for storage of food or other non-food items
13. Do not operate the oven without any liquid or food inside the oven. This would seriously damage the oven
14. This appliance is not intended for use by persons (including children) with reduced physical, sensory or mental capabilities, or lack of experience and knowledge, unless they have been given supervision or instruction concerning use of the appliance by a person responsible for their safety
15. Only allow children to use the oven without supervision when adequate

instructions have been given so that the child is able to use the oven in a safe way and understands the hazards of improper use

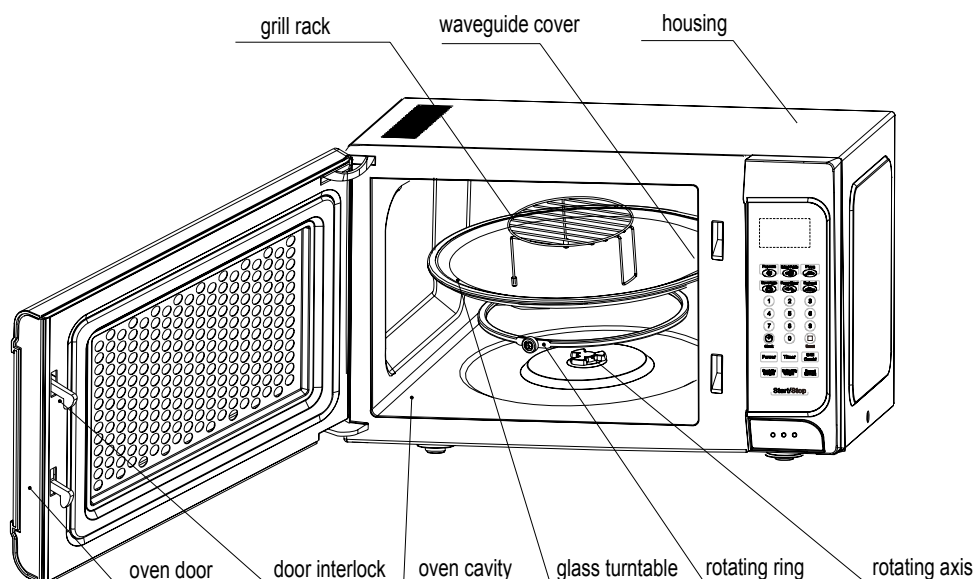
16. Children should be supervised to ensure that they do not play with the appliance
17. When the appliance is operated in the combination mode, children should only use the oven under adult supervision due to the temperatures generated
18. The temperature of accessible surfaces may be high when the appliance is operating
19. During use the appliance becomes hot. Care should be taken to avoid touching heating elements inside the oven
20. Accessible parts may become hot during use. Young children should be kept away
21. Any accessory not recommended by the manufacturer may cause personal injury
22. Do not use the microwave oven outdoors
23. This appliance is not intended to be operated by means of an external timer or separate remote-control system
24. The lamp inside the product is used for lighting of the product. This lamp is not suitable for household room illumination
25. Device Group 2 Class B  
This device is a Group 2 because it intentionally produced the radio frequency energy to treat the material and is intended to be used in a local home or a facility connected directly to the distribution of electricity at low voltage supplying domestic premises (Class B)

## CAUTION

Household use only

## PRODUCT INTRODUCTION

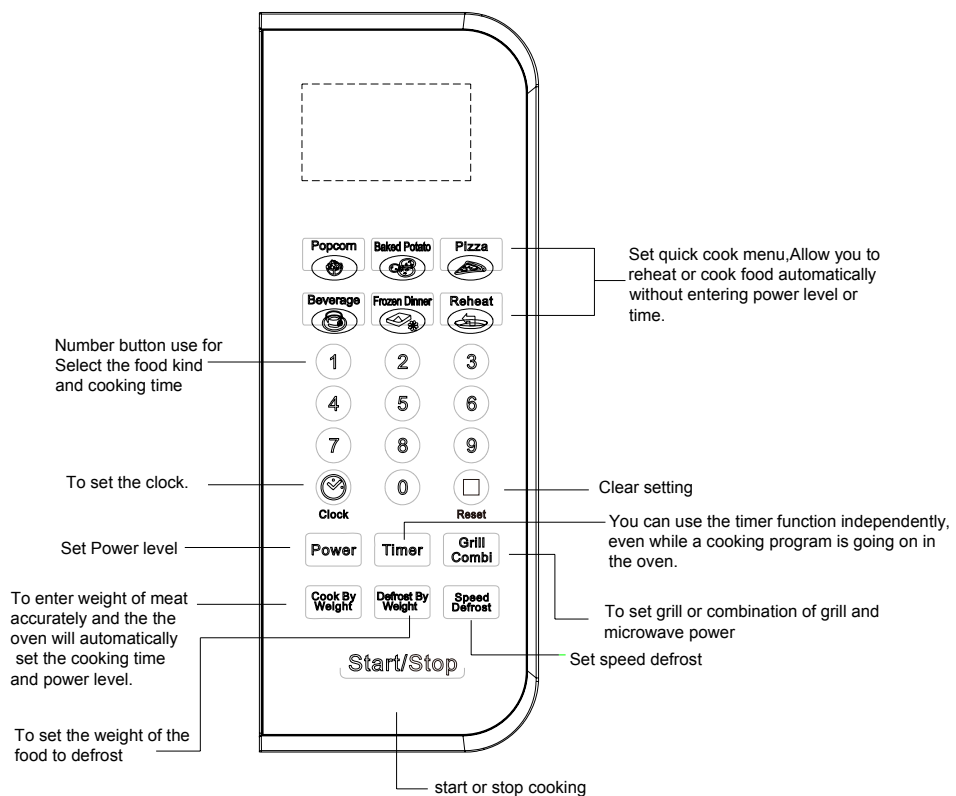
### 1. Appearance and structure diagram



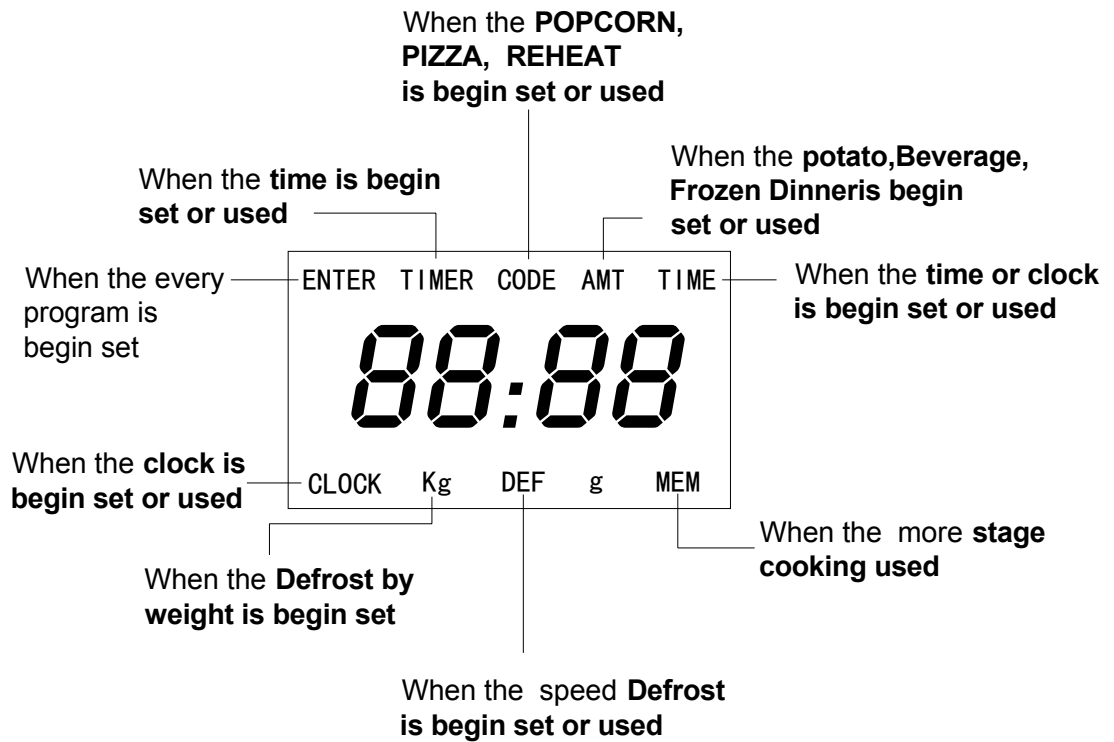
# WARNING

- a. Do not remove the Waveguide cover during cleaning
- b. Make sure the Waveguide cover installation right and no damage during cooking

## 2. Control pannel



## 3. LED instruction and display



## Function and Operation method



### CAUTION

The LED flashes 3 times when plugged in power supply. Then it flashes “:”, prompting you to input the cooking menu and time. To reduce the number of Open the door during cooking.

### 1. Beeps during oven setting

**ONE BEEP:** Oven accepts the entry.

**TWO BEEPS:** Oven does not accept the entry, check and try again.

### 2. Microwave cooking

After plugging power outlet, the LED will display “ENTER, TIME, CLOCK, “:” is flashing, the system will enter state of setting clock. Touch the RESET key or waiting for 30 seconds, the “ENTER, TIME” will disappear, “CLOCK” and “:” will rest, the appliance will enter standby state.

### 3. Setting the clock

1. on standby state, touch **CLOCK** key.

**Note:** on the state of setting clock the step can be omitted.

2. Use the number keys to enter the correct time. You must touch at least three numbers to set the clock (one for hour and two for minutes).

3. Touch **CLOCK** key again. the system will enter clock state.

**Note:** This is a 24 hour clock. When the oven is first plugged in or when power resumes after a power interruption, the display will show **ENTER, CLOCK, TIME**, if you prefer to not have the clock displayed, touch **RESET** key. You can check the clock time while cooking is in progress by touching the **CLOCK** key.

| For example: to set 12:30 |  |              |
|---------------------------|--|--------------|
|                           | Depress  | Display      |
| 1                         | After power-up, the colon flashes, then Depress <b>Reset</b> button once or wait for 30sec | :            |
| 2                         | Press the button of “ 1”, “ 2”, “ 3”, “ 0”   | <i>12:30</i> |
| 3                         | Press the <b>Clock</b> button to confirm it  |              |

### 4. Setting the oven timer

1. Touch **TIMER** key.

2. Enter the amount of time you want to count down by touching the number keys. Digit time is in minutes and seconds and set left to right. Set one digit (a 5 for 5 seconds) or up to four digits (2405 for 24 minutes, 5 seconds). The maximum number can be entered is 99min, 99sec.

3. Touch **START/STOP** key confirm it



## CAUTION

a. Time countdown can be seen in display for 3 seconds before clock or cooking time is returned to display.

b. Touch **TIMER** and then touch **RESET** to cancel **TIMER** during timing process.

## 5. Setting cooking times and power levels

### A. One-stage cooking

1. on standby state or clock state, press **POWER** repeatedly to select the desired the Power level,
2. Use the number keys to set a cooking time. You can set a cooking time from one second to 99 minutes and 99 seconds. If you are setting a time greater than one minute, you must enter numbers for both minutes and seconds. For example: to set 20 minutes, enter 2, 0, 0, 0.
3. Touch **START/STOP** to start cooking. **USE THESE SINGLE DIGIT TO REPRESENT POWER LEVELS**

| Number key     | % of power | Microwave instruction   |
|----------------|------------|---|
| Tap POWER once | 100%       | P100 and P90 --- High power, 100% and 90% microwave power. Applicable for quick and thorough cooking  |
| 9              | 90%        |   |
| 8              | 80%        | P80 and P70 --- Medium High power, 80% and 70% microwave power. Applicable for medium express cooking |
| 7              | 70%        |   |
| 6              | 60%        | P60 and P50 --- Medium power, 60% and 50% microwave power. Applicable for steaming food               |
| 5              | 50%        |   |
| 4              | 40%        | P40 and P30 --- Medium Low power, 40% and 30% microwave power. Applicable for defrosting food         |
| 3              | 30%        |   |
| 2              | 20%        | P20 and P10 --- Low power, 20% and 10% microwave power. Applicable for keeping warm                   |
| 1              | 10%        |   |

**Example: To cook at P80 for 10 minutes.**

| Depress |  | Display    |
|---------|--|------------|
| 1       | After power-up, the colon flashes, then Depress <b>Reset</b> button once or wait for 30sec | :          |
| 2       | Touch <b>Power</b> repeatedly to select the Desired power level 80P                        | <b>80P</b> |



|   |  |              |
|---|--|--------------|
| 3 | Set cooking time by pressing the number Button of “1”, “0”, “0”, “0”               | <i>10:00</i> |
| 4 | Press <b>Start/stop</b> button to start, and LED will count down to show left time |              |



## CAUTION

- a. The max time which can be set is 99'99”.
- b. Never use the grill rack during microwave cooking.
- c. Never operate the oven empty.
- d. If you turn the food during operation, press the Instant/Start button once and the preset cooking procedure will continue.
- e. If you intend to remove the food before the preset time, you must press Pause/Cancel button once to clear the preset procedure to avoid unintended operation of next time use.

## B. Two-stage cooking

To obtain best cooking result, some recipes call for different cook mode and time. You may program your personalized menu as follow:

|  |   |                |
|--|---|----------------|
| Example: You want to cook food with 100P microwave for 3 minutes then grill for 9 minutes. |   |                |
|  | <b>Depress</b>  | <b>Display</b> |
| 1  | 100P microwave for 3min   |                |
| 1.1  | After power-up, the colon flashes, then press <b>Reset</b> once or wait for 30sec | :              |
| 1.2  | Press <b>Power</b> button once  | <i>100P</i>    |
| 1.3  | Press “ 3” “0”, “0” to set grill power  | <i>3:00</i>    |
| 2  | Grill for 9min  |                |

|     |  |             |
|-----|--|-------------|
| 2.2 | Press <b>Grill/combi</b> button to set grill level | <b>G</b>    |
| 2.3 | Press “9”, “0”, “0” to set cooking time            | <b>9:00</b> |
| 3   | Start cooking by pressing <b>Start/Stop</b> button |             |

## 6. Setting “speed defrost”

1. on standby state or clock state, touch **SPEED DEFROST** key.
2. Enter desired defrosting time by touching correct number keys. Digital timer sets minutes and seconds from left to right so a single digit can be set (5 for 5 seconds) or up to 4 digits (2405 for 24 minutes 5 seconds).
3. Touch **START/STOP** key.

| Example: To speed defrost 0.2kg poultry With 2min50sec |  |             |
|--|--|-------------|
|  | Depress  | Display     |
| 1  | After power-up, the colon flashes, Then press <b>Reset</b> button once or wait For 30sec   | :           |
| 2  | Touch <b>Speed Defrost</b> key   | :           |
| 3  | Set defrost time by pressing the Number button of “2”, “5” .”0”                            | <b>2:50</b> |
| 4  | Start cooking by pressing <b>Start/Stop</b> , and LED will count down to show running time |             |



## CAUTION

- a. After time has elapsed four beeps sound and **END** appears in display. Touch **RESET** key or open the door to clear **END** before starting another cooking function.
- b. After setting **SPEED DEFROST**, oven can be programmed to automatically switch to one or two-Stage cooking.
  - For speed defrost and one stage cooking, follow steps above. Before touching **START/STOP** key, touch **COOK** key, and enter time and power level. Then touch **START/STOP** key.
  - For speed defrost and two stage cooking, follow steps above. Before touching **START/STOP** key, enter two-stage cooking programs.

## 7. Setting “cook by weight”

The oven has default cooking menu for simple operation. You set the type and weight of food, and the oven automatically sets the cooking time and power level.

| “COOK BY WEIGHT” CODE DESCRIPTIONS |        |                                   |
|------------------------------------|--------|-----------------------------------|
| CODE                               | TYPE   | WEIGHT RANGE                      |
| 1                                  | Beef   | 0.1, 0.15, 0.2……2.9, 2.95, 3.0 Kg |
| 2                                  | Mutton | 0.1, 0.15, 0.2……2.9, 2.95, 3.0 Kg |
| 3                                  | Pork   | 0.1, 0.15, 0.2……1.9, 1.95, 2.0 Kg |

| Example: To cook 1.2Kg beef  |  |              |
|--|--|--------------|
|  | Depress  | Display      |
| 1  | After power-up, the colon flashes, Then press <b>Reset</b> button once Or wait for 30sec | :            |
| 2  | Touch <b>Cook By Weight</b> button once  |              |
| 3  | Select the food kind by entering Code “1”  | <i>0.</i>    |
| 4  | Set food weight by pressing number”1” “2” “0”  | <i>1.20</i>  |
| 5  | The oven start cooking and Time will appear automatically.                               | <i>34:24</i> |
| during cooking Two beeps will be sound, it reminds you to turn over the Food, after finishing turning over food, press <b>Start/Stop</b> to resume cooking |  |              |



## WARNING

- a. Weight must be in Kg
- b. After total cooking time, 4 beeps sound and END appears in display. Touch RESET or open oven door to clear END before starting another cooking function
- c. Please wait for few minutes before take food out

## 8. Setting “defrost by weight”

You set the type and weight of food, and the oven automatically sets the defrosting time

| Example: To defrost 1.15Kg beef   |         |
|---|---------|
| Depress   | Display |
| 1. After power-up, the colon flashes ,Then press <b>Reset</b> button once Or wait for 30sec   | :       |
| 2. press <b>Defrost By weight</b> button  | 0.      |
| 3. Set defrosting weight by pressing the Number button of “1 ”, “1” . “5”   | 1.15    |
| 4. Start cooking by pressing <b>Start/stop</b> and LED will count down to show running time.  | 23:00   |
| during cooking Two beeps will be sound, it reminds you to turn over the Food, after finishing turning over food, press Start/Stop to resume cooking |         |



## CAUTION

- a. It is necessary to turn over the food during operation to obtain uniform effect.
- b. Usually defrosting will need longer time than that of cooking the food.
- c. If the food can be cut by knife, the defrosting process can be considered completed.
- d. Microwave penetrates around 4cm into most food
- e. Defrosted food should be consumed as soon as possible, it is not advised to put back to fridge and freeze again
- f. weight must be in kg, you can set the Food weight from 0.1, 0.15. 0.2……2.9, 2.95, 3.0 Kg .

## 9 Grill/combination

|    |  |
|----|--|
| G  | Grill, the heat element will be energized during operation time. Which is applicable for rolling thin meats or pork, sausage, chicken wing as good brown color can be obtained |
| G1 | Combination of Grill and microwave cooking. 30% of time microwave output and 70% of time light wave  |

|    |   |
|----|---|
| G2 | Combination of Grill and microwave cooking. 55% of time microwave output and 45% of time light wave |
|----|---|



## CAUTION

In the mode of convection/combo/grill, all of the oven parts, as well as the rack and cooking containers, may become very hot. Use caution when removing any item from the oven. Use heavy potholders or oven mitts to PREVENT BURNS.

| Example: To grill food with G2 cook menu for 10 minutes         |              |
|---|--------------|
| Depress   | Display      |
| 1. After power-up, the colon flashes                            | :            |
| 2. Press <b>Grill Combi</b> button to select desired grill menu | <i>G.2</i>   |
| 3. Set cooking time by pressing the number “1” “0” “0” “0”      | <i>10:00</i> |
| 4. Press Instant. Start to start cooking                        |              |

## 10. ABOUT “QUICK COOK” SETTINGS

“QUICK COOK” allow you to cook or reheat food automatically without entering power level or time. When setting “quick cook”, check visual guide on key for correct setting. Three “quick cook” setting allow you to cook several amounts of the same food. These include the “POPCORN”, “BAKED POTATO”, “PIZZA”, “BEVERAGE”, “FROZEN DINNER”, “REHEAT”. After you touch these keys, ENTER AMT appears in the display. In each “quick cook” category, smaller size food is set by touching key once. The larger size can be set by touching the picture key twice.

※ setting “popcorn”

1. on standby state or clock state, touch POPCORN key. POPCORN automatically sets the cooking time of microwave popcorn.
2. Touch START/STOP key.



## CAUTION

To reset POPCORN time: tap POPCORN key twice. ENTER TIME appears in display. Touch number keys to enter minutes and seconds. Touch START/STOP key. This new cooking time will remain whenever you touch the POPCORN key until you reset it.

※ setting “baked potato”

For potatoes (0.11 to 0.17 kg. per share):

1. On standby state or clock state , touch POTATO key once. LED will display
2. Enter number of potatoes by touching number keys from 1 to 4.
3. Touch START/STOP key.

※Setting “pizza”

Reheating a slice (or two thin ones) of leftover pizza:

1. On standby state or clock state , touch PIZZA key once.
2. Touch START/STOP key.

※Setting “beverage”

For coffee cups (0.14 to 0.2kg. per share):

1. on standby state or clock state, touch BEVERAGE pad once.
2. Enter number of cups by touching number pads from 1 to 4.
3. Touch START/STOP key.

※ setting “frozen dinner”

Microwaving one or two small (0.2 to 0.25kg) frozen dinner:

1. on standby state or clock state, touch FROZEN DINNER key once.
2. Touch 1 or 2 key to select 1 entree or 2 entrees.
3. Touch START/STOP key.

※ setting “reheat”

- 1) On standby state or clock state, touch REHEAT key.
- 2) Touch START/STOP key.

## CAUTION

This setting lets you reheat a dinner plate of chilled leftovers with good results.

## 11. Child lock function

Use this feature to lock the control panel when you are cleaning or so that children can not use the oven unsupervised. All the buttons are rendered inoperable in this mode

|             | Depress  | Display    |
|-------------|--|------------|
| set lock    | Depress and hold <b>Reset</b> button about 3 seconds | <b>OFF</b> |
| cancel lock | Depress and hold <b>Reset</b> button about 3 seconds | :          |

## 12. UTENSILS GUIDELINE

It is strongly recommended to use the containers which are suitable and safe for microwave cooking. Generally speaking, the containers which are made of heat-resistant ceramic, glass or plastic are suitable for microwave cooking. Never use the metal containers for microwave cooking and combination cooking as spark is likely to occur. You can take the reference of below table.

| Material of container  | microwave | Grill | Combo | Notes  |
|------------------------|-----------|-------|-------|--|
| Heat-resistant ceramic | Yes       | No    | No    | Never use the ceramics decorated with metal rim or glazed                                      |
| Heat-resistant plastic | Yes       | No    | No    | Can not be used for long time microwave cooking  |
| Heat-resistant glass   | Yes       | No    | No    |  |
| Grill rack             | No        | Yes   | Yes   |  |
| Plastic film           | Yes       | No    | No    | It should not be used when cooking meat or chops as over temperature may do damage to the film |

## 13. Cooking Tips

The following factors may affect the cooking result:

### Food arrangement

Place thicker areas towards outside of dish, the thinner part towards the centre and spread it evenly. Do not overlap if possible.

### Cooking time length

Start cooking with a short time setting, evaluate it after it times out and extend it according to the actual need. Over cooking may result in smoke and burns.

## **Cooking food evenly**

**Food such as chicken, hamburger or steak should be turned once during cooking.**

**Depending on the type of food, if applicable, stir it from outside to centre of dish once or twice during cooking**

## **Allow standing time**

**After cooking times out, leave the food in the oven for a adequate length of time, this allows it to complete its cooking cycle and cooling it down in a gradual manner**

## **Whether the food is done**

- Color and hardness of food help to determine if it is done, these include:**
- Steam coming out from all parts of food, not just the edge**
- Joints of poultry can be moved easily**
- Pork or poultry shows no signs of blood**
- Fish is opaque and can be sliced easily with a fork**

## **Browning dish**

**When using a browning dish or self-heating container, always place a heat-resistant insulator such as a porcelain plate under it to prevent damage to the turntable and rotating ring.**

## **Microwave safe plastic wrap**

**When cooking food with high fat content, do not allow the plastic wrap come into contact with food as it may melt**

## **Microwave safe plastic cookware**

**Some microwave safe plastic cookware might not be suitable for cooking foods with high fat and sugar content. Also, the preheating time specified in the dish instruction manual must not be exceeded**



# CLEANING and MAINTENANCE

## Microwave oven care

### CAUTION

The oven should be cleaned regularly and any food deposits removed.

### WARNING

1. It is hazardous for anyone other than a competent person to carry out any service or repair operation that involves the removal of a cover which gives protection against exposure to microwave energy
2. Remove the power cord from the wall outlet before cleaning
3. Failure to maintain the oven in a clean condition could lead to deterioration of the surface that could adversely affect the life of the appliance and possibly result in a hazardous situation
4. The oven should be cleaned regularly and any food deposits removed
5. Details for cleaning door seals, cavities and adjacent parts.
6. Never use hard detergent, gasoline, abrasive powder or metal brush to clean any part of the appliance
7. Do not remove the waveguide cover
8. When the microwave oven has been used for a long time, there may be some strange odors exist in oven, Following 3 methods can get rid of them:
  - a. Place several lemon slices in a cup, then heat with high power for 2-3 min.
  - b. Place a cup of red tea in oven, then heat with high power.
  - c. Put some orange peel into oven, and then heat them with high power for 1 minute.

## TIPS for cleaning

Exterior:

**Wipe the enclosure with a dampened soft cloth**

**Door:**

**Using a dampened soft cloth, wipe clean the door and window**

**Wipe the door seals and adjacent parts to remove any spill or spatter**

**Wipe the control panel with a slightly dampened soft cloth**

**Interior walls:**

**Wipe clean the interior surfaces with a dampened soft cloth**

**Wipe clean the waveguide cover to remove any food splashed**

**Turntable / Rotation ring / Rotation axis:**

**Wash with mild soap water**

**Rinse with clean water and allow drying thoroughly**

## **Servicing**

**Please check the following before calling for services.**

**a. Place one cup of water (approx.150ml)in a glass measure in the oven and close the door securely. Oven lamp should go off if the door is closed properly. Let the oven work for 1 min.**

**b. Does the oven lamp light?**

**c. Does the cooling fan work?**

**(Put your hand over the rear ventilation openings.)**

**d. Does the turntable rotate?**

**(The turntable can rotate clockwise or counterclockwise. This is quite normal.)**

**e. Is the water inside the oven hot?**

**If “NO” is the answer to any of the above questions, please check your wall socket and the fuse in your meter box.**

**If both the wall socket and the fuse are functioning properly, CONTACT YOUR NEAREST SERVICE CENTER APPROVED.**

## SERVICING SAFEGUARDS



### WARNING

**MICROWAVE RADIATION!**



### WARNING

**It is hazardous for anyone, other than a qualified service technician, to carry out any service for repairing operation which involves removal of any cover which gives protection against exposure to microwave energy.**



### WARNING

**The temperature of accessible surfaces may be high when the appliance is operating**



### WARNING

**The high voltage capacitor remains charge after disconnection; short the negative terminal of H. V capacitor to the oven chassis (use a screwdriver) to discharge before touching.**



### WARNING

During servicing below listed parts are liable to be removed and give access to potentials above 250V to earth.

1. Magnetron
2. High voltage transformer
3. High voltage capacitor
4. High voltage diode
5. High voltage fuse

## **WARNING**

The following conditions may cause undue microwave exposure during servicing.

Improper fitting of magnetron;

Improper matching of door interlock, door hinge and door;

Improper fitting of switch support;

Door, door seal or enclosure has been damaged.

## **CAUTION**

1. if LED displays Err0 during working , it indicates that sensor has been short circuit and you need replace it at the nearest repaired department.
2. if LED displays Err1 during working , it indicates that sensor has been open circuit and you need replace it at the nearest repaired department.

## **WARNING**

If the door or door seals are damaged, the oven must not be operated until it has been repaired by a competent person;

It is hazardous for anyone, other than a qualified service technician, to carry out any service for repairing operation which involves removal of any cover which gives protection against exposure to microwave energy.

Liquids or other foods must not be heated in sealed containers since they are liable to explode;

Only allow children to use the oven without supervision when adequate instructions have been given so that the child is able to use the oven in a safe way and understands the hazards of improper use

**Correct Disposal of this product**



This marking indicates that this product should not be disposed with other household wastes throughout the EU. To prevent possible harm to the environment or human health from uncontrolled waste disposal, recycle it responsibly to promote the sustainable reuse of material resources. To return your used device, please use the return and collection systems or contact the retailer where the product was purchased. They can take this product for environmental safe recycling.

## Free Manuals Download Website

<http://myh66.com>

<http://usermanuals.us>

<http://www.somanuals.com>

<http://www.4manuals.cc>

<http://www.manual-lib.com>

<http://www.404manual.com>

<http://www.luxmanual.com>

<http://aubethermostatmanual.com>

Golf course search by state

<http://golfingnear.com>

Email search by domain

<http://emailbydomain.com>

Auto manuals search

<http://auto.somanuals.com>

TV manuals search

<http://tv.somanuals.com>