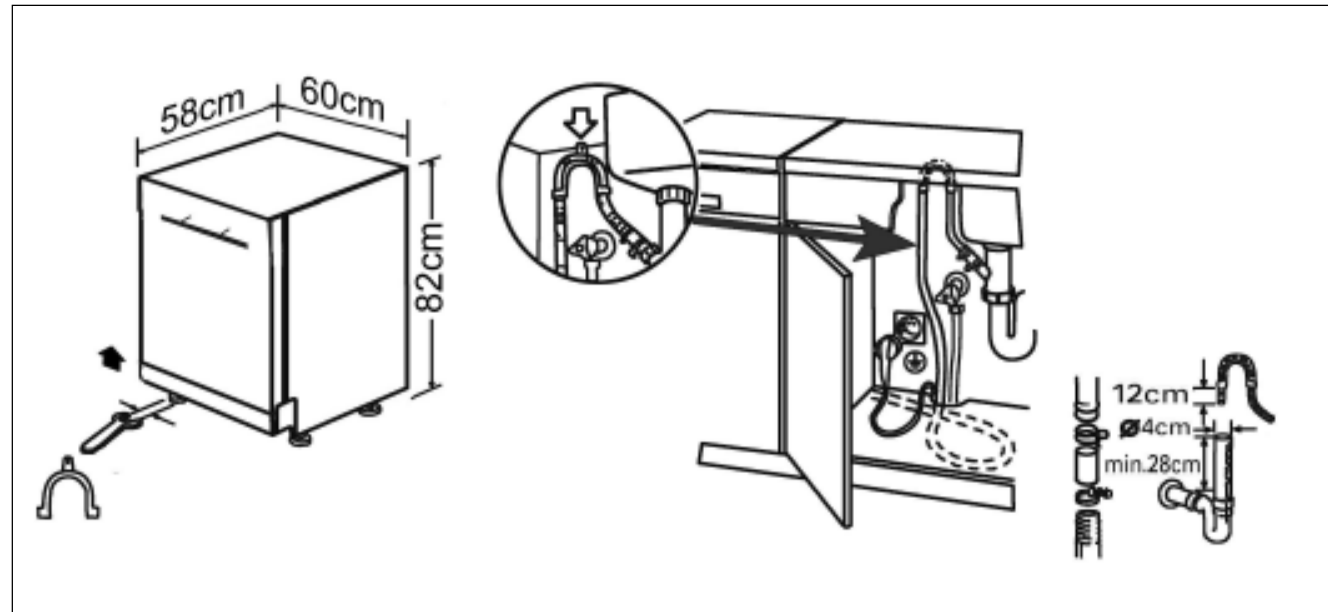


Installation

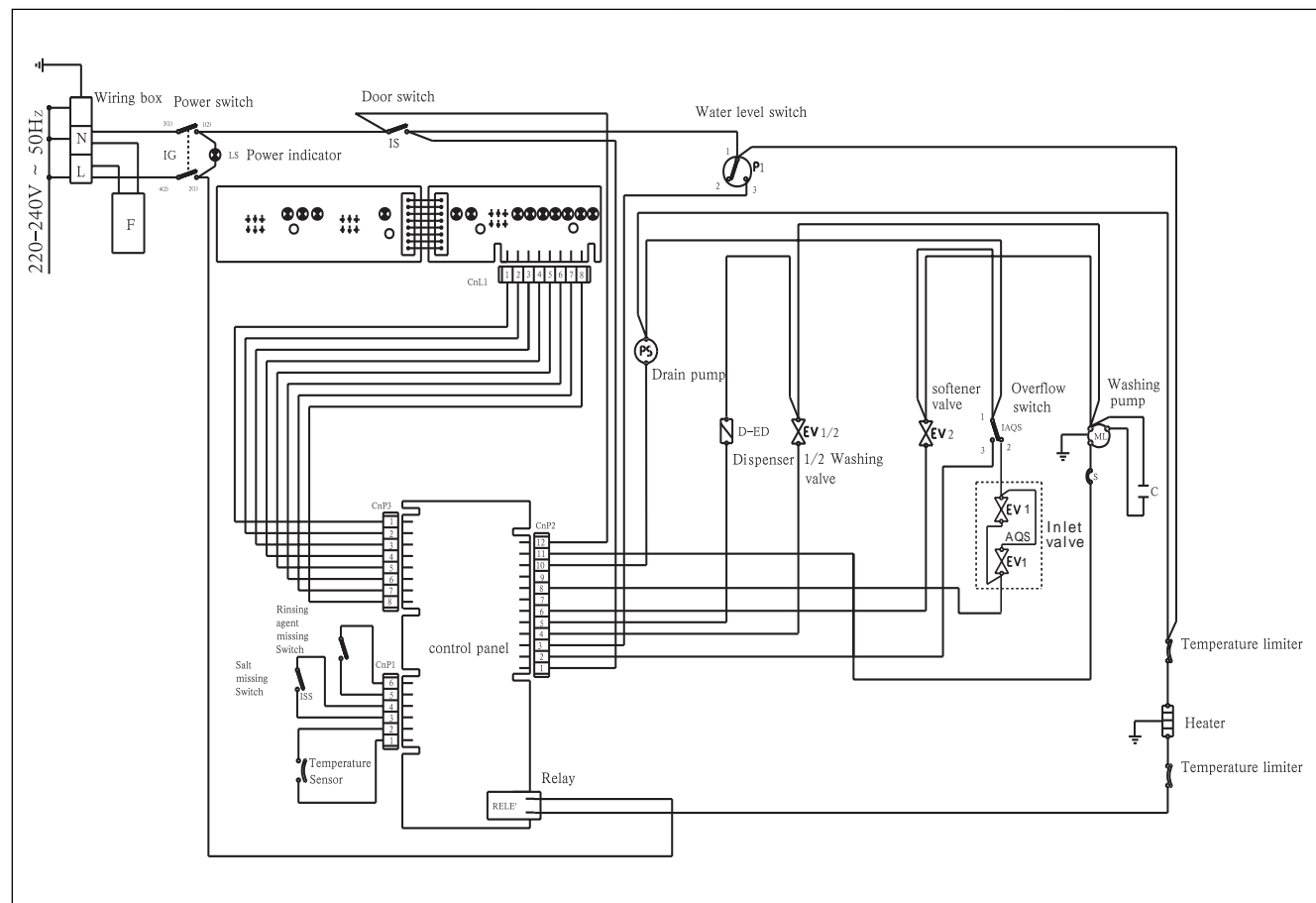


Haier

Domestic Dishwasher
DW12-CBE6



Diagram



DE ES FR IT PT GB NL

012050

Safety Is a Good Habit to Get Into

NOTICE

Carefully read the instructions contained in this manual, as they provide important information which is essential to safe and proper installation, use and maintenance of the appliance.

CE This appliance complies with the following EEC directives:

- 73/23/EEC of 19 February 1973 (Low Voltage) and subsequent modifications;
- 89/336/EEC of 3 May 1989 (Electromagnetic Compatibility) and subsequent modifications.
- Carefully dispose of the packing material.
- After removing the packing, check to make sure that the appliance is not damaged. If in doubt, contact a qualified professional.
- The dishwasher must only be used by adults for the washing of household dishes and cooking utensils.
- The appliance is not intended for use by young children or inform persons without supervision.
- Young children should be supervised to ensure that they do not play with the appliance.
- Keep detergents out of the reach of children, who must also be kept away from the dishwasher when it is open.
- This appliance cannot be installed outdoors, not even if the area in which it is installed is covered by a roof; it is also very dangerous to leave it exposed to the rain and elements.
- Do not touch the heating element during or after a wash cycle.
- Do not lean or sit on the door when it is open as this could over turn the dishwasher.

- If the appliance malfunctions, turn off water supply to the appliance and disconnect the plug from the wall socket. Then, consult the section entitled, "Troubleshooting" .If you cannot solve the problem, contact a service centre.
- Only specialised personnel are authorised to make repairs.
- Appliances which are no longer being used must be made inoperable by cutting the power supply cord and removing the door lock.
- If the supply cord is damaged, it must be replaced by the manufacturer, its service agent or similarly qualified persons in order to avoid a hazard.
- After installation, the power plug must be accessible.
- Fundamental rules to follow when using the appliance:
 - * Never touch the dishwasher when barefoot or with wet hands or feet;
 - * We discourage the use of extension cords and multiple sockets;
 - * During installation, the power supply cord must not be excessively or dangerously bent or flattened;
 - * If the appliance is not operating properly or maintenance must be performed, disconnect the appliance from the power supply.

To maintain the EFFICIENCY and SAFETY of this appliance, we recommend:

- call only the Service Centers authorized by the manufacturer.
- always use original Spare Parts

Close-up View (control panel)



- | | |
|--|--------------------------------------|
| A ON-OFF Button | F Cycle Indicator Light |
| B ON-OFF Light | G Cycle Select Button |
| C "HALF LOAD" Button | H "HALF LOAD" Indicator Light |
| D Low Rinse Aid Indicator Light | I Delay Indicator Light |
| E Low Salt Indicator Light | J Delay Select Button |

.1.

GB

Close-up View (Interior)



- | | |
|-------------------------------|--|
| A Cup Rack | G Washing Filter |
| B Upper Rack | H Detergent And Rinse Aid Dispenser |
| C Rack Height Adjustor | I Salt Container Cap |
| D Top Spray Arm | J Silverware Basket |
| E Lower Rack | K Knife Rack |
| F Bottom Spray Arm | L Third Sprayer |

Technical characteristics

Width	60 cm
Depth	58 cm
Height	82 cm
Capacity	12 standard place settings
Mains water pressure	0.03-0.6MPa
Power voltage	220-240V~ 50Hz
Total absorber power	1950W

.2.

GB

Salt

The hardness of the water varies from place to place. If hard water is used in the dishwasher, deposits will form on the dishes and utensils.

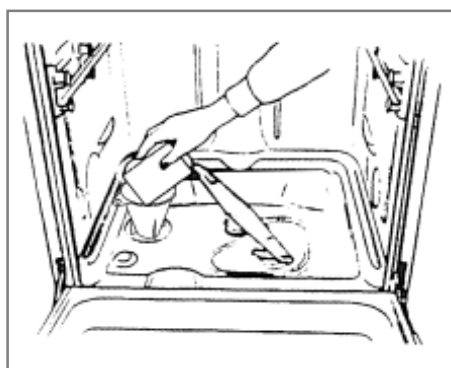
The appliance is equipped with a special softener that uses a salt specifically designed to eliminate lime and minerals from the water.

Loading the Salt into the Softener

Always use salt intended for use with dishwashers.

The salt container is located beneath the lower rack and should be filled as follows:

- Remove the lower rack and then unscrew and remove the cap from the salt container;
- If you are filling the container for the first time, fill it with water;
- Place the end of the funnel (supplied) into the hole and introduce about 2 kg of salt. It is normal for a small amount of water to come out of the salt container.
- Carefully screw the cap back on.



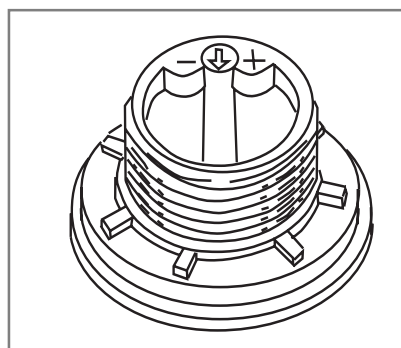
The salt container must be filled when the "low salt" indicator light (located on the control panel), comes on.

To prevent the formation of rust, load the salt just before beginning a wash cycle.

Adjusting Salt Consumption

The dishwasher is designed to allow for adjusting the amount of salt consumed based on the hardness of the water used. This is intended to optimize and customize the level of salt consumption so that it remains at a minimum.

To adjust salt consumption, proceed as follows:



- Unscrew the cap from the salt container;
- There is a ring on the container with an arrow on it (see figure to the side),
- If necessary, rotate the ring in an anticlockwise direction from the "-" setting towards the "+" sign, based on the hardness of the water being used.

It is recommended that adjustments be made in accordance with the following schema:

Water Hardness						
Level	Clarke degrees	°dH	mmol/l	Selector position	Salt consumption (Grams/cycle)	Autonomy (cycles/2kg)
1	0 ÷ 14	0 ÷ 17	0 ÷ 1,7	/	0	/
2	14 ÷ 36	18 ÷ 44	1,8 ÷ 4,4	"-"	20	60
3	36 ÷ 71	45 ÷ 89	4,5 ÷ 8,9	MED	40	40
4	>71	>89	>8,9	"+"	60	25

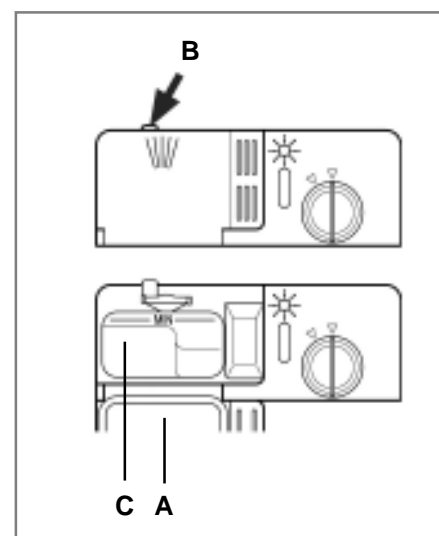
Detergent

Detergent specifically intended for use with dishwashers must be used. The dispenser must be refilled before the start of each wash cycle following the instructions provided in the "Wash Cycle Table". The detergent dispenser is located on the inside panel the door.

Loading the detergent

To open the "A" cover on the dispenser, press the "B" button. The detergent for the wash cycle should be poured into the "C" compartment.

After the detergent has been placed in the dispenser, close the cover and press down until it clicks in place.



Notice: To facilitate closing the cover, remove any excess detergent on the edges of the dispenser.

Rinse Aid

This product makes dishes sparkle and helps them to dry without spotting. The dispenser is located on the inside panel of the door and should be filled after every 80 wash cycles (or when the "low rinse aid" indicator light comes on for those models with this feature).

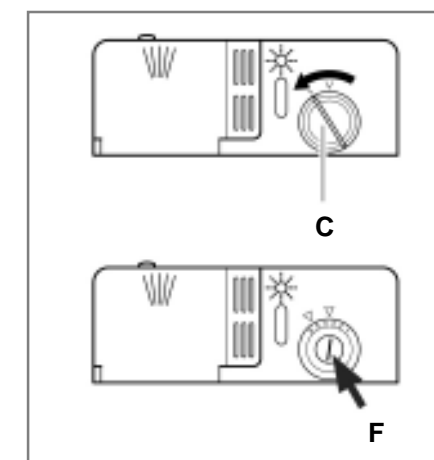
Loading the Rinse Aid

Regardless of the type of detergent dispenser installed on your appliance, you must proceed as indicated below when loading the rinse aid.

To open the dispenser, turn the "C" cap in an anti-clockwise direction and then pour in the rinse aid, making sure not to overfill. The amount of rinse aid used for each cycle can be regulated by turning the "F" dose adjustor, located beneath the "C" cap, with a screwdriver. There are 6 different settings; the normal dosage setting is 3.

Important

Proper dosage of the rinse aid improves drying. If drops of water remain on the dishes or spotting occurs, the dosage adjustor should be turned to a higher setting. If the dishes have white streaks, turn the dosage adjustor to a lower setting.



Loading the Dishwasher

Before placing the dishes in the dishwasher, remove larger food particles to prevent the filter from becoming clogged, which results in reduced performance.

If the pots and pans have baked-on food that is extremely hard to remove, we recommend that they are soaked before washed. This will eliminate the need for extra wash cycles.

Pull out the rack to load the dishwasher.

How to use the lower rack

We recommend that you place the most difficult to clean items on the bottom rack: pots, pans, lids, serving dishes and bowls, as shown in the figure to the right.

It is preferable to place serving dishes and lids on the sides of the racks in order to avoid blocking the rotation of the top spray arm.

- Pots, serving bowls, etc. must always be placed face down.
- Deep pots should be slanted to allow the water to flow out.
- The lower rack features fold down tine rows (see fig.A) so that larger or more pots and pans can be loaded.
- The silverware basket can be doubled (see fig.B) so that only one section may be used when the silverware load is light. This also makes space for additional pots and pans and it can also be placed in the upper rack.
- Silverware should be placed in the silverware basket with the handles at the bottom; if the rack has side baskets, the spoons should be located individually into the appropriate slots. Especially long utensils should be placed in the horizontal position at the front of the upper rack.

How to use the upper rack

The upper rack is designed to hold more delicate and lighter dishware, such as glasses, cups and saucers, plates, small bowls and shallow pans (as long as they are not too dirty).

- Position the dishes and cookware so that they do not get moved by the spray of water.

The upper rack can be adjusted for height by using the knobs located on both sides of the rack itself (see fig.C).

Adjust the upper basket to the higher level and you have more space to accommodate those taller pans and trays in the bottom basket.

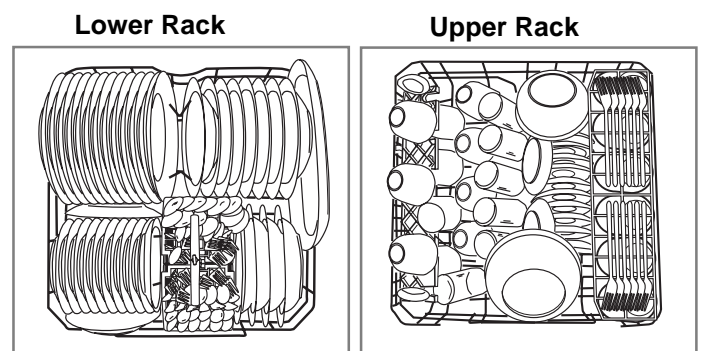
Shelf

Lean tall glasses and those with long stems against the shelf-not against other items to be washed.

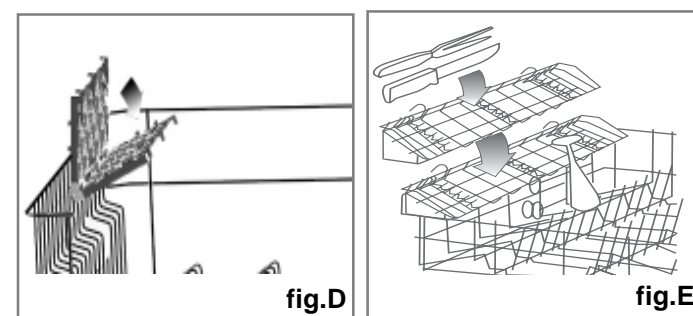
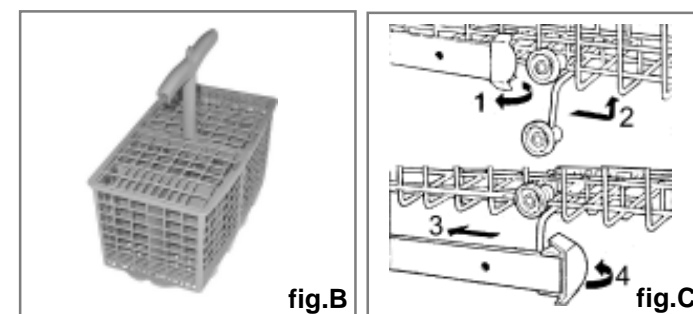
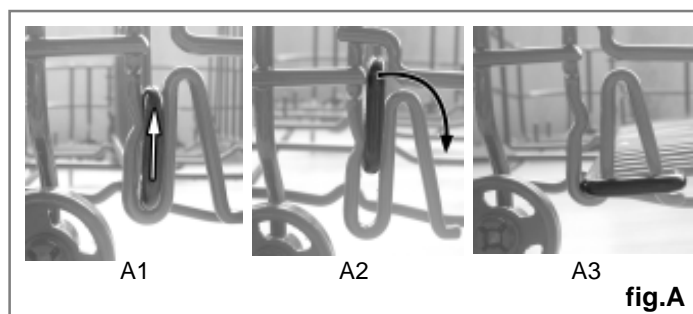
Place glasses, cups and small bowls on the additional cup rack. The additional cup rack can be swivelled in or out as required(see fig.D).

Knife rack

The knife rack clips onto the side of the top basket, giving you the freedom to wash your large sharp knives separately and out of harm's way (see fig.E).



Load for 12 Standard Settings (for IEC-EN 50242 tests)



Starting the Appliance

Starting a wash cycle...

After having completed all of the installation steps in the preceding paragraphs, turn on the water to the unit, partially open the door of the dishwasher, and press the ON-OFF button "A" located on the control panel. The "B" indicator light will come on. At this point, the appliance is on and ready to be programmed.

Setting and Starting a wash Cycle...

Choose the desired cycle by pressing the cycle selection button "G". Each time it is pressed, one of the cycle indicator lights "F" will begin to blink in succession.

Choose the wash cycle you feel is most appropriate for the type of dishes that need washing (consult the wash cycle table contained in this manual, especially when first using the appliance). Close the door and then the wash cycle has begun and cannot be modified. If necessary, read the paragraph entitled, "Cancelling or modifying a cycle while underway." "The end of the cycle will be signalled by six acoustic sound, and the indicator light "F" will turn off.

Cancelling or modifying a cycle while underway...

Premise: A cycle that is underway can only be modified if it has only been running for a short time.

Otherwise, the detergent may have already been used, and the appliance may have already drained the wash water. If this is the case, the detergent dispenser must be refilled (see the paragraph entitled, "Loading the Detergent").

To change the cycle currently underway, open the door and press the ON-OFF button "A", follow the instructions contained in the paragraph entitled, "Starting a wash cycle...", "Setting and Starting a Wash Cycle".

To set a new wash cycle, follow the instructions contained in the paragraph entitled, "Setting and Starting a Wash Cycle".

If you forget to load some of the dishes...

The wash cycle can be interrupted by opening the door carefully (in order to avoid being sprayed by hot water). When the door is closed again, after 30 seconds the cycle will automatically restart at the point where it left off.

At the end of the wash cycle...

The end of the cycle will be indicated by six acoustical signal, at the same time the "F" indicator light will turn off. Open the door, turn off the appliance using the ON-OFF switch and turn off the water supply to the unit. Wait a few minutes before removing the dishes so as to avoid handling them while still hot (when they are more susceptible to breakage) and to get better drying results.

Setting The Start Delay Time

Open the door of the dishwasher partially. If the "J" button is pressed (see, "Close-up View" Control Panel"). The start time for the wash cycle can be delayed for 2,4,6,8,10 or 12 hours.

Each time the button is pressed, the "I" light will blink indicating the length of the delay.

After selecting the delay time, the wash cycle can be set, as explained in "Starting a wash cycle...", close the door and at this point the delay period will begin to count down. During this period the delay indicator light (I) will come on. At the end of the delay time, the indicator will turn off and the cycle will start.

NOTE:








- During the delay period, none of the settings can be modified. If necessary, they can be cancelled by pressing the ON-OFF button "A" located on the control panel.
- If the door is opened during the delay period, the clock will stop the countdown. It will start again when the door has been closed.

Wash Cycle Adjustment Buttons

1/2 Load Button

This button (see "Close-up View-Control Panel", letter "C") makes it possible to wash dishes using only the upper rack if there are not enough dishes for a full load, This will allow you to save on water and electrical energy.

Wash Cycle Table

Cycle	Cycle Selection Information	Description of Cycle	Detergent	Rinse Aid
 Heavy Duty	Very dirty dishes, pots and pans. (Not to be used with delicate items)	Pre-wash with hot water. Extended wash at 70°C. Rinses with cold water. Rinse with hot water. Drying.	30g	★
 Normal Wash	Normal dirty dishes, pots and pans. Standard daily cycle.	Pre-wash with cold water. Extended wash at 55°C. Rinse with cold water. Rinse with hot water. Drying.	30g	★
 Light Wash (IEC-EN50242)	Normal dirty dishes, pots and pans without dried on residue.	Pre-wash with cold water. Extended wash at 50°C. Rinse with cold water. Rinse with hot water. Drying.	5g+25g	★ (5)
 Glassware	Economic, fast cycle to be used for items which are sensitive to higher. Run immediately after dishes are used.	Wash at 60°C. Rinse with warm water. Hot rinse. Drying.	15g	★
 Rapid Wash	Economic, fast cycle to be used to on not very dirty dishes right after they are used. No drying cycle.	Short wash at 40°C. Cold rinse.	15g	
 Soak	Pre-wash of dishes, pots and pans while waiting for the load to be completed after the subsequent meal.	Short cold wash to prevent food residue from drying on the dishes.		
 Heat wash	The cycle of heat washing and dry tableware.	Heat washing.		★

Energy Saving Tips

-It is important to try and run the dishwasher when it is fully loaded in order to save on energy. In order to prevent odors from forming and food from caking onto the dishes, you can run the soak cycle.

-Choose the right wash cycle: the choice of cycle depends on the type of dishware, cookware and utensils being washed and how dirty they are.

-Use the right amount of detergent: if you use too much detergent, the result will not be cleaner dishes, but, rather, a greater negative impact on the environment.

-There is no advantage in rinsing dishes, cookware and utensils before placing them in the dishwasher.

How to keep Your Dishwasher in Shape

After Every Wash

After every wash, turn off the water supply to the appliance and leave the door slightly ajar so that moisture and odors are not trapped inside.

Remove the plug

Before cleaning or performing maintenance, always remove the plug from the socket. Do not run risks.

No solvents or Abrasive Cleaning Products

To clean the exterior and rubber parts of the dishwasher, do not use solvents or abrasive cleaning products. Rather, use only a cloth and warm soapy water.

To remove spots or stains from the surface of the interior, use a cloth dampened with water and a little white vinegar, or cleaning product made specifically for dishwashers.

When You Go on Holiday

When you go on holiday, it is recommended that you run a wash cycle with the dishwasher empty and then remove the plug from the socket, turn off the water supply and leave the door of the appliance slightly ajar. This will help the seals last longer and prevent odors from forming within the appliance.

Moving the Appliance

If the appliance must be moved, try to keep it in a vertical position. If absolutely necessary, it can be positioned on its back.

Seals

One of the factors that cause odors to form in the dishwasher is food that remains trapped in the seals. Periodic cleaning with a damp sponge will prevent this from occurring.

Cleaning and Special Maintenance

Filter Assembly

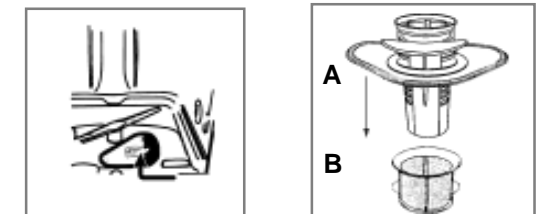
For best performance and results, the filter assembly must be cleaned.

The filter efficiently removes food particles from the wash water, allowing it to be recirculated during the cycle. For this reason, it is a good idea to remove the larger food particles trapped in the filter after each wash cycle by rinsing the "A" semi-circular filter and cup under running water. To remove the filter assembly, pull on the cup handle in an upward direction. The entire filter assembly (made up of the "A" semicircular filter and the "B" fine filter) should be cleaned at least once a month. To clean the filter and the fine filter, use a cleaning brush. Then, reassemble the filter parts as shown in the figures below and inset the entire assembly in the dishwasher, positioning in its seat and pressing downward.

The dishwasher must never be used without the filters. Improper replacement of the filters may reduce performance of the appliance and damage dishes and utensils.

Cleaning the Spray Arms

It may happen that food particles become encrusted on the sprayer arms and block the hole (see "Close up view [interior]" , letters D-F). Check the sprayer arms periodically and clean them when needed.



Cleaning the Water Inlet Filter

Periodically clean the water inlet filter located on the outlet of the water supply tap.

After turning off the water tap, unscrew the end of the water supply hose, remove the filter and clean it carefully under running water. Then, return the filter to its place and tighten the water supply hose back into position.

Troubleshooting

It may occur that the dishwasher does not function or does not function properly. Before calling for assistance, let us see what can be done first: have you forgotten to press one of the buttons or to perform an essential operation?

The Dishwasher Does Not Start

Have you checked whether:

- the plug is pushed into the socket correctly;
- the power is on in the house;
- the door is closed properly;
- the ON-OFF switch is on "ON";
- the water supply is turned on.

The Dishwasher Does Not Load Water

Have you checked whether:

- the water is turned on and the hose is connected properly;
- the water supply to the house is on and has sufficient pressure;
- the water supply hose is crimped or bent;
- the filter for the water supply hose is clogged.

The Dishes Are Not Clean

Have you checked whether:

- the water is turned on and the hose is connected properly;
- the water supply to the house is on and has sufficient pressure;
- the water supply hose is crimped or bent;
- the filter for the water supply hose is clogged.

The Dishwasher Does Not Drain

Have you checked whether:

- the drain hose is crimped or bent.

Lime Deposits or a White Film Form on the Dishes

Have you checked whether:

- the lid to the salt container is closed properly;
- the rinse aid dosage is correct.

Error Messages


The dishwasher is equipped with a safety system that is able to detect operating problems and malfunctions. These malfunctions are signalled by the rapid blinking of one of the "F" program LEDs. Only in the case where the indicator light for the soak cycle (see table for cycles) blinks rapidly should you cancel the cycle as described in the section entitled, "Changing a Cycle while Underway". Then check to make sure that there is water in the mains and that the tap is turned on. If the message continues, call for technical assistance, indicating which message appeared. If any of the other indicator lights begins to blink rapidly, turn off the appliance and call for technical assistance, indicating which light began to blink.

If, despite all these checks, the dishwasher still does not function and/or the problem persists, contact the nearest authorised service centre and provide them with the following information:

- the nature of the problem;
- the model type number (Mod...) And the serial number (S/N...), which are indicated on the plate located on the side of the inner part of the door.

Never call on unauthorised technicians and refuse to allow parts to be installed that are not original spare parts.



The symbol  on the product or on its packaging indicates that this product may not be treated as household waste. Instead it shall be handed over to the applicable collection point for the recycling of electrical and electronic equipment. By ensuring this product is disposed of correctly, you will help prevent potential negative consequences for the environment and human health, which could otherwise be caused by inappropriate waste handling of this product.

For more detailed information about recycling of this product, please contact your local city office, your household waste disposal service or the shop where you purchased the product.

Installation

Positioning the Appliance

Positioning the appliance in the desired location. The back should rest against the wall behind it, and the sides, along the adjacent cabinets or wall. The dishwasher is equipped with water supply and drain hoses that can be positioned to the right or the left to facilitate proper installation.

Levelling the Appliance

Once the appliance is positioned, adjust the feet (screwing them in or out) to adjust the dishwasher, making it level. In any case, the appliance should not be inclined more than 2°. If the appliance is level, it will help ensure proper performance.

Cold Water Connection

Connect the cold water supply hose to a threaded 3/4" (gas) connector, making sure that it is fastened tightly in place (see fig.2).

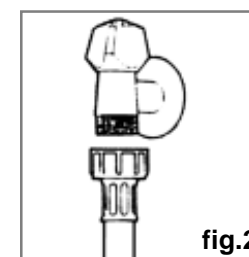
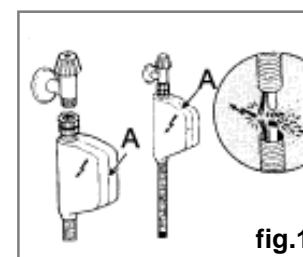
Some models are fitted with an "AquaStop" water supply hose (see fig.1) in which the small filter is already housed in the threaded end. If the water pipes are new or have not been used for an extended period of time, let the water run to make sure that the water is clear and free of impurities. If this precaution is not taken, there is a risk that the water inlet can get blocked and damage the appliance.

Hot Water Connection

The water supply to the appliance can also be connected to the house's hot water line (centralised system, heating system), as long as it does not exceed a temperature of 60°C.

In this case, the wash cycle time will be shortened by about 15 minutes and the wash efficiency slightly reduced.

The connection must be made to the hot water line following the same procedures as those for the connection to the cold water line.



Warning

The appliance is to be connected to the water mains using new hose-sets and that old hose-sets should not be reused.

Anti-Flooding Protection

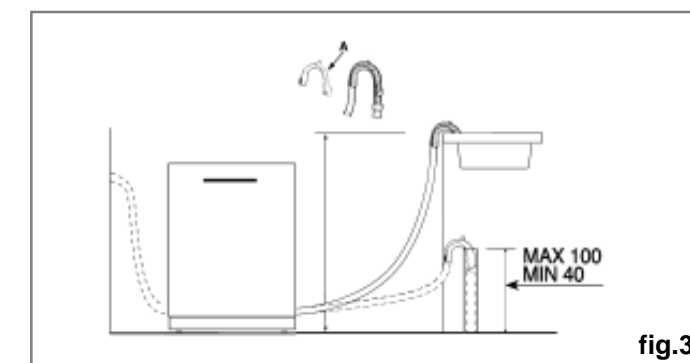
The dishwasher is equipped with a system that stops the supply of water in the event of a problem with the water supply hose, or leaks within the unit, in order to prevent damage to your home. If for any reason the box containing the electrical components happens to get damaged, remove the plug for the appliance from the socket immediately. In order to guarantee that the anti-flood-

ing feature operates properly, the "A" box with water supply hose must be attached to the water supply tap as shown in Fig. 1. No other type of connection is acceptable.

The water supply hose must not, under any circumstances, be cut, as it contains electrical parts which are live. If the length of the hose is not adequate to make a proper connection, the hose must be replaced with one which is long enough. This hose is available upon request from specialised retailers and service centres.

Drain Hose Connection

Insert the drain hose into a drain pipe with a minimum diameter of 4cm. Or let it run into the sink, making sure to avoid bending or crimping it. Use the special plastic support that comes with the appliance (see fig.3). The free end of the hose must be at a height between 40 and 100 cm and must not be immersed in water.



Attention:

The special plastic hose support must be solidly fastened to the wall to prevent the drain hose from moving and allowing water to spill outside the drain.

Electrical Connection

After making sure that the voltage and frequency values for the current in the home correspond to those on the rating plate (located on the stainless steel inner door of the appliance) and that the electrical system is correct for the maximum voltage on the rating plate, insert the plug into an electrical socket which is earthed properly (the earthing of the appliance is a safety requirement mandated by law).

If the electrical socket to which the appliance must be connected is not appropriate for the plug, replace the plug, rather than using adaptors or the like as they could cause overheating and burns.

Caution:

The dishwasher plug must be accessible even when the appliance is installed as a built-in unit so that maintenance can be done safely.

Die Sicherheit-Eine gute Gewohnheit und unsere Verpflichtung

HINWEIS

Lesen Sie bitte die Bedienungsanleitung aufmerksam durch, da sie wichtige Angaben über die Installation, Anwendung und Wartung des Gerätes enthält.

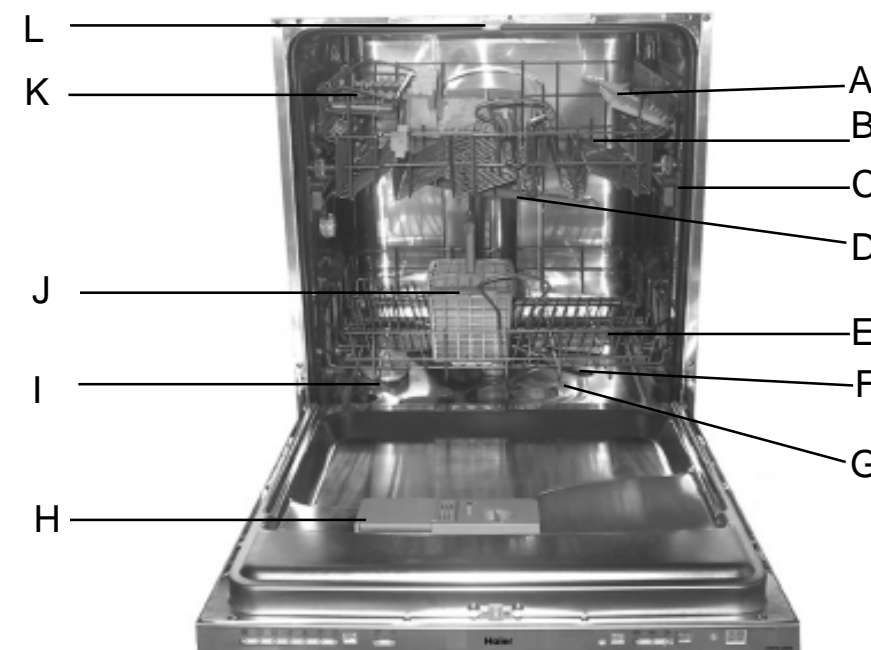


Dieses Gerät entspricht den folgenden EU-Richtlinien:

- 73/23/EWG vom 19. Februar 1973 (Niedrigspannung) sowie späteren Änderungen;
- 89/336/EWG vom 3. Mai 1989 (EMV) sowie späteren Änderungen.
- Bitte sorgen Sie für eine vorschriftsmäßige Entsorgung des Verpackungsmaterials.
- Kontrollieren Sie das Gerät nach dem Auspacken auf Transportschäden. Im Zweifelsfalle wenden Sie sich bitte an einen qualifizierten Techniker.
- Der Geschirrspüler ist nur zum Spülen von Haushalts- und Kochgeschirr gedacht und sollte nur von Erwachsenen benutzt werden.
- Bitte beachten Sie die folgenden Vorschriften für den Einsatz dieses Gerätes:
 - * Berühren Sie den Geschirrspüler niemals mit feuchten Händen oder Füßen;
 - * Verwenden Sie niemals Verlängerungskabel oder Vielfachstecker;
 - * Das Stromversorgungskabel darf bei der Installation niemals zu stark oder in gefährlicher Weise verbogen oder gequetscht werden;
 - * Trennen Sie das Gerät stets von der Stromversorgung, wenn es nicht vorschriftsmäßig funktioniert oder gewartet werden muss.

- Halten Sie Kinder von Spülmitteln und dem offenen Geschirrspüler fern.
- Das Gerät darf nicht im Freien aufgestellt werden, selbst wenn es unter einem Dach steht; es ist außerdem gefährlich, den Geschirrspüler Witterungseinflüssen einschließlich Regen auszusetzen.
- Berühren Sie niemals die Heizelemente während oder nach einem Spüldurchgang.
- Lehnen Sie oder setzen Sie sich niemals auf die offene Tür, da der Geschirrspüler sonst umkippen könnte.
- Bei Störungen am Gerät müssen Sie immer sofort die Wasserversorgung zum Gerät abstellen und den Stecker aus der Steckdose ziehen. Ziehen Sie dann den Abschnitt "Störungssuche" zu Rate. Wenn Sie das Problem nicht selbst lösen können, wenden Sie sich bitte an Ihre Kundendienststelle.
- Der Geschirrspüler darf nur von geschultem Fachpersonal repariert werden.
- Ausgediente Geräte müssen vorher durch Durchtrennen des Stromkabels und Entfernen des Türschlosses unbrauchbar gemacht werden.
- Das Gerät muss derart aufgestellt werden, dass der Stecker erreichbar bleibt.
- Bei Aufstellen auf einem Teppich darf dieser nicht die Türöffnung behindern.
- Wenn das Stromkabel beschädigt ist, muss es durch ein Spezialkabel ersetzt werden, das beim Hersteller oder Ihrer Kundendienststelle erhältlich ist.

Aus der Nähe betrachtet (Innenraum)



- | | |
|--------------------------------------|---|
| A Auflage von Teetasse | G Filtereinsatz |
| B Oberer Korb | H Reiniger- und Klarspülbehälter |
| C Höhenverstellung des Korbes | I Salzbehälterdeckel |
| D Oberer Sprüharm | J Stäbchenkorb |
| E Unter Korb | K Messerhalter |
| F Unterer Sprüharm | L Dritter Sprüharm |

Aus der Nähe betrachtet (Schalterblende)



- | | |
|---------------------------------------|---|
| A ON-OFF Taste | F Spülprogrammanzeigeleuchte |
| B ON-OFF Betriebskontrolllampe | G Programm wahlknopf |
| C Taste "HAIF LOAD" | H "Halbe Ladung" Anzeigeleuchte |
| D Klarspülernachfüllanzeige | I Anzeigeleuchte für Verzögerung |
| E Salznachfüllanzeige | J Wahlknopf, Startzeitvorwahl |

Technische Daten

Breite	60 cm
Tiefe	58 cm
Höhe	82 cm
Fassungsvermögen	12 Maßgedecke
Anschluß-Wasserdruck	0.03-0.6MPa
Betriebsspannung	220-240V~ 50Hz
Leistung	1950W

Salz

Der Kalkgehalt des Wassers variiert von Ort zu Ort. Je höher der Kalkgehalt, desto höher die Wasserhärte. Würde hartes Wasser in den Geschirrspüler eingelassen werden, käme es zu Ablagerungen auf dem Geschirr.

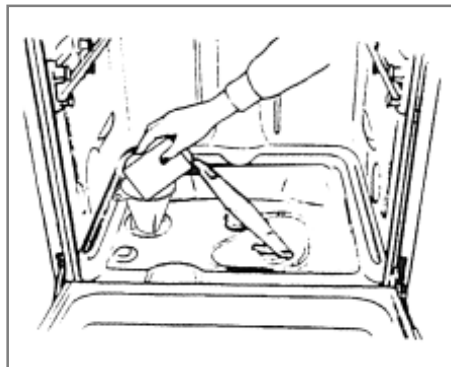
Dank des Entkalkers, in den das Geschirrspüler-Spezialsalz eingefüllt werden muß, wird das Wasser vom Kalk befreit.

Einfüllen des Salzes in den Entkalker

Verwenden Sie bitte nur Spezialsalz für Geschirrspüler.

Der Salzbehälter befindet sich unter dem Unteren Korb und wird wie folgt gefüllt:

- Nehmen Sie den unteren Korb heraus und schrauben Sie den Deckel des Behälters ab.
- Wenn der Salzbehälter zum ersten Mal gefüllt wird, muß er zuerst mit Wasser gefüllt werden.
- Füllen Sie mit Hilfe des Trichters ca. 2kg Salz ein. Dabei tritt etwas Wasser aus dem Salzbehälter aus.
- Schrauben Sie den Deckel des Salzbehälters wieder an.



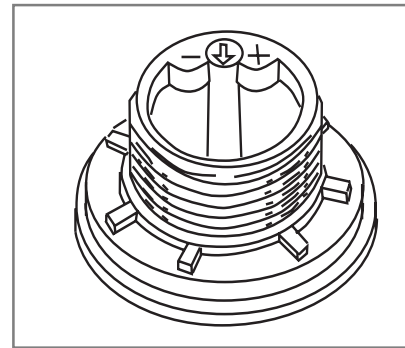
Der Salzbehälter muß nach gefüllt werden sobald die auf der Schalterblende befindende Nachfüllanzeige aufleuchtet.

Um Rostbildung zu vermeiden, füllen Sie das Salz am besten kurz vor einem kompletten Spülgang einzu.

Einstellen des Salzverbrauchs

Der Geschirrspüler ist für das Einstellen des Salzverbrauchs je nach Härtebereich des Wassers vorbereitet, so daß der Salzverbrauch auf ein notwendiges Minimum optimiert und individuell gestaltet werden kann.

Zum Einstellen verfahren Sie bitte die folgt:



- Schrauben Sie den Stöpsel des Salzvorratbehälters ab.
- Auf dem Rand des Behälters befindet sich ein Pfeil (siehe nebenstehende Abbildung).
- Drehen Sie den Pfeil entgegen dem Uhrzeigersinn von "-" nach "+", je nach Härte des verwendeten Wassers.

Wir empfehlen, die Einstellen nach dem folgenden Schema vorzunehmen:

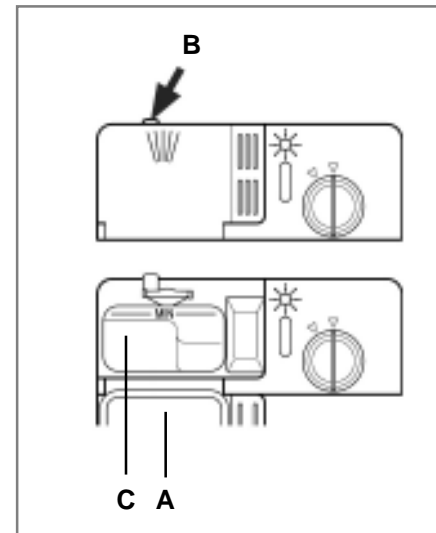
Wasserhärte						
Niveau	°fH	°dH	mmol/l	Positionswähler	Salzverbrauch (gramm/spülgang)	Reichweite (Spülgänge/2 kg)
1	0 ÷ 14	0 ÷ 17	0 ÷ 1,7	/	0	/
2	14 ÷ 36	18 ÷ 44	1,8 ÷ 4,4	"-"	20	60
3	36 ÷ 71	45 ÷ 89	4,5 ÷ 8,9	MED	40	40
4	>71	>89	>8,9	"+"	60	25

Reiniger

Der Einsatz spezifischer Reiniger für Geschirrspüler garantiert bessere Reinigungsergebnisse. Füllen Sie den Reiniger vor Beginn des Spülgangs gemäß den Anweisungen des Abschnitts "Programm-Tabelle" ein. Der Reinigerbehälter befindet sich auf der Innenseite.

Einfüllen des Behälters

Drücken sie die Taste "B", um den Deckel "A" zu öffnen. Füllen Sie den Reiniger für den Spülgang in die Mulde "C". Nach Drücken Sie nach dem Einfüllen des Reinigers den Deckel bitte so zu, daß er einrastet.



Achtung: Um das Einrasten des Deckels zu erleichtern säubern Sie bitte die Kammerkanten vor dem Verschließen von eventuellen Reinigerresten.

Klarspüler

Die Verwendung des Klarspülers fördert das Trocknen und verleiht Ihrem Geschirr strahlenden Glanz. Der Klarspüler befindet sich im Türinnern und muß nach ungefähr jeweils 80 Spülgängen neu aufgefüllt werden; (bei den mit einer Nachfüllanzeige bestückten Modellen wird der Klarspüler eingefüllt, wenn die entsprechende Kontrollleuchte aufleuchtet).

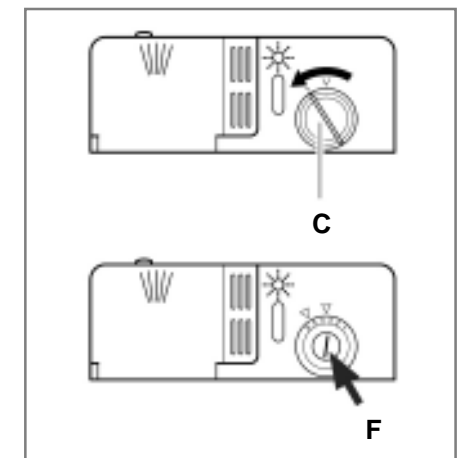
Einfüllen des Klarspülers

Drehen Sie den Deckel "C" des Klarspülerbehälters ab und füllen Sie den Klarspülerbehälter. Bei Einfüllen darauf, daß kein Klarspüler überläuft. Der Klarspüler kann durch Regulieren (mittles eines Schraubenziehers) des unter dem Deckel "C" befindenden Reglers "F" dosiert werden. Es sind 6 verschiedene Einstellungen möglich, normalerweise ist er auf Pos. 3 voreingestellt.

Wichtig:

Eine geeignete Klarspüler-Dosierung ermöglicht ein optimales Trocknen.

Sollten auf dem Geschirr nach dem Spülen Wassertropfen oder flecken hinterbleiben, muß der Dosierer höher eingestellt werden. Sollten auf dem Geschirr weiße Streifen hinterbleiben, muß der Dosierer niedriger eingestellt werden.



Einsortieren des Geschirrs

Entfernen Sie die größten Speisereste, bevor Sie das Geschirr in die Körbe einsortieren, damit der Filter nicht von dem verstopft, was die Reinigungskraft herabsetzen würde. Stark verschmutzte Töpfe und Pfannen mit angetrockneten Speiseresten sollten vorher eingeweicht werden. Sie vermeiden hierdurch, Spülgänge wiederholen zu müssen. Ziehen Sie die Körbe ganz heraus, Sie erleichtern sich hierdurch das Einsortieren des Geschirrs.

Was gehört in den Unteren Korb

Sortieren Sie in den Unteren Korb Geschirr wie:

Töpfe, Deckel, flache und tiefe Teller, wie auf den Abbildungen veranschaulicht.

Servierteller und große Deckel sollten an den Seiten des Korbes einsortiert werden, und zwar so, daß der obere Sprüharm nicht blockiert wird.

- Töpfe, Salatschüsseln usw. müssen immer umgedreht, d.h. mit dem Boden nach oben gelegt werden;
- Große Töpfe sollte schräg einsortiert werden, damit das Wasser besser ablaufen kann;
- 2 der Tellerhalter im Unterkorb können Sie umklappen, 2 ganz herausnehmen. Sie erhalten dann mehr Platz für grosse Geschirrtteile (Siehe Abb.A).
- Der Besteckkorb kann zweigeteilt werden (siehe Abb.B). Ist nur wenig Besteck zu spülen kann somit eine Korbhälfte entfernt werden. Sie gewinnen hierdurch Platz für Ihre Töpfe; außerdem kann er so auch in den Oberen Korb gestellt werden.
- Sortieren Sie das Besteck Griffen mit nach unten in den Besteckkorb. Ist der Besteckkorb seitlich mit Schlitzen versehen, sollten Teelöffel einzeln in diese Schlitze eingesteckt werden. Besonders langes Besteck sollte vorne in den Oberen Korb eingelegt werden.

Was gehört in den Oberen Korb

Sortieren Sie in den Oberen Korb das empfindliche und leichte Geschirr wie Gläser, Tee- und Kaffeetassen, Untertassen, und Teller, flache Schüsseln, leicht verschmutzte flache Töpfe und Pfannen.

- Sortieren Sie das Geschirr so ein, daß es durch den Wasserstrahl nicht umgeworfen wird.

Der Oberen Korb ist höhenverstellbar (siehe Abb.C).

Richten Sie den Oberen Korb zur höheren Höhe ab, dass Sie mehr Raum für Unterbringung höherer Teller und Tablette in dem Unteren Korb haben.

Regal

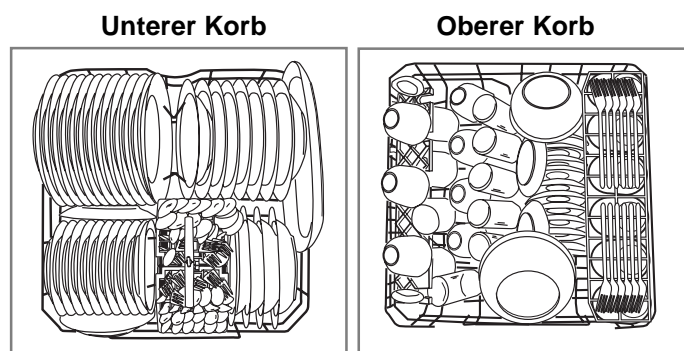
Stellen Sie das Glas und andere Waren mit längerem Stiel darauf, um das Stören anderer Waren zu vermeiden.

Setzen Sie Glas, Tasse und kleinen Schüssel auf den zusätzlichen Tassenregal, der nach dem Wunsch des Kunden ausgebaut oder eingebaut ist. (Siehe Abb.D)

Messerhalter

Der Messerhalter ist speziell für lange Messer und Gabeln konstruiert.

- Bringen Sie den Messerhalter in der richtigen Position des Obergestells an, und legen Sie die langen Messer und Gabeln auf dem Messerhalter zur Reinigung. (Siehe Abb.E)



12 Maßgedecke

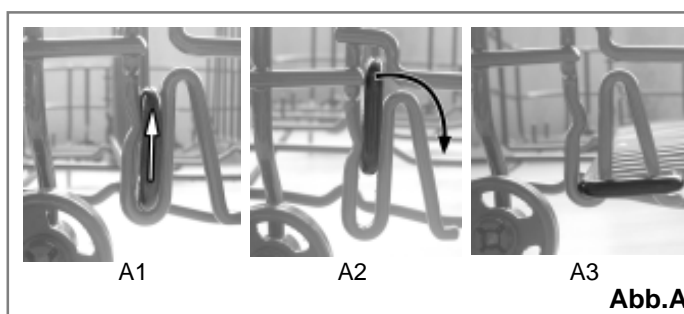


Abb.A

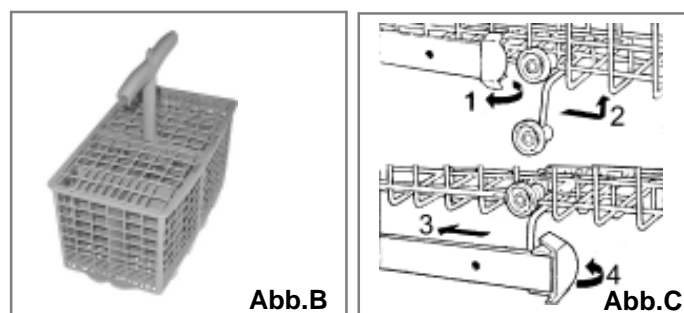


Abb.B

Abb.C

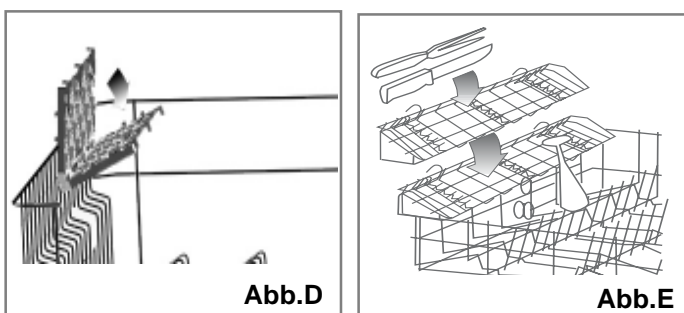


Abb.D

Abb.E

Inbetriebnahme des Gerätes

Ein Geräte starten...

Nachdem Sie alle vorstehend aufgeführten Installationsschritte durchgeführt haben, drehen Sie den Wasserhahn ganz auf; Öffnen Sie teilweise die Tür der eschirrspülmaschine, und drücken Sie dann die ON-OFF Taste "A" auf dem Bedienfeld. Die Anzeigelampe "B" leuchtet auf. An diesem Punkt ist Die Geschirrspülmaschine nun eingeschaltet und bereit vor, um programmiert zu sein.

Spülprogramm einstellen und starten...

Wählen Sie den gewünschten Zyklus, indem Sie die Zyklusvorwählertaste "G", Jede Zeit drücken es Sie, beleuchtet die entsprechende Programmanzeige. Lampe "F" fängt an hintereinander zu blinken Wählen Sie bitte das nach Ihrer Meinung am richtigsten Spülprogramm (Insbesondere wenn Sie zum ersten Mal die Vorrichtung bedienen, schlagen Sie bitte die eSpülprogrammtable in der Anweisung nach).

Schließen Sie bitte die Tür. Nach einigen Minuten wird ein kurzes akustisches Signal ertönen. Das zeigt, dass das Spülprogramm schon begonnen hat und kann nicht mehr modifiziert werden. Wenn es nötig ist, schlagen Sie bitte "Unterbrechung oder Änderung des Spülprogramms nach Start des Spülablaufs" nach. Die Beendigung des Spülprogramms wird durch einen doppelten akustischen Schall signalisiert werden und die Anzeigebeleuchtung "F" wird abstellen.

Unterbrechung oder Änderung eines Spülprogramms nach Start des Spülablaufs...

Voraussetzung: Ein bereits gestartetes Spülprogramm kann nur geändert werden, wenn es nur kurze Zeit in Betrieb ist. Andernfalls kann das Reinigungsmittel bereits benutzt worden sein bzw. hat die Geschirrspülermaschine schon das Spülwasser abgelassen. In einem solchen Fall muss der Spülmittelbehälter wieder aufgefüllt werden (siehe Abschnitt "Einfüllen des Behälters").

Um ein bereits gestartetes Spülprogramm zu ändern, öffnen Sie zuerst die Tür und drücken Sie dann die ON-OFF Taste "A", befolgen Sie bitte die Anweisung im Absatz "Ein Geräte starten", "Spülprogramm einstellen und starten". Um ein neues Spülprogramm einzustellen.

Wenn Sie vergessen, einige von den Schüsseln zu bepacken...

Durch die Öffnung der Tür kann sorgfältig das Spülprogramm unterbrochen werden (um die Sprühung von heissem Wasser zu vermeiden). Wenn die Tür wieder geschlossen wird, nach 30 Sekunden fängt das Programm automatisch wieder an.

Am Ende Ablauf des Spülprogramms...

Nach dem Ende des Spülprogramms ist ein sechsmaliger Signalton zu hören, um anzuzeigen dass der Spülablauf beendet ist; die Spülprogrammleuchte (F) wird ausgeschaltet. Schalten Sie die Taste ON-OFF aus. Drehen Sie den Wasserhahn zu und öffnen Sie die Tür. Warten Sie ein paar Minuten, bevor Sie das Geschirr ausladen, da es zu Beginn noch sehr heiß ist. In diesem Zustand kann das Geschirr wesentlich leichter zerbrechen. Außerdem trocknet das Geschirr so besser.

Einstellung der Startverzögerungszeit

Öffnen Sie die Tür von der Geschirrspülmaschine teilweise, wenn der Knopf "J" gedrückt ist (Sehen Sie "Näheausblick der Steuertafel"). Die Startzeit für das Spülprogramm kann für 2, 4, 6, 8, 10 oder 12 Stunden verzögert werden. Jedes Mal drücken Sie den Knopf, blinken dann die Licht "I" und zeigt die Länge der Verzögerung an.

Nach der Wahl der Verzögerungszeit, können Sie dann das Spülprogramm einstellen. Die Bedienungsweise wird in "Einstellung des Spülprogramms..." erklärt.

Dort wird ein kurzes akustisches Signal klingt und wird die Verzögerungszeit beginnen. unten zu zählen. Während dieser Periode wird die Verzögerungsanzeigelampe (I) blinken. Am Ende der Verzögerungszeit wird die Anzeige stoppt. und das Programm starten wird.

Achtung:


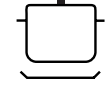





a) Während der Verzögerungsperiode, kann keine der Einstellungen modifiziert werden. Wenn es nötig ist, können Sie die Taste ON-OFF "A" auf dem Bedienfeld drücken, um das Programm abzustellen.

b) Wenn während der Verzögerungsperiode die Tür geöffnet ist, wird der Count-down stoppen. Wenn die Tür abgeschlossen worden ist, wird er wieder beginnen.

Tasten zur Spülprogrammeinstellung

Taste für halbe Ladung

Mit dieser Taste (Sehen Sie "Näheausblick der Steuertafel", Buchstabe "C") können Sie nur das Obergestell verwenden, wenn es nicht so viele Schüsseln für eine ganze Ladung gibt. Das kann Ihnen ermöglichen, das Wasser und die Elektroenergie einzusparen. Das kann nicht benutzt werden, wenn Sie das Hochleistungspülprogramm wählen.

Programm	Hinweise zur Wahl des Programmes	Beschreibung des Spülgangs	Reinigungsmittel	Spülmittel
 Starkspülprogramm	Stark verschmutztes Geschirr, sowie Pfannen und Töpfe (nicht geeignet für empfindliches Geschirr).	Vorspülgang mit warmem Wasser. Verlängerter Spülgang bei 70°C. Nachspülen mit kaltem Wasser. Nachspülen mit heißem Wasser. Trocknen.	30g	★
 Normal Programm	Normal verschmutztes Geschirr, Töpfe und Pfannen. Programm für den täglichen Abwasch.	Zweite Vorwäsche mit kaltem Wasser. Verlängerter Spülgang bei 55°C. Nachspülen mit kaltem Wasser. Nachspülen mit heißem Wasser. Trocknen.	30g	★
 Verkürztes Programm (IEC-EN 50242)	Normal verschmutztes Geschirr und Töpfe ohne angetrocknete Speisereste.	Vorspülgang mit kaltem Wasser. Verlängerter Spülgang bei 50°C. Nachspülen mit kaltem Wasser. Nachspülen mit heißem Wasser. Trocknen.	5g+25g	★ (5)
 Schonprogr. für Gläser	Kurzes Sparprogramm für temperaturempfindliches, Sofort nach dem Gebrauch zu reinigendes Geschirr.	Spülgang bei 60°C. Mit warmem Wasser klarspülen. Nachspülen mit heißem Wasser. Trocknen.	15g	★
 Schnellspülprogramm	Sparprogramm für nicht stark verschmutztes Geschirr sofort nach dem Gebrauch. Kein Trockenprogramm.	Kurzes Spülen mit 40°C. Klarspülen.	15g	
 Einweichen	Kurzes Abspülen des Geschirrs und der Töpfe, die später gereinigt werden sollen.	Kurzes Kalt-Abspülen, um das Trocknen von Speiseresten zu vermeiden.		
 Heißes Spülen	Das Programm von heißem Spülen und Trocken des Tischgeschirrs	Heißes Spülen		★

- Schalten Sie den Geschirrspüler erst ein, wenn er voll beladen ist. Sie sparen hierdurch wertvolle Energie. Schalten Sie evtl. das Einweichprogramm ein, um Geruchsbildung oder ein Antrocknen der Speisereste zu vermeiden.
- Wählen Sie das geeignete Programm: Die Wahl des Programms hängt von der Art des Geschirrs und dessen Verschmutzungsgrad ab.

- Dosieren Sie die richtige Reinigungsmittelmenge: Durch Einfüllen von zu viel Reiniger wird Ihr Geschirr nicht sauberer, Sie belasten hierdurch nur die Umwelt.
- Es ist nicht nötig, das Geschirr vor dem Einsortieren abzuspülen.

So halte ich das Gerät in Topform

Nach jedem Spülgang

Drehen Sie nach jedem Spülgang den Wasserhahn zu und lassen Sie die Tür Ihres Geschirrspülers angelehnt, um die Bildung von Feuchtigkeit oder Gerüchen im Geräteinnern zu vermeiden.

Netzstecker aus der Steckdose ziehen

Ziehen Sie vor jeder Reinigung bzw. Wartungsarbeiten den Netzstecker aus der Steckdose.

Keine Lösungs- oder Scheuermittel verwenden

Reinigen Sie die äußeren Gehäuseteile des Gerätes weder mit Lösungs- noch mit Scheuermitteln, sondern mit einer warmen, milden Seifenlauge.

Eventuelle Flecken auf den inneren Gehäuseteilen sind mit einem mit Wasser und etwas Essig angefeuchteten Tuch, oder mit einem Spezialreiniger für Geschirrspüler zu entfernen.

Bei einem Umzug

Bei einem Umzug sollte das Gerät möglichst aufrecht transportiert werden, im Notfall kann es die Rückseite gelegt werden.

Dichtungen

Eine der Ursachen für die Entstehung von Gerüchen im Innern des Gerätes sind Speisereste, die sich in den Dichtungen festsetzen. Die Dichtungen sollten demnach regelmäßig mit einem feuchten Schwamm gereinigt werden.

Vor den Ferien

Bei längerer Abwesenheit, empfehlen wir einen Spülgang bei leerem Gerät durchlaufen zu lassen; danach den Netzstecker aus der Steckdose zu ziehen und den Wasserhahn abzdrehen. Lassen Sie die Gerätetür angelehnt. Sie schonen hierdurch nicht nur die Dichtungen, sondern vermeiden die Bildung von Gerüchen.

Reinigung und Pflege

Filter

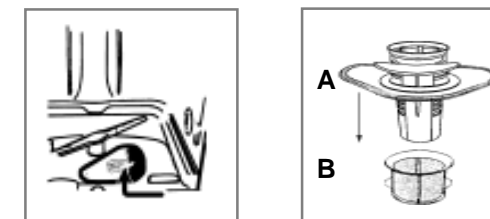
Um optimale Spülergebnisse zu gewährleisten, sind die Filter regelmäßig zu reinigen.

Die Spüllauge wird dank der Filter von Speiseresten befreit, das Wasser wird gereinigt wieder in Umlauf gebracht. Aus diesem Grunde sollten die im Filtereinsatz und im halbrunden Filter "A" zurückgehaltenen groben Speisereste nach jedem Spülprogramm unter fließendem Wasser gereinigt werden. Ziehen Sie den Filtereinsatz am Griff nach oben heraus. Mindestens einmal monatlich sind sämtliche Filter, d.h. der Filter "A" und der Mikrofilter "B" gründlich zu reinigen.

Reinigen Sie letztere mit Hilfe einer Reinigungsbürste. Setzen Sie dann die zwei Teile, wie in der untenstehenden Abbildung, wieder ein. Der Geschirrspüler darf niemals ohne Filter benutzt werden. Das unsachgemäße Einsetzen der Filter kann das Reinigungsergebnis beeinträchtigen oder das Gerät oder Geschirr beschädigen.

Reinigung der Sprüharms

Die Löcher bzw. Schlitze der Sprüharms könnten durch Speisereste verstopft werden, kontrollieren und reinigen Sie auch diese regelmäßig (siehe Abschnitt "Aus der Nähe betrachtet" (Innenteile) Buchstabe D-F).



Reinigung des Wassereinflussfilters

Reinigen Sie periodisch den Wassereinflussfilter (sehen Sie das Abbild), der auf dem Auslass des Wasserhahns liegt. Nach der Schließung des Wasserhahns drehen Sie das Ende des Wasserschlauchs heraus. Entfernen Sie den Filter und reinigen Sie ihn vorsichtig mit auflaufendem Wasser. Dann setzen Sie den Filter und den Wasserschlauch zurück.

Gibt's ein Problem?

Bevor Sie bei einer eventuellen Störung oder schlechten Leistung des Gerätes den Kundendienst anfordern, kontrollieren Sie bitte, ob Sie bei Einschalten des Gerätes nichts etwas vergessen haben.

Der Geschirrspüler startet nicht

Bitte kontrollieren Sie, ob :

der Netzstecker korrekt in die Steckdose eingesteckt wurde;
kein Stromausfall herrscht;
die Tür richtig geschlossen wurde;
die ON-OFF Taste auf "ON" steht;
der Wasserhahn aufgedreht wurde.

Der Geschirrspüler Lädt kein Wasser

Bitte kontrollieren Sie, ob :

der Wasserhahn aufgedreht und korrekt am Schlauch angeschlossen wurde;
die Wasserzufuhr unterbrochen bzw;
der Druck zu niedrig ist;
der Schlauch eingeklemmt ist;
der Zufuhrschlauch-Filter verstopft ist.

Das Geschirr ist nicht sauber

Bitte kontrollieren Sie, ob :

der Wasserhahn aufgedreht und korrekt am Schlauch angeschlossen wurde;
die Wasserzufuhr unterbrochen wurde bzw;
der Druck zu niedrig ist;
der Schlauch eingeklemmt ist;
der Zufuhrschlauch-Filter verstopft ist.

Das Wasser läuft nicht ab

Bitte kontrollieren Sie, ob :

der Ablaufschlauch eingeklemmt ist.

Es bleiben Kalkflecken auf dem Geschirr zurück

Bitte kontrollieren Sie, ob :

der Stöpsel des Salzbehälters richtig geschlossen wurde;
der Dosierer des Klarspülers korrekt reguliert wurde.

Fehlermeldungen

Die Geschirrspülmaschine ist mit einem Sicherungssystem ausgerüstet, das die Operationsprobleme und Fehlfunktionenerkennen kann. Die Fehlfunktionen sind durch das schnelle Anblinzeln von einem der "F" Programm LEDs signalisiert. Nur wenn die Anzeigebeleuchtung für Einweichenprogramm (Sehen Sie Tabelle für Programme) schnell anblinzelt, sollen Sie nach der Beschreibung im Abschnitt "Änderung des Programms nach Start des Spülablaufs" das Programm abstellen. Dann checken und sichern Sie, dass es Wasser in der Leitung gibt und der Wasserhahn schon angedreht ist. Wenn die Fehlermeldung noch bleibt, rufen Sie bitte für technische Hilfe an und zeigen Sie bitte die Fehlermeldung an.

Wenn andere Anzeigebeleuchtung schnell blinzelt, machen Sie das Apparat aus. Rufen Sie bitte für technische Hilfe an und zeigen Sie bitte an, welche Beleuchtung blinkt.


Sollte Ihr Geschirrspüler trotz aller Kontrollen nicht funktionieren, oder sie den Fehler nicht beheben können, dann fordern Sie bitte, unter Angabe nachfolgender Daten, den nächstgelegenen, autorisierten Kundendienst an:

- Art der Störung

- Kennnummer des Modells (Mod...) Seriennummer (S/N...), ersichtlich auf dem Schild an der Innenseite der Tür angebrachten Typenschild .

Lassen Sie die Fehler niemals durch nicht autorisiertes Personal beheben und verweigern Sie die Installation von Ersatzteilen, wenn es sich nicht um Originalteile handelt.



Das Symbol  auf dem Produkt oder seiner Verpackung weist darauf hin, dass dieses Produkt nicht als normaler Haushaltsabfall zu behandeln ist, sondern an einem Sammelpunkt für das Recycling von elektrischen und elektronischen Geräten abgegeben werden muss. Durch Ihren Beitrag zum korrekten Entsorgen dieses Produkts schützen Sie die Umwelt und die Gesundheit Ihrer Mitmenschen. Umwelt und Gesundheit werden durch falsches Entsorgen gefährdet.

Weitere Informationen über das Recycling dieses Produkts erhalten Sie von Ihrem Rathaus, Ihrer Müllabfuhr oder dem Geschäft, in dem Sie das Produkt gekauft haben.

Installation

Aufstellen

Stellen Sie das Gerät an der gewünschten Stelle auf. Das Gerät kann mit den Seitenteilen, oder mit der Rückseite an angrenzende Möbelteile oder an der Wand angelehnt werden. Der Geschirrspüler ist mit Zufuhr- und Ablaufschläuchen bestückt, die, je nach den Installationsgegebenheiten, sowohl nach rechts als auch nach links geleitet werden können.

Nivellieren

Richten Sie das Gerät mittels der Stellfüße eben waagrecht aus. An den Stellfüßen befinden sich Schrauben; durch Anziehen oder Lösen dieser Schrauben können Sie, die Höhe des Gerätes, das Gerät darf auf keinen Fall eine Neigung von mehr als 2° aufweisen. Eine korrekte Nivellierung gewährleistet eine korrekte Betriebsweise des Gerätes.

Anschluß an die Kaltwasserleitung

Schließen Sie den Zufuhrschlauch mittels einer 3/4 Gewindeverbindung an die Kaltwasserleitung an und ziehen Sie die Mutter fest an (siehe Abb.2).

Einige Modelle sind mit einem "Aquastop" Wasserschlauch ausgestattet (siehe Abb.1), in dem der kleine Filter schon im eingefädelt Ende untergebracht ist.

Sollte es sich um neue Leitungen handeln, oder um Leitungen, die für längere Zeit nicht benutzt wurden, dann lassen Sie das Wasser so lange laufen, bis es ganz klar ist, eventuelle Schmutzreste könnten zu Verstopfung der Zufuhrleitung führen, und zu Schäden am Gerät führen.

Anschluß an die Warmwasserleitung

Das Gerät kann auch an eine Warmwasserleitung angeschlossen werden, solange die Wassertemperatur 60°C nicht überschreitet. In diesem Fall wird das Spülprogramm um ca. 15 Minuten verkürzt und die Reinigungswirkung etwas verringert.

Der Anschluß an die Warmwasserleitung erfolgt auf dieselbe Weise wie der an die Kaltwasserleitung.

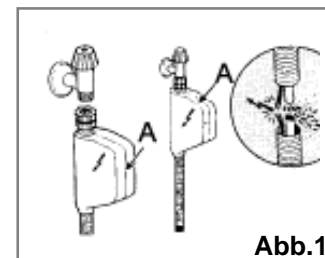


Abb.1

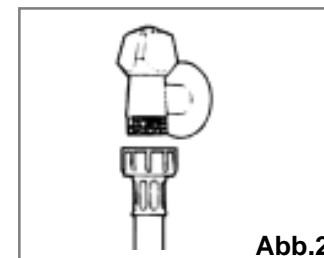


Abb.2

ACHTUNG:

Das Gerät ist an die Wasserversorgung unter Verwendung neuer Schlauchsätze anzuschließen und alte Schlauchsätze werden nicht wiederverwendet.

Überlaufschutz

Der Geschirrspüler ist mit einem System ausgestattet, dank dessen bei einem eventuellen Schaden am Wasserzulaufschlauch oder bei Leckstellen im Innern des Gerätes sofort die Wasserzufuhr unterbrochen wird, wodurch Schäden in Wassersch Ihrer Wohnung vermieden werden. Sollte das Gehäuse (das stromführende Teile enthält) aus irgendwelchen Gründen beschädigt werden, ist der Netzstecker sofort aus der Steckdose zu ziehen.

Um eine ordnungsgemäße Funktionsweise des Überschwemmungsschutzes zu garantieren, muß das Gehäuse "A" mit dem Wasserzulaufschlauch ausschließlich in der Stellung wie in Abb.1 veranschaulicht, angeschlossen werden. Der Zulaufschlauch darf auf keinen Fall durchgeschnitten werden, da er stromführende Teile enthält. Sollte der Schlauch zu kurz sein, muß er durch einen anderen Schlauch von geeigneter Länge ersetzt werden. Einen solchen Schlauch können Sie bei einem Fachhändler oder Ihrer Kundendienststelle erhalten oder bestellen.

Anschluß des Abwasserschlauches

Stecken Sie den Ablaufschlauch in eine Ablaufleitung mit einem Durchmesser von mindestens 4 cm, oder legen Sie ihn in das Spülbecken; verwenden Sie die mitgelieferte Spezial Krümmung aus Plastik (siehe Abb.3), um den Schlauch nicht zu knicken oder einzuklemmen. Das Schlauchende muß in einer Höhe 40 bis 100 cm, auslaufen und darf nicht im Wasser eingetaucht sein.

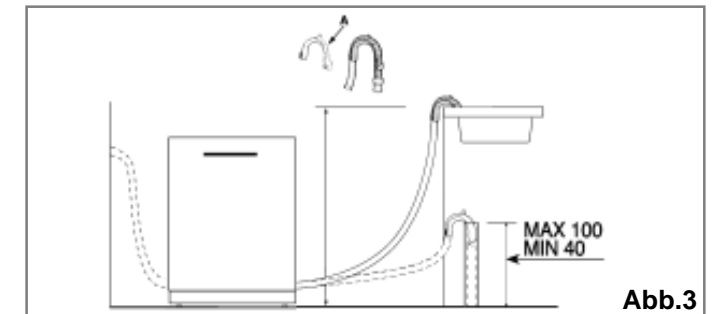


Abb.3

Achtung:

Die Spezialkrümmung aus Plastik muß fest an der Mauer befestigt werden, um zu vermeiden, daß der Ablaufschlauch abrutscht, und so das Wasser außerhalb des Ablaufrohres abläuft.

Elektroanschluß

Stecken Sie den Netzstecker in eine mit einer leistungsfähigen Erdung versehene Steckdose (die Gewährleistung der Sicherheit durch eine Erdung der Anlage ist gesetzlich vorgeschrieben), nachdem Sie sich vergewissert haben, daß die Spannungs- und Frequenzwerte der Netzleitung mit den auf dem Typenschild auf der Innenseite der Tür angegebenen Werten übereinstimmt und daß die Kapazität des Stromkreises, an die das Gerät angeschlossen wird, der auf dem Typenschild angegebenen Strom-Bedarfsspitze des Gerätes entspricht.

Sollte sich die Steckdose, an die das Gerät angeschlossen werden soll, für den an dem Gerät befindenden Netzstecker nicht eignen, soll der Letzterer mit einem geeigneten Netzstecker ersetzt werden, anstatt Adapterstecker oder ähnliches zurückzugreifen, die durchbrennen oder sich Überhitzung könnten.

Warnung:

Sofern die Vorrichtung als eine Eingebaut-Einheit installiert ist, muß der Anschlussstecker von der Geschirrspülmaschine zugreifbar sein, so dass die Instandhaltung gefahrlos machen kann.

La sécurité est une habitude qu'il est bon de cultiver

AVIS

Nous vous invitons à lire attentivement les instructions contenues dans ce manuel car elles vous fourniront des informations importantes pour installer, utiliser et entretenir votre appareil de façon correcte et en toute sécurité.

CE Cet appareil est conforme aux directives CEE :
 - 73/23/EEC du 19 février 1973 (Basse tension) et modifications successives ;
 - 89/336/EEC du 3 mai 1989 (Compatibilité électromagnétique) et modifications successives.

- Déballez l'appareil avec soin.
- Ensuite, assurez-vous qu'il n'a pas été endommagé pendant le transport. En cas de doute, adressez-vous à un professionnel qualifié.
- Le lave-vaisselle doit être utilisé exclusivement par des adultes, pour laver de la vaisselle et des ustensiles de cuisson.
- Cet appareil n'est pas conçu pour être utilisé par des enfants ou des personnes handicapées sans qu'une surveillance soit assurée.
- Il est recommandé de tenir les jeunes enfants sous contrôle afin d'éviter qu'ils ne jouent avec le lave-vaisselle.
- Conservez les détergents hors de portée des enfants. Tenez les enfants à l'écart du lave-vaisselle lorsque celui-ci est ouvert.
- Cet appareil ne peut être installé en extérieur, même si la zone est protégée par un toit. Il est également très dangereux de l'exposer à la pluie et aux éléments atmosphériques.
- Ne touchez en aucun cas la résistance pendant ou après un cycle de lavage.
- Ne vous appuyez pas et ne vous asseyez jamais sur la porte du lave-vaisselle car l'appareil pourrait basculer.

- Si le lave vaisselle ne fonctionne pas, fermez le robinet d'arrivée d'eau et débranchez l'appareil. Puis, consultez le chapitre intitulé "diagnostic rapide". Si vous ne pouvez résoudre le problème par vous-même, adressez-vous à un Service Après-vente.
 - Les réparations doivent être réalisées exclusivement par du personnel spécialisé.
 - Pour la mise au rebut, rendez les appareils inutilisables en sectionnant le câble d'alimentation et en démontant le verrou de la porte.-
 - Si le cordon d'alimentation est endommagé, il doit être remplacé par un câble spécial ou de montage disponible auprès du fabricant ou Service Après-vente.
 - La prise du secteur doit toujours être accessible, même après que l'appareil a été installé.
 - Règles essentielles qu'il convient d'observer au moment d'utiliser l'appareil :
 - * Ne touchez jamais le lave-vaisselle lorsque vous êtes pieds nus ou lorsque vos mains ou vos pieds sont mouillés ;
 - * L'utilisation de rallonges et de prises multiples est à proscrire ;
 - * Au cours de l'installation, assurez-vous que le cordon d'alimentation n'est pas plié ou écrasé de façon excessive, ce qui pourrait être dangereux ;
 - * Si l'appareil ne fonctionne pas correctement ou si l'entretien doit être effectué, débranchez l'appareil.
- Afin de garantir l'EFFICACITÉ et la SÉCURITÉ de l'appareil, nous vous conseillons :
- de toujours vous adresser à un Service Après-vente agréé par le fabricant. Toujours utiliser des pièces d'origine.

Premier plan (bandeau de commande)



- | | |
|--|--|
| A Bouton Marche-Arrêt | F Voyant programmes |
| B Voyant Marche-Arrêt | G Bouton sélection programmes |
| C Bouton "demi-charge" | H Voyant 1/2 charge |
| D Voyant manque de produit de rinçage | I voyant "départ différé" |
| E Voyant manque de sel | J Bouton sélection départ différé |

Premier plan de l'intérieur



- | | |
|--|---|
| A Support de Tasse | G Filtre de lavage |
| B Panier supérieur | H Distributeur de détergent et de liquide de rinçage |
| C Réglage de la hauteur du panier | I Bouchon du réservoir à sel |
| D Bras d'aspersion supérieur | J Panier à couverts |
| E Panier inférieur | K Etagère à couteaux |
| F Bras d'aspersion inférieur | L Troisième bras d'aspersion |

Caractéristiques techniques

Largeur	60 cm
Profondeur	58 cm
Hauteur	82 cm
Capacité	12 couverts standard
Pression de l'eau dans les conduits	0.03-0.6MPa
Tension d'alimentation	220-240V~ 50Hz
Puissance absorbée totale	1950W

Sel

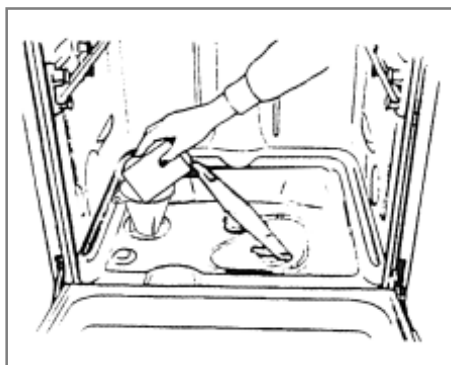
Le degré de dureté de l'eau varie d'un endroit à l'autre. Si l'eau qui alimente votre lave-vaisselle est dure, des dépôts se formeront sur la vaisselle et sur les ustensiles de cuisson.

Cet appareil est équipé d'un système d'adoucissement spécial qui utilise un sel spécialement conçu pour éliminer le calcaire et les minéraux présents dans l'eau.

Comment remplir l'adoucisseur

Utilisez exclusivement du sel spécial pour lave-vaisselle. Le distributeur de sel est situé en dessous du panier inférieur et doit être rempli de la manière suivante :

- Dégagez le panier inférieur, puis dévissez le bouchon du distributeur de sel et retirez-le ;
- Si vous remplissez le distributeur de sel pour la première fois, remplissez-le d'eau ;
- Placez l'extrémité de l'entonnoir (fourni) dans l'orifice et versez 2 kg de sel environ. Il est normal qu'une petite quantité d'eau s'échappe du distributeur de sel.
- Revissez soigneusement le bouchon.



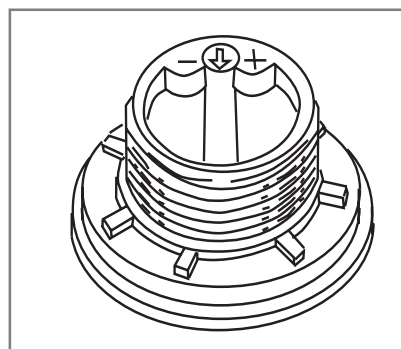
Remplissez le distributeur de sel uniquement lorsque le voyant de "niveau de sel" (situé sur le bandeau de commande) est allumé.

Afin d'éviter la formation de rouille, remplissez le distributeur de sel juste avant de lancer un cycle de lavage.

Réglage de la quantité de sel

Le lave-vaisselle est conçu de manière à ce que vous puissiez régler la quantité de sel nécessaire, en fonction du degré de dureté de l'eau de votre habitation. Ceci, afin de permettre d'optimiser et d'adapter la quantité de sel utilisée lors de chaque lavage en limitant celle-ci au minimum. Adressez-vous à votre société locale de distribution de l'eau pour connaître la classe de dureté de votre zone.

Pour régler la quantité de sel nécessaire, procédez de la façon suivante :



- Dévissez le bouchon du distributeur de sel;
- Le distributeur de sel est doté d'une bague sur laquelle figure une flèche (voir la figure ci-contre).
- Au besoin, tournez la bague dans le sens inverse des aiguilles d'une montre, de la position "-" vers le signe "+", en fonction du degré de dureté de l'eau.

Table d'information selon le réglage choisi.

Dureté de l'eau				Position sélecteur	Consommation sel (grammes/cycle)	Autonomie (cycles/2kg.)
Niveau	°fH	°dH	mmol/l			
1	0 ÷ 14	0 ÷ 17	0 ÷ 1,7	/	0	/
2	14 ÷ 36	18 ÷ 44	1,8 ÷ 4,4	"-"	20	60
3	36 ÷ 71	45 ÷ 89	4,5 ÷ 8,9	MED	40	40
4	>71	>89	>8,9	"+"	60	25

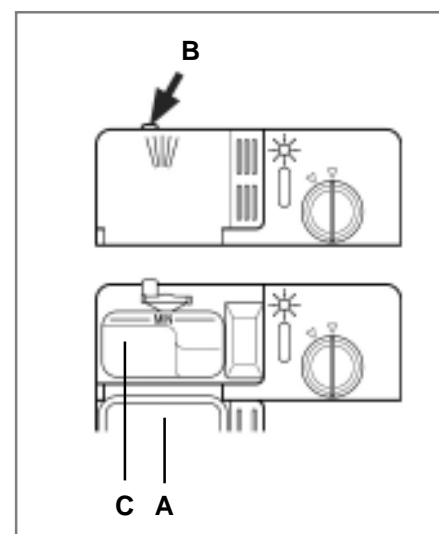
Détergent

Utilisez exclusivement un détergent spécial pour lave-vaisselle. Remplissez le distributeur de détergent avant de lancer un nouveau cycle de lavage, en respectant les instructions fournies dans le "Tableau des cycles de lavage." Le distributeur de détergent est situé sur la paroi intérieure de la porte.

Comment remplir le distributeur de détergent

Pour ouvrir le couvercle "A" du distributeur, appuyez sur la touche "B". Versez le détergent destiné au cycle de lavage dans le compartiment "C".

Dès que vous avez rempli le distributeur de détergent, refermez le couvercle et appuyez jusqu'à ce que vous entendiez un déclic.



Avertissement:

Afin de pouvoir refermer aisément le couvercle, nettoyez les bords de celui-ci en éliminant toute trace de détergent.

Attention:

Si la dureté de l'eau qui alimente votre lave-vaisselle est moyenne, vous pouvez, si vous le souhaitez, choisir des pastilles 3&1. Dans ce cas, il ne faut pas utiliser de liquide de rinçage, ceci pouvant provoquer un dysfonctionnement de votre appareil et sa mise hors-service.

En cas d'utilisation de tablettes 3&1, le voyant "manque de liquide de rinçage" restera allumé

Liquide de rinçage

Ce produit permet de faire briller votre vaisselle et facilite le séchage sans laisser de traces. Le distributeur de liquide de rinçage est situé sur la paroi intérieure de la porte. Remplissez-le au bout de 80 lavages (ou lorsque le voyant de niveau de liquide de rinçage s'allume - sur les modèles qui en sont équipés).

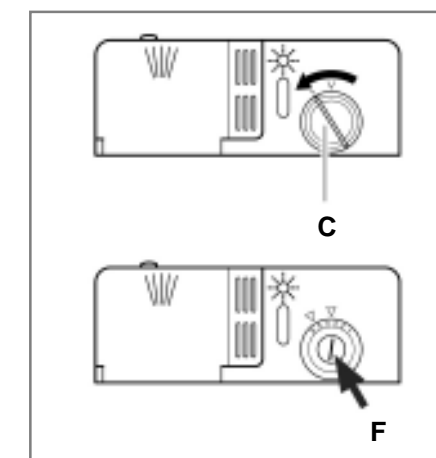
Comment remplir le distributeur de liquide de rinçage

Pour ouvrir le distributeur de liquide de rinçage, tournez le couvercle "C" dans le sens inverse des aiguilles d'une montre et remplissez le distributeur en veillant à ne pas faire déborder le liquide. Vous pouvez régler la quantité de liquide de rinçage nécessaire en tournant la vis de réglage "F", située en dessous du couvercle "C", à l'aide d'un tournevis. Il existe 6 positions de réglage ; la position 3 correspond à la quantité normale.

Remarque importante

Une quantité de liquide de rinçage correctement dosée améliore le séchage. Si vous constatez des gouttes d'eau ou des taches sur votre vaisselle, il convient de régler le dosage sur une position supérieure.

Si les assiettes présentent des striures blanches, réglez le dosage sur une position inférieure.



Comment remplir votre lave-vaisselle

Avant de ranger la vaisselle dans votre lave-vaisselle, éliminez tous les résidus d'aliments pour éviter que le filtre ne se bouche, ce qui compromettrait les résultats de lavage.

Si des aliments carbonisés et par conséquent très difficiles à détacher sont présents dans le fond de vos cocottes et casseroles, faites-les tremper avant de les laver au lave-vaisselle. Ceci permettra de ne pas effectuer de cycles de lavage supplémentaires. Tirez le panier vers vous afin de faciliter le chargement de la vaisselle.

Comment utiliser le panier inférieur

Nous vous conseillons de ranger les articles nécessitant un lavage plus puissant sur le panier inférieur : cocottes, casseroles, couvercles, plats de service et saladiers, comme représenté dans la figure de droite.

Il est recommandé de ranger les plats de service et les couvercles sur les côtés du panier afin de ne pas entraver la rotation du bras d'aspersion supérieur.

- Rangez toujours les cocottes, saladiers, etc. en les retournant.
- Rangez les cocottes profondes en les inclinant pour permettre à l'eau de s'écouler.
- Les particularités de support inférieures replient des rangées de dent (voir fig.A) sont pour que plus grand ou plus de vaisselles puissent être chargés.

- Le panier à couverts peut être réduit de moitié (voir la fig.B), ce qui permet de n'utiliser qu'une des deux sections lorsque la quantité de couverts est peu importante. Dans ce cas, vous disposez de plus d'espace pour ranger des cocottes ou des casseroles supplémentaires. Vous pouvez également placer le panier à couverts dans le panier supérieur.

- Rangez les couverts dans le panier à couverts en positionnant le manche vers le bas; si le panier dispose de paniers latéraux, disposez chaque cuillère dans les fentes prévues à cet effet. Les ustensiles particulièrement longs doivent être rangés à l'horizontal, dans la partie avant du panier supérieur.

Comment utiliser le panier supérieur

Le panier supérieur est conçu pour recevoir de la vaisselle plus fragile et légère telle que verres, tasses à café et à thé, saucières, de même que des assiettes, de petits bols et des casseroles peu profondes (si elles ne sont pas trop sales).

- Installez la vaisselle et les ustensiles de cuisson de façon à ce qu'ils ne puissent être déplacés par le jet d'eau.

Le panier supérieur peut être réglé en hauteur (voir la fig.C).

Ajustez le panier supérieur à un niveau plus haut et vous aurez plus d'espace pour charger des casseroles et plats plus grands dans le panier.

L'étagère

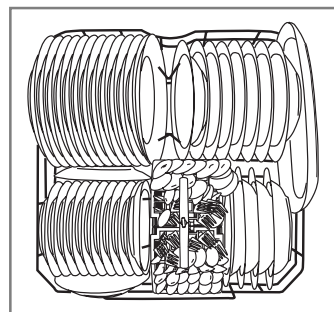
Appuyez les verres hauts et les verres à pied contre le bord de l'étagère, pas contre la vaisselle.

Les verres, les tasses et les grands bols se rangent sur l'étagère du haut. Vous pouvez faire basculer l'étagère dans les deux sens (voir la fig.D).

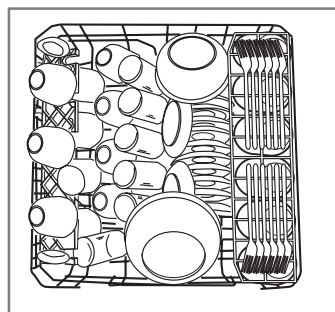
Etagère à couteaux

Les agrafes de support de couteau sur le côté du panier supérieur vous permettent de laver les grands couteaux pointus séparément et vous évitent de vous blesser (voir la fig.E).

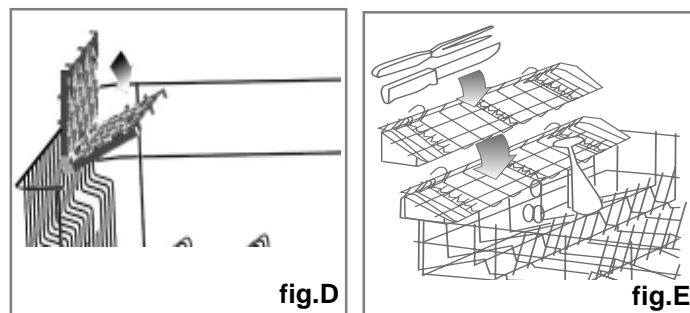
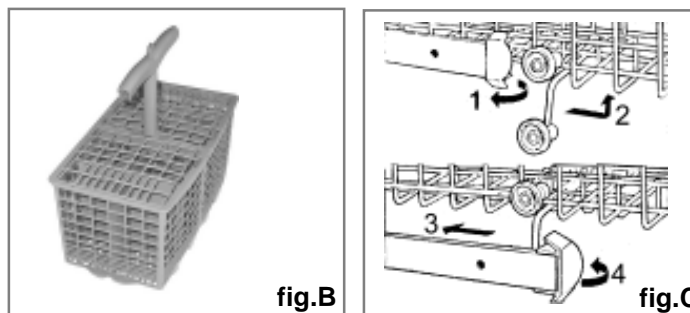
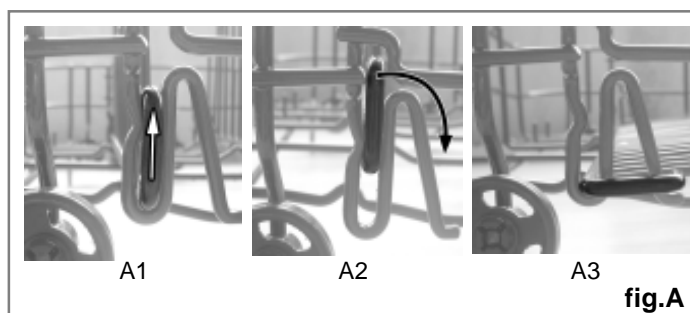
Panier inférieur



Panier supérieur



Capacité pour 12 couverts standard



Comment mettre l'appareil sous tension

Lancer un cycle de lavage...

Après avoir terminé toutes les étapes d'installation des paragraphes précédents, ouvrir l'alimentation d'eau, ouvrir partiellement la porte du lave-vaisselle et appuyer sur le bouton Marche-Arrêt "A" localisé sur le panneau de commande. Le voyant "B" s'allume. A ce stade, l'appareil est branché et prêt pour être programmé.

Configurer et lancer un cycle de lavage...

Choisir le cycle désiré en appuyant sur le bouton de choix de cycle "G". Chaque fois qu'il est appuyé, un des voyants de cycle "F" clignotera.

Choisir le cycle de lavage que vous trouvez approprié en fonction du type des vaisselles à laver (consulter la table de cycle lavage dans ce manuel, surtout lors de sa première utilisation). Fermer la porte et le cycle de lavage débute; il ne peut alors être modifié. Si nécessaire, lisez le paragraphe avec le titre "Annulation ou modification d'un cycle en cours de fonction" La fin du cycle sera signalée par un signal sonore à six coups et le voyant "F" s'éteint.

Annulation ou modification d'un cycle en cours de fonctionnement...

Un cycle en marche peut seulement être modifié lorsqu'il a débuté depuis un temps relativement court.

Autrement le détergent peut avoir déjà été utilisé et l'appareil peut avoir déjà évacué l'eau. Si c'est le cas, le distributeur de détergent doit être rempli à nouveau (voir le paragraphe avec le titre "le Chargement du détergent").

Pour changer le cycle en cours de fonctionnement, ouvrir la porte, appuyer sur le bouton Marche-Arrêt "A" et respecter les instructions dans le paragraphe intitulé "Lancer un cycle de lavage", "Configurer et lancer un cycle de lavage".

Si vous avez des pièces à rajouter...

Le cycle de lavage peut être interrompu en ouvrant la porte (attention aux projections d'eau chaude). Quand la porte est fermée de nouveau, le cycle reprendra automatiquement au point où il s'est arrêté après 30 minutes.

A la fin du cycle de lavage...

La fin du cycle sera indiquée par un signal sonore à six coups et le voyant "F" s'éteint. Ouvrez la porte, éteignez l'appareil avec l'interrupteur "Marche-Arrêt" et coupez l'alimentation en eau.

Attendez quelques minutes avant de sortir les plats afin d'éviter la chaleur et d'améliorer le résultat de séchage.

Régler le départ différé

Ouvrez la porte du lave-vaisselle partiellement. Utiliser la touche "J" (cf. bandeau de commande page 23) pour régler le lancement du cycle choisi dans 2,4,6,8,10 ou 12 heures. A chaque pression, la lumière "I" s'allumera en indiquant le retard souhaité. Après la sélection du temps de retard, le cycle peut être mis en service, comme expliqué dans "Lancer un cycle de lavage..." Fermer la porte, il y aura un signal sonore court et à ce point le compte à rebours se déclenchera. Ce compte à rebours est matérialisé par un témoin lumineux qui s'éteindra au démarrage du cycle de lavage.

NOTE:

- Durant le compte à rebours, aucune modification ne peut être effectuée. Si nécessaire, la programmation peut être annulée en appuyant sur le bouton Marche-Arrêt "A" localisé sur le panneau de commande.
- En cas de coupure électrique ou si la porte est ouverte, l'horloge s'arrêtera. et reprendra son décompte dès que l'alimentation électrique est rétablie ou que la porte est fermée.








Touche 1/2 Charge

Ce bouton (voir "Premier plan bandeau de commande", lettre "C") permet de laver des plats chargés uniquement dans le panier supérieur.

Cela vous permettra d'économiser l'énergie électrique et l'eau.

Il ne peut pas être utilisé pour laver de la vaisselle très sale.

Tableau des cycles de lavage

Cycle	Sélection du cycle Informations	Description du cycle	Détergent	Liquide de rinçage
 Lavage intensif	Plats, cocottes et casseroles très sales (à ne pas utiliser avec de la vaisselle fragile)	Prélavage à l'eau chaude. Lavage prolongé à 70°C. Rinçage à l'eau froide. Rinçage à l'eau chaude. Séchage.	30g	★
 Lavage normal	Plats, cocottes et casseroles normalement sales. Cycle de lavage quotidien.	Le deuxième prélavage utilise de l'eau froide. Lavage prolongé à 55°C. Rinçage à l'eau froide. Rinçage à l'eau chaude. Séchage.	30g	★
 Lavage léger (IEC-EN50242)	Plats normalement sales Casseroles et poêles restes de nourritures desséchés.	Prélavage à l'eau froide. Lavage prolongé à 50°C. Rinçage à l'eau froide. Rinçage à l'eau chaude. Séchage.	5g+25g	★ (5)
 Verres	Économique, cycle de lavage rapide pour des articles ne supportant pas les températures élevées. à utiliser pour de la vaisselle peu sale, juste après utilisation.	Lavage à 60°C. Rincer avec de l'eau tiède. Rincer à chaud. Séchage.	15g	★
 Lavage court	Économique, cycle de lavage rapide à utiliser pour de la vaisselle peu sale, juste après utilisation. N° cycle de séchage.	Lavage rapide à 40°C. Rinçage à l'eau froide.	15g	
 Trempage	Prélavage de plats, de cocottes et de casseroles en attendant de remplir le lave-vaisselle avec la vaisselle du repas suivant.	Lavage rapide à froid pour éviter que des résidus d'aliments ne sèchent sur la vaisselle.		
 Chauffe-plat	Cycle chauffe-plat.	Rinçage chaud.		★

Conseils pour économiser l'énergie

- Il est important de faire fonctionner votre lave-vaisselle lorsque celui-ci est plein, afin d'économiser l'énergie. Pour éviter que des odeurs ne se dégagent et que des aliments ne sèchent sur la vaisselle à laver, vous pouvez utiliser un cycle à froid.
- Sélectionnez le cycle de lavage le mieux approprié : ce choix dépend du type de vaisselle et d'ustensiles de cuisson à laver ainsi que de leur degré de salissure.

- Utilisez la quantité de détergent adéquate : une quantité de détergent trop importante ne garantit pas un meilleur résultat de lavage. En outre, l'impact sur l'environnement n'en sera que plus négatif.
- Ne rincez pas la vaisselle et les ustensiles de cuisson avant de les ranger dans le lave-vaisselle, car cela est inutile.

Comment maintenir votre lave-vaisselle en bon état de fonctionnement

Après chaque lavage

Après chaque lavage, fermez le robinet d'arrivée d'eau et laissez la porte légèrement entrouverte, de façon à libérer les moisissures et les odeurs susceptibles de se former à l'intérieur de l'appareil.

Débrancher l'appareil

Débranchez toujours l'appareil avant de procéder aux opérations de nettoyage ou d'entretien. Ne prenez aucun risque.

Éviter les solvants et les produits d'entretien abrasifs

Pour le nettoyage de l'extérieur et des parties en caoutchouc de l'appareil, n'utilisez en aucun cas de solvants ou de produits d'entretien abrasifs. Utilisez un chiffon imbibé d'une solution d'eau chaude et de savon.

Pour enlever les taches ou salissures présentes sur la surface intérieure de votre appareil, utilisez un chiffon que vous tremperez dans une solution d'eau et de vinaigre blanc, ou un produit d'entretien spécifique pour lave-vaisselle.

Comment déplacer votre appareil

Si vous devez déplacer votre appareil, veillez à le laisser dans la position verticale. Si cela est absolument nécessaire, il peut éventuellement être posé sur le dos.

Joint

La présence de résidus d'aliments dans les interstices des joints du lave-vaisselle favorise la formation d'odeurs à l'intérieur de celui-ci. Nettoyez régulièrement les joints avec une éponge pour éviter cet inconvénient.

Absence prolongée

En cas d'absence prolongée, il est conseillé de lancer un cycle de lavage à vide, de débrancher l'appareil, de fermer le robinet d'arrivée d'eau et de laisser la porte de l'appareil légèrement entrouverte. Cette précaution permet d'allonger la durabilité des joints et empêche la formation de mauvaises odeurs à l'intérieur du lave-vaisselle.

Nettoyage et précautions particulières en matière d'entretien

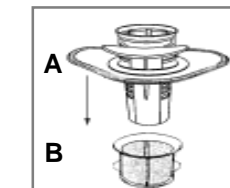
Montage du filtre

Pour obtenir des résultats de lavage satisfaisants, il est important que le filtre soit propre.

Le filtre recueille efficacement les particules d'aliments présentes dans l'eau de lavage et permet de réutiliser celle-ci au cours du cycle de lavage. C'est pourquoi il est recommandé de débarrasser le filtre des grosses particules d'aliments après chaque cycle de lavage. Pour ce faire, rincez le filtre semi-circulaire et le godet "A" à l'eau courante. Pour démonter le filtre, tirez sur la poignée du godet en la tirant vers le haut. Le groupe filtre (constitué du filtre semi-circulaire "A" et du filtre à petits grains "B") doit être nettoyé au moins une fois par mois. Pour le nettoyer le filtre et le filtre à petits grains, utilisez une brosse de nettoyage. Remontez ensuite les différents éléments comme illustré dans les figures ci-dessous et installez à nouveau le groupe filtre à l'intérieur du lave-vaisselle, en le positionnant dans son logement et en appuyant vers le bas. N'utilisez jamais le lave-vaisselle sans avoir préalablement installé les filtres. Un montage incorrect des filtres peut nuire aux résultats de lavage de l'appareil et endommager la vaisselle et les ustensiles de cuisson.

Comment nettoyer les bras d'aspersion

Il peut arriver que des particules d'aliments s'incrustent dans les bras d'aspersion et bloquent les orifices (voir "Premier plan [intérieur]", lettres D-F). Contrôlez régulièrement les bras d'aspersion et nettoyez-les lorsque cette opération s'avère nécessaire.



Nettoyer le filtre d'entrée d'eau

Vous devez nettoyer régulièrement le filtre d'entrée d'eau situé à la sortie du robinet (voir illustration).

Après avoir fermé le robinet, ouvrez le sommet du tuyau d'entrée d'eau, sortez le filtre et nettoyez-le dans l'eau attentivement. Et puis remettez le filtre et bien serrez le tuyau d'eau.

Il se peut que votre lave-vaisselle ne fonctionne pas ou fonctionne de manière incorrecte. Avant de contacter votre Service Après-vente, contrôlez d'abord les points suivants: n'avez-vous pas oublié de presser l'une des touches ou bien d'effectuer une opération fondamentale?

Le lave-vaisselle ne démarre pas Contrôlez que :

- la fiche est correctement introduite dans la prise du secteur ;
- il n'y a pas de coupure de courant ;
- la porte est fermée correctement ;
- la touche Marche-Arrêt est sur "Marche" ;
- le robinet d'eau est ouvert.

Le lave-vaisselle ne charge pas l'eau

Contrôlez que :

- le robinet d'arrivée d'eau est ouvert et que le tuyau d'alimentation est raccordé correctement ;
- l'alimentation en eau de votre habitation n'a pas été coupée et que la pression est suffisante ;
- le tuyau d'alimentation n'est ni écrasé ni plié ;
- le filtre du tuyau d'alimentation n'est pas obstrué.

La vaisselle n'est pas propre

Contrôlez que :

- le robinet d'arrivée d'eau est ouvert et que le tuyau d'alimentation est raccordé correctement ;
- l'alimentation en eau de votre habitation n'a pas été coupée et que la pression est suffisante ;
- le tuyau d'alimentation n'est ni écrasé ni plié ;
- le filtre du tuyau d'alimentation n'est pas obstrué.

La vidange de l'eau ne s'effectue pas

Contrôlez que :

- le tuyau de vidange n'est ni écrasé ni plié.

Messages d'erreur

Le lave-vaisselle est équipé d'un système de sécurité qui est capable de détecter des problèmes d'exploitation et des défaillances. Les défaillances sont signalées par le clignotant rapide d'un LED "F". Dans le cas où la diode du cycle "trempage" clignote, vous devez rapidement annuler le cycle comme décrit dans Vérifiez alors que l'alimentation de l'eau se fait correctement. le paragraphe "Annulation ou modification d'un cycle en cours". Si le message continue, appelez un technicien et indiquez quel message est apparu.

Si n'importe quelle des autres diodes commencent à clignoter rapidement, éteignez l'appareil et contactez un technicien.

Il y a des dépôts de calcaire ou un film blanchâtre sur la vaisselle

Contrôlez que :


- le bouchon du distributeur de sel est fermé correctement ;
- la quantité de liquide de rinçage est suffisante.

Si, après tous ces contrôles, le lave-vaisselle ne fonctionne toujours pas et/ou que le problème persiste, adressez-vous à votre Service Après-vente le plus proche en indiquant :

- le type de panne ;
- le type d'appareil et le numéro du modèle (Mod...) ainsi que le numéro de série (S/N...), qui figurent sur la plaque signalétique située sur la paroi intérieure de la porte.

Ne faites jamais appel à des techniciens non agréés et exigez toujours qu'il soit fait usage de pièces d'origine.



Le symbole  sur le produit ou son emballage indique que ce produit ne peut être traité comme déchet ménager. Il doit plutôt être remis au point de ramassage concerné, se chargeant du recyclage du matériel électrique et électronique. En vous assurant que ce produit est éliminé correctement, vous favorisez la prévention des conséquences négatives pour l'environnement et la santé humaine qui, sinon, seraient le résultat d'un traitement inapproprié des déchets de ce produit.

Pour obtenir plus de détails sur le recyclage de ce produit, veuillez prendre contact avec le bureau municipal de votre région, votre service d'élimination des déchets ménagers ou le magasin où vous avez acheté le produit.

Comment installer l'appareil

Installez l'appareil à l'endroit souhaité. Le dos de l'appareil doit reposer contre le mur et les parois latérales doivent être parallèles aux parois du meuble adjacent ou du mur. Le lave-vaisselle est équipé de tuyaux d'alimentation et de vidange de l'eau. Ces tuyaux peuvent être installés à droite ou à gauche, pour faciliter l'installation correcte de l'appareil.

Comment mettre l'appareil de niveau

Dès que l'appareil est mis en place, réglez les pieds du lave-vaisselle (en les vissant ou en les dévissant) jusqu'à ce que l'appareil soit de niveau. Dans tous les cas, l'appareil doit présenter une inclinaison non supérieure à 2°. Une mise à niveau correcte de l'appareil est un gage de garantie pour des résultats satisfaisants.

Raccordement à l'arrivée d'eau froide

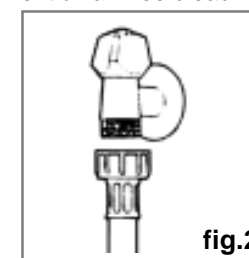
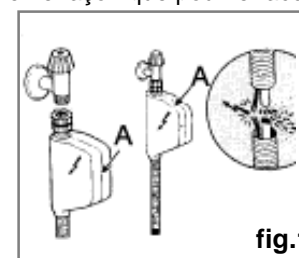
Raccordez le tuyau d'arrivée d'eau froide à un connecteur 3/4 (gaz) fileté et assurez-vous qu'il est solidement fixé (voir Fig.2). Si les conduits d'eau sont neufs ou ont été utilisés pendant une longue période, faites couler l'eau pour vous assurer qu'elle est propre et dépourvue d'impuretés. En ne prenant pas cette précaution, vous courez le risque de boucher le conduit d'arrivée d'eau et d'endommager l'appareil.

Raccordement à l'arrivée d'eau chaude

Le robinet d'arrivée d'eau de l'appareil peut également être raccordé au dispositif de distribution d'eau chaude de votre habitation (système de chauffage central), à condition que la température ne dépasse pas 60°C.

Dans ce cas, la durée du cycle de lavage sera réduite de 15 minutes environ et l'efficacité du lavage sera légèrement inférieure.

Le raccordement à l'arrivée d'eau chaude doit s'effectuer de la même façon que pour le raccordement à l'arrivée d'eau froide.



Avertissement:

L'appareil doit être connecté au tuyau d'eau principal en utilisant les nouveaux tuyaux flexibles et les anciens tuyaux flexibles ne doivent pas être utilisés de nouveau.

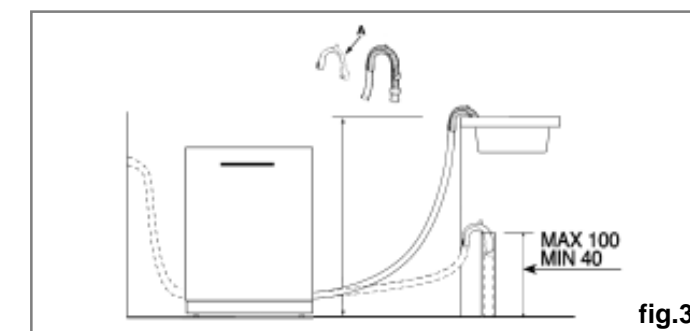
Protection contre les risques d'inondation

Votre lave-vaisselle est équipé d'un dispositif qui coupe l'arrivée d'eau lorsqu'un problème survient au niveau du tuyau d'alimentation ou en cas de fuite à l'intérieur de l'appareil, afin d'éviter que ces incidents ne provoquent des dégâts à votre habitation. Si, pour une raison quelconque, le boîtier renfermant les composants électriques est endommagé, débranchez

immédiatement l'appareil. Afin de garantir le fonctionnement correct du dispositif de protection contre les inondations, il est nécessaire que le boîtier "A" traversé par le tuyau d'alimentation soit fixé au robinet d'arrivée d'eau comme illustré dans la Fig.1. Seul ce type de raccordement est valable. Ne sectionnez en aucun cas le tuyau d'alimentation car il contient des composants électriques sous tension. Si la longueur du tuyau est insuffisante pour garantir un raccordement correct, remplacez-le par un tuyau de longueur appropriée. Vous pouvez vous procurer ce tuyau auprès de revendeurs spécialisés ou d'un Service Après-vente agréé.

Raccordement du tuyau de vidange

Introduisez le tuyau de vidange dans un conduit de drainage d'un diamètre de 4cm minimum, ou déposez-le directement dans l'évier en veillant à ce qu'il ne soit ni plié ni écrasé. Utilisez le support en plastique prévu à cet effet, fourni avec l'appareil (voir Fig. 3). L'extrémité libre du tuyau doit se trouver à une hauteur comprise entre 40 et 100 cm et ne doit pas être immergé dans l'eau.



Attention:

Le support en plastique doit être solidement fixé au mur pour éviter que le tuyau ne se déplace et que de l'eau ne se répande au sol.

Branchement électrique

Après vous être assuré que la tension d'alimentation et la fréquence de votre habitation correspondent à celles figurant sur la plaque signalétique (située sur la paroi intérieure en acier inoxydable de la porte de votre appareil), et que l'installation électrique est prévue pour supporter la tension maximale indiquée sur la plaque signalétique, introduisez la fiche dans une prise du secteur correctement reliée à la masse (la mise à la terre de l'appareil est obligatoire aux termes de la loi).

Si la prise du secteur et la fiche de l'appareil ne sont pas de même type, remplacez la fiche. N'utilisez en aucun cas de rallonges ou autres qui risqueraient de provoquer une surchauffe et des brûlures.

Caution:

La prise de lave-vaisselle doit être accessible même quand l'appareil est installé comme une unité incorporée pour que la maintenance puisse être faite sécuritairement.

La sicurezza, una buona abitudine

AVVERTENZE

Leggete attentamente le avvertenze contenute nel presente manuale di istruzioni, in quanto forniscono importanti indicazioni riguardanti la sicurezza di installazione, d'uso e di corretta manutenzione dell'apparecchiatura.

CE Questo elettrodomestico è conforme alle seguenti direttive CEE:

Directive:

- 73/23/EEC del 19 febbraio 1973 (bassa tensione) e successivi Emendamenti;
- 89/336/EEC del 3 maggio 1989 (compatibilità elettromagnetica) e successivi emendamenti.
- Smaltire con attenzione il materiale d'imballaggio.
- Dopo avere eliminato l'imballo, verificare che l'elettrodomestico non sia danneggiato. In nessun caso allacciare un apparecchio danneggiato. In caso di danni rivolgersi al proprio fornitore.
- La lavastoviglie deve essere utilizzata esclusivamente da persone adulte per il lavaggio di stoviglie e utensili da cucina.
- Questo apparecchio non deve essere utilizzato da bambini o da persone inferme senza la supervisione di un adulto.
- Non lasciare giocare i bambini con questo apparecchio.
- Tenere i detersivi fuori dalla portata dei bambini ed evitare che si avvicinino alla lavastoviglie quando lo sportello è aperto.
- Questo apparecchio non può essere installato all'aperto, nemmeno in aree coperte da un tetto; inoltre è molto pericoloso lasciarlo esposto agli agenti atmosferici

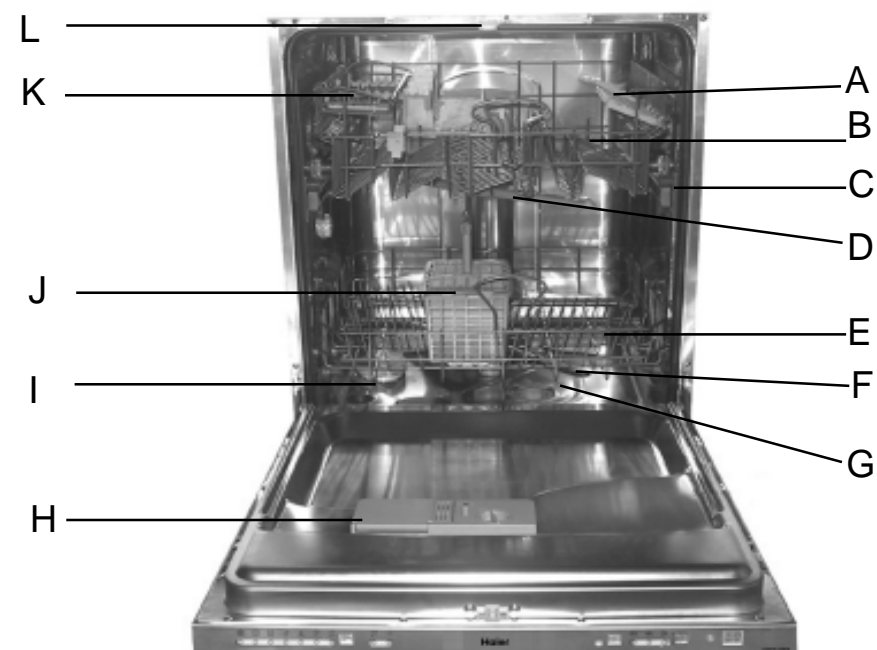
- Non appoggiarsi o sedersi sullo sportello aperto, perché ciò potrebbe causare il ribaltamento della lavastoviglie.
- In caso di malfunzionamento, chiudere il rubinetto di alimentazione dell'acqua e scollegare la spina dalla presa di corrente. Poi, provate a consultare il capitolo "Soluzione dei problemi". Se non è possibile risolvere il problema, contattare un centro di assistenza.
- Solo il personale specializzato è autorizzato a fare riparazioni.
- Gli elettrodomestici che non possono più essere utilizzati, devono essere resi inutilizzabili tagliando il cavo di alimentazione e danneggiando il blocco della porta.
- Se il cavo di alimentazione è danneggiato, deve essere sostituito da un apposito cavo, reperibile presso un Centro di Assistenza.
- L'apparecchio deve essere posizionato in modo tale che la spina sia facilmente accessibile.
- Regole fondamentali da seguire quando si utilizza l'elettrodomestico:
 - * Non toccare mai la lavastoviglie a piedi scalzi o con mani o piedi bagnati.
 - * Evitare l'impiego di prolunghe o di prese multiple.
 - * Durante l'installazione, il cavo di alimentazione non deve subire piegature o compressioni rilevanti e pericolose.
 - * In caso di funzionamento anomalo o di lavori di manutenzione disinserire la presa dell'apparecchio dalla rete elettrica.

Il pannello di comando



- | | |
|--|--|
| A Tasto ON-OFF | F Lampade spia programmi |
| B Spia ON-OFF | G Pulsante selezione programmi |
| C Tasto "MEZZO CARICO" | H Lampada spia mezzo carico |
| D Spia di mancanza brillantante | I Spia rinvio |
| E Spia mancanza sale | J Pulsante selezione ritardo avviamento |

Vista da vicino (Interno)



- | | |
|---------------------------------------|---|
| A Rastrelliera per tazze | G Filtro lavaggio |
| B Cestello superiore | H Contenitore detersivo e brillantante |
| C Regolazione altezza cestello | I Tappo contenitore sale |
| D Irroratore superiore | J Cesto per argenteria |
| E Cestello inferiore | K Scaffali per coltelli |
| F Irroratore inferiore | L Terzo aspersore |

Caratteristiche tecniche

Larghezza	60 cm
Profondità	58 cm
Altezza	82 cm
Capacità	12 coperti standard
Pressione dell'acqua da	0.03-0.6MPa
Tensione di potenza	220-240V~ 50Hz
Potenza assorbita totale	1950W

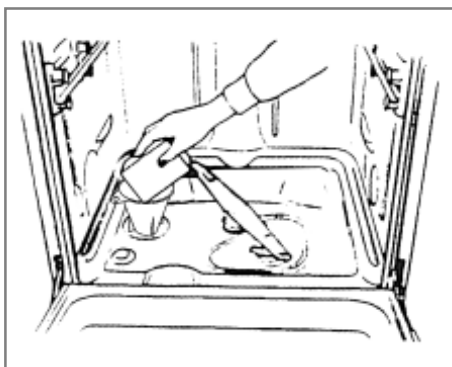
Il Sale

La durezza dell'acqua varia da luogo a luogo. Se la lavastoviglie funziona con acqua dura, su piatti e utensili si formano dei depositi. Questo elettrodomestico è dotato di un addolcitore speciale che utilizza un sale appositamente studiato per eliminare calcare e sali minerali dall'acqua.

Caricamento del sale nell' addolcitore dell'acqua

Utilizzare esclusivamente sale per lavastoviglie. Il contenitore del sale si trova sotto al cestello inferiore e deve essere riempito nel modo seguente:

- Estrarre il cestello inferiore e svitare e togliere il coperchio del contenitore del sale;
- Prima di inserire il sale per la prima volta, riempire il contenitore con acqua;
- Posizionare l'estremità dell'imbuto (in dotazione) nel foro e inserire circa 2 kg di sale. È normale che fuoriesca una piccola quantità di acqua dal contenitore.
- Riavvitare con attenzione il tappo.



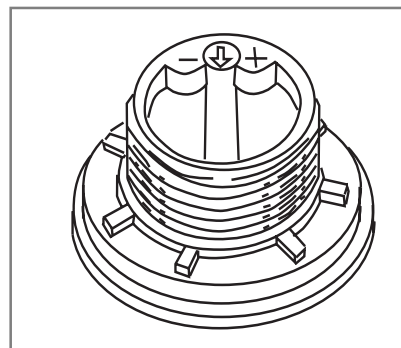
Riempire il contenitore del sale unicamente quando la spia "mancanza sale" (vedi pannello di comando) è accesa.

- Per impedire la formazione di ruggine, inserire il sale subito prima dell'inizio di un ciclo di lavaggio.

Regolazione consumo sale

La lavastoviglie è predisposta per la regolazione del quantitativo di sale consumato in base alla durezza dell'acqua disponibile. Ciò permette di migliorare e personalizzare il livello di consumo del sale, riducendolo al minimo. Per informazioni sulla durezza dell'acqua, consultare l'ente di erogazione locale.

Per regolare il consumo di sale, procedere nel modo seguente:



- Svitare il tappo del contenitore del sale;
- Sul collo del contenitore è presente un anello con una freccia (vedi figura precedente).
- Se necessario, ruotare l'anello in senso antiorario, dal simbolo "-" verso il simbolo "+", in base alla durezza dell'acqua.

Si suggerisce di regolare la freccia in base ai parametri della seguente tabella:

Durezza dell'acqua				Posizione selettore	Consumo di sale (grammi/ciclo)	Autonomia (cicli/2kg.)
Livello	°fH	°dH	mmol/l			
1	0 ÷ 14	0 ÷ 17	0 ÷ 1,7	/	0	/
2	14 ÷ 36	18 ÷ 44	1,8 ÷ 4,4	"-"	20	60
3	36 ÷ 71	45 ÷ 89	4,5 ÷ 8,9	MED	40	40
4	>71	>89	>8,9	"+"	60	25

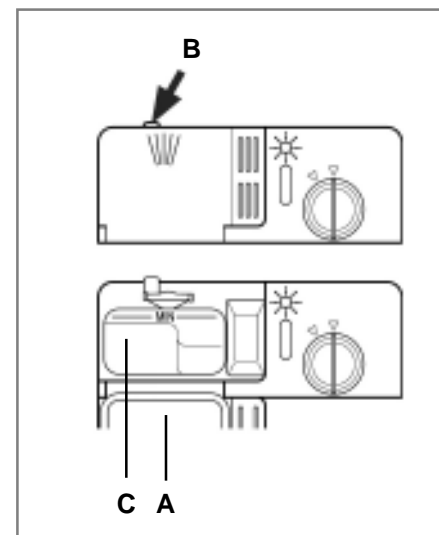
Il Detersivo

Utilizzare esclusivamente detersivi per lavastoviglie. Il contenitore deve essere riempito prima dell'inizio di ciascun ciclo di lavaggio, seguendo le istruzioni contenute nella "Tabella dei cicli di lavaggio". Il contenitore del detersivo si trova sul pannello interno della porta della lavastoviglie.

Caricamento del detersivo

Per aprire il coperchio "A" del contenitore, premere il pulsante "B". Il detersivo per il ciclo di lavaggio deve essere inserito nello scomparto "C".

Dopo avere inserito il detersivo, chiudere il coperchio premendolo fino a sentire un clic



Nota:

per semplificare la chiusura del coperchio, eliminare eventuali residui di detersivo in eccesso dal contenitore.

Il Brillantante

Questo prodotto rende le stoviglie più brillanti e ne facilita la loro asciugatura senza lasciare macchie ed aloni.

Il contenitore è posizionato sul pannello interno della porta della lavastoviglie e deve essere riempito dopo circa 80 cicli di lavaggio oppure quando si illumina la relativa spia sul pannello.

Caricamento del brillantante

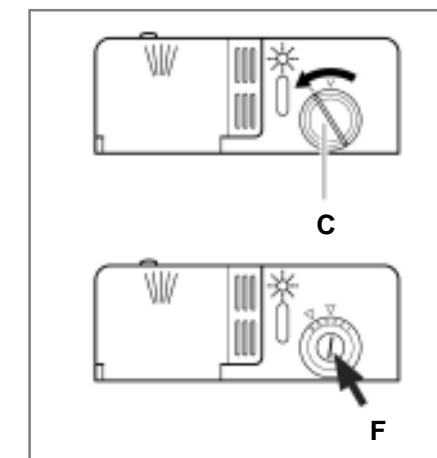
Per aprire il contenitore del brillantante, ruotare il tappo "C" in senso antiorario quindi aggiungere il brillantante, prestando attenzione a non farlo fuoriuscire. Il quantitativo di brillantante utilizzato per ciascun ciclo di lavaggio può essere regolato ruotando l'apposito dosatore "F", posizionato sotto al coperchio "C", con un cacciavite. Vi sono 6 diverse impostazioni; quella che prevede un dosaggio normale è la numero 3.

Importante

Il corretto dosaggio del brillantante migliora l'asciugatura delle stoviglie.

Se sulle stoviglie rimangono gocce di acqua o macchie, occorre regolare il dosatore su un'impostazione superiore.

Se invece le stoviglie presentano striature bianche, regolare il dosatore su un'impostazione inferiore.



Come caricare le stoviglie

Prima di inserire i piatti nella lavastoviglie, eliminare i residui alimentari più grossi per evitare di intasare il filtro e ridurre le prestazioni dell'elettrodomestico.

Se i residui alimentari presenti su pentole e padelle sono particolarmente difficili da eliminare, consigliamo di lasciarli in ammollo prima di procedere al lavaggio. Ciò evita di dovere effettuare ulteriori cicli di lavaggio. Estrarre il cestello per semplificare il caricamento della lavastoviglie.

Come riempire il cestello inferiore

Si consiglia di disporre sul cestello inferiore le stoviglie maggiormente sporche: pentole, padelle, coperchi, piatti e contenitori di portata, come illustrato nella figura a destra.

Si consiglia di posizionare i piatti di portata e i coperchi sui fianchi dei cestelli per evitare di bloccare la rotazione del braccio aspersore superiore.

- Pentole e ciotole devono essere poste sempre rivolte verso il basso.
- Le pentole più grosse devono essere inclinate per facilitare lo scolo dell'acqua.
- Il cestello inferiore è equipaggiato con griglia piegabile verso il basso (vedi fig.A) in modo che batteria da cucina più grande o più numerosa possa essere caricata.
- Il cestello delle posate può essere scomposto (vedi Fig.B) in modo da utilizzarne solo una sezione quando il carico di posate è limitato. In questo modo ci sarà più spazio per altre pentole e tegami sul cestello inferiore.
- Sistemare le posate nell'apposito cestello con il manico rivolto verso il basso; se nel cestello vi sono contenitori laterali per le posate, i cucchiaini devono essere posizionati individualmente negli appositi contenitori. Gli utensili particolarmente lunghi devono essere posti in posizione orizzontale nella parte anteriore del cestello superiore.

Come riempire il cestello superiore

Il cestello superiore è predisposto per stoviglie più delicate e leggere, come bicchieri, tazze da caffè e tè, piattini, piatti e coppette, oltre che piccole padelle (purché non eccessivamente sporche). Posizionare i piatti e le pentole in modo che non vengano mossi dallo spruzzo dell'acqua.

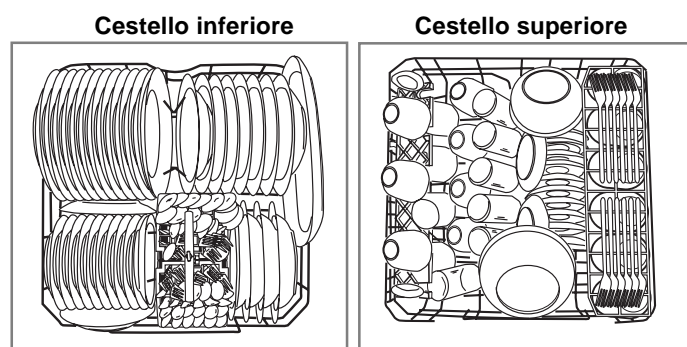
L'altezza del cestello superiore può essere regolata (vedi Fig.C) Aggiustare il cestello superiore al livello più alto e ci sarà più spazio per altre pentole e piatti sul cestello inferiore.

Supporto

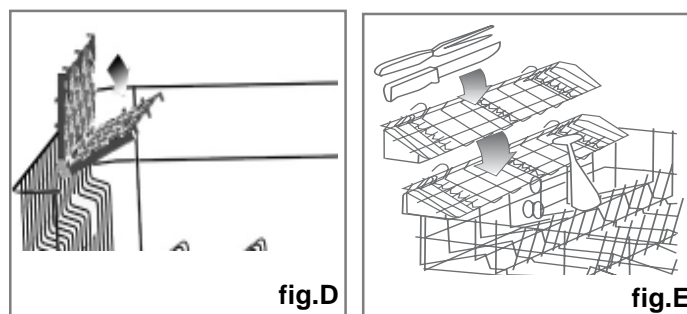
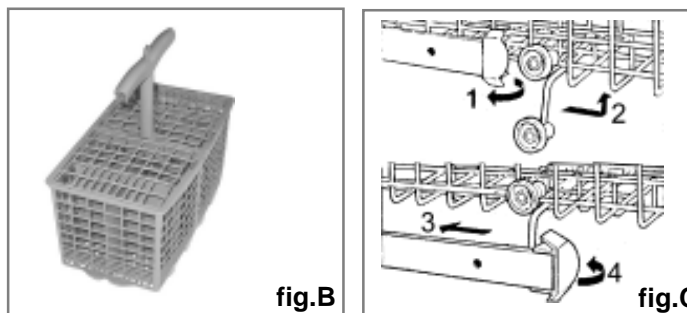
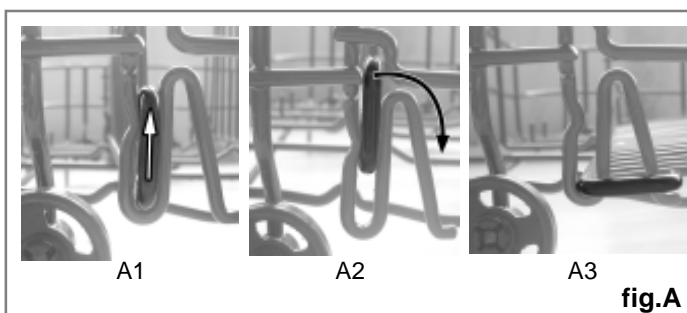
Appoggiare i bicchieri alti e stoviglie con manico lungo sullo scaffale, anziché sulle altre stoviglie da lavare (vedi Fig.D).

Scaffali per coltelli

Questo scaffale è situato a fianco dello scaffale superiore. Si possono così separare i coltelli grandi e taglienti per lavarli, evitando eventuali danni (vedi Fig.E).



Capacità 12 coperti standard



Avviamento della lavastoviglie

Avviare un Ciclo di Lavaggio

Dopo avere completato tutti i passi di installazione nel paragrafo precedente, aprire il rubinetto di alimentazione dell'acqua, aprire parzialmente la porta della lavastoviglie, e premere il tasto ON-OFF "A" che si trova sul pannello di controllo. La spia "B" si illuminerà. A questo punto, l'apparecchio è attivo e pronto ad essere programmato.

Impostare ed Avviare un Ciclo di Lavaggio

Selezionare il ciclo desiderato premendo il tasto di selezione del ciclo "G". Ogni volta che viene premuto, una delle spie del ciclo "F" comincia a lampeggiare. Selezionare il programma di lavaggio considerato più appropriato per il tipo di piatti da lavare (consultare la tabella dei cicli di lavaggio contenuta nel presente manuale, soprattutto quando l'apparecchio viene usato per la prima volta).

Chiudere la porta, dopo alcuni secondi un breve segnale acustico indicherà che il programma di lavaggio è già avviato e non è più modificabile. Se necessario, vedi il paragrafo intitolato "Cancellare o modificare un ciclo durante il lavaggio".

Cancellare o modificare un ciclo durante il lavaggio...

Premessa: Un ciclo in funzione può essere modificato solo immediatamente dopo l'avvio altrimenti il detersivo può risultare già utilizzato come l'acqua stessa del lavaggio. Nel caso si verificasse questa situazione sarà necessario riempire nuovamente il contenitore del detersivo (vedi il paragrafo intitolato "caricamento del detersivo")

Per modificare un ciclo in funzione, aprire la porta, premere il tasto di ON-OFF "A". Quando il ciclo viene cancellato, verrà emesso un breve segnale acustico dalla lavastoviglie e la spia relativa sarà spenta. Per configurare un nuovo ciclo di lavaggio seguire le istruzioni contenute nel paragrafo intitolato "Impostare ed Avviare un Ciclo di Lavaggio".

Se alcuni piatti sono stati dimenticati...

Il ciclo di lavaggio può essere interrotto aprendo attentamente la porta (allo scopo di evitare lo spruzzo d'acqua calda). Quando la porta è di nuovo chiusa, il ciclo comincerà automaticamente dal punto dove si è interrotto (dopo 30 secondi).

Alla fine del ciclo di lavaggio...

La fine del ciclo verrà indicata da 6 segnali acustici e nello stesso tempo la spia "F" si spegnerà. Aprire la porta, spegnere l'apparecchio tramite l'interruttore ON-OFF "A" e chiudere il rubinetto di alimentazione dell'acqua all'apparecchio. Aspettare alcuni minuti prima di rimuovere i piatti per evitare di maneggiarli ancora caldi (in quanto sono più suscettibili di rotture) e per avere un effetto migliore di asciugatura.

Impostazione della partenza ritardata

Aprire la porta della lavastoviglie. Premendo il tasto "J" (vedi sezione "Pannello di Comando") il l'avvio di un programma di lavaggio può essere ritardato di 2,4,6 ore. Ogni volta che il tasto viene premuto, la spia "I" lampeggia indicando la durata del ritardo. Dopo aver impostato la durata del ritardo, selezionare il ciclo di lavaggio come illustrato in "Avviare un ciclo di lavaggio..." Chiudere la porta. Da questo momento inizia il conteggio del tempo di ritardo.

Durante questo periodo la spia di rinvio (I) rimane accesa. Allo scadere del periodo selezionato si spegne la spia ed inizia il ciclo di lavaggio.

Nota bene:

- Durante il periodo di attesa alla partenza ritardata, nessuna configurazione può essere modificata. Se necessario, si può cancellare la programmazione premendo il tasto ON-OFF "A" sul pannello di comando.
- L'interruzione di tensione o l'apertura della porta interrompe l'avanzamento del "tempo di ritardo" che ricomincerà al ripristino della tensione o alla chiusura della porta.








Tasto di "mezzo carico"

Questa opzione si rende utile in modo particolare quando ci sono poche stoviglie da lavare. Le stoviglie andranno posizionate esclusivamente sul cestello superiore. Questa funzione permette di risparmiare acqua ed elettricità.

Per attivare la funzione, premere il tasto "C" posto sul Pannello di Comando. Si accenderà la spia "H".

Questa funzione non è consigliata per cicli intensivi o stoviglie molto sporche.

Tabella dei cicli di lavaggio

Ciclo	Tipo di Carico	Descrizione del ciclo	Detersivo	Brillantante
 Lavaggio Intensivo	Piatti, pentole e padelle molto sporchi. (Non indicato per stoviglie delicate)	Pre-lavaggio con acqua calda. Lavaggio prolungato a 70°C. Risciacquo con acqua fredda. Risciacquo con acqua calda. Asciugatura.	30g	★
 Lavaggio Normale	Piatti, pentole e padelle normalmente sporchi.	Viene usata acqua fredda per il secondo prelavaggio. Lavaggio prolungato a 55°C. Risciacquo con acqua fredda. Risciacquo con acqua calda. Asciugatura.	30g	★
 Lavaggio leggero (IEC-EN50242)	Piatti normalmente sporchi. Lavaggio standard quotidiano	Pre-lavaggio con acqua fredda. Lavaggio prolungato a 50°C. Risciacquo con acqua fredda. Risciacquo con acqua calda. Asciugatura.	5g+25g	★ (5)
 Stoviglie delicate	Ciclo veloce ed economico, da utilizzare con stoviglie sensibili alle alte temperature, subito dopo l'utilizzo.	Lavaggio a 60°C. Risciacquo con acqua fredda. Risciacquo con acqua calda. Asciugatura.	15g	★
 Lavaggio Veloce	Ciclo veloce ed economico, da utilizzare con stoviglie non particolarmente sporche, subito dopo l'utilizzo. Nessun ciclo di asciugatura.	Lavaggio breve a 40°C. Risciacquo freddo.	15g	
 Ammollo	Prelavaggio di piatti, pentole e padelle in attesa di completare il carico della lavastoviglie.	Breve lavaggio freddo per evitare che i residui di cibo possano incrostarsi sulle stoviglie.		
 Scaldapiatti	Indicato per riscaldare o solo risciacquare qualsiasi tipo di stoviglie.	Risciacquo caldo a 65°C. Asciugatura.		★

Consigli per il risparmio energetico

- Per ottimizzare i consumi è importante utilizzare la lavastoviglie sempre a pieno carico.
- Per impedire la formazione di cattivi odori o che i residui di cibo si attacchino alle stoviglie, eseguire un lavaggio a freddo.
- Scegliere il ciclo di lavaggio corretto, in base al tipo di piatti, stoviglie e utensili da lavare e al grado di sporcizia.

- Prestare attenzione al quantitativo di detersivo utilizzato: quantità eccessive non incidono sulla pulizia delle stoviglie ma, al contrario, determinano un maggiore impatto ambientale.
- Non è necessario risciacquare piatti, stoviglie e utensili prima di inserirli nella lavastoviglie.

Suggerimenti per una lunga durata della lavastoviglie

Dopo ogni lavaggio

Dopo ciascun lavaggio, chiudere il rubinetto di alimentazione dell'acqua e lasciare lo sportello leggermente aperto in modo che umidità e odori non ristagnino all'interno della lavastoviglie.

Staccare la spina

Prima di pulire o di eseguire operazioni di manutenzione sulla lavastoviglie, staccare sempre la spina dalla presa di alimentazione.

NON CORRERE RISCHI !!!

Non utilizzare solventi o prodotti di pulizia abrasivi

Per pulire le parti esterne e le guarnizioni in gomma della lavastoviglie, non utilizzare solventi o prodotti per la pulizia abrasivi. Utilizzare una spugna con acqua tiepida e sapone. Per eliminare macchie o residui dalla superficie interna, utilizzare una spugna inumidita con acqua e aceto di vino, oppure un prodotto specifico per la pulizia interna della lavastoviglie.

In caso di spostamento o trasloco

Se occorre spostare la lavastoviglie, cercare di mantenerla in posizione verticale. Se assolutamente necessario, può essere inclinata sul lato posteriore.

Le guarnizioni

Una delle cause del cattivo odore che a volte si forma all'interno della lavastoviglie sono i residui di cibo nelle guarnizioni. Per evitare ciò, si consiglia di pulirle periodicamente con una spugna.

Prima di partire per le ferie

Prima di partire per un periodo di tempo prolungato, si consiglia di eseguire un ciclo di lavaggio con la lavastoviglie vuota e poi di staccare la spina dalla presa, di chiudere il rubinetto di alimentazione dell'acqua e di lasciare lo sportello leggermente aperto. Ciò contribuisce ad una maggiore durata delle guarnizioni e impedisce la formazione di cattivi odori all'interno della lavastoviglie stessa.

Pulizia e manutenzione speciale

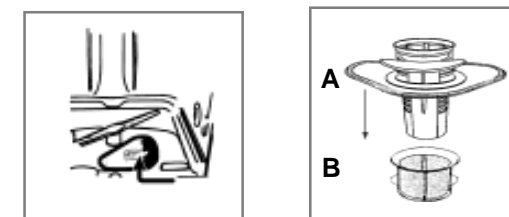
gruppo del filtro

Per migliorare prestazioni e risultati, si consiglia di pulire il gruppo del filtro, che consente di trattenere le particelle di cibo rimaste nell'acqua di lavaggio e, di conseguenza, di riutilizzarla durante il ciclo. Per questo motivo si consiglia di eliminare i residui di cibo più grossi rimasti nel filtro dopo ogni ciclo di lavaggio, risciacquando il filtro e la tazza semicircolare (A) sotto l'acqua corrente. Per estrarre il gruppo del filtro, tirare l'apposita maniglia verso l'alto. L'intero gruppo del filtro (costituito dal filtro semicircolare (A) e dal filtro fine (B)) deve essere pulito almeno una volta al mese. Pulire il filtro e il filtro fine servendosi di una spazzola. Poi rimontare le parti del filtro come illustrato nelle figure seguenti e reinserire l'intero gruppo nella lavastoviglie, posizionandolo nell'apposito alloggiamento premendo verso il basso.

La lavastoviglie non deve mai essere utilizzata senza i filtri. L'inserimento incorretto dei filtri può ridurre le prestazioni della lavastoviglie e danneggiare piatti e utensili.

Pulizia dei bracci aspersori

A volte capita che residui alimentari rimangano incrostati sui bracci aspersori e blocchino i fori (vedi "Vista da vicino - interno, lettere D-F). Controllare periodicamente i bracci aspersori e pulirli, se necessario.



Pulizia del filtro di ingresso dell'acqua

Pulire periodicamente il filtro installato sul rubinetto di carico acqua.

Chiudere il rubinetto e scollegare il tubo di carico, rimuovere il filtro e pulirlo attentamente con acqua corrente.

Ad operazione effettuata riporlo accuratamente e serrare il tubo di carico.

Risoluzione dei problemi

Può accadere che la lavastoviglie non funzioni o i risultati siano insoddisfacenti. Prima di contattare l'assistenza, effettuare alcune semplici verifiche.

La lavastoviglie non parte

Controllare che:

- la spina sia inserita correttamente nella presa;
- vi sia corrente nella casa;
- lo sportello sia chiuso correttamente;
- il tasto ON-OFF sia su "ON";
- il rubinetto dell'acqua sia aperto.

La lavastoviglie non carica l'acqua

Controllare che:

- il rubinetto dell'acqua sia aperto e il tubo attaccato correttamente;
- l'acqua arrivi alla casa e abbia pressione sufficiente;
- il tubo di alimentazione dell'acqua non sia schiacciato o piegato;
- il filtro del tubo di alimentazione non sia intasato.

Le stoviglie non sono pulite

Controllare che:

- sia stato correttamente caricato il detersivo;
- controllare il dosaggio ed il tipo di detersivo;
- il tubo di alimentazione dell'acqua non sia schiacciato o piegato;
- il filtro del tubo di alimentazione non sia intasato.

La lavastoviglie non scarica l'acqua

Controllare che:

- il tubo di scarico non sia schiacciato o piegato.

Sulla superficie delle stoviglie si formano residui calcarei o una pellicola bianca

Controllare che:

- il coperchio del contenitore del sale sia chiuso correttamente;
- il dosaggio del brillantante sia corretto.

Messaggi di errore


La lavastoviglie è equipaggiata con un sistema di autodiagnosi che segnala eventuali malfunzionamenti. Questi malfunzionamenti sono segnalati da un segnale acustico e dal lampeggiamento di varie delle spie LED di programmazione "F". Nel caso in cui la spia del ciclo di ammollo (vedi "Pannello di comando") lampeggi rapidamente, bisogna cancellare il ciclo come descritto nella sezione intitolata "Modificare un Ciclo durante il lavaggio". Verificare che ci sia acqua nella rete ed il rubinetto sia aperto. Se il messaggio continua, chiamare il centro assistenza tecnica autorizzato, indicando il tipo di messaggio di errore.

Se qualsiasi altra spia lampeggia rapidamente, spegnere l'apparecchio e chiamare il centro assistenza tecnica autorizzato, indicando il tipo di messaggio di errore. Qualora, nonostante questi controlli, la lavastoviglie non funzioni e/o il problema persiste, contattare il centro di assistenza autorizzato più vicino e fornire le seguenti informazioni:

- il tipo di problema;
- il numero del modello (Mod...) e il numero di serie (S/N...), indicati nella targhetta sul fianco della parte interna dello sportello.

Non ricorrere mai a tecnici non autorizzati e non permettere l'installazione di ricambi non originali.



Il simbolo  sul prodotto o sulla confezione indica che il prodotto non deve essere considerato come un normale rifiuto domestico, ma deve essere portato nel punto di raccolta appropriato per il riciclaggio di apparecchiature elettriche ed elettroniche. Provvedendo a smaltire questo prodotto in modo appropriato, si contribuisce a evitare potenziali conseguenze negative per l'ambiente e per la salute, che potrebbero derivare da uno smaltimento inadeguato del prodotto.

Per informazioni più dettagliate sul riciclaggio di questo prodotto, contattare l'ufficio comunale, il servizio locale di smaltimento rifiuti o il negozio in cui è stato acquistato il prodotto.

Installazione

Posizionamento

Posizionare la lavastoviglie nella posizione desiderata. La parte posteriore dovrebbe essere appoggiata ad una parete e i fianchi ai mobili o alle pareti adiacenti. La lavastoviglie è munita di tubi per alimentazione e scarico che possono essere orientati a destra o a sinistra per agevolare una corretta installazione dell'elettrodomestico.

Livellamento

Dopo avere posizionato la lavastoviglie, regolare l'altezza dei piedini (avvitandoli o svitandoli) per livellarla. In ogni caso, la lavastoviglie non deve essere inclinata più di 2°.

Un buon livellamento assicurerà il corretto funzionamento della lavastoviglie.

Collegamento idraulico - acqua fredda

Attaccare il tubo flessibile per l'acqua fredda ad un connettore filettato 3/4 (gas) e verificare che sia collegato correttamente (vedi fig.2).

Per qualche modello c'è un tubo di carico "AquaStop" (vedi fig.1) in cui un piccolo filtro è già contenuto nella bocca filettata.

Se le tubazioni dell'acqua sono nuove o non sono state utilizzate per un lungo periodo di tempo, lasciare scorrere l'acqua per essere certi che sia pulita e priva di impurità. Questa precauzione consente di evitare il rischio di bloccare e danneggiare il tubo di alimentazione e la lavastoviglie stessa.

Collegamento idraulico - acqua calda

La lavastoviglie può essere collegata anche alla conduttura domestica dell'acqua calda (sistema centralizzato, impianto di riscaldamento), purché la temperatura non superi i 60°C. In questo caso, la durata del ciclo di lavaggio diminuisce di circa 15 minuti e l'efficienza del lavaggio risulta leggermente ridotta.

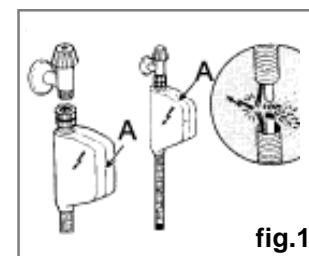


fig.1

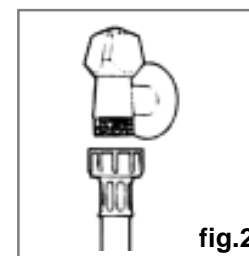


fig.2

Attenzione:

L'apparecchio deve essere connesso alla presa d'acqua con un tubo nuovo. Non utilizzare, per l'allacciamento, tubi già usati in precedenza.

Eseguire l'allacciamento all'acqua calda seguendo le stesse procedure descritte per il collegamento alle conduzioni dell'acqua fredda.

Protezione anti-allagamento

La lavastoviglie è dotata di un sistema che blocca l'alimentazione dell'acqua qualora venga riscontrato un problema al tubo di alimentazione, oppure qualora si verificano perdite all'interno dell'apparecchio, per prevenire ulteriori danni all'abitazione.

Qualora, per qualsiasi ragione, la scatola contenente i componenti elettrici risulti danneggiata, staccare immediatamente la spina della lavastoviglie dalla presa. Per un corretto funzionamento del dispositivo anti-allagamento, la scatola "A" con il tubo di alimentazione deve essere attaccata al rubinetto come illustrato nella fig.1. Non è accettabile nessun altro tipo di collegamento. Il tubo di alimentazione dell'acqua non deve essere tagliato per nessun motivo, dal momento che contiene componenti elettrici sotto tensione. Qualora la lunghezza del tubo non sia adatta all'allacciamento desiderato, il tubo deve essere sostituito con un altro di lunghezza adeguata. Tale tubo può essere richiesto presso i rivenditori e i centri di assistenza specializzati.

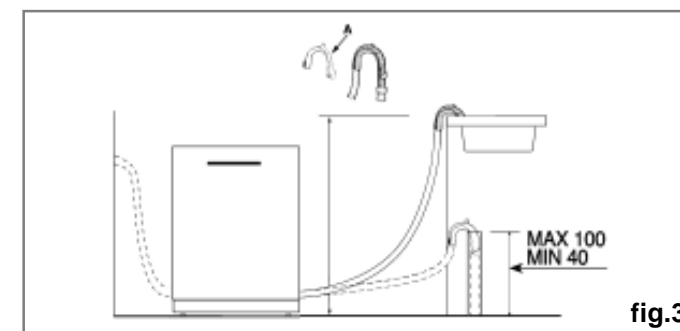


fig.3

Allacciamento del tubo di scarico

Inserire il tubo di scarico in una tubazione di scarico con diametro minimo di 4cm, oppure appoggiarlo al lavandino, evitando di piegarlo o di schiacciarlo, utilizzando l'apposito supporto speciale in plastica in dotazione con la lavastoviglie (vedi fig.3).

L'estremità libera del tubo deve essere ad un'altezza compresa tra 40 e 100 cm e non deve essere immersa nell'acqua.

Attenzione:

L'apposito supporto in plastica deve essere fissato saldamente alla parete per evitare che il tubo di scarico si muova e l'acqua fuoriesca.

Collegamento elettrico

Dopo avere verificato che i valori di tensione e frequenza della corrente domestica corrispondano a quelli della targhetta nominale (posta sulla parte interna in acciaio inox dello sportello della lavastoviglie) e che l'impianto elettrico possa supportare la tensione massima riportata sulla targhetta, inserire la spina in una presa elettrica con corretta messa a terra (la messa a terra dell'apparecchio è un requisito di sicurezza imposto per legge). Se la presa elettrica a cui deve essere collegato l'apparecchio non è adatta alla spina, sostituire la spina invece di utilizzare adattatori o dispositivi analoghi, che potrebbero causare sovrariscaldamenti e bruciature.

Attenzione:

La spina di alimentazione della lavastoviglie dovrebbe essere sempre accessibile anche quando l'apparecchio è installato, in modo tale che, trattandosi di un apparecchio ad incasso la manutenzione possa essere effettuata in sicurezza.

La seguridad es una buena costumbre que se ha de desarrollar

NOTA

Lea atentamente las instrucciones incluidas en este manual. Proporcionan información importante necesaria para realizar una instalación, uso y mantenimiento seguros del aparato.

- CE** Este aparato cumple con las siguientes directivas:
- 73/23/CEE del 19 de febrero de 1973 (Baja tensión) y posteriores modificaciones;
 - 89/336/CEE del 3 de mayo de 1989 (Compatibilidad electromagnética) y posteriores modificaciones.
 - Elimine el material de embalaje con cuidado.
 - Una vez quitado el material de embalaje, compruebe que el aparato no está dañado. Si tiene dudas, póngase en contacto con personal cualificado.
 - El lavavajillas sólo debe ser utilizado por personas adultas para lavar vajillas y utensilios de cocina.
 - Los niños y personas enfermas no deben utilizar el aparato.
 - No permita que los niños jueguen con el aparato.
 - Guarde el detergente fuera del alcance de los niños y mantenga a los niños alejados del lavavajillas cuando esté abierto.
 - Este aparato no debe instalarse en el exterior, incluso si la zona donde se va a instalar está cubierta por un tejado; es muy peligroso exponerlo a la lluvia y a la intemperie.
 - No toque la resistencia durante o después del ciclo de lavado.
 - No se apoye ni siente sobre la puerta cuando esté abierta; puede volcarse el lavavajillas.

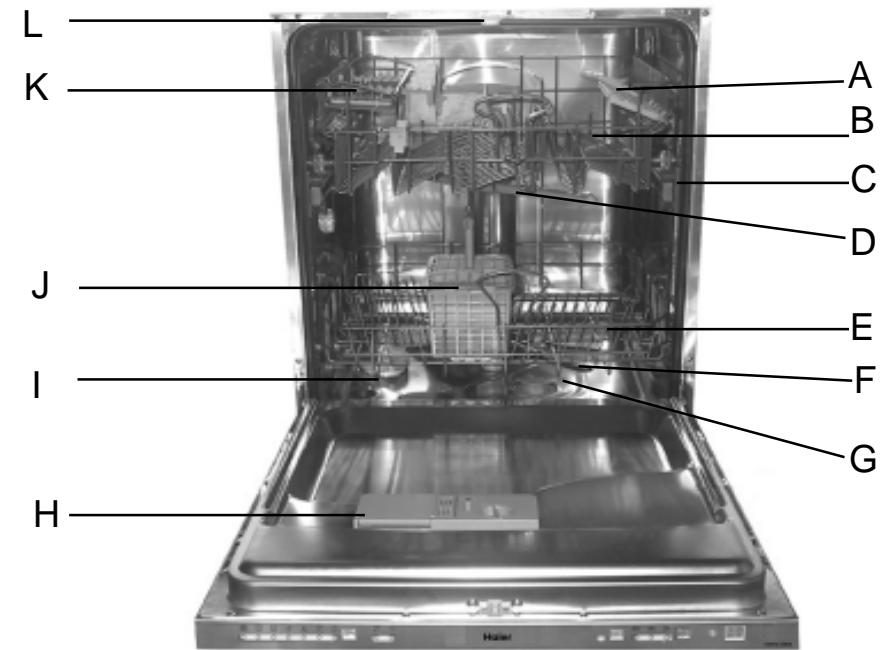
- En caso de avería, apague el lavavajillas y cierre el grifo de suministro de agua al lavavajillas. A continuación, consulte el apartado, "Solución de problemas". Si no puede solucionar el problema, póngase en contacto con el Servicio de asistencia técnica.
 - Las reparaciones sólo deben ser efectuadas por personal cualificado.
 - Corte el cable de suministro eléctrico y quite el cierre de la puerta de los aparatos que se vayan a desguazar.
 - Si el cable de alimentación está dañado, sustitúyalo por un cable o conjunto especial disponible a través del fabricante o del Servicio de asistencia técnica.
 - Después de la instalación, el enchufe de la toma de corriente debe estar accesible.
 - Normas básicas que deben cumplirse al utilizar el aparato:
 - * No toque el lavavajillas con los pies descalzos o con las manos o los pies mojados;
 - * No utilice alargadores ni tomas múltiples;
 - * No doble ni aplaste el cable de alimentación en exceso o de forma peligrosa durante la instalación;
 - * Si el aparato no funciona correctamente o si es preciso realizar alguna operación de mantenimiento, desconecte el aparato del suministro eléctrico.
- Para mantener el RENDIMIENTO y SEGURIDAD de este aparato, recomendamos:
- llamar al servicio técnico autorizado por el fabricante.
 - utilizar siempre las piezas originales.

Primer plano (panel de control)



- | | |
|---|--|
| A Pulsador ON-OFF | F Lámpara Testigo Programas |
| B Lámpara Testigo ON-OFF | G Botón De Selección De Programas |
| C Pulsador " 1/2 Carga " | H Lámpara Indicadora "1/2 Carga" |
| D Luz Indicadora De Falta De Brillatante | I Visor Del Tiempo De Inicio Diferido |
| E Luz Indicadora De Falta De Sal | J Pulsador Selección Delay |

Primer plano (Interior)



- | | |
|---|---|
| A Armazoncillos de vasos | G Filtro de lavado |
| B Cesto superior | H Distribuidor de detergente y abrillantador |
| C Adaptador de la altura del cesto | I Tapón del contenedor de sal |
| D Brazo aspersor superior | J Cestilla para vajillas de plata |
| E Cesto inferior | K Portaherramienta |
| F Brazo aspersor inferior | L Teroer rociador |

Características técnicas

Anchura	60 cm
Fondo	58 cm
Altura	82 cm
Capacidad	Estándar para 12 servicios
Presión del agua	0.03-0.6 MPa
Voltaje	220-240V~ 50Hz
Potencia total absorbida	1950W

La sal

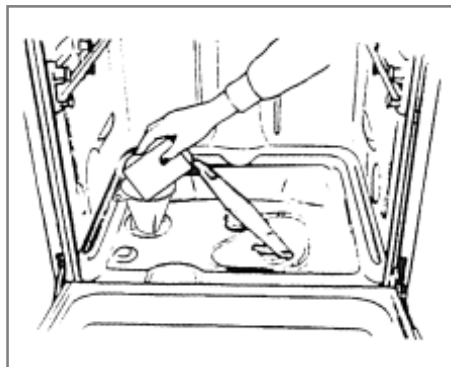
La dureza del agua varía según la localidad. Si en el lavavajilla entrara agua dura, se formarían incrustaciones sobre la vajilla. Gracias a un descalcificador que utiliza una sal específica para lavavajilla, se eliminan las sales de calcio del agua.

Carga de la sal en el descalcificador

Utilice siempre sal específica para lavavajilla..

El depósito de sal está debajo del canasto inferior y se llena de la siguiente manera:

- Extraiga el canasto inferior, desenrosque y quite la tapa del depósito.
- Si está cargando el depósito por primera vez, llénelo de agua.
- Coloque el embudo suministrado en el equipo base, en el orificio, e introduzca 2kg de sal aproximadamente. Es normal que se derrame un poco de agua del depósito.
- Enrosque nuevamente la tapa con cuidado.



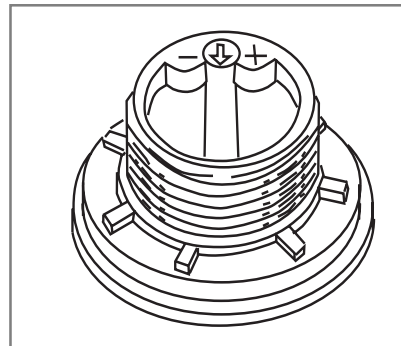
El depósito de sal se debe llenar cuando se ilumina la luz indicadora de "falta de sal" presente en el tablero.

Para evitar la formación de herrumbre, aconsejamos cargar la sal poco antes de comenzar un ciclo de lavado.

Regulación del consumo de sal

El lavavajilla ofrece la posibilidad de regular el consumo de sal en función de la dureza del agua que se utiliza, para poder, de este modo, optimizar y personalizar el consumo de sal llevándolo al nivel mínimo necesario.

Para la regulación seguir las siguientes instrucciones:



- Aflojar el tapón del depósito de sal.
- En el collar del depósito se ha colocado una flecha (ver fig. al lado).
- Si es necesario, girar la flecha desde el signo "-", en sentido antihorario, hacia el signo "+" según la dureza del agua de alimentación.

Es aconsejable efectuar la regulación según el siguiente esquema:

Dureza del agua						
Nivel	°fH	°dH	mmol/l	Posición selector	Consumo sal (gramos/ciclo)	Autonomía (ciclos/2kg)
1	0 ÷ 14	0 ÷ 17	0 ÷ 1,7	/	0	/
2	14 ÷ 36	18 ÷ 44	1,8 ÷ 4,4	"-"	20	60
3	36 ÷ 71	45 ÷ 89	4,5 ÷ 8,9	MED	40	40
4	>71	>89	>8,9	"+"	60	25

El detergente

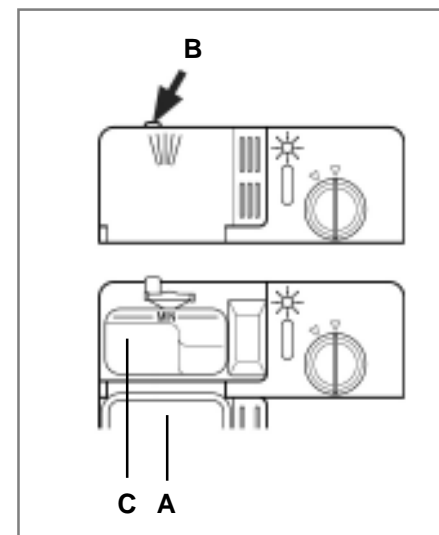
Usar solamente detergente específico para lavavajilla. El abastecimiento del detergente se debe realizar antes del comienzo de cada ciclo de lavado respetando las indicaciones suministradas en la "Tabla de ciclos de lavado". El distribuidor de detergente se encuentra en la parte interna de la puerta.

Carga del detergente

Para abrir la tapa "A" presione el pulsador "B".

El detergente para el lavado se introduce en la cubeta "C".

Después de verter el detergente, cierre la tapa presionando hasta que haga "click".



Atención: para facilitar el enganche de la tapa, antes del cierre, elimine eventuales residuos de detergente caídos en los bordes de la cubeta.

El abrillantador

Este producto devuelve la vajilla más brillante y mejora el secado. El depósito del abrillantador está ubicado en el interior de la puerta; se debe llenar cada 80 lavados aproximadamente (en los modelos con luz indicadora de falta de abrillantador, se debe llenar cuando se enciende la correspondiente lámpara testigo).

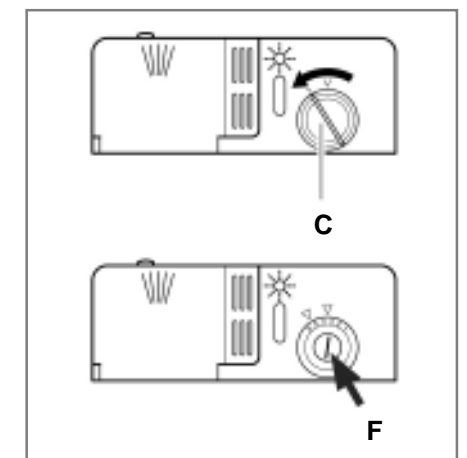
Carga del abrillantador

Para abrir el recipiente es necesario girar en sentido antihorario la tapa "C" y cuando vierta el abrillantador evite que se derrame. Se puede regular la cantidad de producto suministrada, accionando, con un destornillador, el regulador "F" colocado debajo de la tapa "C". Hay 6 posiciones posibles, normalmente está colocado en la 3.

Importante:

La regulación del suministro del abrillantador permite mejorar el secado.

Si sobre la vajilla lavada quedan gotas de agua o manchas, es necesario girar el regulador hacia los números más altos. Si la vajilla lavada presenta estriaciones blancas, girar el regulador hacia los números más bajos.



Carga del lavavajillas

Antes de colocar las vajillas en el lavavajillas, quite los granos más grandes de comida, para que no tapara el filtro, de lo que podrá reducir la propiedad.

Si en el bote y los platos hay comidas duras, lo mejor es empaparlos antes de lavar. Para lavados extras, no hace falta empaparlos. Saque la cesta, en lo que coloque los cubiertos.

Cómo utilizar la cesta inferior

-Proponemos que coloque las vajillas que son difíciles de lavar, como botes, platos, tapas, puentes y tazones, en la cesta inferior, según la figura a la derecha.

-Coloque las fuentes y las tapas en un lado de la cesta para que no bloqueen al brazo aspersor.

-Los botes y tazones se debe colocar con la apertura hacia abajo.

-Coloque las ollas hondas un poco inclinadas para que el agua pueda salir mejor.

-El canasto inferior está dotado de sectores reclinables (vea la fig.A) para poder colocar ollas y sartenes más grandes o en mayor cantidad.

-La cesta para vajillas de plata se puede dividir en dos (vea la fig.B), así cuando la vajilla es más ligera, se puede utilizar sólo una parte.

Y así también se puede ceder espacio para los botes y platos.

-Las vajillas de plata se debe colocar con el mango hacia abajo en la cesta para vajillas de plata; si tiene una lateral, las cucharas se debe colocar solamente en una cesta adecuada. Especialmente para las largas, se debe colocar a un puesto delantero horizontal en la cesta superior.

Cómo utilizar la cesta superior

El diseño de la cesta para vajillas superior es para colocar unos cubiertos de buena hechura y más ligeros, como vasos de vidrio, tazas, platillos, platos, tazonillos y platos llanos (a condición de que ellos no están tan sucios).

-Coloque bien los cubiertos para que no moviera cuando se lavan por agua.

-La cesta para vajillas superior se puede subir y bajarse con el control de los botones bilaterales (vea la fig.C).

Ajuste la cesta superior al nivel más alto entonces usted tiene más espacio para acomodar esas cacerolas y bandejas más altas en la cesta inferior.

El estante de soporte

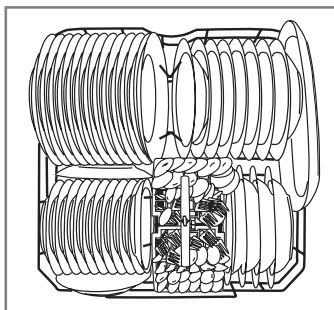
Coloque los vasos altos de vidrio y los objetos que tienen mangos largos al estante de soporte, no se apoya en o contra otros objetos que se va a lavar.

Coloque los vasos de vidrio, tazas y tazonillos a la cesta extra para tazas. La cesta extra para tazas se puede girar hacia afuera o dentro según su exige (vea la fig.D).

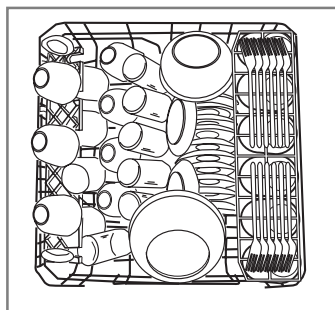
Portaherramienta

Esta portaherramienta está a un lado del estante arriba. Pueda lavar el cuchillo grande y afilado independientemente y evitar el dano (vea la fig.E).

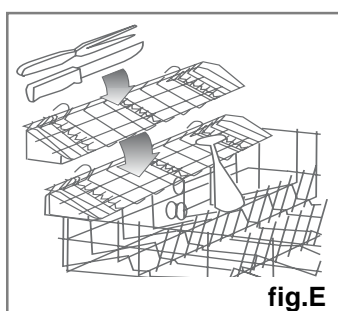
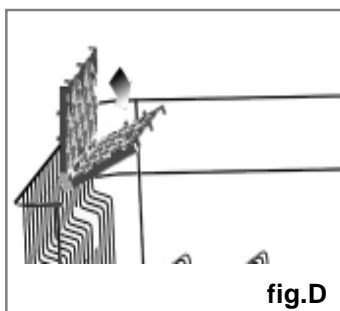
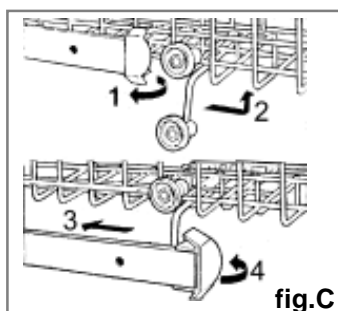
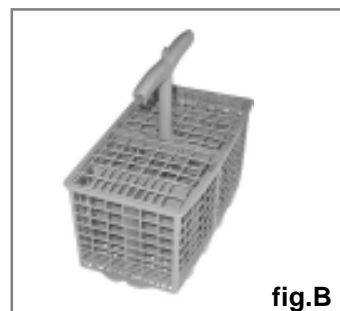
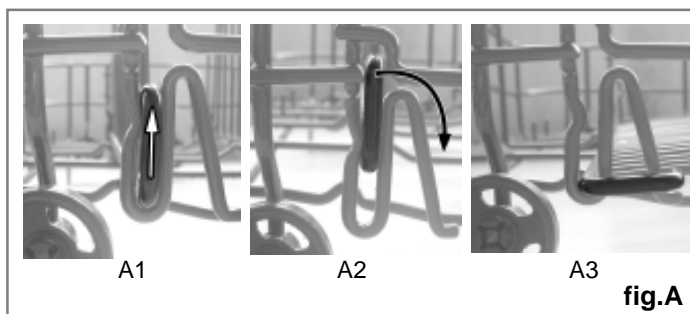
Cesto inferior



Cesto superior



Carga estándar de 12 servicios



Empezar la aplicación

Activar un programa de lavamiento

Después de cumplir las fases anteriores, hay que poner en funcionamiento el interruptor al agua, y con la puerta medio abierta, se puede tocar el botón "A" de ON-OFF, en ese momento se encenderá la lámpara indicadora "B".

Hasta este momento la máquina ya está lista para recibir sus órdenes.

diseñar y activar un programa de lavamiento

Puede elegir diferentes procedimientos lavatorios por tocar el botón "G", y con cada tocamiento se encenderá parpadeando correspondientemente la lámpara indicadora "F".

Elige por favor el programa más apropiado teniendo en cuenta los tipos de platos (hay que consultar el formulario referido a programas de lavamiento, que se encuentra en este manual, especialmente para los que utilizan esta máquina por primera vez).

Cerrar la puerta de la máquina, y después comienza el procedimiento lavatorio, ya no se puede hacer modificaciones. Si es necesario, por favor lee el párrafo de "cancelar o modificar programas antes de activar la máquina". Cuando termina todo el procedimiento lavatorio la máquina sonará seis veces y se apagará la lámpara indicadora "F".

Cancelar o modificar el programa de lavamiento antes de activar la máquina

Premisa: una vez activar la máquina, sólo puede cancelar o modificar el procedimiento lavatorio dentro de muy poco tiempo, si no, el detergente será utilizado ya, y el agua será drenada. En tal caso, se necesita poner detergente otra vez. (ver el párrafo sobre "Carga del detergente")

Si quiere modificar la programación que ya está en funcionamiento, hay que abrir la puerta de la máquina, y apretar el botón "A" del indicador ON-OFF, siguiendo las instrucciones del párrafo titulado "Activar un programa de lavamiento", "diseñar y activar un programa de lavamiento".

Si quiere diseñar nuevo programa, puede consultar el párrafo sobre "diseñar y activar un programa de lavamiento".

Si usted olvida lavar unos platos...

Hay que abrir la puerta con atención (evitar ser dañado por el agua caliente dentro de la máquina), así se interrumpirá el procedimiento lavatorio, y una vez cerrar la puerta, después de 30 segundos se continuarán los siguientes pasos del mismo procedimiento.

Cuando termina el procedimiento lavatorio...

Cuando termina el procedimiento lavatorio, la máquina sonará seis veces al mismo tiempo que la luz del indicador "F" será apagada. Hay que abrir la puerta y tocar el botón de "ON-OFF" para terminar el abastecimiento del agua. Antes de coger las vajillas, hay que esperar por unos minutos, para evitar ser dañado por los platos muy calientes (y es muy fácil romper los platos), y para que los platos estén más secados.

Programar y activar el tiempo de retraso

Con la puerta medio abierta, puede averiguar si se ha pulsado el botón "J" (ver el gráfico de la pantalla de control). Para cada programa de lavamiento puede programar el tiempo de retraso como 2,4,6,8,10 o 12 horas. Con cada tocamiento al botón, la lámpara "I" se centelleará para enseñarle el actual tiempo de retraso programado.

Después de programar el tiempo de retraso, por lo siguiente se puede diseñar el programa de lavamiento y puede tomar como referencia las instrucciones sobre "activar el programa de lavamiento". Cuando termina todos estos procesos, cierra la puerta y empieza a medir el tiempo hacia atrás, mientras que se encenderá la lámpara de retraso "I". Cuando termina el tiempo de retraso, se apagará la lámpara "I" y se activará el programa de lavamiento.

Notas:








- Durante el tiempo de retraso no puede hacer ninguna modificación del programa. Si es necesario, el programa puede ser cancelado por apretar el botón "A" del indicador ON-OFF, en el panel de control.
- En caso de que se corta el corriente de electricidad o la puerta fue abierta, se interrumpirá la medición del tiempo de retraso. Y una vez se recupera la electricidad o se cierra la puerta, se seguirá el proceso de medición.

VII. Botones para ajustar el programa de lavamiento

Botón de lavamiento con 1/2 agua

Si son pocas las vajillas, puede tocar este botón (ver el gráfico "C" de la pantalla de control) para elegir el modo de lavar sólo la parte superior del armazoncillo. Así se ahorrará el agua y la electricidad. Hay que tener en cuenta de que este programa no se puede utilizar para lavar muchos o muy sucios platos.

Tabla de programas de lavado

Programa	Indicaciones para la elección de los programas	Descripción del ciclo	Detergente lavado	Abrillantador
 Intensivo	Vajilla, ollas y sartenes muy sucias (no debe utilizarse con vajilla delicada).	Prelave con agua caliente. Lavado prolongado a 70°C. Enjuague con agua fría. Enjuagar con agua caliente. Secado.	30g	★
 Lavado Normal	Vajilla y ollas muy sucias (no usar para piezas delicadas).	Segunda vez de prelavamiento con agua fría. Lavado prolongado a 55°C. Enjuague con agua fría. Enjuagar con agua caliente. Secado.	30g	★
 Lavamiento ligero (IEC-EN50242)	Platos normalmente sucios Ollas o sartenes sin costras.	Prelave con agua fría. Lavado prolongado a 50°C. Enjuague con agua fría. Enjuagar con agua caliente. Secado.	5g+25g	★ (5)
 Lavado de Vidrios	Ciclo económico y veloz para piezas más sensibles a las altas temperaturas, a utilizar inmediatamente después del uso.	Lavado a 60°C. Aclarado con agua tibia. Aclarado con agua caliente. Secado.	15g	★
 Rápido	Programa económico y rápido para lavar vajilla poco sucia inmediatamente después de su uso. Sin secado.	Programa de lavado corto a 40°C. Aclarado en frío.	15g	
 Remojo	Lavado preliminar de ollas y vajilla a la espera de completar la carga en la sucesiva comida.	Breve lavado frío para impedir que los residuos de comida se sequen sobre la vajilla.		
 lavamiento con agua caliente	Programa de lavamiento con calentamiento y secamiento	lavamiento con agua caliente.		★

Consejos para el ahorro de energía

- Para ahorrar energía es importante probar y utilizar el lavavajillas cuando está completamente lleno. Para evitar la formación de malos olores y que los alimentos se peguen en la vajilla, utilice el programa en frío.
- Elija el programa de lavado correcto: la elección depende del tipo de vajilla, de las ollas y sartenes y del grado de suciedad.

- Utilice la cantidad justa de detergente: no por utilizar más detergente la vajilla queda más limpia, sin embargo, el impacto negativo en el medio ambiente es mayor.
- No es necesario aclarar la vajilla y las ollas y sartenes antes de introducirlas en el lavavajillas.

Cómo cuidar el lavavajillas

Después de cada lavado

Cierre el grifo de suministro de agua y deje la puerta entreabierta para evitar que se formen malos olores y humedad en su interior.

Saque el enchufe

Antes de efectuar cualquier operación de limpieza o mantenimiento. No corra riesgos.

No utilice productos de limpieza abrasivos ni disolventes

Para limpiar el exterior y las partes de goma del aparato. Utilice un paño humedecido con agua tibia y detergente.

Para eliminar las manchas de la superficie interior, utilice un paño humedecido en agua con un poco de vinagre o un producto de limpieza especial para lavavajillas

Desplazamiento del aparato

Si fuera necesario mover el aparato, intente mantenerlo en posición vertical. Si fuera absolutamente necesario, puede tumbarse sobre la parte posterior.

Juntas

Una de las causas de la formación de malos olores en el lavavajillas es que las partículas de comida quedan atrapadas en las juntas. Limpie periódicamente las juntas con una esponja húmeda para evitarlo.

Cuando vaya a ausentarse por vacaciones

Recomendamos ejecutar un ciclo de lavado con el lavavajillas vacío, sacar el enchufe, cerrar el grifo y dejar la puerta entreabierta. De este modo se evita el deterioro de las juntas y la formación de malos olores en el interior del aparato.

Limpieza y mantemimientos particulares

El grupo filtrante

Para lograr siempre buenos resultados de lavado, es necesario limpiar el grupo filtrante.

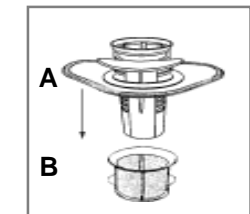
Gracias al filtro, se eliminan del agua de lavado los residuos de comida y la misma se recicla perfectamente filtrada. Por ello, después de cada lavado es importante quitar los residuos más grandes retenidos en el recipiente y en el filtro semicircular "A" enjuagándolos debajo del agua corriente; para extraer el grupo filtrante tirar el mango de dicho recipiente hacia arriba. Al menos una vez por mes es necesario limpiar cuidadosamente todo el grupo filtrante constituido por el filtro semicircular "A" y por el microfiltro "B".

Para la limpieza del filtro y del microfiltro ayudarse con un cepillo. Reunir luego los dos elementos como se indica en las figuras de más abajo e introducir nuevamente todo el grupo filtrante en el lavavajilla colocándolo presión hacia abajo.

El lavavajilla no se debe usar sin filtros. Una reubicación errónea de los filtros puede llevar a una reducción de la eficacia de lavado o a provocar daños en el lavavajilla.

Limpieza de los brazos rociadores

Puede suceder que algunos residuos de comida se peguen en los brazos rociadores obstruyendo los orificios; controlarlos periódicamente y limpiarlos (ver Vista de cerca (interior) letras (D-F)).



Lavar la red de filtro del agua entrada

Lave la red de filtro del grifo donde sale el agua regularmente. Después de cerrar el grifo, desenrosque el extremo del tubo de toma, saque la red de filtro y la lave con agua limpio. Finalmente, reduzca la red de filtro y enroque el tubo de toma.

Algunos problemas

Puede suceder que el lavavajilla no funcione o no funcione bien. Antes de llamar a la asistencia, veamos juntos que se puede hacer: es posible que se haya olvidado de presionar alguna tecla o no haya hecho, por distracción, una maniobra necesaria para que la máquina funcione.

El lavavajilla no arranca

Controlar si :

el enchufe está bien introducido en el toma, hay corriente en la casa, la puerta está bien cerrada, el pulsador de encendido/apagado está en la posición "MARCHA", el grifo está abierto.

El lavavajilla no carga agua

Controlar si :

el grifo está abierto y bien conectado al tubo, falta agua en la casa o no llega con suficiente presión, el tubo está plegado, el filtro del tubo de alimentación de agua está obstruido.

La vajilla no está limia

Controlar si :

el grifo está abierto y bien conectado al tubo, falta agua en la casa o no llega con suficiente presión, el tubo está plegado, el filtro del tubo de alimentación de agua está obstruido.

El lavavajilla no descarga

Controlar si :

el tubo de descarga está plegado.

Sobre la vajilla quedan depósitos calcáreos o una patina blanca

Controlar si :

la tapa del depósito de sal está bien cerrada, la dosificación de abrillantador está bien regulada.

Mensajes errors

Esta máquina está equipada de un sistema de seguridad que puede detectar los errores y problemas del funcionamiento. Los errores, una vez detectados, serán señalados a través de los rápidos centelleos de la lámpara LED "F".

Cuando funciona el programa de remojo y lavamiento, si la lámpara indicadora centellea frecuentemente, puede consultar a las instrucciones de "cancelar o modificar el programa en caso de que la máquina se pone en funcionamiento" para cancelar el programa. Luego, puede examinar si hay agua en la tubería, o si está abierto el grifo. Después de todo esto, si sigue centelleando la lámpara indicadora de errores, hay que pedir ayuda a los personales técnicos contándole los mensajes errores.

En caso de que se centellean otras lámparas de la máquina, hay que consultar a personales técnicos indicándole los detalles.


Si no obstante todos los controles, el lavavajilla no funciona y es inconveniente por Ud. encontrado, permanece, llame al centro de asistencia autorizado más cercano, comunicando la siguiente información.

- el tipo de avería

- la sigla del modelo (Mod...) y el número de serie (S/N...) indicados en la chapa aplicada en la parte lateral de la contrapuerta.

No recurra nunca a técnicos no autorizados y rechace siempre la instalación de repuestos no originales.



El símbolo  en el producto o en su embalaje indica que este producto no se puede tratar como desperdicios normales del hogar. Este producto se debe entregar al punto de recolección de equipos eléctricos y electrónicos para reciclaje. Al asegurarse de que este producto se deseché correctamente, usted ayudará a evitar posibles consecuencias negativas para el ambiente y la salud pública, lo cual podría ocurrir si este producto no se manipula de forma adecuada.

Para obtener información más detallada sobre el reciclaje de este producto, póngase en contacto con la administración de su ciudad, con su servicio de desechos del hogar o con la tienda donde compró el producto.

Instalación

Colocación del aparato

Coloque el aparato en la ubicación deseada. La parte trasera debe estar contra la pared y los laterales contra los armarios o paredes adyacentes. El lavavajillas está equipado con toma de agua y tubos de desagüe que pueden colocarse a la izquierda o a la derecha, según sea necesario, para facilitar la instalación.

Nivelación del aparato

Una vez colocado el lavavajillas, ajuste los pies para nivelarlo (enroscar o desenroscar). En cualquier caso, el aparato no debe estar inclinado más de 2°. Si el aparato está nivelado, el rendimiento mejora.

Conexión del agua fría

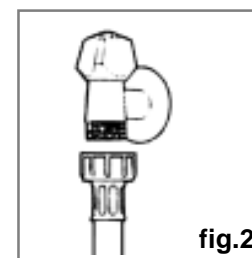
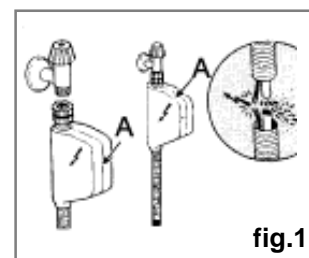
Conecte el tubo flexible de alimentación del agua fría a un conector de rosca de 3/4 (gas) y asegúrese de que está correctamente enroscado (consulte la Fig.2).

Si los tubos del agua son nuevos o si no se han utilizado durante mucho tiempo, deje correr el agua para asegurarse de que el agua está limpia y sin impurezas. Si no se toma esta precaución, puede bloquearse la toma de agua y dañar el aparato.

Conexión del agua caliente

El suministro de agua del aparato también puede conectarse a la tubería del agua caliente de la casa (sistema centralizado, sistema de calefacción), siempre que no supere los 60°C.

En este caso, la duración del ciclo de lavado se acorta unos 15 minutos y se reduce ligeramente la eficacia del lavado. La conexión a la tubería del agua caliente se realiza del mismo modo que a la del agua fría.



Advertencia:

Usa la tubería de agua, hay que conectar esta instalación con origen de agua, no se puede la tubería vieja otra vez.

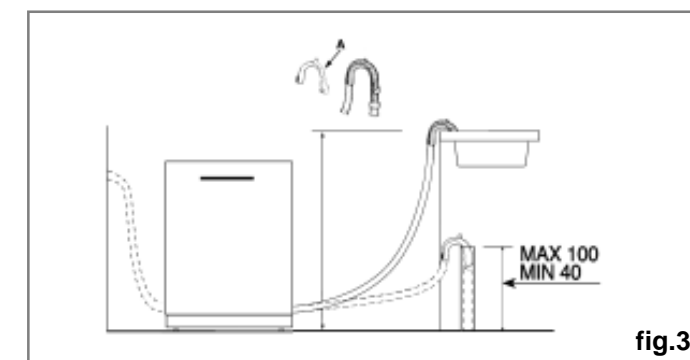
Protección contra inundaciones

Para evitar daños en la casa, el lavavajillas está equipado con un sistema que corta el suministro de agua en caso de problemas con el tubo flexible de alimentación del agua o fugas dentro de la unidad. Si por alguna razón se daña a la caja que contiene los componentes eléctricos, saque el enchufe del lavavajillas inmediatamente. Para garantizar el correcto funcionamiento de

la protección contra inundaciones, la caja "A" con el tubo flexible de alimentación debe estar conectado al grifo de suministro del agua como se muestra en la Fig.1. No debe utilizarse ningún otro tipo de conexión. El tubo flexible de alimentación no debe cortarse bajo ningún concepto, ya que contiene partes eléctricas activas. Si la longitud del tubo flexible no alcanza para realizar una conexión correcta, sustitúyala por un tubo más largo. Este tubo flexible está disponible a través de minoristas especializados y del Servicio de asistencia técnica.

Conexión del tubo de desagüe

Introduzca el tubo de desagüe en una tubería de desagüe con un diámetro mínimo de 4 cm o colóquelo en el fregadero y asegúrese de que no esté torcido ni doblado. Utilice el soporte especial de plástico que se incluye con el aparato (vea la Fig. 3). El extremo libre del tubo debe estar a una altura entre 40 y 100 cm y no debe sumergirse en el agua.



Atención:

Fije correctamente el soporte especial de plástico del tubo a la pared para evitar que se mueva y se derrame agua fuera.

Conexión eléctrica

Una vez comprobado que el voltaje y la frecuencia de la casa y los de la placa de datos (situada en la parte interior de la puerta de acero inoxidable del aparato) coinciden y que el sistema eléctrico está adaptado para el máximo voltaje de la placa de datos, introduzca el enchufe en la toma de corriente con una puesta a tierra adecuada (la puesta a tierra del aparato es obligatoria por ley).

Si la toma de corriente a la que se conectará el aparato no es la adecuada para el enchufe, cambie el enchufe en lugar de utilizar adaptadores o similares ya que pueden producir sobrecalentamientos y quemaduras.

Advertencia:

El enchufe de la máquina lavaplatos debe ser accesible aunque se coloca de forma empotrada, así se facilitará los posteriores mantenimiento y reparación de la máquina.

A segurança é um bom hábito a desenvolver

AVISO

Leia atentamente as instruções do presente manual, dado que elas contêm informações importantes e essenciais para uma instalação, utilização e manutenção segura e adequada do aparelho.

CE Este aparelho está em conformidade com as seguintes directivas da CE:

-73/23/EEC de 19 de Fevereiro de 1973 (Baixa Tensão) e posteriores alterações;

- 89/336/EEC de 3 de Maio de 1989 (Compatibilidade electromagnética) e posteriores alterações.

- Elimine cuidadosamente os materiais da embalagem.

- Após a remoção da embalagem, certifique-se de que o aparelho não está danificado. Em caso de dúvida, contacte um técnico especializado.

- A máquina apenas deve ser utilizada por adultos para a lavagem de loiça doméstica e utensílios de cozinha.

- O aparelho não se destina a ser utilizado por crianças pequenas ou por pessoas inaptas sem supervisão.

- As crianças pequenas devem ser vigiadas a fim de garantir que não brinquem com o aparelho.

- Mantenha os detergentes fora do alcance das crianças e mantenha estas últimas afastadas da máquina de lavar loiça quando esta estiver aberta.

- Este aparelho não deve ser instalado no exterior, ainda que o local esteja protegido por um telhado; também é perigoso deixá-lo exposto à chuva e aos agentes atmosféricos.

- Não toque na resistência durante ou após um ciclo de lavagem.

- Não se apoie nem se sente na porta quando esta estiver aberta, dado que poderá fazer com que a máquina de lavar loiça se vire.

- Se o aparelho não funcionar devidamente, feche a água e retire a ficha da tomada. De seguida, consulte a secção intitulada "Resolução de problemas". Se não conseguir resolver o problema, contacte um centro de assistência.

- Apenas o pessoal técnico especializado está autorizado a efectuar reparações.

- Os aparelhos que já não sejam usados devem ficar inutilizados mediante o corte do cabo de alimentação e a remoção do fecho da porta.

- Se o cabo de alimentação estiver danificado, substitua-o por um cabo ou conjunto adequado, disponíveis junto do fabricante ou do serviço de assistência.

- Após a instalação, deverá ser possível aceder facilmente à ficha de alimentação.

- Regras fundamentais relativas à utilização do aparelho:

* Nunca toque na máquina de lavar loiça descalço ou com as mãos ou os pés molhados;

* Não é aconselhável a utilização de extensões e tomadas múltiplas;

* Durante a instalação, o cabo de alimentação não deve ser dobrado ou achatado de forma excessiva ou perigosa;

* Se o aparelho não estiver a funcionar devidamente ou necessitar de manutenção, desligue-o da rede eléctrica.

Para manter a EFICÁCIA e a SEGURANÇA deste aparelho, recomendamos:

- contacte apenas os Centros de Assistência autorizados pelo fabricante.

- utilize sempre peças sobresselentes originais

Vista detalhada (interior)



A Armação de copos

B Cesto superior

C Ajustador da altura do cesto

D Braço aspersor superior

E Cesto inferior

F Braço aspersor inferior

G Filtro de lavagem

H Compartimento do detergente e do abrillantador

I Tampa do compartimento do sal

J Cesto de utensílios de prata

K Suporte para facas

L Terceiro aspersor

Vista detalhada (painel de controlo)



A Botão ON-OFF

B Indicador ON-OFF

C Botão "HALF LOAD"

D Indicador De Pouco Abrilantador

E Indicador De Pouco Sal

F Lâmpada Indicadora Programas

G Selector De Programas

H Lâmpada Indicadora "MEDIA CARGA"

I Adiamento Da Luz Indicadora De Lavagem

J Selector Temporizador

Características técnicas

Largura 60 cm

Profundidade 58 cm

Altura 82 cm

Capacidade para 12 unidades standard

Pressão da água da rede 0.03-0.6MPa

Voltagem 220-240V~ 50Hz

Consumo total de energia 1950W

Sal

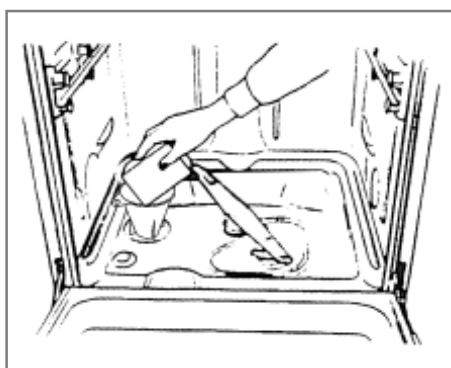
O grau de dureza da água varia de local para local. Se a água que utiliza na máquina for dura, formar-se-ão depósitos na loiça e nos utensílios.

O aparelho está equipado com um amaciador especial que utiliza um sal especificamente concebido para eliminar o calcário e os minerais da água.

Deitar o sal no amaciador

Utilize sempre sal próprio para máquinas de lavar loiça. O compartimento do sal está localizado debaixo do cesto inferior e deve ser enchido da seguinte forma:

- Retire o cesto inferior e, de seguida, desenrosque e remova a tampa do compartimento do sal;
- Se estiver a encher o compartimento pela primeira vez, encha-o com água;
- Coloque a extremidade do funil (fornecido) no orifício e introduza cerca de 2 kg de sal. É normal que uma pequena quantidade de água saia do compartimento do sal.
- Coloque cuidadosamente a tampa no lugar.

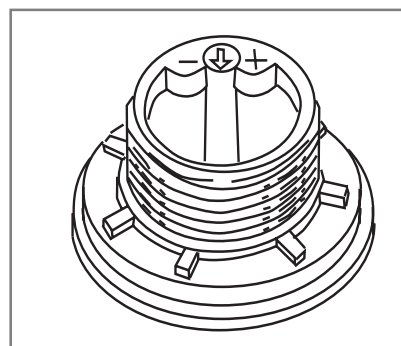


Encha o compartimento do sal quando o indicador de "pouco sal" (localizado no painel de controlo) se acender.

Para evitar a formação de ferrugem, coloque o sal imediatamente antes do início do ciclo de lavagem.

Ajustar o consumo de sal

A máquina de lavar loiça foi concebida para permitir o ajuste do consumo de sal de acordo com o grau de dureza da água. Tal visa otimizar e adaptar o nível de consumo de sal por forma a reduzi-lo ao mínimo. A tabela dos serviços municipalizados indica-lhe o grau de dureza da água da sua área de residência. Para ajustar o consumo de sal, proceda da seguinte forma:



- Desenrosque a tampa do compartimento do sal;
- O compartimento possui um anel com uma seta (ver a figura ao lado).
- Se necessário, rode o anel no sentido contrário ao dos ponteiros do relógio, partindo da definição "-" para o sinal "+", consoante o grau de dureza da água.

É recomendável que os ajustes sejam feitos de acordo com o esquema seguinte:

Dureza da água				Posição selector	Consumo sal (gramas/ciclo)	Autonomia (ciclos/2kg)
Nível	°fH	°dH	mmol/l			
1	0 ÷ 14	0 ÷ 17	0 ÷ 1,7	/	0	/
2	14 ÷ 36	18 ÷ 44	1,8 ÷ 4,4	"-"	20	60
3	36 ÷ 71	45 ÷ 89	4,5 ÷ 8,9	MED	40	40
4	>71	>89	>8,9	"+"	60	25

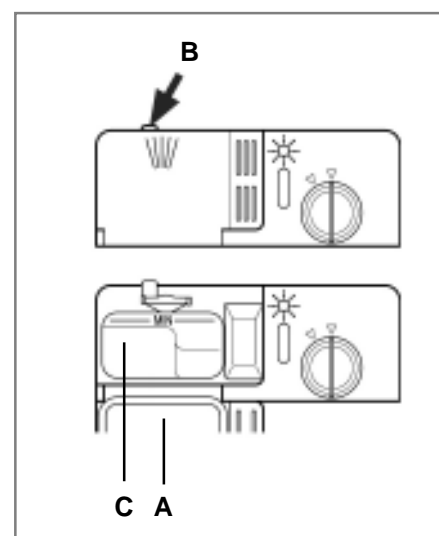
Detergente

Utilize detergentes específicos para máquinas de lavar loiça. Encha novamente o compartimento antes do início de cada ciclo de lavagem, conforme as instruções fornecidas na "Tabela de ciclos de lavagem". O compartimento está situado no painel interior da porta.

Deitar o detergente

Para abrir a tampa "A" do compartimento, prima o botão "B". Deite o detergente relativo ao ciclo de lavagem no compartimento "C".

Depois de deitar o detergente no compartimento, feche a tampa e prima-a até ela encaixar com um estalido.



Aviso: Para fechar a tampa mais facilmente, retire qualquer excesso de detergente dos rebordos do compartimento.

Abrilhantador

Este produto deixa a loiça brilhante e permite que ela seque sem manchas. O compartimento está situado no painel interior da porta e deverá ser novamente enchido ao fim de cada 80 ciclos de lavagem (ou, então, quando o indicador do abrilhantador se acender, nos modelos equipados com esta função).

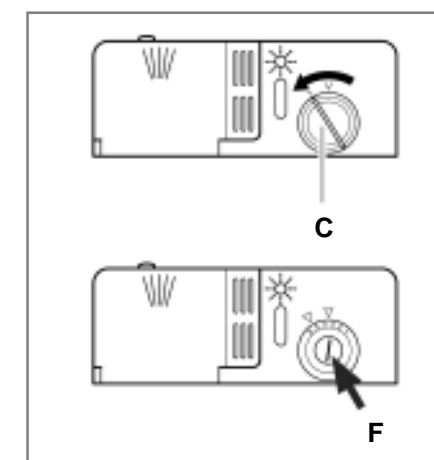
Deitar o abrilhantador

Para abrir o compartimento, rode a tampa "C" no sentido contrário ao dos ponteiros do relógio e, de seguida, adicione o abrilhantador, tendo o cuidado de não encher o compartimento em demasia. A quantidade de abrilhantador utilizado para cada ciclo pode ser regulada rodando o doseador "F", localizado sob a tampa "C", com uma chave de fendas. Existem 6 definições diferentes; a definição normal de dosagem é 3.

Importante

Uma dosagem adequada do abrilhantador melhora o processo de secagem. Se a loiça ficar com gotas de água ou manchas, rode o doseador para uma definição mais elevada.

Se a loiça ficar com riscas brancas, rode o doseador para uma definição mais baixa.



Introduzir a loiça na máquina

Antes de introduzir a loiça na máquina, elimine os resíduos maiores para evitar que o filtro fique entupido, situação passível de originar uma diminuição do rendimento.

Se tiver utilizado os tachos e as panelas na preparação de alimentos extremamente difíceis de remover, deixe-os de molho antes de os lavar. Tal eliminará a necessidade de ciclos de lavagem extra. Puxe o cesto para fora para facilitar a introdução da loiça na máquina.

Como utilizar o cesto inferior

Recomendamos que coloque as peças mais difíceis de lavar no cesto inferior: tachos, panelas, tampas, travessas e terrinas, conforme indicado na figura da direita.

É preferível colocar as travessas e as tampas na parte lateral dos cestos de modo a evitar bloquear a rotação do braço aspersor superior.

- Tachos, terrinas, etc. devem ser sempre colocados virados para baixo.

- Os tachos fundos devem ficar inclinados para permitir que a água esorra.

- O cesto inferior possui sectores inclináveis (ver a fig.A) para poder colocar panelas e frigideiras maiores ou em maior quantidade.

- O cesto dos talheres pode ser duplicado (ver a fig.B) de forma a que apenas uma secção possa ser utilizada quando o número de talheres for reduzido. Isto permite criar espaço para tachos e panelas adicionais. Este cesto também pode ser colocado no cesto superior.

- Os talheres devem ser colocados no respectivo cesto com os cabos para baixo; se o cesto possuir cestos laterais, as colheres devem ser colocadas individualmente nas respectivas ranhuras.

Utensílios particularmente compridos devem ser colocados na posição horizontal, na parte frontal do cesto superior.

Como utilizar o cesto superior

O cesto superior foi concebido para a loiça mais delicada e leve como, por exemplo, copos, chávenas de café e chá, molheiras, bem como pratos, tigelas pequenas e panelas pouco profundas (desde que não estejam demasiado sujas).

- Coloque os pratos e os utensílios de cozinha de forma a que não possam ser deslocados pelo jacto de água.

- Podia ajustar a altura da estante alta com os parafusos nos dois lados. (ver a fig.C)

Depois de ajustar a posição do cesto superior para um nível mais alto, você deixará maior espaço para o cesto baixo com o fim de pôr lá os tachos mais compridos, pratos, etc.

A prateleira basculante

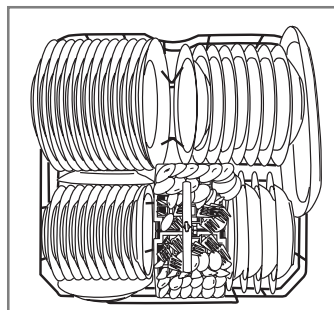
Copos de pé alto ou copos grandes devem ficar apoiados nesta prateleira e não noutras peças de loiça.

Copos, chávenas e pequenas taças podem ser arrumadas na prateleira basculante. A prateleira basculante pode ser levantada ou baixada, em função das necessidades. (ver a fig.D)

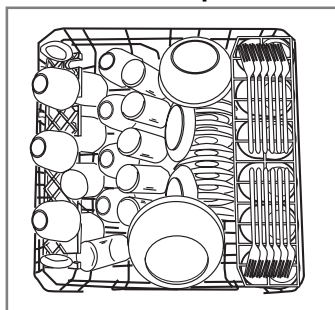
Suporte para facas

A armação das facas fixa-se no cesto-ápice, por isso, você poderá isolar as afiadas facas grandes dos outros para não ferirem as pessoas. (ver a fig.E)

Cesto inferior



Cesto superior



Carga para 12 unidades standard

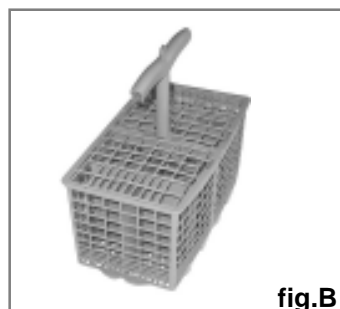
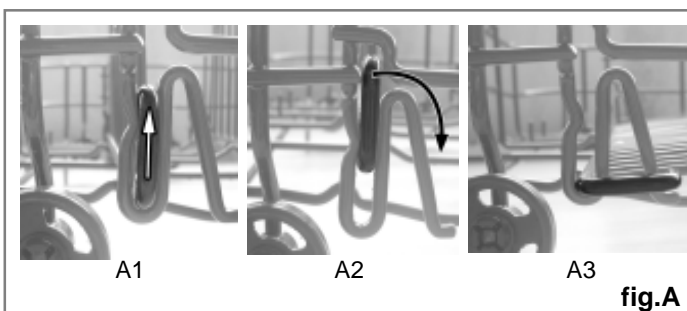


fig.B

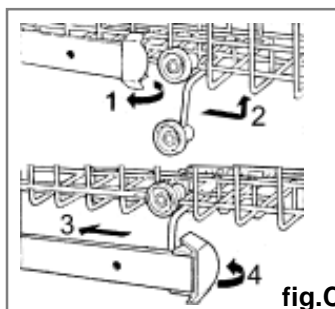


fig.C

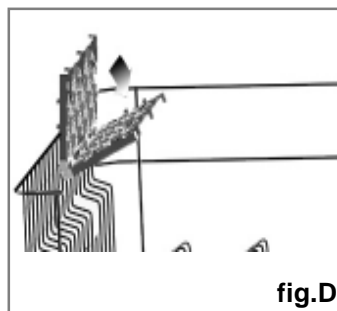


fig.D

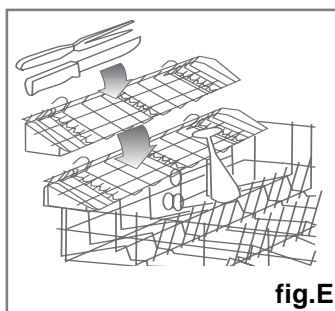


fig.E

Utilização da máquina de lavar loiça

Iniciar um ciclo de lavagem

Depois de acabar todo o processo de instalação referido nos anteriores parágrafos, abra a torneira de água para o aparelho, abra meio a porta dela e carregue "A" do botão "ON-OFF". E depois, a luz indicadora "B" brilhará. Então, tudo está pronto e aguarda o seu comando do programa.

Escolher e começar um ciclo de lavagem

Através de carregar o botão selector do ciclo "G", você poderá escolher seu ciclo de lavagem adequado. Ao premer este botão, a luz indicadora de ciclo "F" ficará acesa com centelhas.

De acordo com a loiça, escolha seu ciclo mais adequado. (consultar a tabela sobre o ciclo de lavagem desta guia, especialmente quando utilizar pela primeira vez a máquina). Feche a porta e depois, o aparelho iniciará o funcionamento do ciclo e não se modificará. Se for necessário, leia o parágrafo intitulado "Cancelamento ou modificação do ciclo de lavagem após o funcionamento do aparelho". Quando acabar o ciclo, o aparelho tocará seis sons indicadores e a luz indicadora "F" será apagada.

Cancelar ou modificar o ciclo de lavagem após o funcionamento do aparelho....

Premissa: Quando o aparelho funcionar, você pode cancelar ou modificá-lo depois de começar o ciclo por curto tempo. Se não, o detergente não será suficiente e a água será escoada. Se assim, o detergente deverá ser novamente aumentado. (ler o parágrafo intitulado "Deitar o detergente") Se for necessário modificar o ciclo de lavagem em funcionamento, abra a porta e prima o botão "A" do indicador ON-OFF, seguindo as instruções do parágrafo titulado "Iniciar um ciclo de lavagem", "Escolher e começar um ciclo de lavagem". Se escolher novamente um ciclo, leia o parágrafo intitulado "Escolher e começar um ciclo de lavagem".

Caso você perda umas louças....

Abra a porta com cuidado (para evitar o jacto da água fervente) e o ciclo de lavagem poderá ser interrompido. Mas 30 segundos depois o ciclo continuará a funcionar desde o ponto onde interrompido, ao fechar outra vez a porta.

No fim do ciclo de lavagem.....

O aparelho tocará seis sons indicadores ao mesmo tempo que a luz do indicador "F" será apagada. Abra a porta e active o botão "ON-OFF" para parar o abastecimento da água. Antes de remover as louças do aparelho, espere por alguns minutos para evitar a queimadura das mãos, e assim, poderá obter os efeitos de secagem melhores.

Fixar o tempo de adiamento do funcionamento

Abra meio a porta e verifique se o botão "J" foi carregado (ver a figura aumentada do "painel de comando"). Em relação a todos tipos de ciclos de lavagem, você pode fixar 2, 4, 6, 8, 10 ou 12 horas de adiamento do funcionamento. Sempre que premer o botão, a luz indicadora "I" começará a centelhar para mostrar a duração de adiamento.

Após a fixação do tempo de adiamento do funcionamento, pode fix o ciclo de lavagem, lendo o parágrafo intitulado "Iniciar o ciclo de lavagem". Tendo acabado a fixação referida acima, feche a porta, e o aparelho tocará um som indicador e depois, o sistema de adiamento do funcionamento começará a contar. Durante este período, a luz indicadora "I" brilhará. Quando acabar o tempo de adiamento, a luz indicadora será apagada e o ciclo entrará em funcionamento.

Atenção:


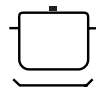





- Durante o período de adiamento do funcionamento, você não poderá modificar nenhum parâmetro definido. Se for necessário, o programa predefinido pode ser cancelado por premer o botão "A" do indicador ON-OFF, que fica no painel de controle.
- Se a electricidade for cortada ou a porta for aberta durante este período, o relógio de contar parará. Se for recuperado o abastecimento da electricidade ou for reaberta a porta, o relógio continuará a funcionar.

Botão de ajustamento do ciclo de lavagem

Tecla de meia carga

Se a máquina não se encher de loiça, prima esta tecla para lavar a loiça da armação superior, assim isso pode economizar a água e a electricidade. (ver a parte "C" da figura aumentada do "painel de comando") Este ciclo de lavagem não se destina a lavar números louças sujas.

Tabela de ciclos de lavagem

Ciclo	Seleção do ciclo Informações	Descrição do Ciclo	Detergente	Abrilhantador
 Intensivo	Pratos, tachos e panelas muito sujos (não usar com peças delicadas)	Pré-lavagem com água quente. Lavagem prolongada a 70°C. Enxaguamento com água fria. Enxaguamento com água quente. Secagem.	30g	★
 Lavagem normal	Pratos, tachos e panelas com grau de sujidade normal. Ciclo diário standard.	2 Prelavados com água fria. Lavagem prolongada a 55°C. Enxaguamento com água fria. Enxaguamento com água quente. Secagem.	30g	★
 Lavagem ligeira (IEC-EN50242)	louça normalmente suja, Tachos e panelas sem restos secos de alimentos	Pré-lavagem com água fria. Lavagem prolongada a 50°C. Enxaguamento com água fria. Enxaguamento com água quente. Secagem.	5g+25g	★ (5)
 Copos	Ciclo económico e rápido para loiça sensível a temperaturas elevadas. A executar logo após a utilização da loiça.	Lavagem a 60°C. Enxaguamento com água morna. Enxaguamento com água quente Secagem.	15g	★
 Lavagem rápida	Ciclo económico com utilização rápida, para loiça pouco suja, logo após a utilização. Sem enxugar.	Lavagem breve a 40°C. Enxaguamento a frio.	15g	
 Molho	Pré-lavagem de pratos, tachos e panelas enquanto se espera que a carga completada com a refeição seguinte.	Breve lavagem a frio para evitar a secagem dos resíduos na loiça.		
 Lavagem aquecida	Ciclo de aquecer loiça e secar lavagem	Lavagem aquecida		★

Sugestões para poupança de energia

- É importante experimentar e utilizar a máquina de lavar loiça quando ela está totalmente cheia de modo a poupar energia. Para evitar a formação de odores e a incrustação de resíduos na loiça, utilize o ciclo de lavagem a frio.
- Seleccione o ciclo de lavagem adequado: a escolha depende do tipo de loiça, acessórios e utensílios a lavar e do grau de sujidade.

- Utilize a quantidade certa de detergente: se usar detergente em demasia, não obterá como resultado uma loiça mais limpa, mas sim um maior impacto negativo no ambiente.
- Não há qualquer utilidade em enxaguar a loiça, os acessórios e os utensílios antes de os colocar na máquina.

Como manter a sua máquina em forma

Após cada lavagem

Após cada lavagem, feche a água e deixe a porta entreaberta de modo a que a humidade e os odores não fiquem retidos no interior do aparelho.

Retirar a ficha

Antes de qualquer operação de limpeza ou manutenção, retire sempre a ficha da tomada. Não corra riscos.

Solventes ou produtos de limpeza abrasivos

Não utilize solventes ou produtos de limpeza abrasivos para limpar o exterior e as partes de borracha da máquina. Utilize um pano e água morna e sabão.

Para eliminar manchas da superfície interior, utilize um pano embebido em água e um pouco de vinagre branco ou, então, um produto de limpeza específico para máquinas de lavar loiça.

Deslocar o aparelho

Se tiver de deslocar o aparelho, tente mantê-lo na posição vertical. Poderá deslocá-lo com a parte traseira virada para baixo, se tal for absolutamente necessário.

Tampões

Um dos factores que originam a formação de odores na máquina é a acumulação de resíduos nos tampões. Uma limpeza periódica com uma esponja impedirá que tal aconteça.

Quando for de férias

Quando for de férias, execute um ciclo de lavagem com a máquina vazia e, depois, retire a ficha da tomada, feche a água e deixe a porta do aparelho entreaberta. Tal ajudará a aumentar a durabilidade dos tampões e a evitar a formação de odores no interior do aparelho.

Limpeza e manutenção especial

Conjunto do filtro

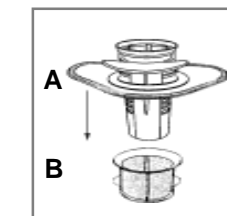
Limpe o conjunto do filtro para obter melhores resultados e um rendimento mais elevado.

O filtro elimina eficazmente as partículas de comida da água de lavagem, permitindo que ela seja reciclada durante o ciclo. Por este motivo, é aconselhável remover, após cada ciclo de lavagem, os resíduos maiores que ficarem retidos no filtro, enxaguando o filtro semi-circular e o copo "A" sob água corrente. Para remover o conjunto do filtro, puxe a pega do copo para cima. Todo o conjunto do filtro (constituído pelo filtro semi-circular "A" e pelo filtro de impurezas "B") deverá ser limpo pelo menos uma vez por mês. Limpe o filtro e o filtro de impurezas com uma escova. Depois, monte novamente os componentes do filtro conforme indicado nas figuras abaixo e volte a inserir todo o conjunto na máquina de lavar loiça, posicionando-o no respectivo lugar e premindo-o para baixo.

Nunca utilize a máquina de lavar loiça sem os respectivos filtros. Uma substituição incorrecta dos filtros poderá diminuir o rendimento do aparelho e danificar a loiça e os utensílios.

Limpar os braços aspersores

Pode acontecer que partículas de alimentos fiquem encrostadas nos braços aspersores obstruindo, assim, os orifícios (ver "Vista detalhada [interior]", letras D-F). Verifique os braços aspersores periodicamente e limpe-os quando necessário.



Limpar o filtro na entrada de água

Limpe periodicamente o filtro na entrada de água que é fixado na saída da torneira. Depois de fechar a torneira, abra o fim da mangueira e tire o filtro para o limpar com água corrente. Recoloque o filtro e parafuse a mangueira.

Resolução de problemas

Pode acontecer que a máquina de lavar loiça não funcione correctamente. Antes de contactar o serviço de assistência, veja o que pode fazer primeiro: esqueceu-se de premir um dos botões ou de realizar uma operação essencial?

A máquina de lavar loiça não começa a trabalhar

Verificou se:

- a ficha está correctamente inserida na tomada;
- tem energia eléctrica em casa;
- a porta está devidamente fechada;
- o interruptor ON-OFF está na posição "ON";
- a torneira da água está aberta.

A máquina de lavar loiça não carrega a água

Verificou se:

- a torneira da água está aberta e se a mangueira está devidamente colocada;
- tem água em casa e se esta possui uma pressão suficiente;
- a mangueira de abastecimento de água está torcida ou dobrada;
- o filtro da mangueira de abastecimento de água está obstruído.

A loiça não está lavada

Verificou se:

- a torneira da água está aberta e se a mangueira está devidamente colocada;
- tem água em casa e se esta possui uma pressão suficiente;
- a mangueira de abastecimento de água está torcida ou dobrada;
- o filtro da mangueira de abastecimento de água está obstruído.

A máquina de lavar loiça não efectua a drenagem

Verificou se:

- a mangueira de descarga está torcida ou dobrada.

Formam-se depósitos de calcário ou uma película branca na loiça

Verificou se:

- a tampa do compartimento do sal está devidamente fechada;
- a dosagem do abrillantador está correcta.

Informações erradas

Este aparelho tem um sistema de segurança que consegue verificar a avaria de funcionamento e os outros problemas. A avaria encontrada mostra-se através do acendimento da luz indicadora "LED" do programa "F".

Se a luz indicadora brilhar rapidamente no ciclo de lavagem imergente (ver a tabela do ciclo de lavagem), você pode cancelar este ciclo, de acordo com o parágrafo intitulado "Cancelamento ou modificação do ciclo de lavagem após o funcionamento da máquina". E depois, verifique se existe água nas canais e se a torneira está aberta. No caso de continuarem a existir as informações, consulte os técnicos e indique as informações do aparelho.


Se as outras luzes indicadoras brilharem rapidamente, corte a electricidade do aparelho, consulte os técnicos e indique as informações das luzes indicadoras.

Se, apesar de todas estas verificações, a máquina de lavar loiça não funcionar e/ou o problema persistir, contacte o centro de assistência autorizado mais próximo e forneça as informações seguintes:

- o tipo de anomalia;
- o número do modelo (Mod...) e o número de série (S/N...), indicados na chapa de características localizada no interior da porta.

Nunca contacte técnicos não autorizados e não permita a instalação de peças que não sejam originais.



O símbolo  no produto ou na embalagem indica que este produto não pode ser tratado como lixo doméstico. Em vez disso, deve ser entregue ao centro de recolha selectiva para a reciclagem de equipamento eléctrico e electrónico. Ao garantir uma eliminação adequada deste produto, irá ajudar a evitar eventuais consequências negativas para o meio ambiente e para a saúde pública, que, de outra forma, poderiam ser provocadas por um tratamento incorrecto do produto.

Para obter informações mais pormenorizadas sobre a reciclagem deste produto, contacte os serviços municipalizados locais, o centro de recolha selectiva da sua área de residência ou o estabelecimento onde adquiriu o produto.

Instalação

Posicionar o aparelho

Posicione o aparelho no local desejado. A parte traseira deverá ficar virada para a parede e as partes laterais ao longo dos armários ou da parede adjacente. A máquina de lavar loiça está equipada com mangueiras de entrada e descarga da água que podem ser posicionadas à direita ou à esquerda para facilitar uma instalação adequada.

Nivelar o aparelho

Uma vez posicionado o aparelho, ajuste os pés (enroscando-os para dentro ou para fora) da máquina de lavar loiça até esta ficar devidamente nivelada. Em qualquer dos casos, o aparelho não deverá ficar com uma inclinação superior a 2°. Um aparelho nivelado ajuda a garantir um desempenho adequado.

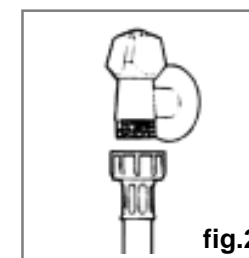
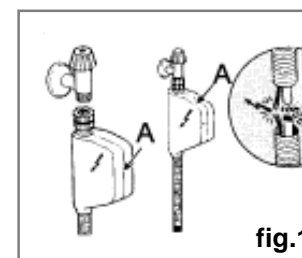
Ligação da água fria

Ligue a mangueira de abastecimento de água fria a um conector roscado (gás) de 3/4 e certifique-se de que o aperta devidamente (ver a Fig.2). Se os tubos da água forem novos ou não tiverem sido utilizados por um período prolongado, deixe a água correr para se certificar de que ela sai limpa e sem impurezas. Se não tomar esta precaução, correrá o risco de a mangueira de entrada da água ficar obstruída e de danificar o aparelho.

Ligação da água quente

O tubo de abastecimento de água do aparelho também pode ser ligado ao circuito de água quente da casa (sistema central, sistema de aquecimento), desde que não exceda uma temperatura de 60°C. Neste caso, o tempo do ciclo de lavagem será cerca de 15 minutos mais curto e a eficácia da lavagem ligeiramente reduzida.

A ligação ao circuito de água quente deve ser feita de acordo com os mesmos procedimentos utilizados na ligação ao sistema de água fria.



Atenção:

O novo tubo da água deve ser colocado na fonte da água. Não pode usar o velho tubo da água.

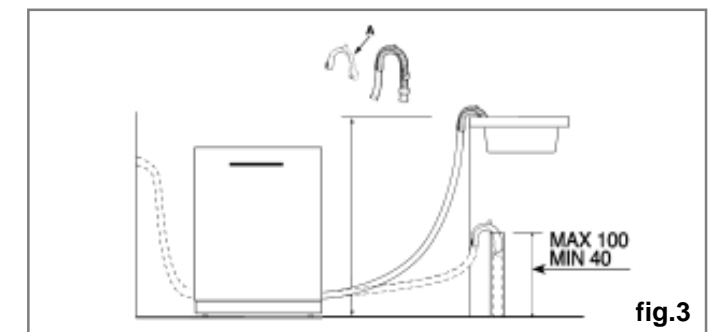
Protecção anti-inundação

A máquina de lavar loiça está equipada com um sistema que interrompe a entrada da água em caso de problemas com a mangueira de abastecimento ou em caso de fugas no interior do aparelho, de modo a evitar danos na sua residência. Se, por qualquer razão, a caixa dos componentes eléctricos for danificada, retire imediatamente a ficha do aparelho da tomada.

A fim de garantir o funcionamento correcto do sistema anti-inundação, a caixa "A" da mangueira de abastecimento deve ser ligada à torneira da água conforme indicado na Fig.1. Nenhum outro tipo de ligação é aceitável. A mangueira de abastecimento de água não deve, em nenhuma circunstância, ser cortada, dado que contém partes eléctricas activas. Se o comprimento da mangueira não permitir uma ligação adequada, substitua-a por uma suficientemente comprida. Esta mangueira está disponível mediante pedido endereçado aos distribuidores e centros de assistência especializados.

Ligação da mangueira de descarga

Insira a mangueira de descarga num tubo de descarga com um diâmetro mínimo de 4 cm ou deixe-a orientada para a banca, evitando dobrá-la ou torcê-la. Utilize o suporte de plástico especial fornecido com o aparelho (ver a Fig. 3). A extremidade livre da mangueira deve ficar a uma altura compreendida entre 40 e 100 cm e não deve ser mergulhada em água.



Atenção:

O suporte de plástico especial da mangueira deve ser solidamente fixo à parede para evitar que a mangueira de descarga se desloque e que a água transborde para fora do tubo de descarga.

Ligação eléctrica

Depois de se certificar de que os valores relativos à voltagem e à frequência da corrente da casa correspondem aos especificados na chapa de características (localizada na porta interior de ao inoxidável do aparelho) e de que o sistema eléctrico é adequado à voltagem máxima especificada na chapa de características, insira a ficha numa tomada eléctrica devidamente ligada à terra (a ligação à terra do aparelho é obrigatória por lei).

Se a tomada eléctrica à qual o aparelho deve ser ligado não for apropriada para a ficha, substitua a ficha em vez de utilizar um adaptador, dado que tal poderá originar um sobreaquecimento e queimaduras.

Advertência:

Se o aparelho se instalar como uma contruída-inferior entidade, a ficha da electricidade deve ser utilizada com facilidade para garantir a reparação segura no futuro.

Veiligheid is een goede gewoonte om te ontwikkelen

BELANGRIJK

Lees de aanwijzingen in deze handleiding goed door, aangezien ze belangrijke informatie bevatten die noodzakelijk is voor een veilige en correcte installatie, gebruik en onderhoud van het apparaat.

CE Dit apparaat voldoet aan de volgende EEG richtlijnen:
- 73/23/EEG dd. 19 februari 1973 (Laagspanning) en daaropvolgende wijzigingen;

- 89/336/EEG dd. 3 mei 1989 (Elektromagnetische Compatibiliteit) en daaropvolgende wijzigingen.
- Het verpakkingsmateriaal voorzichtig verwijderen.
- Controleer nadat de verpakking is verwijderd dat het apparaat niet beschadigd is. Bij twijfel contact opnemen met een bevoegde deskundige.
- De vaatwasser mag alleen worden gebruikt door volwassenen voor het afwassen van vaatwerk en keukengerei.
- Het apparaat is niet bestemd voor gebruik door jonge kinderen of zwakbegaafden zonder toezicht.
- Er op toezien dat jonge kinderen niet met de machine spelen.
- Zeep en dergelijke buiten bereik van kinderen houden; zorg er tevens voor dat ze niet in de buurt van de vaatwasser kunnen komen wanneer deze open staat.
- Dit apparaat niet buitenshuis installeren, zelfs niet wanneer de ruimte waar ze geïnstalleerd wordt overkapt is; het is tevens gevaarlijk om de vaatwasser bloot te stellen aan regen en natuurelementen.
- Het verwarmingselement niet aanraken gedurende of na een wascyclus.

- Niet op de deur leunen of zitten wanneer deze open staat aangezien hierdoor de vaatwasser kan kantelen.
 - Wanneer het apparaat niet werkt, de watertoevoer dichtdraaien en de stekker uit het stopcontact trekken. Vervolgens het onderdeel, "Problemen oplossen" raadplegen. Wanneer u het probleem niet op kunt lossen, contact opnemen met een servicecentrum.
 - Reparaties mogen alleen worden uitgevoerd door gespecialiseerd onderhoudspersoneel.
 - Apparaten die niet meer gebruikt worden moeten buiten bedrijf gesteld worden door het netsnoer af te koppelen en de deurvergrendeling te verwijderen.
 - Wanneer het netsnoer beschadigd is, moet dit worden vervangen bij de fabrikant, of service dealer of bevoegden persoons, voor mijden elektrische gevaren.
 - Na installatie moet de stekker bereikbaar zijn.
 - Fundamentele regels bij het gebruik van het apparaat:
 - * Raak de vaatwasser nooit aan op blote voeten of met natte handen of voeten;
 - * Wij raden het gebruik van verlengsnoeren en stekkerblokken af;
 - * Gedurende de installatie, het netsnoer niet overmatig of gevaarlijk buigen of platdrukken;
 - * Wanneer het apparaat niet goed werkt of onderhoud moet worden uitgevoerd, de stroom naar het apparaat afsluiten.
- Om de EFFICIENCY en VEILIGHEID van dit apparaat te behouden, raden wij aan:
- alleen met door de fabrikant erkende Servicecentra contact op te nemen.
 - reparatie met niet originele onderdelen te weigeren.

Detailopname (bedieningspaneel)



- | | |
|---|---|
| A Knop ON-OFF | F Controlelampje programma's |
| B ON-OFF controlelampje | G Programmaknop |
| C "Half Load" Knop | H Controlelampje halve lading |
| D Glansspoelmiddelniveau laag controlelampje | I Het indicatorlicht van de vertraging |
| E Zoutniveau laag controlelampje | J Keuzeknop delay |

Detailopname (Binnenzijde)



- | | |
|--------------------------------|--|
| A Het kopenrek | G Afwasfilter |
| B Bovenkorf | H "Turbo Dry" fan |
| C Korfhoogte afstelling | I Zeep- en glansspoelmiddel-dispenser |
| D Bovenste sproeiarm | J Dop zoutreservoir |
| E Onderkorf | K De mand voor het tafelzilver |
| F Onderste sproeiarm | L Messen-etagère |
| | M Derde sproeier |

Technische kenmerken

Breedte	60 cm
Diepte	58 cm
Hoogte	82 cm
Capaciteit	12 standaardcouverts
Druk leidingwater	0.03-0.6MPa
Stroomspanning	220-240V~ 50Hz
Totaal energieverbruik	1950W

Zout

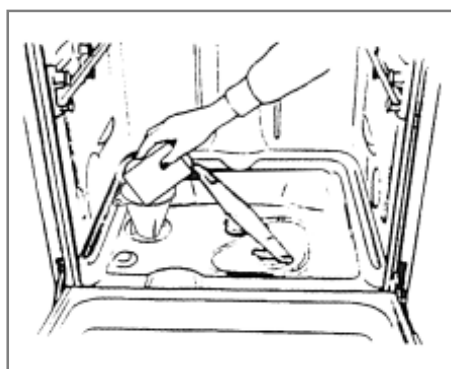
De hardheidsgraad van het water varieert van plaats tot plaats. Bij hard water in de vaatwasser vormt zich een aanslag op de borden en het keukengerei.

De machine is voorzien van een speciale waterontharder die zout gebruikt specifiek bestemd om kalk en mineralen in het water te elimineren.

Zout aanbrengen

Altijd zout gebruiken specifiek bestemd voor vaatwassers. Het zoutreservoir zit onder de onderkorf en moet als volgt worden gevuld:

- De onderkorf verwijderen en vervolgens de dop van het zoutreservoir losdraaien en verwijderen;
- Wanneer het reservoir voor het eerst wordt gevuld, eerst vullen met water;
- Plaats het uiteinde van de trechter (bijgeleverd) in de opening en breng 2 kg zout aan. Het is normaal dat een kleine hoeveelheid water uit het zoutreservoir komt.
- De dop voorzichtig weer aandraaien.

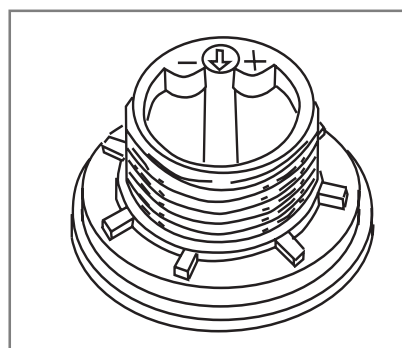


Het zout bijvullen wanneer het "zoutniveau laag" controlelampje (op het bedieningspaneel) aan gaat.

Om roestvorming te voorkomen, het zout pas aanbrengen net voor de aanvang van een wasprogramma.

Zoutverbruik aanpassen

Het zoutverbruik van de vaatwasser kan worden aangepast aan de hardheid van het water. Dit is voorzien om het zoutverbruikniveau te optimaliseren en aan te passen tot minimaal gebruik. Uw waterleidingbedrijf kan informatie verstrekken over de hardheidsgraad van het water in uw regio. Het zoutverbruik kan als volgt worden aangepast:



- Draai het deksel van de zoutcontainer open;
- Er is een ring op de container met een pijl er op (zie illustratie op de zijkant);
- Als het nodig is moet u volgens de hardheid van het gebruikte water de ring tegen de klok in draaien van "-" naar "+".

Wij raden u aan om volgens onderstaand schema het gebruik van het zout te reguleren:

Hardheid van het water.						
H e t niveau	°fH	°dH	mmol/l	Ke u z e positie.	Zout-ge-bruik. (gram./ciclo)	Autonomie (cycles/2kg)
1	0 ÷ 14	0 ÷ 17	0 ÷ 1,7	/	0	/
2	14 ÷ 36	18 ÷ 44	1,8 ÷ 4,4	"-"	20	60
3	36 ÷ 71	45 ÷ 89	4,5 ÷ 8,9	MED	40	40
4	>71	>89	>8,9	"+"	60	25

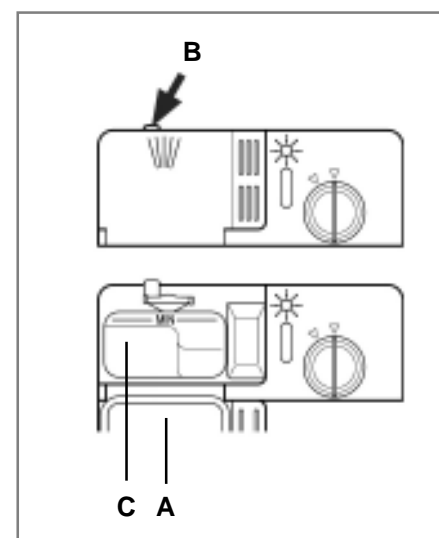
Zeep

Men moet zeep gebruiken specifiek bestemd voor vaatwassers. De dispenser telkens voor de aanvang van het wasprogramma vullen overeenkomstig de aanwijzingen in de "Wasprogramma Tabel." De dispenser zit aan de binnenzijde van de deur.

Zeep aanbrengen

Druk op knop "B" om klep "A" op de dispenser te openen. Giet de zeep voor het wasprogramma in het vakje "C".

Nadat de zeep is aangebracht, de klep sluiten en aandrukken tot deze vastklikt.



Let op: Om de klep gemakkelijk te kunnen sluiten, eventueel teveel aan zeep van de randen van de dispenser verwijderen.

Glansspoelmiddel

Dit product zorgt er voor dat het vaatwerk glanst en zonder vlekken droogt. De dispenser zit aan de binnenzijde van de deur en moet na 80 wasbeurten worden gevuld (of wanneer het glansspoelmiddel controlelampje aan gaat bij modellen voorzien van deze functie).

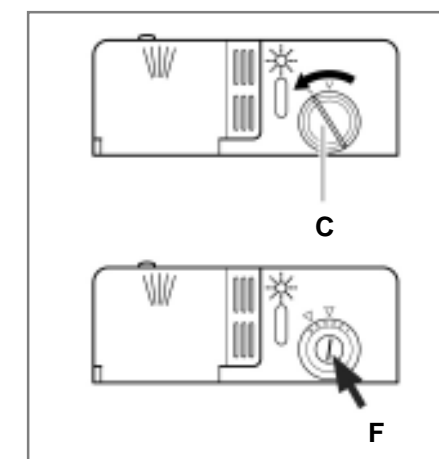
Glansspoelmiddel aanbrengen

Dop "C" tegen de wijzers van de klok in draaien om de dispenser te openen en het glansspoelmiddel aanbrengen zonder de dispenser te ver te vullen. De hoeveelheid glansspoelmiddel die voor elke cyclus wordt gebruikt kan worden geregeld door dosisafstelling "F" onder dop "C" te draaien met een schroevendraaier. Er zijn 6 verschillende instellingen; de standaard dosering is 3.

Belangrijk

Correcte dosering van het glansspoelmiddel bevordert een goede droging. Wanneer er waterdruppels of vlekken achterblijven op het vaatwerk, moet de dosering worden afgesteld op een hogere instelling.

Wanneer de borden witte strepen vertonen, de dosering afstellen op een lagere instelling.



De vaatwasser inruimen

Alvorens de vaat in de vaatwasser te plaatsen, zo veel mogelijk etensresten verwijderen om te voorkomen dat het filter verstopt raakt, waardoor de prestatie afneemt.

Wanneer potten en pannen aangebakken voedsel hebben dat zeer moeilijk te verwijderen is, raden wij aan deze te laten weken alvorens ze in de vaatwasser te plaatsen. Dit zal de noodzaak voor extra wasbeurten elimineren.

Trek de korf uit om de vaatwasser gemakkelijk in te ruimen.

Gebruik van de onderkorf

Wij raden aan moeilijk te reinigen voorwerpen in de onderkorf aan te brengen: potten, pannen, deksels, schalen en kommen, als getoond in nevenstaande afbeelding.

Schalen en deksels bij voorkeur aan de zijkant van de korf aanbrengen om te voorkomen dat de draaiing van de bovenste sproeiarm geblokkeerd wordt.

- Potten, schalen enz. altijd naar beneden gericht aanbrengen.
- Diepe kommen schuin aanbrengen zodat het water er uit kan stromen.
- De onderkorf is voorzien van uitklapbare sectoren (zie Afb.A) voor het plaatsen van grotere of meerdere pannen.
- Het bestekmandje kan worden verdubbeld (zie Afb.B) zodat slechts één gedeelte wordt gebruikt wanneer er weinig bestek is. Dit geeft extra ruimte voor potten en pannen. Het bestekmandje kan tevens in de bovenkorf worden aangebracht.
- Bestek in het bestekmandje aanbrengen met de handgrepen naar beneden; wanneer de korf zijmandjes heeft, de lepels individueel aanbrengen in de desbetreffende uitsparingen. Met name lang keukengerei horizontaal aanbrengen aan de voorzijde van de bovenkorf.

Gebruik van de bovenkorf

De bovenkorf is bestemd voor breekbaarder en lichter vaatwerk, zoals glazen, koffie- en theekoppen en schotels, alsmede borden, kommetjes en ondiepe pannen (zolang ze niet te vuil zijn).

- Borden en kookgerei zo aanbrengen dat ze niet worden verplaatst door de waterstraal.

Het is mogelijk de hoogte van de korf te regelen door te draaien aan de handgrepen aan de zijkanten van de korf zelf (zie Afb.C). Pas de hogere mand aan het hogere niveau. En dan hebt u meer ruimte om di langere pannen en dienbladen in de bodemmand aan te passen.

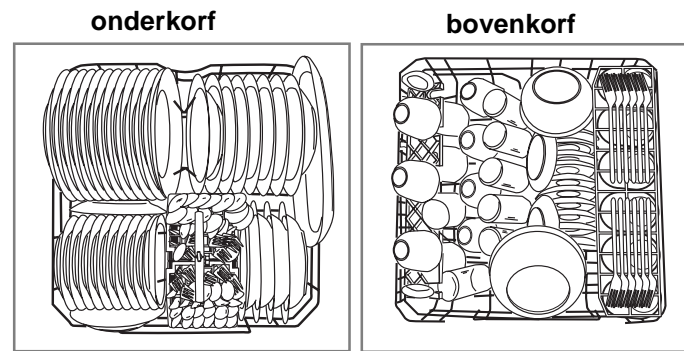
De etagère

Hoge glazen en glazen op een hoge voet niet tegen het servies maar tegen de rand van de etagère laten leunen.

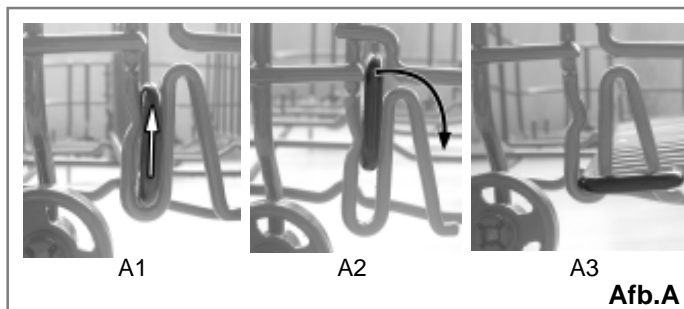
Glazen, kopjes en schoteltjes op de etagère zetten. U kunt de etagère naar wens in- en uitklappen (zie Afb.D).

Messen-etagère

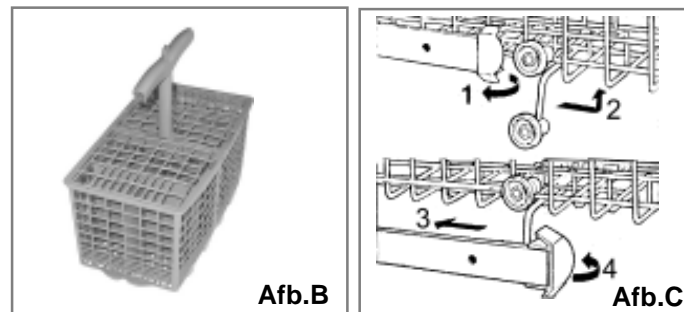
De klemmen van het messenrek die op de kant van de hoogste mand zit, geeft aan u de vrijheid om de grote scherpe messen afzonderlijk te wassen en zonder gevaar (zie Afb.E).



lading voor 12 standaardcouverts

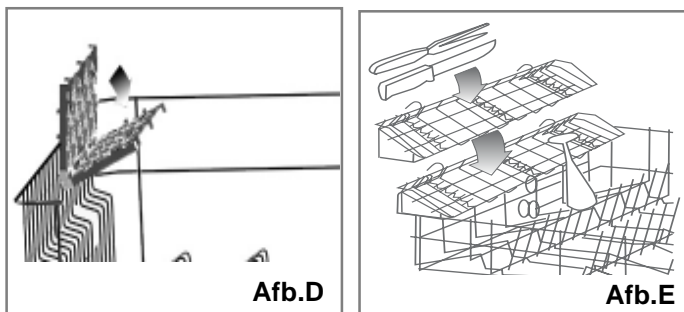


Afb.A



Afb.B

Afb.C



Afb.D

Afb.E

Begin het toestel te gebruiken

Begin een wascyclus

Na de voltooiing van alle installatiestappen in de voorafgaande paragrafen, zet het water aan tot de capaciteit, en dan doe de deur van de afwasmachine gedeeltelijk open, en druk de AAN-UIT- knop "A" op het controle paneel. Het indicatorlicht "B" zal dan lichten. Nu wordt het toestel klaar aangezet om geprogrammeerd te laten worden.

Zet en begin een wascyclus

Kies de gewenste cyclus door het drukken van de knop "G" van de cycluselectie. Elke keer als het gedrukt wordt, zal één van de lichten "F" van de cyclusindicator in antwoord op het aansteken.

Kies de wascyclus die voor het type van de vaat het meest aangewezen is (raadpleeg de lijst van de wascyclus die in dit handboek bevat werd, vooral wanneer u het toestel gebruikt voor de eerste keer).

Doe de deur sluit. En na een paar seconden zal een kort akoestisch signaal klinken, en dat wijst dat de wascyclus begonnen is en niet gewijzigd kan worden. Indien nodig, lees de gerechtigde paragraaf, "Schrap of wijzig de cyclus tijdens de voortgang." Aan het einde van de cyclus zal er een dubbel akoestisch geluid zijn, en het indicatorlicht "F" zal beginnen te knipperen.

Schrap of wijzig de cyclus tijdens de voortgang

Premisse: Een cyclus die vooruitgaat slechts gewijzigd kan worden als een korte tijd voorbijgegaan heeft. Anders kan het reeds gebruikt zijn, en het toestel kan het waswater reeds afgevoerd hebben. Als het er gebeurt, moet de schoonmaakmiddelsautomaat opnieuw gevuld worden. (zie de gerechtigde paragraaf, "Ladenschoonmaakmiddel")

Om de cyclus in uitvoering vooruitgang te veranderen, doe de deur open, druk de knop "G" en houd het in voor ongeveer vijf seconden. Zodra de cyclus geannuleerd is, zal de afwasmachine een kort akoestisch geluid uitzenden en het relatieve indicatorlicht zal uitgezet worden.

Om een nieuwe wascyclus te zetten, volg de instructies in de gerechtigde paragraaf, "Zet en begin een wascyclus".

Als u enkele vaat vergeten te laden hebt...

De wascyclus kan onderbroken worden doordat de deur aandachtig te openen (om bespuitend door heet water te vermijden). Wanneer de deur opnieuw gesloten wordt, zal de cyclus automatisch op het punt opnieuw beginnen waar het stopte.

Aan het eind van de wascyclus...

Het einde van de cyclus zal vermeld worden doordat dubbel akoestisch signaal en het knipperen van het indicatorlicht "F". Doe de deur open, zet het toestel uit door het drukken van de AAN-UIT- knopen draai de watervoorziening tot de capaciteit. Wacht een paar minuten alvorens de vaat te verwijderen vermijden behandelend hen terwijl nog heet (wanneer zij vatbaarder voor breuk zijn) en u krijgt dan betere droogvoortvloeit.

Zet de tijd van de startvertraging

Doe de deur van de afwasmachine gedeeltelijk open. Indien de "J" knopgedrukt wordt (zie de "Het nauwkeurige overzicht - het controle paneel"). De start tijd voor de vaat cyclus kan voor twee, vier of zes uren uitgesteld worden. Elke keer als de knop gedrukt wordt, zal het licht "I" aansteken en dan aanduidt dat de lengte van de vertraging.

Na het selecteren van de vertragingstijd kan de wascyclus geplaatst worden, zoals die in de "Begin een wascyclus..." verklaard wordt. Er zal een kort akoestisch signaal zijn, en dan zal de vertragingperiode beginnen neer te tellen. Tijdens deze periode zal het licht van de vertragingindicator (I) knipperen. Aan het einde van de vertragingstijd zal de indicator ophouden knipperend en de cyclus zal beginnen.

Voorzorgsmaatregelen


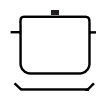





- Tijdens de vertragingperiode kan geen van de montages gewijzigd worden. Indien nodig, kunnen zij door dringende cycluselecteur "G" ongeveer vijf seconden geannuleerd worden.
- Als de electriciteit aan het toestel afgegaan is, of de deur tijdens de vertragingperiode geopend wordt, zal de klok de aftelprocedure tegenhouden. Het zal opnieuw beginnen wanneer de electriciteit teruggekomen is, of wanneer de deur gesloten is.

De knopen van de aanpassing van de cyclus van de vaat

De knop van "1/2 LADING"

Deze knop (zie de "Het nauwkeurige overzicht - het controle paneel", letter "C") maakt het mogelijk om vaat te wassen, met slechts het hogere rek als er niet genoeg vaat voor een volledige lading zijn. Dit bespaart u uw water en elektriciteit. Het kan niet met heel wat vaatcycli gebruikt worden.

Wasprogrammatafel

Wasprogramma	Wasprogrammakeuze Informatie	Beschrijving van Wasprogramma	Zeep	Glanssp-oelmiddel
 Krachtig programma	Zeer vuile borden, schalen en pannen. (niet gebruiken met breekbare voorwerpen)	Voorspoelen met heet water. Uitgebreid wassen op 70°C. Spoelen met koud water. Spoelen met heet water. Drogen.	30g	★
 Normale afwas (IEC-EN50242)	Normaal vuile borden, schalen en pannen. Standaard dagelijks wasprogramma.	Voorspoelen met koud water. Uitgebreid wassen op 55°C. Spoelen met koud water. Spoelen met heet water. Drogen.	30g	★
 Gereduceerde afwas	Normaal vuil vaatwerk en pannen zonder opgedroogde etensresten.	Voorspoelen met koud water. Uitgebreid wassen op 50°C. Spoelen met koud water. Spoelen met heet water. Drogen.	5g+25g	★ (5)
 Glaswerk	Economisch, snel programma te gebruiken voor voorwerpen die gevoelig zijn voor hoge temperaturen. Inschakelen onmiddellijk nadat het vaatwerk is gebruikt.	Wassen op 60°C. Spoeling moet met warm water gebruikt worden. Warme spoeling. Drogen.	15g	★
 Snelle vaat	Economische, snelle cyclus die aan niet zeer vuile schotels moet gebruikt worden nadat ze gebruikt worden. Geen drogende cyclus alstublieft.	Korte was 40°C. Koude spoeling.	15g	
 Weken	Korte, koude voorspoeling om te voorkomen dat etens resten vastdrogen op de borden.	Korte, koude voorspoeling om te voorkomen dat etens resten vastdrogen op de borden.		
 Verwarmen wassen	Vaat die normaal gewassen en gedroogd moet worden	Verwarmen wassen.		★

Tips voor energiebesparing

- Het is belangrijk te trachten de vaatwasser alleen te laten draaien wanneer ze helemaal vol is om stroom te besparen. Om te voorkomen dat geurtjes worden gevormd en eten aan de borden vastdroogt, kunt u het programma Koud voorspoelen gebruiken.
- Kies het juiste wasprogramma: de keuze is afhankelijk van het type vaatwerk en keukengerei dat wordt gewassen en hoe vuil het is.

- Gebruik de juiste hoeveelheid zeep: wanneer te veel zeep wordt gebruikt, zal dit niet resulteren in schonere borden, maar wel een grotere negatieve invloed hebben op het milieu.
- Het heeft geen nut borden, pannen en kookgerei af te spoelen alvorens ze in de vaatwasser te plaatsen.

De zorg voor uw vaatwasser

Na elke wasbeurt

Na elke wasbeurt, de watertoevoer naar het apparaat dichtzetten en de deur iets open laten staan zodat vocht en geurtjes niet worden opgesloten.

Stekker verwijderen

Alvorens reiniging of onderhoud uit te voeren, altijd de stekker uit het stopcontact nemen. Neem nooit risico's.

Geen oplosmiddelen of schurende reinigingsmiddelen

Om de buitenzijde en rubberen onderdelen van de vaatwasser te reinigen, geen oplosmiddelen of schurende reinigingsmiddelen gebruiken. Gebruik een vaatdoekje en een warm sopje.

Om vlekken en dergelijke van het oppervlak van het interieur te verwijderen, een doekje bevochtigd met water en wat witte azijn, of een schoonmaakmiddel specifiek voor vaatwassers gebruiken.

Het apparaat verplaatsen

Wanneer het apparaat moet worden verplaatst, trachten dit in verticale positie te houden. Indien absoluut noodzakelijk, dan kan het apparaat op de achterzijde gelegd worden.

Afdichtingen

Een van de oorzaken dat geuren in de vaatwasser gevormd worden zijn voedselresten die beklemd raken in de afdichtingen. Periodiek reinigen met een spons zal dit voorkomen.

Wanneer u op vakantie gaat

Wanneer u op vakantie gaat, raden wij u aan een wasprogramma te draaien terwijl de vaatwasser leeg is en vervolgens de stekker uit het stopcontact te nemen, de watertoevoer dicht te zetten en de deur op een kiertje te laten. Hierdoor zullen de afdichtingen langer mee gaan en worden er geen nare geuren gevormd in de vaatwasser.

Reiniging en speciaal onderhoud

Filterassemblage

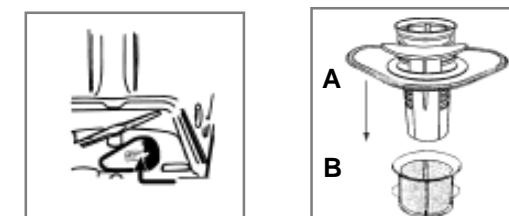
Voor de beste prestatie en resultaat, moet de filterassemblage worden gereinigd.

De filter verwijdert efficiënt etensresten uit het waswater, zodat het water tijdens het wasprogramma gerecirculeerd kan worden. Het is om deze reden dan ook aan te raden om grotere etensresten die in de filter vastzitten na elke wasbeurt te verwijderen door de halfronde filter en beker (A) onder stromend water af te spoelen. Om de filterassemblage te verwijderen, de handgreep omhoog trekken. De complete filterassemblage (bestaande uit de halfronde filter (A) en fijnmazige filter (B)) minstens eenmaal per maand reinigen. De filter en fijnmazige filter met een borstel reinigen. Vervolgens de filter weer in elkaar zetten als getoond in de onderstaande afbeeldingen en de volledige assemblage weer in de vaatwasser aanbrengen en goed naar beneden aandrukken.

De vaatwasser nooit zonder de filters gebruiken. Het onjuist aanbrengen van de filters kan de prestatie van de vaatwasser verminderen en vaatwerk en keukengerei beschadigen.

De sproeiarmen reinigen

Het kan voorkomen dat etensresten vast komen te zitten op de sproeiarmen en daardoor de openingen blokkeren (zie "Detailopname [binnenzijde]", letters D-F). De sproeiarmen periodiek nakijken en indien nodig reinigen.



Het schoonmaken van de filter van de waterinham

Gelieve te maken periodiek de filter van de waterinham die op de afzet van de watervoorzieningskraan gevestigd wordt schoon. Schroef het einde van de watervoorzienings slang los na het uitzetten van de waterkraan. Verwijder de filter en maak het zorgvuldig onder lopend water schoon. Dan komt de filter op zijn plaats terug, en haalt u de watervoorzienings slang terug aan.

Problemen oplossen

Het kan voorkomen dat de vaatwasser niet werkt of niet goed werkt. Kijk eerst wat er gedaan kan worden, alvorens hulp in te roepen: werd een van de knoppen niet ingedrukt om een noodzakelijke werking uit te voeren?

de vaatwasser start niet

Controleer of:

- de stekker goed in het stopcontact zit;
- er stroom is;
- de deur van de vaatwasser goed gesloten is;
- de knop ON-OFF op "ON" staat;
- de watertoevoer open staat.

De vaatwasser neemt geen water op

Controleer of:

- het water open staat en de slang goed is aangesloten;
- er watertoevoer naar de woning is en het water genoeg druk heeft;
- de watertoevoerslang geknikt of gebogen is;
- de filter voor de watertoevoerslang geblokkeerd is.

Het vaatwerk is niet schoon

Controleer of:

- het water open staat en de slang goed is aangesloten;
- er watertoevoer naar de woning is en het water genoeg druk heeft;
- de watertoevoerslang geknikt of gebogen is;
- de filter voor de watertoevoerslang geblokkeerd is.

De vaatwasser voert het water niet af

Controleer of:

- de afvoerslang geknikt of gebogen is.

Er is een kalkaanslag of witte film op het vaatwerk

Controleer of:

- het deksel van het zoutreservoir goed dicht zit;
- de dosering van het glansspoelmiddel correct is.

Foutmeldingen

De afwasmachine heeft een veiligheidssysteem dat werkende problemen en defecten kan ontdekken. Deze defecten worden gesignaleerd door snelle van één van het "F" programma LEDen te knipperen. Slechts wanneer het indicatorlicht voor cyclus (zie lijst voor cycli) knipoogjes snel doorweekt, zou u de cyclus moeten annuleren zoals die in de gerechtigde sectie beschreven wordt, "Schrap of wijzig de cyclus tijdens de voortgang." Dan zorg ervoor dat er water in de leidingen is en de kraan aangezet wordt. Als het bericht verdergaat, vraag technische bijstand, die op welk bericht wijst verscheen.

Als een andere indicatorlichten begint snel te knipperen, zet het toestel uit en vraag technische bijstand, die op welk licht wijst begon te knipperen.


Wanneer ondanks deze controles de vaatwasser nog steeds niet werkt en/of het probleem aanhoudt, neem dan contact op met het dichtstbijzijnde erkende servicecentrum en verstrek de volgende informatie:

Controleer of:

- het deksel van het zoutreservoir goed dicht zit;
- de dosering van het glansspoelmiddel correct is.

Neem nooit contact op met niet erkende onderhoudstechnici en weiger reparatie met niet originele onderdelen.



Het symbool  op het product of op de verpakking wijst erop dat dit product niet als huishoudafval mag worden behandeld. Het moet echter naar een plaats worden gebracht waar elektrische en elektronische apparatuur wordt gerecycled. Als u ervoor zorgt dat dit product op de correcte manier wordt verwijderd, voorkomt u mogelijk voor mens en milieu negatieve gevolgen die zich zouden kunnen voordoen in geval van verkeerde afvalbehandeling.

Voor meer details in verband met het recyclen van dit product, neemt u het best contact op met de gemeentelijke instanties, het bedrijf of de dienst belast met de verwijdering van huishoudafval of de winkel waar u het product hebt gekocht.

Installatie

De vaatwasser plaatsen

Plaats de vaatwasser in de gewenste positie. De achterzijde moet tegen de wand rusten, en de zijanten langs de nevenliggende kasten of wand. De vaatwasser is voorzien van watertoevoer- en -afvoerslangen die links of rechts kunnen worden aangebracht om correcte installatie te vergemakkelijken.

De vaatwasser waterpas stellen

Zodra de vaatwasser in positie staat, de voetjes afstellen (door ze in of uit te draaien) tot de vaatwasser waterpas staat. In alle gevallen, mag het apparaat niet meer dan 2°, hellen. Wanneer de vaatwasser waterpas staat, zal dit bijdragen aan een correcte prestatie.

Koud water aansluiting

De koud water aanvoerslang aansluiten op een 3/4 (gas) aansluiting met schroefdraad en stevig in positie vastdraaien (zie Afb.2).

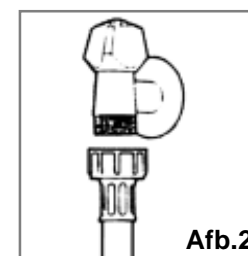
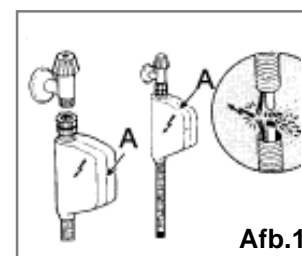
Wanneer de waterleidingen nieuw zijn of lange tijd niet gebruikt zijn, laat het water dan een tijdje lopen om er zeker van te zijn dat het water goed stroomt en vrij is van onzuiverheden. Wanneer deze voorzorgsmaatregel niet genomen wordt, is er kans dat de waterinlaat geblokkeerd raakt en dat het apparaat beschadigd wordt.

Warm water aansluiting

De watertoevoer naar het apparaat kan tevens worden aangesloten op de warm waterleiding van de woning (centraal systeem, verwarmingssysteem), zolang dit niet warmer is dan 60°C.

In dat geval wordt de programmatijd met zo'n 15 minuten ingekort en de doelmatigheid neemt enigszins af.

De aansluiting naar de warm waterleiding uitvoeren op dezelfde wijze als de aansluiting op de koud water leiding.



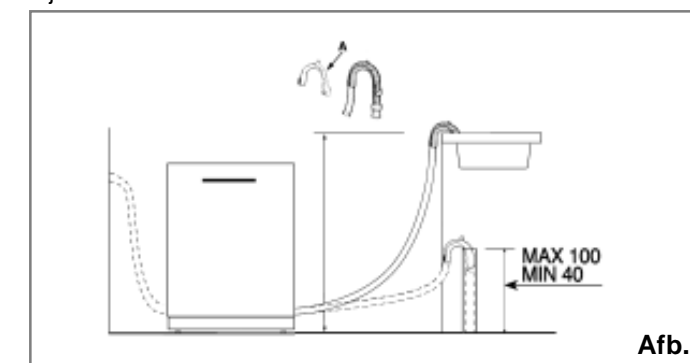
Aqua-stop beveiliging

De vaatwasser is voorzien van een systeem waar, bij een probleem met de watertoevoerslang of een lek in het apparaat, de watertoevoer automatisch wordt afgesloten om een overstroming te voorkomen. Indien om wat voor reden dan ook de kast met de elektrische onderdelen beschadigd raakt, de stekker onmiddellijk uit het stopcontact nemen. Om er voor te

zorgen dat de overloopbeveiliging correct werkt, kast "A" met de watertoevoerslang op de watertoevoerkraan aansluiten als getoond in Afb.1. Geen enkele andere aansluiting is aanvaardbaar. De watertoevoerslang in geen enkel geval doorsnijden aangezien deze elektrische onderdelen bevat die onder stroom staan. Wanneer de slang niet lang genoeg is voor een correcte aansluiting, de slang vervangen met een slang die lang genoeg is. Deze slang is op aanvraag verkrijgbaar bij gespecialiseerde detailhandelaren en servicecentra.

Afvoerslang aansluiting

Breng de afvoerslang in een afvoerbuiskast aan met een minimum doorsnee van 4cm, of laat het in de gootsteen lopen, waarbij men er voor moet zorgen dat de slang niet gebogen of geknikt wordt. Gebruik de speciale kunststof steun die meegeleverd wordt (zie Afb.3). Het vrije uiteinde van de slang moet op een hoogte tussen 40 en 100 cm zijn en mag niet in water ondergedompeld zijn.



Opgelet:

De speciale kunststof steun moet stevig worden bevestigd aan de muur om te voorkomen dat de afvoerslang kan bewegen en water uit de afvoer komt.

Elektrische aansluiting

Controleer dat de spannings- en frequentiewaarden van uw woning overeenkomen met de waarden op het typeplaatje (gesitueerd op het rvs binnengedeelte van de deur van het apparaat) en dat het elektrische systeem geschikt is voor de maximum spanning op het typeplaatje, steek de stekker in een goed geaard stopcontact (de aarding van het apparaat is een wettelijk veiligheidsvoorschrift).

Wanneer het stopcontact waarop het apparaat wordt aangesloten niet geschikt is voor de stekker, vervang dan de stekker in plaats van adaptors of dergelijke te gebruiken aangezien deze kunnen oververhit kunnen raken en vlam vatten.

Voorzichtigheden:

De afwasmachinestop moet toegankelijk zijn zelfs wanneer het toestel als ingebouwde eenheid geïnstalleerd wordt, zodat het onderhoud kan veilig gedaan worden.

Free Manuals Download Website

<http://myh66.com>

<http://usermanuals.us>

<http://www.somanuals.com>

<http://www.4manuals.cc>

<http://www.manual-lib.com>

<http://www.404manual.com>

<http://www.luxmanual.com>

<http://aubethermostatmanual.com>

Golf course search by state

<http://golfingnear.com>

Email search by domain

<http://emailbydomain.com>

Auto manuals search

<http://auto.somanuals.com>

TV manuals search

<http://tv.somanuals.com>