

**Thermoelectric Wine Cellar**

**Travail Thermoélectrique**

**Termoeléctrico Encimera**



**User Manual**

**Model # HVDW20ABB -01**

**Guide de l'Utilisateur**

**Modèle # HVDW20ABB -01**

**Manual del Usuario**

**Para Modelo de # HVDW20ABB -01**

**Haier®**

Quality • Innovation • Style

# SAFETY PRECAUTIONS

**When using this appliance, always exercise basic safety precautions, including the following:**

1. Read all of the instructions before using this appliance.
2. This wine cellar must be properly installed in accordance with the installation instructions before it is used. See grounding instructions in the installation section.
3. Never unplug your wine cellar by pulling on the power cord. Always grasp the plug firmly and pull straight out from the outlet.
4. Repair or replace immediately, all electric service cords that have become frayed or otherwise damaged. Do not use a cord that shows cracks or abrasion damage along its length, the plug or the connector end.
5. Unplug your wine cellar before cleaning or before making any repairs. Note: If for any reason this product requires service, we strongly recommend that a certified technician performs the service.
6. If your wine cellar is not being used, we recommend that you remove the door and leave the shelves in place. This will reduce the possibility of danger to children.
7. This wine cellar should not be recessed or built-in an enclosed cabinet. It is designed for freestanding installation only.
- 8) Do not operate your wine cellar in the presence of explosive fumes.
- 9) Do not store foods in wine cellar as interior temperature may not be cool enough to prevent spoilage.

## SAVE THESE INSTRUCTIONS

### HOUSEHOLD USE ONLY

# DANGER

**Risk of child entrapment. Before you throw away your old appliance, take off the doors. Leave the shelves in place so that children may not easily climb inside.**

## TABLE OF CONTENTS

	PAGE
<b>SAFETY PRECAUTIONS</b> .....	1
<b>PARTS AND FEATURES</b> .....	3
<b>INSTALLING YOUR WINE CELLAR</b> .....	4-5
Unpacking your wine cellar .....	4
Proper Air Circulation .....	4
Electrical Requirements .....	5
Use of extension cords .....	5
Install Limitations .....	5
Door Alignment .....	5
<b>WINE CELLAR FEATURES AND USE</b> .....	6
Temperature Adjustments .....	6
Thermoelectric Cooling .....	7
Shelving .....	7
<b>PROPER WINE CELLAR CARE AND CLEANING</b> .....	8
Cleaning and Maintenance .....	8
Power interruptions .....	8
Vacation & moving care .....	8
<b>TROUBLESHOOTING</b> .....	9
<b>WARRANTY</b> .....	10

Thank you for using our Haier product. This easy-to-use manual will guide you in getting the best use of your wine cellar.

Remember to record the model and serial number. They are on a label in back of the wine cellar.

Model number

---

Serial number

---

Date of purchase

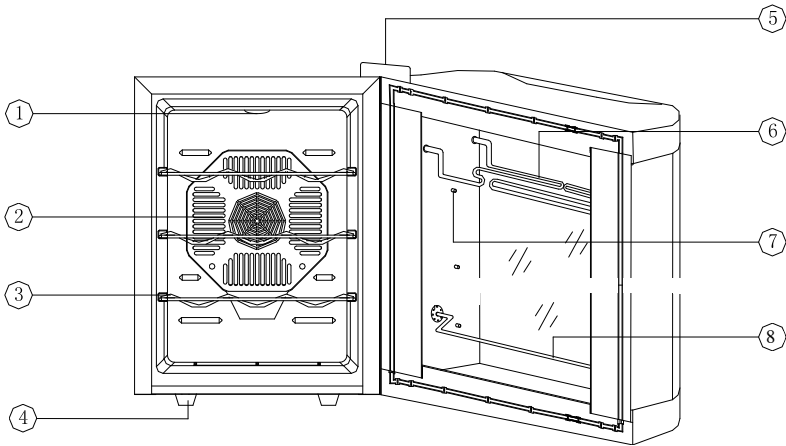
---

Staple your receipt to your manual.

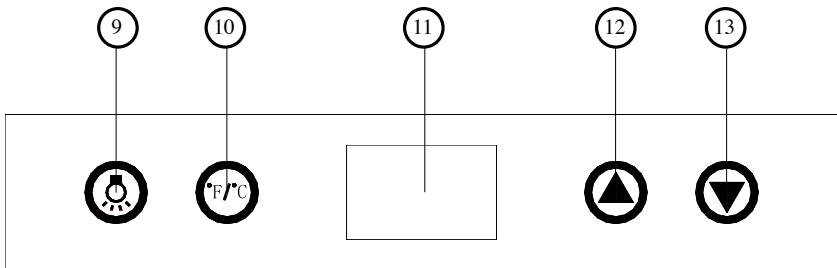
**You will need it to obtain warranty service.**

## PARTS AND FEATURES

HVDW20ABB -01



- |                          |                             |
|--------------------------|-----------------------------|
| 1. Light                 | 6. Glass Holder             |
| 2. Fan Cover             | 7. LED Lights (3 each side) |
| 3. Removable Shelves (3) | 8. Wire Bottle Holder       |
| 4. Leveling Legs         |                             |
| 5. Hinge Cover           |                             |



- |                  |                   |
|------------------|-------------------|
| 9. Light ON/OFF  | 12. Set Temp Up   |
| 10. C°/F° Button | 13. Set Temp Down |
| 11. LCD Display  |                   |

## INSTALLING YOUR WINE CELLAR

### Unpacking Your Wine Cellar

1. Remove all packaging material. This includes the base and all adhesive tape holding the wine cellar accessories inside and outside.
2. Inspect and remove any remains of packing, tape or printed materials before powering on the wine cellar.

### Proper Air Circulation

- To assure your wine cellar works at the maximum efficiency it was designed for, you should install it in a location where there is proper air circulation and electrical connections.
- The following are recommended clearances around the wine cellar
  - Sides ..... 2" (50mm)
  - Top ..... 4" (100mm)
  - Back..... 2" (50mm)
- Do not over fill your wine cellar for proper internal air circulation.

**NOTE: Allow enough space in the front of the unit to open the door to 120°.**

## Grounding Instructions

- Make sure there is a suitable power outlet (115V~60Hz 15A) with proper grounding to power the wine cellar.
- Avoid the use of three plug adapters or cutting off the third grounding pin in order to accommodate a two plug outlet. This is a dangerous practice since it provides no effective grounding for the wine cellar and may result in shock hazard.

## Use of Extension Cords

- Avoid the use of an extension cord because of potential safety hazards under certain conditions. If it is necessary to use an extension cord, use only a 3-wire extension cord that has a 3-blade grounding plug and a 3-slot outlet that will accept the plug. The marked rating of the extension cord must be equal to or greater than the electrical rating of the appliance.

## Installation Limitations

- Do not install your wine cellar in any location not properly insulated or heated e.g. garage etc.
- Select a suitable location for the wine cellar on a hard even surface away from direct sunlight or heat source e.g. radiators, baseboard heaters, cooking appliances etc. Any surface unevenness should be corrected with the leveling legs located on the front and rear bottom corners of the wine cellar. Avoid placing unit where there may be electrical interference.
- Your wine cellar is designed for **free-standing installation only**. It is not designed for built-in application.

**NOTE: To minimize the risk of rusting, leakage and insulation damage, avoid placing the unit in a place where heavy moisture is present. Under no circumstances spill or directly apply water onto or into the unit.**

## WINE CELLAR FEATURES & USE

Plug in the wine cellar to power the unit on.

You can set the temperature of your wine cellar at any setting you desire. The temperature will range from 46° to 64°. When initially turned on, the LED will show the ambient. The LED will then display the internal temperature.

NOTE: The wine cellar control panel has an auto-lock feature to prevent children from changing the temperature. The temperature control will automatically lock after 60 seconds. To unlock the temperature control, press the (▲) and (▼) at the same time until you hear a beep.



NOTE: White wine temperature is cooler than red wine temperature.

By pressing the (▲) temperature button on the display you can increase the temperature and pressing the (▼) temperature button will lower the temperature.

Your wine cellar also has a light for your viewing pleasure. A light switch on the control panel will activate the cabinet light and front door LEDs manually. Under normal operation it is best for the light to remain off.

Please note that the actual cabinet temperature in a thermoelectric unit is dependent on the ambient temperature. You may set the cabinet temperature within range but the unit may not reach the preset temperature.

Press the F°/C° button to toggle between Celsius and Fahrenheit temperature readings.

For this model, when the ambient temperature is 77°, the lowest temperature that can be reached is 50-52°. When ambient temperature is 73°, the cabinet temperature can reach approximately 46-48°.

NOTE: The display temperature is from 46°-64°. When the cooler is installed, if the ambient temperature is higher than 64° or lower than 46°, the display will show "L" until the cabinet has cooled down to 64° or warmed up to 46°. When the wine cooler is started, the temperature display will show the ambient temperature.

When the ambient temperature is below the pre-set temperature, the cellar will not operate until the ambient temperature increase to higher than the pre-set temperature.

### **Thermoelectric Cooling:**

- Thermoelectric (also referred to as semiconductor) wine cellars do not use a compressor and therefore create minimal noise and vibration. Besides being extremely quiet, the lack of vibration will prevent bubbles from forming in stored wine. In addition thermal electric units offer high reliability and low maintenance while precisely maintaining the preset temperature for storing wine. Thermal electric technology is environmentally friendly, as no CFC, HCFC, or HCF-type refrigerants are involved in the cooling process.

### **Shelving:**

- The shelves are chrome plated for appearance and easy cleaning.



## PROPER WINE CELLAR CARE AND CLEANING

### Cleaning and Maintenance

**Warning:** To avoid electric shock always unplug your wine cellar before cleaning. Ignoring this warning may result in death or injury.

**Caution:** Before using cleaning products, always read and follow manufacturer's instructions and warnings to avoid personal injury or product damage.

**General:**

- If water has collected in the drip tray from the back of the unit, discard the water and reinsert the drip tray into the holder.
- Prepare a cleaning solution of 3-4 tablespoons of baking soda mixed with warm water. Use sponge or soft cloth, dampened with the cleaning solution, to wipe down your wine cellar.
- Rinse with clean warm water and dry with a soft cloth.
- Do not use harsh chemicals, abrasives, ammonia, chlorine bleach, concentrated detergents, solvents or metal scouring pads. SOME of these chemicals may dissolve, damage and/or discolor your wine cellar.

### Power Interruptions

- Occasionally there may be power interruptions due to thunderstorms or other causes. Remove the power cord from AC outlet when a power outage occurs. When power has been restored, replug power cord to AC outlet.

### Vacation and Moving Care

- For long vacations or absences, unplug the unit, empty contents from wine cellar, and clean the wine cellar and door gaskets according to "General cleaning" section. Prop doors open, so air can circulate inside. When moving always move the wine cellar vertically. Do not move the unit lying on its side.

## TROUBLESHOOTING

### **Wine Cellar does not operate**

- Check if wine cellar is plugged in.
- Check if there is power at the AC outlet, by checking the circuit breaker.

### **Wine appears too warm**

- Frequent door openings.
- Allow time for recently added wine to reach desired temperature.
- Check gaskets for proper seal.
- Adjust temperature control to colder setting.

### **Wine temperature is too cold**

- If temperature control setting is too cold, adjust to a warmer setting.

### **Moisture build up on interior or exterior of the wine cellar:**

- This is normal during high humidity periods.
- Prolonged or frequent door openings.
- Check door gaskets for proper seal.

### **Wine Cellar door does not shut properly:**

- Level the wine cellar.
- Check for blockages e.g. wine bottles, shelves.

## LIMITED WARRANTY

### What is covered and for how long?

This warranty covers all defects in workmanship or materials for a period of:

**12 months labor (carry-in)  
12 months parts**

The warranty commences on the date the item was purchased and the original purchase receipt must be presented to the authorized service center before warranty repairs are rendered.

### EXCEPTIONS: Commercial or Rental Use warranty

**90 days labor (carry-in only)**

**90 days parts**

**No other warranty applies**

### What is covered.

1. The mechanical and electrical parts, which serve as a functional, purpose of this appliance for a period of 12 months. This includes all parts except finish, and trim.

### What will be done?

1. We will repair or replace, at our discretion any mechanical or electrical part which proves to be defective in normal usage during the warranty period so specified.
2. There will be no charge to the purchaser for parts and labor on any covered items during the initial 12 month period.
3. Contact your nearest authorized service center. For the name of the nearest service center please call 1-877-337-3639.

### THIS WARRANTY COVERS APPLIANCES WITHIN THE CONTINENTAL UNITED STATES, PUERTO RICO AND CANADA. IT DOES NOT COVER THE FOLLOWING:

Damages from improper installation.

Damages in shipping.

Defects other than manufacturing.

Damage from misuse, abuse, accident, alteration, lack of proper care and maintenance or incorrect current or voltage.

Damage from other than household use.

Damage from service by other than an authorized dealer or service center.

Decorative trims or replaceable light bulbs.

Transportation and shipping.

Labor (after the initial 12 months).

THIS LIMITED WARRANTY IS GIVEN IN LIEU OF ALL OTHER WARRANTIES, EXPRESSED OR, INCLUDING THE WARRANTIES OF MERCHANTABILITY AND FITNESS FOR A PARTICULAR PURPOSE

The remedy provided in this warranty is exclusive and is granted in lieu of all other remedies.

This warranty does not cover incidental or consequential damages, so the above limitations may not apply to you. Some States do not allow limitations on how long an implied warranty lasts, so the above limitations may not apply to you.

This warranty gives you specific legal rights, and you may have other rights, which vary, from state to state.

Haier America  
New York, NY 10018

# INSTRUCCIONES PRECAUTORIAS

**Lea todas las instrucciones antes de utilizar este aparato. Cuando utilice este aparato, siempre ejerza las precauciones de seguridad básicas, incluyendo las siguientes:**

1. Use este enfriador de vino solamente para el propósito que fue creado como se describe en esta guía de usos y cuidados.
2. Este enfriador de vino debe de ser instalado apropiadamente de acuerdo con las instrucciones de instalación antes de ser usado. Vea las instrucciones de conexión a tierra en la sección de instalación.
3. Nunca desconecte el enfriador de vino jalando del cordón. Siempre sujete la clavija firmemente y júlela hacia fuera del tomacorriente.
4. Repare o reemplace inmediatamente todos los cables eléctricos que se hayan quemado o dañado. No utilice un cable que muestre grietas a abrasiones a lo largo del mismo o en la clavija o el conector.
5. Desconecte el enfriador de vino antes de limpiarlo o del mantenimiento general. Nota: No intente repararlo usted mismo. Llame a un agente calificado para cualquier reparación.
6. Si usted está reemplazando un enfriador de vino antiguo, retire las puertas del mismo antes de guardarlo o desecharlo, y deje los estantes en lugar. Esto reducirá la posibilidad de peligro a los niños.
7. Este enfriador de vino no debe ser empotrado o colocarse dentro de un hueco; está diseñado para su instalación libre solamente (por favor vea la sección de instalación para mayor información).
8. No opere el enfriador de vino en la presencia de humos explosivos.
9. No guarde comida en el enfriador de vino, ya que la temperatura dentro del mismo puede no ser lo suficientemente fría para prevenir la descomposición de la comida.

## CONSERVE ESTAS INSTRUCCIONES

### USO DOMESTICO SOLAMENTE

# PELIGRO

**Existe el riesgo de que los niños puedan quedar atrapados dentro. Antes de tirar su enfriador de vino, quite las puertas. Deje los anaqueles en su lugar para que los niños no puedan entrar fácilmente en el interior."**

Gracias por utilizar nuestro producto Haier. Este sencillo manual le orientará con respecto al mejor uso que puede darle a su enfriador de vino.

Recuerde tomar nota del modelo y número de serie. Ambos se encuentran impresos en una etiqueta en la parte posterior del enfriador de vino.

Numero de Modelo \_\_\_\_\_

Numero de Serie \_\_\_\_\_

Fecha de Compra \_\_\_\_\_

Agrafer le ticket de caisse au guide.

**Il devra être présenté pour tout service après-vente sous garantie.**

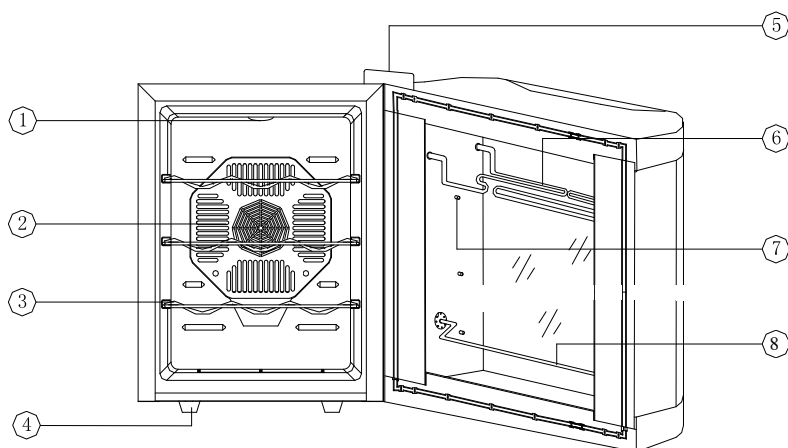
# INDICE

PAGE

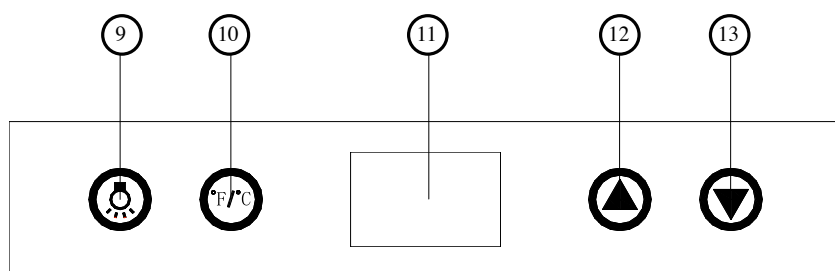
<b>INSTRUCCIONES PRECAUTORIAS</b> .....	1
<b>PIEZAS Y CARACTERISTICAS</b> .....	4
<b>INSTALACION DE SU REFRIGERADOR DEL VINO</b> .....	5-6
Desempaque de su Refrigerador del Vino .....	5
Circulación Apropiaada del Aire .....	5
Requisitos Eléctricos .....	6
El uso de Cuerdas de Extensión .....	6
Las Limitaciones de la instalación .....	6
La Alineación de la puerta .....	6
<b>CARACTERISTICAS Y USO DEL REFRIGERADOR DEL VINO</b> .....	7
Ajustes de la Temperatura .....	7
Enfriamiento Electrotermico .....	8
Estantes .....	8
<b>CUIDADOS Y LIMPIEZA ASECUADA DEL REFRIGERADOR</b> .....	9
Limpieza y Mantenimiento .....	9
Interrupciones de la Corriente Eléctrica .....	9
Vacaciones y Mudanza .....	9
<b>VERIFICACION DE PROBLEMAS</b> .....	10
<b>INFORMACION DE GARANTIA</b> .....	11

## PIEZAS Y CARACTERÍSTICAS

HVDW20ABB -01



- |                            |                              |
|----------------------------|------------------------------|
| 1. Luz                     | 6. Porta-vaso                |
| 2. Cubierta de ventilador  | 7. Luces LED (3 a cada lado) |
| 3. Estantes extraíbles (3) | 8. Porta-botella de alambre  |
| 4. Patas niveladoras       |                              |
| 5. Cubierta de la bisagra  |                              |



- |                          |   |
|--------------------------|---|
| 9. Luz Encendida/apagada | 12. Configurar temperatura hacia arriba |
| 10. Botón C°/F°          | 13. Configurar temperatura hacia abajo  |
| 11. Pantalla LCD         |   |

## INSTALACION DE SU REFRIGERADOR DEL VINO

### Desempaque de su Refrigerador del Vino

1. Retire todo el material de embalaje. Esto incluye la base de espuma y toda la cinta adhesiva que sostiene los accesorios del refrigerador del vino en el interior y exterior. Deslice y saque la protección de plástico o espuma usada para proteger al compresor de daños durante el envío debido a la vibración y los golpes.
2. Inspeccione y retire cualesquier restos del embalaje, la cinta adhesiva o los materiales impresos antes de encender el refrigerador del vino.

### Circulación Apropriado del Aire

- Para asegurar que su refrigerador del vino funcione con la eficiencia máxima para la que fue diseñado, éste debe ser instalado en un lugar donde haya una circulación de aire adecuada, conexiones eléctricas y de tubería.
- Estas son las distancias recomendadas que deben dejarse alrededor del refrigerador del vino:
 

Lados .....	2" (50mm)
Parte Superior .....	4" (100mm)
Parte Posterior .....	2" (50mm)
- Do not over fill your wine cellar for proper internal air circulation.

**NOTA: Permite suficiente espacio en la frente de la unidad para abrir la puerta a 120°**



## Requisitos Eléctricos

- Asegúrese de que haya un tomacorriente apropiado (115V~60Hz 15A) con una conexión a tierra apropiada para hacer funcionar el refrigerador del vino.
- Evite el uso de adaptadores de tres patas o el cortar la tercer pata de conexión a tierra para poder conectar en un tomacorriente bifásico. Esto sería una práctica muy peligrosa ya que no proveería al refrigerador del vino con una conexión a tierra adecuada y podría resultar un riesgo de descarga eléctrica.

## El uso de Cuerdas de Extensión

- Evite el uso de una cuerda de la extensión a causa de peligros potenciales de seguridad bajo ciertas condiciones. Si es necesario usar una cuerda de la extensión, use sólo una cuerda de 3 alambres de extensión que tiene un de 3 hojas molió tapón y una salida de 3 ranuras que aceptarán el tapón. La calificación marcada de la cuerda de la extensión debe ser igual a o más que la calificación eléctrica del aparato.

## Limitaciones de Instalación

- No instale su refrigerador del vino en ningún lugar que no tenga el aislamiento o la calefacción apropiada, por ejemplo una cochera, etc. Su refrigerador del vino no fue diseñado para funcionar en temperaturas abajo de los 12° Centígrados (55°F).
- Seleccione un lugar adecuado para el refrigerador del vino sobre una superficie sólida y nivelada alejado de los rayos directos del sol o de una fuente de calor como la de los radiadores, rejillas de calefacción, estufas, etc. Cualquier desnivelación del piso debe ser corregido con las patas niveladoras ubicadas en las esquinas inferiores frontales del refrigerador del vino.
- Su refrigerador del vino se diseña para la instalación libre solamente. No se diseña para la aplicación incorporada.

**NOTA: Para aminorar el riesgo de oxidar, el daño de merma y aislamiento, evita colocando la unidad en un lugar donde humedad pesada es presente. Rocíe aplicando directamente o en ningún concepto agua en o en la unidad.**

## USO Y CARACTERISTICAS DEL ENFRIADOR DE VINOS

Enchufe el enfriador de vinos para prender la unidad.

Puede fijar la temperatura del enfriador de vinos en la configuración que desee. La temperatura puede ajustarse de 46° a 64°. Cuando se encienda inicialmente, el indicador luminoso mostrará la temperatura ambiente. El indicador luminoso mostrará luego la temperatura interna.

NOTA: El panel de control del enfriador de vinos tiene una función de auto-bloqueo para evitar que los niños cambien la temperatura. El control de temperatura se auto-bloqueará automáticamente luego de 60 segundos. Para desbloquear el control de temperatura, presione (▲) y (▼) al mismo tiempo hasta que escuche un pitido.



NOTA: La temperatura del vino blanco debe ser inferior a la del vino tinto. Al presionar el botón de la temperatura (▲) en el visor, puede aumentar la temperatura, y al presionar el botón de la temperatura (▼), se baja la temperatura.

Su enfriador de vinos también cuenta con luz para que pueda disfrutar de ver los vinos. Un interruptor de la luz en el panel de control activará la luz del gabinete y las luces LED de la puerta delantera manualmente. Durante el funcionamiento normal, es mejor dejar la luz apagada.

Por favor tenga en cuenta que la temperatura del gabinete en una unidad electrotérmica depende de la temperatura ambiente. Puede establecer la temperatura del gabinete dentro del rango adecuado, pero es probable que la unidad no llegue a la temperatura preconfigurada.

Presione el botón F°/C° para cambiar la lectura de temperatura entre Celsius y Fahrenheit.

Para este modelo, cuando la temperatura ambiente es 77°, la temperatura más baja que puede alcanzar es 50-52°. Cuando la temperatura ambiente es 73°, la temperatura del gabinete puede alcanzar 46-48°.

NOTA: El rango de la temperatura de pantalla es de 46°-64°. Cuando el enfriador se instala, si la temperatura ambiente es más alta que 64° o más baja que 46°, el indicador mostrará "--" hasta que el gabinete se haya enfriado a 64° o calentado a 46°. Cuando se enciende el enfriador de vinos, el indicador de temperatura muestra la temperatura ambiente.

Cuando la temperatura ambiente está por debajo de la temperatura preconfigurada, el enfriador no funcionará hasta que la temperatura ambiente aumente por sobre la temperatura preconfigurada.

## **Enfriamiento Electrotérmico:**

- Los enfriadores de vino electrotérmicos (también denominados semiconductores) no utilizan compresor, y por lo tanto los ruidos y las vibraciones que provocan son mínimos. Además de ser extremadamente silenciosos, la falta de vibración evita que se formen burbujas en el vino almacenado. Las unidades electrotérmicas ofrecen también una alta confiabilidad y bajo mantenimiento, al mismo tiempo que mantienen con precisión la temperatura pre-configurada ideal para conservar el vino. La tecnología electrotérmica protege la ecología, ya que no se utilizan refrigerantes dañinos del tipo CFC, HCFC o HFC en el proceso de enfriamiento.

## **Estantes:**

- Los estantes son cromados para darles una mejor apariencia y para que sea más fácil lavarlos.

## CUIDADOS Y LIMPIEZA ASECUADA DEL REFRIGERADOR DEL VINO

### Limpieza y Mantenimiento

**Advertencia:** Para evitar una descarga eléctrica siempre desenchufe su refrigerador del vino antes de limpiarlo. El ignorar esta advertencia puede causar esiones o la muerte.

**Precaución:** Antes de usar productos de limpieza, siempre lea y siga las instrucciones y advertencias del fabricante para evitar lesiones personales o daños producto.

#### El General:

- Si se ha juntado agua en la bandeja de goteo de la parte posterior de la unidad, descarte el agua y reinserte la bandeja de goteo en el soporte.
- Prepare una solución de limpieza de 3-4 cucharadas de bicarbonato de sodio mezclados con agua tibia. Use una esponja o un trapo suave, humedecidos con la solución de limpieza, para su refrigerador del vino.
- Enjuague con limpia tibia y seque con un trapo suave.
- No use químicos fuertes, abrasivos, amoníaco, cloro, detergentes concentrados, disolventes o estropajos metálicos. ALGUNOS de estos químicos pueden disolver, dañar y/o decolorar su refrigerador del vino.

### Interrupciones de Energía

- Pueden ocurrir ocasionalmente interrupciones de energía debido a tormentas eléctricas u otras causas. Desenchufe el cable eléctrico del tomacorriente de corriente alterna cuando ocurra una interrupción en el sistema eléctrico. Cuando la electricidad haya regresado, vuelva a conectar el cable eléctrico a un tomacorriente de corriente alterna.

### Vacaciones y Mudanza

- Para las vacaciones o las ausencias largas, desenchufe el refrigerador del vino y limpie las juntas del refrigerador y de la puerta del vino según la sección de la "Limpieza General". Mantenga las puertas abiertas para que el aire pueda circular en el interior. Al mudarse, siempre traslade el refrigerador del vino verticalmente. No lo traslade con la unidad colocada horizontalmente. Pudiera ocurrir un posible daño el sistema sellado.

## VERIFICACION DE PROBLEMAS

### **El Refrigerador de Vino no Funciona:**

- Revise que el refrigerador del vino esté conectado.
- Revise que haya corriente eléctrica en el tomacorriente de corriente alterna, revisando el interruptor de circuito.

### **El Vino Aparece Demasiado Caliente:**

- Apertura constante de la puerta.
- Dé un plazo de la hora para el vino recientemente agregado de alcanzar temperatura deseada.
- Revise que los empaques estén bien sellados.
- Limpie el serpentín del condensador.
- Ajuste el control de temperatura al ajuste más frío.

### **El Vino Aparece Demasiado Frío:**

- Si la configuración del control de la temperatura es demasiado fría, ajuste a una configuración más caliente.

### **Acumulación de humedad en el interior o exterior del refrigerador del vino:**

- Esto es normal durante periodos de alta humedad.
- Apertura constante o prolongada de la puerta.
- Revise que los empaques de la puerta estén bien sellados.

### **La puerta del refrigerador del vino no funciona:**

- Nivele el refrigerador del vino.
- Controle para saber si hay obstrucciones tales como botellas y estantes del vino.

## GARANTIA LIMITADO

### ¿Qué está cubierto y por cuánto tiempo?

Esta garantía cubre cualquier defecto en la manufactura o empleo de materiales por un plazo de:

**12 meses de mano de obra**  
**12 meses en componentes**

La garantía comienza en la fecha de compra del artículo, y la factura original de compra debe presentarse al centro de servicio autorizado para poder efectuar cualquier reparación que esté bajo garantía

### **EXCEPCIONES: Garantía por Uso Comercial o Bajo Arrendamiento**

**90 meses en mano de obra**  
**(únicamente en taller)**

**90 días en componentes**

**Ninguna otra garantía es válida**

### ¿Qué está cubierto?

1. Los componentes mecánicos y eléctricos que cumplen con alguna función de este aparato durante un plazo de 12 meses. Esto incluye cualquier componente con excepción de acabados y molduras.

### ¿Qué se hará?

1. Repararemos o reemplazaremos, a discreción nuestra, cualquier componente mecánico o eléctrico que se muestre defectuoso por uso normal durante el plazo así especificado.
2. No habrá cargos para el comprador por las partes y la mano de obra en cualesquier artículos cubiertos durante el periodo inicial de 12 meses.
3. Localice su centro de servicio autorizado más cercano. Para conocer el nombre del centro de servicio más próximo a su domicilio, por favor llame al 1-877-337-3639 (Válido solo en E.U.A).

### **ESTA GARANTIA CUBRE APARATOS DENTRO DEL TERRITORIO CONTINENTAL DE LOS ESTADOS UNIDOS, PUERTO RICO Y CANADÁ.**

Daños por instalación inadecuada

Daños por transportación.

Defectos que no sean por manufactura

Daños por negligencia, abuso, accidente, alteración, falta de cuidado adecuado y de mantenimiento, o conexión a tensión eléctrica incorrecta.

Daños que no sean por uso doméstico.

Daños por servicio que no sea proporcionado a través de un distribuidor o centro de servicio autorizado. Molduras decorativas o focos reemplazables.

Envío y transportación.

Mano de obra (después de los primeros 12 meses).

**ESTA GARANTIA LIMITADA ES PROVISTA EN SUSTITUCION A CUALQUIER OTRA GARANTIA EXPRESADA O QUE IMPLIQUE LAS GARANTIAS MERCANTILES SUJETAS A CIERTO PROPOSITO.**

El amparo provisto por esta garantía es de uso exclusivo y se otorga en sustitución a cualquier otro amparo.

Esta garantía no cubre daños incidentales o sus derivados, por lo que las anteriores restricciones pueden serle ajenas. En ciertos estados no se permiten restricciones en lo que se refiere a la duración implícita de una garantía, por lo que las anteriores restricciones pueden serle ajenas.

Esta garantía le otorga ciertos derechos legales y es posible que usted goce de otros derechos, los cuales varían de estado a estado.

Haier America  
New York, NY 10018



# IMPORTANT

## Do Not Return This Product To The Store

If you have a problem with this product, please contact  
the "Haier Customer Satisfaction Center" at 877.337.3639.

**DATED PROOF OF PURCHASE REQUIRED FOR WARRANTY SERVICE**

# IMPORTANT

## Ne pas Réexpédier ce Produit au Magasin

Pour tout problème concernant ce produit, veuillez contacter le service des  
consommateurs "Haier Customer Satisfaction Center" au 1-877-337-3639.

**UNE PREUVE D'ACHAT DATEE EST REQUISE POUR BENEFICIER DE LA GARANTIE**

# IMPORTANTE

## No regrese este producto a la tienda

Si tiene algún problema con este producto, por favor contacte  
el "Centro de Servicio al Consumidor de Haier" al

1-877-337-3639 (Válido solo en E.U.A).

**NECESITA UNA PRUEBA DE COMPRA FECHADA PARA EL SERVICIO DE LA GARANTIA**

# Haier®

Made in China  
Fabriqué en Chine  
Hecho en China

Haier America  
New York, NY 10018

Printed in China

Part #RF-9999-335

HVDW20ABB-01 101116

©2009 Haier America Trading, LLC. All Rights Reserved.



## Free Manuals Download Website

<http://myh66.com>

<http://usermanuals.us>

<http://www.somanuals.com>

<http://www.4manuals.cc>

<http://www.manual-lib.com>

<http://www.404manual.com>

<http://www.luxmanual.com>

<http://aubethermostatmanual.com>

Golf course search by state

<http://golfingnear.com>

Email search by domain

<http://emailbydomain.com>

Auto manuals search

<http://auto.somanuals.com>

TV manuals search

<http://tv.somanuals.com>