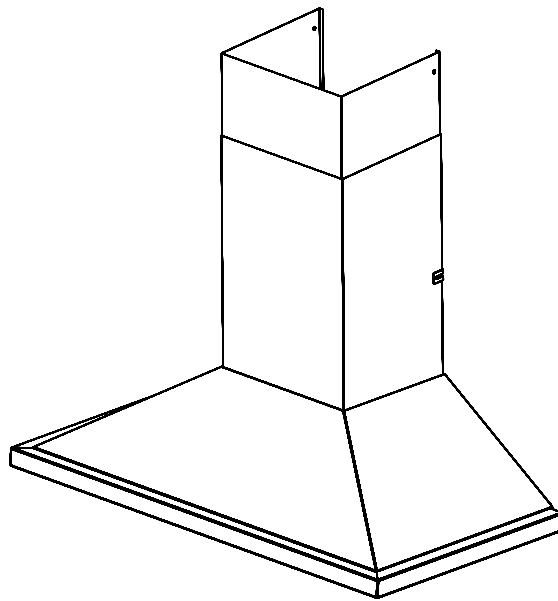


Range Hood

Extractor de Aire

Hotte de Cuisiniere



User Manual Model
HHX7130

Guide de l'Utilisateur
HHX7130

Manual del Usuario Modelo
HHX7130

Haier[®]

Quality ■ Innovation ■ Style

Cod:0103072334

SAFETY PRECAUTIONS

Warning! To reduce the risk of fire, electric shock, or injury to persons, always exercise basic safety precautions, including the following:

1. Read all instructions before using the appliance.
2. Use this appliance only for its intended purpose as described in this user manual.
3. Do not use any accessories not recommended by the manufacturer.
4. This unit must be grounded.
5. Do not use this appliance for commercial uses.
6. Installation work and electrical wiring must be done by qualified technicians in accordance with all applicable codes and standards, including fire-rated construction.
7. Sufficient air is needed for proper exhausting of gases of fuel-burning equipment through the flue (chimney) to prevent back drafting. Follow the heating equipment manufacturer's guidelines and safety standards such as those published by the National Fire Protection Association (NFPA), and the American Society for Heating, Refrigeration and Air Conditioning Engineers (ASHRAE), and local code authorities.
8. When replacing an existing range hood with your new Haier Range Hood, turn OFF the electrical power to the existing unit before removal.
9. Before servicing or cleaning the unit, turn the power OFF at the service panel and if possible, lock the service panel to prevent power from being switched on accidentally. If the service panel cannot be locked, securely fasten a prominent warning device, such as a tag, to the service panel.
10. Do not repair or replace any part of the appliance or attempt any servicing.
Note: If for any reason this product requires service, we strongly recommend that a certified technician perform the service.
11. When cutting or drilling into wall or ceiling, be careful not to damage existing electrical wiring and other hidden utilities.
12. Ducted fans must always be vented to the outdoors.

WARNING – TO REDUCE THE RISK OF RANGE TOP GREASE FIRES:

1. Never leave surface units unattended at high settings. Boilovers cause smoking and greasy spillovers that may ignite. Heat oils slowly on low or medium settings.
2. Always turn the hood ON when cooking at high heat or when flambeing foods (i.e. Crepes, Suzette, Cherries Jubilee. Peppercorn Beef Flambe).

3. Use proper-sized pans that correspond to the size of the stove, and the amount of food being cooked.
4. Clean ventilation fans frequently. Do not allow grease to accumulate on the fan or the filter.

WARNING – TO REDUCE THE RISK TO PERSONS IN THE EVENT OF A RANGE TOP GREASE FIRE, OBSERVE THE FOLLOWING:

1. SMOTHER FLAMES with a close-fitting lid, cookie sheet, or metal tray. Then turn off the burner. BE CAREFUL TO AVOID BURNS. If the flames do not go out immediately, EVACUATE AND CALL THE FIRE DEPARTMENT. (911).
2. NEVER PICK UP A FLAMING PAN. You may be injured.
3. DO NOT USE WATER, including wet dishcloths or towels – a violent steam explosion will result.
4. Use an extinguisher only if:
 - a) You know you have a Class ABC extinguisher, and you already know how to use it.
 - b) The fire is small and contained in the area where it started.

CAUTION!

Important – Observe all governing codes and ordinances.

1. For general ventilation use only. Do not use this appliance to exhaust hazardous or explosive materials and vapors.
2. To reduce the risk of fire, use only metal ductwork.
3. To avoid damage to motor or other components, keep drywall spray, construction dust, etc. off the power unit.
4. Please read specification label on product for further information and requirements.

SAVE THESE INSTRUCTIONS

Thank you for using our Haier product.
This easy-to-use manual will guide
you in getting the best performance from
your Haier Range Hood.

Remember to record the model and
serial number from the label on the unit.

Staple your receipt to your manual.
You will need it to obtain warranty service.

Model number

Serial number

Date of purchase

Table Of Contents

	PAGE
Safety Precautions.....	1-2
Accessories.....	3
Important Safeguards.....	4
Installation Preparation.....	5
Cabinet Preparation for Hoods Support.....	6
Vertical Discharge.....	6
Ductless.....	6
Preparing Electrical Connections.....	6
Wiring Diagrams.....	7
Installing Ductwork.....	7
Hood Installation.....	7-8
Use and Care.....	9
Troubleshooting.....	10
Limited Warranty.....	11

Accessories

Range Hood Accessories Provided:

- 1 Range Hood
- 1 Damper Flap
- 4 Damper Screws
- 4 Range Hood Screws
- 4 Washers
- 2 Wire Connectors
- 2 Aluminum Filter
- 2 Charcoal Inserts
- 1 User Manual
- 1 Warranty Card

Check to make sure that all parts and accessories are present and in good condition. If you find that they are not in good condition or are missing, please contact our customer service department for assistance.

Our Toll-Free number is 1-877-337-3639.

3

Important Safeguards

WARNING Disconnect the range hood from power supply before servicing.

WARNING To reduce the risk of fire or electric shock or injury to persons observe the following:

- a) Use this unit only in the manner intended by the manufacture. If you have questions, contact the manufacture.
- b) Before servicing or cleaning the unit, switch power to off at service panel and lock the service panel to prevent power from being switched on accidentally. When the service panel cannot be locked, securely fasten a prominent warning device, such as a tag, to the service panel.
- c) Installation work and electrical wiring must be done by qualified person(s) in accordance with all applicable codes and standards, including fire-rated construction.
- d) Sufficient air is needed to prevent combustion and exhausting of gases through the flue (chimney) of fuel burning equipment to prevent back drafting. Follow the heating equipment manufacture's guide and safety standards, such as those published by the National Fire Protection Association (NFPA) and the American Society for Heating, Refrigeration and Air Conditioning Engineers (ASHRAE), and the local code authorities.
- e) When cutting or drilling into wall or ceiling, do not damage electrical wiring or other hidden utilities.

CAUTION For general ventilating use only. Do not use to exhaust hazardous or explosive materials or vapors.

CAUTION To reduce the risk of fire, use only metal ductwork.

CAUTION To reduce the risk of fire and to properly exhaust air, be sure to duct air outside. Do not vent exhaust air into spaces within walls or ceilings, or into attics, crawlspaces, or garages.

WARNING To reduce the risk of a range top grease fire:

- a) Never leave surface units unattended at high settings. Boilovers cause smoking and greasy spillovers that may ignite. Heat oils slowly on low or medium settings.
- b) Always turn the hood ON when cooking at high heat or when cooking flaming foods.
- c) Clean ventilating fans frequently. Grease should not be allowed to accumulate on fan or filter.
- d) Always use proper pan size. Always use cookware appropriate for the size of the surface element.

Installation Preparation

To install this range hood, you will need the following tools and materials:

Note: This procedure will require 2 people for easier installation.

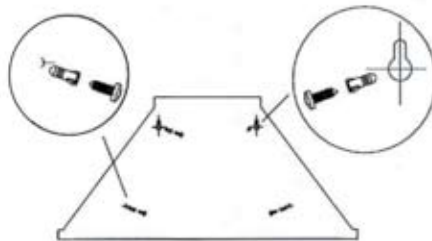
Tools Needed for Installation

- Drill
- 1/8" Drill bit for drilling pilot holes
- 1-1/4" Wood bit for drilling electrical wiring access hole
- 3/8" Nut Driver or Ratchet with Extension
- Phillips head screwdriver
- Flat-head screwdriver
- Pliers
- Pencil, ruler and level for marking range hood location
- Hand saw or jig saw for cutting the wall or cabinet openings
- Duct tape
- Electrical tape
- Connector Clamp

General Preparation

Caution! Please be sure to turn the electrical power switch OFF before beginning the installation.

1. Remove the range hood from the carton.
2. Lay the range hood upside down on a table covered with either cardboard or paper to prevent scratching the hood or table.
3. Remove the 2 grease filters from the hood. Place them somewhere safe so they will not be damaged.
4. Install two 40 Watt light bulbs.
5. Turn the hood right side up so you can see the duct knockouts and mounting holes.



Cabinet Preparation for Hood Support

Mount the hood so that the bottom of the hood is between 24"-30" above the stovetop.

Warning! When cutting or drilling into wall or cabinet, be careful not to cut existing electrical wiring.

1. If the bottom of the cabinet is recessed above the bottom of the cabinet door, then it is necessary to install wood strips on each side of the recessed area on the bottom of the cabinet where the range hood will be mounted. The wood strips should line up with the 4 keyhole slots on the top of the range hood. Fasten the wood strips with wood screws about 3" in from each end.

Note: The thickness of the wood strips should be slightly more than the recessed dimension. The length should be cut to size.

2. Measure and mark the electrical wiring opening in the wall or the cabinet. If the hood is to be vented, also mark and measure the duct opening in the wall or cabinet.

Vertical Discharge – Vertical discharge is the only method of hood installation. If your kitchen has an attic space above, the ducting may be run through the cabinet and the attic to a roof cap. Another option, if your kitchen has a soffit above the cabinet, is to run the duct up into the soffit and then discharge the air horizontally through the outside wall to a wall cap.

Ductless – In ductless installations, air is vented back into the kitchen through the opening in the range hood grille. If you do not anticipate heavy cooking, this method may be preferable. Ductless installation requires the use of a charcoal filters (included) to remove odors, which should be replaced at regular intervals depending on use. Check with your local retailer or dealer for replacements.

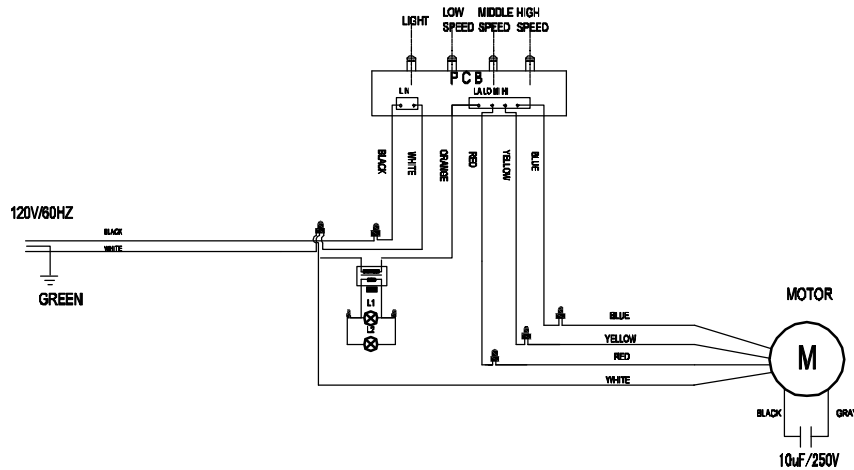
Note: This charcoal filter is not dishwasher safe!

Preparation of Electrical Connections

Note: If replacing an existing hood, the electrical cable may need to be re-routed to the desired position.

1. Determine the location of the electrical cable to connect to the range hood. The preferred location for the electrical connector, vertical or horizontal, will depend on the existing installation or ease of routing wiring. All electrical connections must comply with national and local codes. Transfer the location of the selected range hood knockouts to the bottom of the cabinet or onto the wall, then cut or drill a hole to allow for clearance of the electrical cable clamp. Be careful not to cut into any hidden utilities, such as electrical wires.

Wiring Diagrams



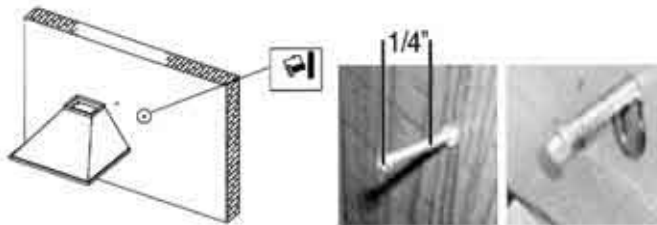
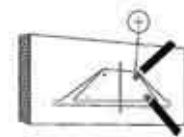
Installing Ductwork

Your new range hood will operate at the highest efficiency if the number of elbow and the length of the duct are kept to a minimum. The back draft damper flap attached to the damper frame assembly, which is supplied with the hood, does not impede airflow significantly. You may leave this in place even if you install a wall or roof cap with another back draft damper.

Hood Installation

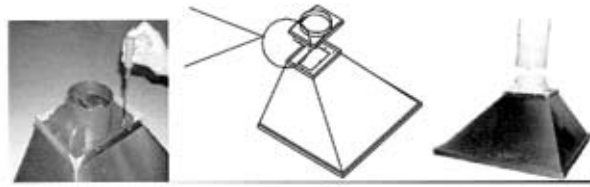
Note: All wiring installation must comply with local and national electrical code regulations.

1. Transfer mounting holes to wall where hood is to be mounted.
2. Lift the hood into position and guide the electrical cable through the electrical cable clamp on the hood.

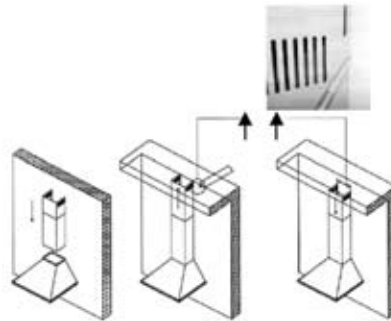


3. Securely fasten the four wood screws.
4. Secure the electrical cable in the cable clamp while allowing sufficient length in the hood to connect the field wires to the hood wires. Attach damper to the top of the hood.

5. Attach the ducting to the hood.



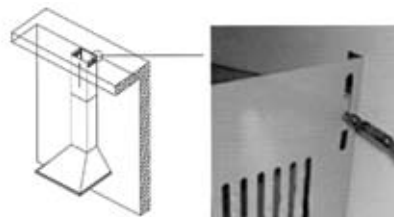
6. Temporarily mount the stainless steel chimney and mark the top.



7. Attach the mounting clamp to the wall with supplied screws.



8. Connect the chimney to the mounting clamp.



Use and Care

Aluminum Filter

For highest efficiency, this filter should be removed and cleaned periodically. Soak the filter in hot water and mild soap or detergent. Rinse thoroughly and repeat if necessary. The aluminum filter may be cleaned in the dishwasher. Heavy grease buildup may not be cleaned easily, thus the filter may need to be replaced.

Charcoal Filter

Inspect this filter periodically. This filter cannot be cleaned and must be replaced when it becomes saturated. Check with your local retailer or dealer to purchase.

Light Bulb

Use only Halogen MR-16 type bulbs. (Not shipped with range hood.)

Exterior Surface

Wipe the range hood exterior with a soft cloth and a mild detergent suitable for painted surfaces. Do NOT use abrasive materials such as steel wool pads or scouring powders.

Repair or Replacement Parts

WARNING! Disconnect range hood from the electrical power supply before servicing. All parts may be obtained from service centers authorized by Haier, or may be ordered directly from Haier. When ordering parts, please specify the range hood model number on the rating label, which is located on the inside of the range hood.

Troubleshooting

Fan does not turn on (but light turns on).

This is probably due to either a defective fan switch or a burned-out fan motor. Both can be replaced without removing the range hood from the wall or cabinet. Use an ohm meter to determine which component is not working. If the ohm meter reads that the fan switch has 0 ohms of resistance, then it is the motor that needs to be replaced. If it reads anything other than zero, then the switch must be replaced.

Fan only runs at one speed.

Please see instructions above for troubleshooting when your fan does not turn on (but light turns on).

Fan circulates air, but does not vent outside.

If air is blowing through the front vent openings, then your range hood has been installed for ductless operation. In order to convert the system to vent outside, a technician must install metal ductwork from the range hood through either an outside wall or the roof.

If air is not blowing from the front vent openings, check inside the cabinet above the range hood. If you see a metal duct leading away from the vent hood, then you have a system that vents to the outdoors. If you do not see a duct, your unit may be venting through the back wall.

Light does not turn on (but fan turns on).

This could be because the bulb has burned out. Try replacing the light bulb. If the light still does not work, either the light switch or the lamp-holder socket is defective. Both can be replaced without removing the range hood from the wall or cabinet.

Night light does not turn on.

Please see above instructions for troubleshooting when the light that does not turn on (but fan turns on).

Range hood does not turn on at all.

Check for a tripped circuit breaker or a blown fuse, since the range hood is wired directly to your household electrical system.

NOTE: All work must be performed by a qualified and licensed technician!

Limited Warranty

This warranty covers all defects in workmanship or materials for:

The mechanical and electrical parts (including labor costs) contained in this Haier product for a period of 12 months from the date of purchase (for commercial or rental applications, the warranty is 90 days).

You must keep and be able to provide your original sales receipt as proof of the date of purchase.

Who is covered?

The original retail purchaser of this Haier product.

What will be done?

Haier will repair or replace, in your home, any mechanical or electrical part which proves defective in normal household use for a period of 12 months.

How can you get service?

1. Contact your nearest Haier authorized Service Center. For the name of the Service Center nearest you, contact Haier at (877) 337-3639.
2. All service must be performed by an authorized Haier Service Center.

THIS WARRANTY COVERS UNITS WITHIN THE CONTINENTAL UNITED STATES, CANADA AND PUERTO RICO.

THIS WARRANTY DOES NOT COVER:

- Damages from improper installation
- Damages from shipping
- Damages from misuse, abuse, accident, alteration, lack of proper care and maintenance
- Damages from service by persons other than an authorized dealer or service center
- Labor, service, transportation and shipping charges for the removal of defective parts and for installation of a replacement part, beyond the initial 12-month period.

THIS LIMITED WARRANTY IS GIVEN IN LIEU OF ALL OTHER WARRANTIES, EXPRESSED OR IMPLIED, INCLUDING THE WARRANTIES OF MERCHANTABILITY AND FITNESS FOR A PARTICULAR PURPOSE.

The remedy provided in this warranty is exclusive and is granted in lieu of all other remedies. This warranty does not cover incidental or consequential damages. Some states do not allow the exclusion of incidental or consequential damages, so this limitation may not apply to you. Some states do not allow limitations on how long an implied warranty lasts, so this limitation may not apply to you. This warranty gives you specific legal rights, and you may also have other rights, which vary from state to state.

Consignes de Securite

Avertissement! Pour reduire le risque d'incendie, d'un choc electrique, des blessures personnelles, exercez toujours les precautions de securite fondamentales y compris les suivants.

1. Lisez toutes les instructions avant d'utiliser cet appareil.
2. Utilisez cet appareil uniquement pour l'usage auquel il est destine comme indique dans ce manuel d'utilisation.
3. N'utilisez aucun accessoire qui n'est pas recommande par le fabricant.
4. Cet unite doit etre mis a terre.
5. N'employez pas cet appareil pour les usages commerciaux.
6. N'employez pas cet unite avec aucun dispositif de commande de vitesse a semiconducteurs.
7. L'installation et le cablage electrique doivent etre faits par des techniciens qualifies selon tous les codes et normes y compris la construction du feu evaluee.
8. Assez d'air est necessaire pour epuiser le gaz de carburant brulant a travers le conduit (cheminee) pour eviter le courant d'air.
9. Quand vous remplacez une hotte avec une autre nouvelle hotte Haier, eteignez le courant de l'unite existant avant le remplacement.
10. Avant d'entretenir ou de nettoyer l'unite, eteignez le courant de l'unite sur le panneau de service et si possible, serrez le panneau de service pour empecher a la puissance de s'allumer par accident.
11. Ne pas reparer, remplacer n'importe quelle partie de l'appareil et ne pas tenter de fixer l'appareil vous meme.
Note: Si pour n'importe quelle raison cet appareil doit etre repare, on recommande avec force qu'un technicien certifie execute le service.
12. En coupant ou perçant le mur ou plafond, faites attention a ne pas endommager le cable electrique existant ou autres utilites caches.
13. Les conduits des ventilateurs doivent etre toujours ventilles vers le dehors.

Pour reduire le risque d'incendies de graisse:

1. Mettez toujours la hotte en marche en cuisinant a une chaleur elevee ou en faisant cuire les nourritures flamboyantes.
2. Ne laissez jamais une cuisson a une chaleur elevee sans surveillance. Les debordements causent de la fumee et les renversements graisseux peuvent causer une incendie. Chauffez l'huile lentement sous un montage lent ou moyen.
3. Utilisez une casserole correspondante a la taille de la cuisiniere et a la quantite de la nourriture qui doit etre cuisine.

4. Nettoyez les ventilateurs de ventilation frequemment. Ne permettez pas a la graisse de s'accumuler sur le ventilateur ou le filtre.

Pour reduire le risque d'une blessure au cas d'une incendie de graisse sur la cuisiniere:

1. Ne relevez jamais une casserole flamboyante, vous pouvez vous blesser.
2. N'utilisez jamais de l'eau, y compris des serviettes mouillees pour eteindre une incendie. Une explosion de vapeur violente peut resulter.
3. Etouffez le feu a l'aide d'un couvercle, d'un plateau en metal, puis eteignez les bruleurs. Soyez prudents. Evitez les brulures!!! Si les flammes ne s'eteignent pas immediatement, evacuez vite et appelez les pompiers.
4. Utilisez un extincteur seulement si:
 - a) Vous savez que vous avez un extincteur ABC et vous savez comment l'utiliser.
 - b) L'incendie est petite et contenue dans le meme endroit ou ca a commencee.
 - c) Les pompiers ont ete appeles.
 - d) Vous pouvez combattre le feu avec votre dos vers la sortie.

Attention!!!!

Important. Observez tous les codes et ordennances regissants.

1. Pour une utilisation de ventilation generale seulement
2. Pour reduire le risque d'une incendie utilisez seulement des conduits en metal.
3. Pour eviter d'endommager le moteur ou autres composants , maintenez le jet de cloison seche, la poussiere de construction,etc... hors de l' unite de puissance
4. Priere de lire les etiquettes de specification sur le produit pour des amples d'information et les conditions.

Conservez ces Instructions

Merci pour l'usage de notre produit Haier. Ce manuel facile à utiliser vous guidera en obtenant la meilleure execution de votre capot Haier

Rappelez-vous d'enregistrer le modèle et le numéro de série. Ils sont sur une étiquette dans le réfrigérateur.

Agrafez votre reçu à votre manuel.

Vous aurez besoin de lui pour obtenir le service de garantie.

13

Numéro de Model

Numéro de série

Date d'achat

Table Des Matieres

	Page
Accessoires.....	14
Preparation del'installation.....	16
Preparation du placard pour le soutien de la hotte.....	17
Consignes de sécurité importantes.....	17-18
Absence de conduit.....	18
Préparations des branchements électriques.....	19
Diagrammes d'installation électrique.....	19
Installation de la canalisation.....	19
Installation de la hotte.....	19
Utilisation et entretien.....	20
Problèmes et solutions.....	20
Garantie limitée.....	21

Accessoires

Les accessoires de la hotte fournis

- 1 Hotte
- 1 Amortisseur à rabats
- 4 Vis amortisseur
- 4 Vis de la hotte
- 4 Rondelles
- 2 Connecteurs
- 2 Filtres en aluminium
- 2 Insertions charbon
- 1 Guide d'utilisation
- 1 Carte de Garantie

Vérifiez que toutes les pièces et accessoires de cette liste sont bien fournis et en bon état. S'ils ne sont pas en bon état ou s'il en manque veuillez contacter notre service clients au 1-877-337-3639.

Gardes de Securite Importantes

Avertissement: Debranchez la hotte avant d'entretenir.

Avertissement: Pour reduire le risque d'incendie, des shocs electriques ou des blessures personnelles, veuillez respecter les consignes ci-dessous.

- A) Utilisez cet unite uniquement pour l'usage auquel il est destine par le fabricant. Si vous avez n'importe quelles questions, contactez le fabricant.
- B) Avant de nettoyer ou d'entretenir votre hotte, eteignez le pouvoir au panneau de service et verouillez le service pour assurez que le pouvoir ne s'allume pas accidentellement. Si le service debranchant ne peut pas etre verouille, attachez un appareil emittant avertissant comme une etiquette au panneau de service.
- C) L'installation et le cablage electrique doivent etre faits par des personnes qualifiees conformement a tous les codes et normes applicables y compris le feu de construction evalue.
- D) Il faut avoir assez d'air pour une propre combustion et pour l'echappement des gases a travers le conduit (la cheminee) de l'equipement des carburants brules pour eviter le flux en arriere. Suivez les guides du fabricant d'equipement de chauffage et les normes de suretes tels que ceux publies par l'Association de Protection des Incendies Nationales (NFPA) ET par la Societe Americaine du Chauffage, de la Refrigeration et l'air condition ant des ingenieurs (ASHRAE) et les autorites locales des codes.
- E) Quand vous coupez ou percez le plafond ou les murs, faites attention a ne pas endommager l'insatallation electrique ou autres utilites caches.

Avertissement: Pour l'usage de ventilation seulement. N'utilisez pas l'echappement hasardeux ou les les materiels explosifs ou vapeurs.

Avertissement: Pour reduire le risque d'incendie, utilisez des conduits en metal.

Avertissement: Pour reduire le risque d'incendie et pour echapper l'air proprement, assurez vous que le conduit est vers le dehors. N'echappez pas l'air dans des espaces sans murs ou plafonds, ou dans les greniers, des crawlspaces ou garages.

Avertissement: Pour reduire le risque d'une incendie grasseuse sur la cuisiniere:

- A) Ne laissez jamais des unites sous une haute flamme sans attention. Les bouillonnements causent de la fume et le debordement grasseux peut causer une incendie. Chauffez l'huile doucement sous une flamme moyenne ou basse.
- B) Mettez toujours la hotte en marche quand vous cuisinez sous une haute flamme ou quand vous cuisinez de la nourriture fumante.
- C) Nettoyez le entractes du ventilateur souvent. Il ne faut pas que la grasses'accumule sur le ventilateur ou le filtre.
- D) Utilisez toujours des poeles de propre grandeur. Utilisez toujours des casseroles appropriees pour la quantitee de nourriture

Preparations pour l'installation

Pour installer la Hotte, vous aurez besoin des outils et matériaux suivants.

Remarque: Pour une installation facile deux personnes sont nécessaires.

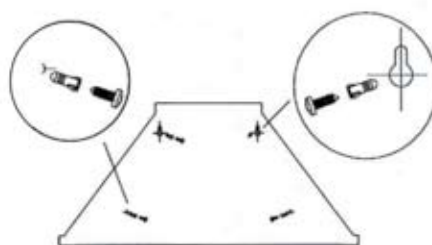
Outils dont vous aurez besoin pour l'installation

- Perceuse
- Foret de 3,2 mm pour percer les trous d'implantation
- Mèche à bois de 19 mm pour percer les trous d'entrée du câblage électrique
- Tournevis à douille de 9,5 mm ou cliquet à rallonge
- Tournevis Phillips
- Tournevis à tête plate
- Pincettes
- Crayon, règle et niveau de menuisier
- Scie à main ou scie sauteuse pour les ouvertures dans le mur ou la carrosserie
- Ruban adhésif en toile
- Ruban isolant
- Serre-connecteur

Preparation Generale:

Attention: Vérifiez que le courant est éteint (sur OFF) avant de commencer l'installation.

1. Retirez la hotte du carton.
2. Placez la hotte à l'envers sur une table recouverte d'un morceau de carton ou de papier pour éviter les éventuelles éraflures sur la table ou sur la hotte.
3. Retirez les 2 filtres à graisse de la hotte. Placez-les en lieu sûr afin qu'ils ne soient pas endommagés.
4. Installez deux ampoules de 40 watts.
5. Placez la hotte à l'endroit afin de voir les débouchures du conduit et les trous de montage.



Préparation de la carrosserie pour le soutien de la hotte

Montez la hotte de façon à ce que la base de la hotte soit entre 61 et 76 cm au-dessus de la cuisinière.

Avertissement! Lorsque vous coupez ou percez dans le mur ou la carrosserie faites attention à ne pas couper les fils électriques existants.

1. Si le bas de la carrosserie est encastré au-dessus du bas de la porte de la carrosserie il est nécessaire d'installer des embauchoirs de chaque côté de la zone encastrée sur le bas de la carrosserie où la hotte sera montée. Les embauchoirs doivent s'aligner sur les 4 trous sur le haut de la hotte. Attachez les embauchoirs avec les vis en bois à environ 7,6 cm de chaque extrémité.

Remarque: L'épaisseur des embauchoirs doit être légèrement supérieure à l'encastrement. La longueur doit être exacte.

2. Mesurez et marquez l'ouverture des fils électriques dans le mur ou la carrosserie. Si la hotte doit être ventilée marquez et mesurez l'ouverture du conduit dans le mur ou la carrosserie.

Decharge Vertical- La décharge verticale est la seule méthode d'installation de la hotte. S'il y a un grenier au-dessus de votre cuisine la canalisation peut circuler à travers le placard et le grenier à un capuchon de toit. Une autre option si votre cuisinière a un soffite au-dessus de la carrosserie est de faire circuler le conduit dans le soffite et ensuite de faire sortir l'air horizontalement à travers le mur extérieur vers un capuchon de mur.

Absence de canalisation- Dans les installations sans canalisation l'air est reventilé dans la cuisine à travers l'ouverture de la grille de la hotte. Si vous n'avez pas l'intention de beaucoup cuisiner cette méthode est préférable. L'installation sans conduit nécessite l'utilisation d'un filtre à charbon (fourni) afin de se débarrasser des odeurs. Le filtre doit être remplacé régulièrement, en fonction de son utilisation. Voyez avec votre revendeur pour le remplacement du filtre.

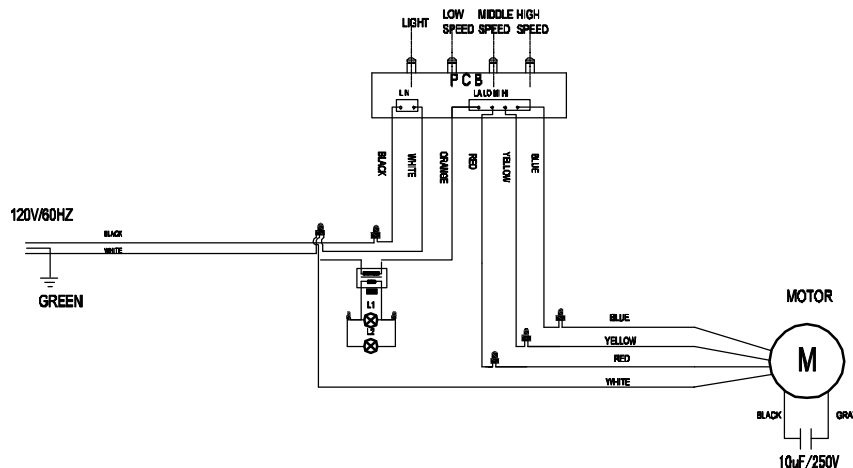
Remarque: Ce filtre à charbon n'est pas lavable au lave-vaisselle.

Préparation des branchements électriques

Remarque: Si vous changez de hotte le câble électrique peut avoir besoin d'être redirigé dans la position voulue.

1. Déterminez la place du câble électrique à relier à la hotte. La place pour le connecteur électrique, verticale ou horizontale, dépendra de l'utilisation existante ou de la facilité du câblage électrique. Tous les branchements électriques doivent être conformes aux normes locales et nationales. Transférez la place des débouchures de la hotte au bas du placard ou dans le mur, puis coupez ou percez un trou pour permettre le dégagement du serre-câble électrique. Faites attention à ne pas couper des fils électriques cachés.

Diagrammes d'installation électrique



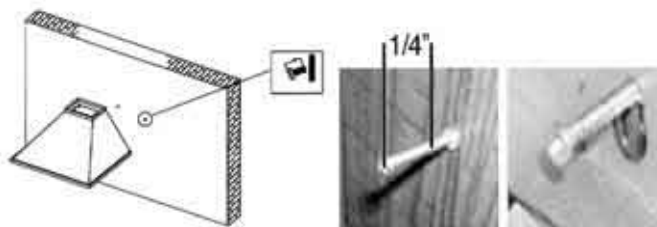
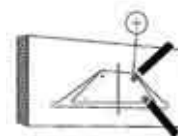
Installation de la canalisation

⊕ Votre nouvelle hotte fonctionnera au maximum de ses capacités si le nombre de coudes et la longueur du conduit sont au minimum. L'amortisseur arrière à battant attaché à l'unité de l'amortisseur fourni avec la hotte ne gêne pas la circulation de l'air de façon importante. Vous pouvez le laisser en place même si vous installez un mur ou un capuchon de toit avec un autre amortisseur arrière.

Installation de la hotte

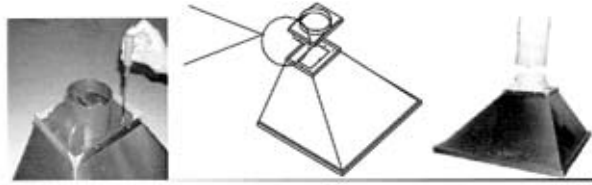
Remarque: Toutes les installations électriques doivent être conformes aux normes locales et nationales.

1. Transférez les trous de montage au mur là où la hotte va être montée.
2. Mettez la hotte en place et guidez le câble électrique à travers le serre-câble électrique de la hotte.

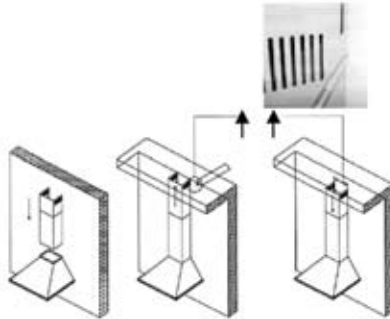


3. Attachez les 4 vis en bois fermement.
4. Sécurisez le câble électrique dans le serre-câble tout en laissant une longueur suffisante dans la hotte pour raccorder les fils à ceux de la hotte. Attachez l'amortisseur au haut de la hotte.

5. Attachez le conduit à la hotte.



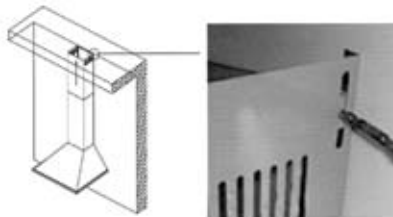
6. Montez temporairement la cheminée en inox et marquez le haut.



7. Attachez le bras de serrage au mur à l'aide des vis fournis.



8. Reliez la cheminée au bras de serrage.



Depanage

Le ventilateur n'est pas en marche (la lumiere est allumee)

Ceci est du probablement a un defectueux commutateur ou le ventilateur du moteur est brule. Les 2 peuvent etre remplaces sans avoir a enlever la hotte du mur ou du placard. Utilisez un metre de ohm pour determiner quelle piece ne fonctionne pas. Si le metre ohm lit que le commutateur du ventilateur a 0 ohm de resistance, alors le moteur doit etre replace. Ci le ohm lit plus qu'un 0 c'est le commutateur qui doit etre replace

Le ventilateur fonctionne sous une seule vitesse.

Priere de voir les instructions ci dessus pour depannage si le ventilateur ne fonctionne pas (mais la lumiere est allumee)

Ventilateur circule l'air mais ne le conduit pas au dehors

Si l'air soufflé a traves les ouvertures du conduit de devant , votre hotte a ete installee pour une operation sans conduit. Afin de convertir le systeme, pour ventiller vers le dehors, un technicien doit installer des conduits en metal de la hotte a travers un mur exterieur ou le toit. Si l'air ne soufflé pas de devant des ouvertures du conduit, examinez le dedans du placard au dessus de la hotte. Si vous voyez un conduit en metal allant de la hotte du ventilateur, vous avez un systeme qui ventille vers le dehors. Si vous ne voyez aucun conduit, il se peut que votre unite ventille a travers le mur de derriere.

Lumiere ne s'allume pas. (ventilateur est en marche)

Il se peut que l'ampoule est brulee. Essayez de remplacer l'ampoule. Si la lumiere ne s'allume toujours pas, il se peut que le commutateur ou la douille de lampe sont defectueux. Les 2 peuvent etre remplaces sans enlever la hotte du mur ou du placard.

Lampe veilleuse ne fonctionne pas.

Employez seulement les ampoules du type M d'halogene. (Ne sont pas fournies avec la hotte du fourneau.)

La hotte ne fonctionne pas

Avant tout assurez vous que le disjoncteur ou le fusible ne sont pas trebuches comme la hotte est directement attachee au systeme electrique de la maison.

Note: N'importe quel travail doit etre execute par un technicien qualifie et autorise.

Garantie Limitee

Cette garantie couvre tous les defauts de fabrication ou de materiaux pour une periode de:

Parties electriques et mecaniques (inclus la main-d'oeuvre) contenues dans ce produit Haier, pour une periode de 12 mois de la date d'achat (pour une application commerciale ou en cas de location, la garantie est pour 90 jours)

Vous devrez garder et presenter votre original recu d'achat comme preuve d'achat.

Qui est sous garantie?

L'acheteur original de ce produit Haier.

Quelles seront les mesures prises?

Haier reparera ou remplacera dans votre domaine, n'importe quelles parties electriques ou mecaniques defectueuses lors d'une utilisation normale pendant la periode de la garantie de 12 mois.

Comment acquerir un service?

1. Contatctez le service autoritaire de Haier le plus proche de vous. Pour avoir le nom du centre de service le plus proche, contactez Haier a (877) 337-3639
2. Tous les sevices doivent etre executes par un personel autorise du centre du service

CETTE GARANTIE COUVRE TOUS LES APPAREILS DANS LES ETATS UNIS, CANADA ET PUERTO RICO.

CETTE GARANTIE NE COUVRE PAS:

Dommmages dus a une mauvaise installation

Dommmages survenus pendant le transport

Dommmages dus a une mauvaise utilisation, une utilisation excessive, a une alteration, au manqué d'entretiens et soins.

Dommmages dus a une reparation effectuee par un service autre que le service autorise.

Les mains-d'oeuvre, service, transportation et l'exportation pour le deplacement des parties defectueuses et pour l'installation d'un remplacement, après les 12 mois initials.

CETTE GARANTIE EST DONNEE EN LIEU D'AUTRES GARANTIES, LIMITEE, EXPRIMEE OU IMPLICITE INCLUANT LES GARANTIES DE QUALITE MARCHANDE OU D'APTITUDE DANS UN BUT PARTICULIER.

Cette garantie est exclusive. Cette garantie ne couvre des dommages incidentales ou consequents. Quelques Etats n'autorisent pas l'exclusion des dommages incidentales ou consequents, alors cette garantie n'est peut etre pas applicable pour vous. Cette garantie vous donne certains droits juridiques, et il est possible que vous disposiez d'autres droits, variant d'un etat a l'autre.

PRECAUCIONES

ADVERTENCIA – Para reducir el riesgo a quemaduras, shock eléctrico, fuego, lesiones físicas o la excesiva exposición a la energía de microondas:

1. Lea todas las instrucciones antes de utilizar este electrodoméstico.
2. Utilice este electrodoméstico sólo para su entendido uso, como se describe en este manual.
3. No utilice accesorios no recomendados por el fabricante
4. Esta unidad debe tener conexión a tierra
5. No utilice esta unidad para uso comercial
6. No utilice esta unidad con un control continuo de velocidad
7. La instalación y cableado eléctrico debe realizarla una persona calificada y teniendo en cuenta las reglamentaciones y códigos aplicables.
8. Se necesita aire suficiente para la salida de gases adecuada a través de la chimenea de manera de evitar el goteo. Siga los pasos en la guía del equipo de calor provista y demás medidas de seguridad, como las publicadas por la Asociación Nacional de Protección contra incendios (NFPA) y la Sociedad Americana de ingeniería en calefacción, refrigeración y aire acondicionado (ASHRAE), y las autoridades locales.
9. Cuando reemplace a un purificador de aire existente con este nuevo equipo apague la unidad antes de realizar el cambio.
10. Antes de realizar reparaciones o limpieza apague la tecla de encendido en el panel de servicio y desconecte para evitar que el purificador sea encendido accidentalmente.
11. No repare, reemplace alguna parte o intente alguna reparación.
Nota: Si por alguna razón este producto requiere de reparación recomendamos contactar a un técnico especializado.
12. Cuando corte o taladre en la pared o cielo raso sea cuidadoso de no dañar instalaciones eléctricas u otras instalaciones.
13. Los ventiladores de conducción siempre deben tener salida al exterior.

Para reducir el riesgo de incendio:

- a) Siempre encienda (ON) el purificador de aire cuando cocine a altas temperaturas o cuando flamee
- b) Nunca deje la cocina desatendida. Cuando hierve o fríe alimentos se generan vapor y salpicones de grasa que pueden ser causa de incendio. Caliente los aceites a temperaturas medias.
- c) Siempre utilice el tamaño de fuente adecuado. Siempre utilice los utensillos de cocina de la superficie adecuada.

Para reducir el riesgo de lesiones físicas en caso de incendio:

1. Nunca agarre o levante una cacerola o sartén ardiendo, usted puede quemarse
2. No utilice agua, incluyendo toallas mojadas para apagar el fuego. Pueden causar una violenta explosión de vapor.
3. Disminuya las llamas colocando una bandeja o placa de metal. Luego apague el quemador. Tenga cuidado de no lastimarse. Si las llamas no son apagadas de inmediato evacue y llame al departamento de bomberos.
4. Utilice un extinguidor solamente si:
 - a) Posee un extinguidor clase ABC y sabe como utilizarlo
 - b) El fuego es pequeño y está contenido en el área donde comenzó
 - c) El departamento de bomberos está siendo llamado
 - d) Usted esta combatiendo el fuego de espaldas hacia una salida.

CUIDADO!

Importante – Observe los códigos actuales y ordenanzas

1. Exclusivo para ventilación. No utilice esta unidad para eliminar vapores o gases explosivos
2. Para reducir el riesgo de fuego utilice solamente material de metal
3. Para evitar el daño al motor u otros componentes mantenga sprays limpiadores o polvo de construcción lejos de la unidad.
4. Por favor, lea las especificaciones del producto en la etiqueta para mayores indicaciones.

GUARDE ESTAS INSTRUCCIONES PARA FUTURA REFERENCIA

Gracias por utilizar nuestro producto Haier Este manual de fácil uso leayudará a obtener la mayor eficiencia en la operación de su purificador de aire. Recuerde guardar el modelo y número de serie. Ambos se encuentran en la etiqueta del refrigerador.

Número de Modelo

Número de Serie

Fecha de Compra

Engrape su recibo junto al manual.

Lo necesitará para obtener el servicio de la garantía.

Contenidos

	PÁGINA
Accesorios.....	24
Precauciones de seguridad importantes.....	25
Preparación para la instalación.....	26
Preparación del gabinete para el soporte de la campana.....	27
Descarga vertical.....	27
Sin conductos.....	27
Preparación de conexiones eléctricas.....	27-28
Diagrama de instalación eléctrica.....	28
Instalación de la red de conductos.....	28
Instalación de la campana.....	28
Uso y Cuidado.....	30
Detección y solución de problemas.....	31
Garantía limitada.....	32

Accesorios

Accesorios de la campana de cocina provistos:

- 1 campana de cocina
- 1 aleta de regulador de tiro
- 4 tornillos para el regulador de tiro
- 4 tornillos para la campana de cocina
- 4 arandelas
- 2 conectores de cables eléctricos
- 2 filtros de aluminio
- 2 encastres de carbón
- 1 manual para el usuario
- 1 tarjeta de la garantía

Revise para asegurarse de que todas las piezas y accesorios están presentes y en buenas condiciones. Si descubre que no están en buenas condiciones o falta alguno, por favor, contacte a nuestro departamento de atención al cliente para obtener asistencia. Nuestro número gratuito es 1-877-337-3639.

Importantes Medidas de Seguridad

CUIDADO! Desconecte el purificador de aire antes de realizar reparaciones

CUIDADO! Para reducir el riesgo de shock eléctrico y de lesiones físicas tenga en cuenta las siguientes recomendaciones:

- a) Utilice este producto solo para el uso entendido por el fabricante. Si usted tiene dudas contacte al fabricante.
- b) Antes de realizar reparaciones o limpieza apague la tecla de encendido en el panel de servicio y desconecte para evitar que el purificador sea encendido accidentalmente.
- c) La instalación y cableado eléctrico debe realizarse por una persona calificada de acuerdo con las normas y códigos de la construcción.
- d) Se necesita de suficiente aire para la adecuada combustión y expulsión de gases a través del conducto para prevenir pérdidas de agua hacia el interior. Siga los pasos en la guía del equipo de calor provista y demás medidas de seguridad, como las publicadas por la Asociación Nacional de Protección contra incendios (NFPA) y la Sociedad Americana de ingeniería en calefacción, refrigeración y aire acondicionado (ASHRAE), y las autoridades locales.
- e) Cuando corte o taladre en la pared o cielo raso no dañe instalaciones eléctricas u otras instalaciones.

CUIDADO! Utilice solo para ventilación general. No use para la eliminación de gases explosivos o vapores.

CUIDADO! Para reducir el riesgo de incendios utilice solamente conductos de metal.

CUIDADO! Para reducir el riesgo de incendios y expedir adecuadamente el aire asegúrese de que el conducto tenga salida al exterior. No deje que el aire se libere entre paredes o cielo raso, áticos o en el garaje.

PELIGRO! Para reducir el riesgo de incendio:

- a) Nunca deje la cocina desatendida. Cuando hierve o fríe alimentos se generan vapor y salpicones de grasa que pueden ser causa de incendio. Caliente los aceites a temperaturas medias.
- b) Siempre encienda el purificador de aire cuando cocina a temperaturas altas o cuando flamee comidas.
- c) Limpie el ventilador frecuentemente. No debe acumularse grasa en el ventilador o filtro.
- d) Siempre utilice el tamaño de fuente adecuado. Siempre utilice los utensillos de cocina de la superficie adecuada.

Preparación para la instalación

Para instalar la campana de cocina, necesitará las siguientes herramientas y materiales.

Nota: Para que el procedimiento de instalación sea fácil, serán necesarias 2 personas.

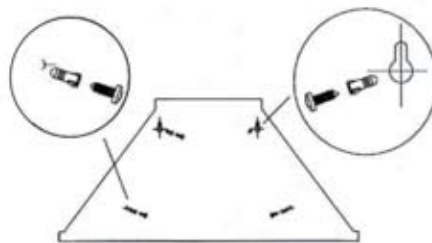
Herramientas necesarias para la instalación

- Taladro
- Broca para taladro de 1/8" para realizar los agujeros guías
- Broca para madera de 1-1/4" para realizar el agujero de acceso a la instalación eléctrica
- Llave para tuercas de 3/8" o trinquete con extensión
- Destornillador Phillips
- Destornillador de punta plana
- Pinzas
- Lápiz, regla y nivel para marcar la ubicación de la campana de cocina
- Sierra de mano o sierra de vaivén para cortar la pared o las aberturas del gabinete
- Cinta adhesiva
- Cinta aislante
- Abrazadera para el conector

Preparación general

¡Precaución! Asegúrese de ubicar el interruptor eléctrico en la posición OFF (APAGADO) antes de comenzar la instalación.

1. Saque la campana de cocina de la caja de cartón.
2. Coloque la campana de cocina invertida sobre una mesa cubierta con cartón o papel para evitar ralladuras en la campana o en la mesa.
3. Quite los dos filtros para la grasa de la campana. Colóquelos en un lugar seguro para que no se dañen.
4. Instale dos lámparas de luz de 40 vatios.
5. Dé vuelta la campana así puede ver los precortes de los conductos y los agujeros de montaje.



Preparación del gabinete para el soporte de la campana

Coloque la campana de modo que la parte inferior de la misma esté entre 24" y 30" sobre la parte superior de la cocina.

¡Advertencia! Cuando realice cortes o agujeros en la pared o en el gabinete, tenga cuidado de no cortar la instalación eléctrica existente.

1. Si la parte inferior del gabinete se encuentra empotrada, entonces será necesario instalar tablas de madera a cada lado del área empotrada en la parte inferior del gabinete donde se colocará la campana de cocina. Las tiras de madera deben alinearse con las 4 ranuras en la parte superior de la campana de cocina. Ajuste las tablas de madera con tornillos para madera a aproximadamente 3" de cada extremo.

Nota: El grosor de las tiras de madera debe ser ligeramente mayor que la dimensión del área empotrada. El largo debe cortarse según el tamaño.

2. Mida y marque la abertura de la instalación eléctrica en la pared o en el gabinete. Si la campana va a tener ventilación, también debe marcar y medir la abertura para el conducto en la pared o gabinete.

Descarga vertical –La descarga vertical es el único método para la instalación de la campana. Si encima de su cocina tiene un ático, los conductos pueden atravesar el armario y el ático y terminar en un casquillo en el techo. Otra opción, si su cocina tiene un sofito encima del gabinete, es hacer que el conducto atraviese el sofito y luego descargue el aire horizontalmente por la pared exterior a un casquillo en la pared.

Sin conducto – En instalaciones sin conducto, el aire vuelve a la cocina a través de la abertura en la parrilla de la campana de cocina. Si no piensa realizar cocciones abundantes, puede ser preferible este método. Para la instalación sin conductos deben utilizarse filtros de carbón (incluidos con el producto) para quitar los olores, que deben ser reemplazados con regularidad, según el uso que se le dé a la unidad. Consulte en los comercios o distribuidores de la zona por los repuestos.

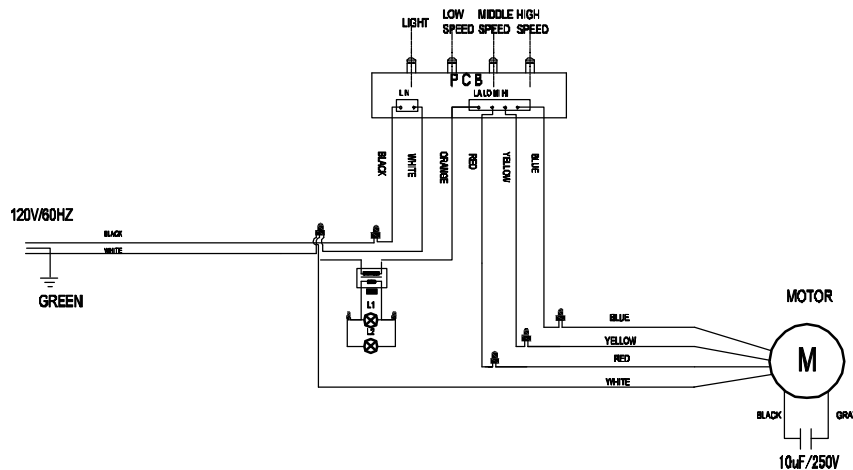
Nota: ¡Este filtro de carbón no es apto para lavavajillas!

Preparación de conexiones eléctricas

Nota: Si se está reemplazando una campana existente, es probable que el cable eléctrico deba ser guiado nuevamente hasta la posición deseada.

1. Determine la ubicación del cable eléctrico para conectar la campana de cocina. La ubicación más adecuada para el conector eléctrico, ya sea vertical u horizontal, dependerá de la instalación existente o de la facilidad para dirigir el cableado. Todas las conexiones eléctricas deben cumplir con los códigos nacionales y locales. Transfiera la ubicación de los precortes seleccionados para la campana de cocina en la parte inferior del armario o sobre la pared, luego corte o haga un agujero para dejar espacio libre para la abrazadera del cable eléctrico. Tenga cuidado de no cortar elementos ocultos, tales como cables eléctricos.

Diagrama de instalación eléctrica



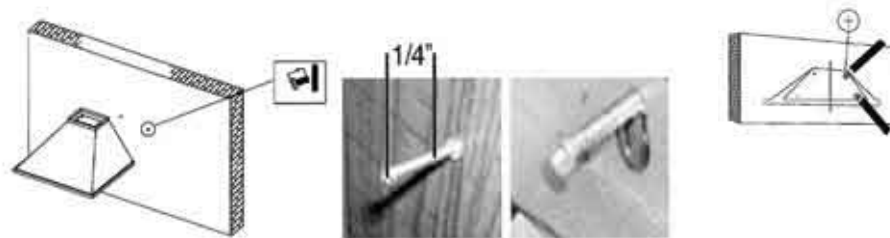
Instalación de la red de conductos

- ☉ Su campana de cocina nueva funcionará con el máximo de eficacia si la cantidad de codos y el largo del conducto se mantienen en el mínimo posible. La aleta de regulador de tiro para la ventilación trasera unida al montaje del marco del regulador de tiro, que se proporciona junto con la campana, no impide de manera significativa el flujo de aire. Puede dejarlo en su lugar aunque instale un casquillo en la pared o el techo con otro regulador de tiro para la ventilación trasera.

Instalación de la campana

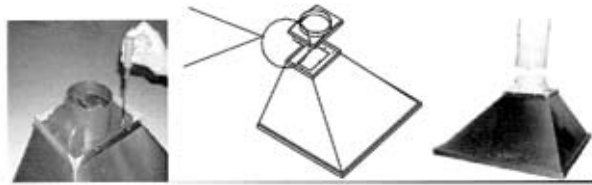
Nota: La instalación eléctrica completa debe cumplir las reglamentaciones del código eléctrico local y del nacional.

1. Transfiera los agujeros de montaje a la pared donde va a colocarse la campana.
2. Levante la campana hasta la posición deseada y ubique el cable eléctrico a través de la abrazadera para el cable eléctrico en la campana.

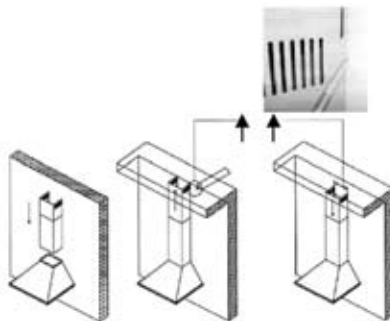


3. Ajuste con firmeza los cuatro tornillos para madera.
4. Asegure el cable eléctrico en la abrazadera para el cable y deje un largo suficiente en la campana como para conectar los cables flexibles aislados con los cables de la campana. Una el regulador de tiro con la parte superior de la campana.

5. Una el conducto con la campana.



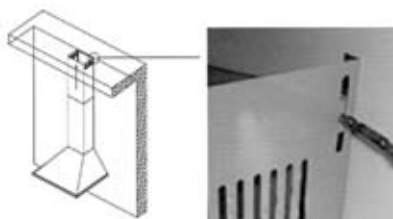
6. Ubique temporalmente la chimenea de acero inoxidable y marque la parte superior.



7. Una la abrazadera de montaje a la pared con los tornillos provistos.



8. Conecte la chimenea con la abrazadera de montaje.



Uso y Cuidado

Filtro de Aluminio

Para una mayor eficiencia, este filtro debe retirarse y limpiarse con frecuencia. Sumerja el filtro en agua caliente y detergente. Seque y repita si es necesario. El filtro de aluminio puede ser lavado también en el lavaplatos. Las formaciones de grasa pesadas pueden ser difíciles de eliminar, si es así el filtro deberá ser reemplazado.

Filtro de carbón activo

Inspeccione el filtro periódicamente. Este no puede ser limpiado y debe ser reemplazado cuando esté saturado. Ubique a su vendedor minorista o distribuidor para adquirir el mismo.

Lámpara de luz

Use solamente bombillas de halógeno tipo mr-16. (No se envían con la campana de cocina)

Superficie exterior

Repase el exterior del purificador con un paño humedecido con agua y detergente. No utilice materiales abrasivos como esponjas de metal o limpiadores en polvo.

Reparación o recambio de partes

Cuidado! Desconecte la corriente antes de realizar cualquier reparación. Todas las partes deben obtenerse de centros de distribución autorizados por Haier, o ser ordenados directamente de Haier. Cuando ordene repuestos por favor especifique el modelo de su purificador de aire, que se encuentra en la etiqueta dentro del equipo.

Problemas Comunes

El ventilador no enciende (pero la luz está encendida)

Esto puede corresponder a defectos en la tecla de encendido o a que el motor fundió. Ambas opciones pueden ser reparadas sin tener que desinstalar el purificador de su lugar. Utilice un medidor Ohms para determinar cual de los componentes no está funcionando. Si el medidor muestra que el switch posee 0 ohms de resistencia, es el motor el que debe ser reemplazado. Si lectura fuera cualquiera menos 0, deberá reemplazarse la tecla.

El ventilador solo trabaja a una velocidad.

Por favor, lea las instrucciones arriba para problemas frecuentes cuando el ventilador no encienda (pero encienda la luz)

Circula aire pero no expulsa el aire hacia fuera

Si el aire sale por la rejilla del frente, entonces su purificador de aire fue instalado para operar sin conducto. Para realizar el cambio una persona calificada debe realizar la instalación de conductos con conexión al exterior.

Si el aire no esta siendo expulsado por el frente entonces controle dentro del gabinete por arriba del purificador de aire. Si usted ve que el aire sale por un conducto de metal quiere decir que el sistema es con salida al exterior. Si usted no ve un conducto su unidad debe estar expidiendo el aire a través de la pared trasera.

La luz no enciende pero sí la unidad.

Puede ser que la lámpara de luz se haya quemado. Reemplace la lámpara. Si todavía no funciona la tecla de encendido o el enchufe de la lámpara no funcionan. Ambos pueden repararse sin tener que desinstalar la unidad.

La luz de noche no se enciente

Por favor, lea las instrucciones mas arriba "la luz no enciende pero sí la unida"

El purificador no enciende del todo.

Controle si hay algún fusible quemado.

NOTA: Todo los trabajos deben ser realizados por un técnico electricista.

GARANTIA LIMITADA

Esta garantía cubre todos los defectos en el funcionamiento o materiales por:

Las partes mecánicas y eléctricas (incluyendo costo de labor) que hacen al funcionamiento de este producto Haier, por un período de 12 meses desde la fecha de compra. (Para uso comercial o renta la garantía es de 90 días)

Usted debe guardar y presentar la factura original de compra para demostrar la fecha y hacer uso de la garantía.

¿Quién esta cubierto?

El distribuidor original minorista del producto Haier.

Que se hará?

Haier reparará o cambiará a nuestra discreción cualquier parte mecánica o eléctrica que se muestre defectuosa en la operatoria normal y dentro del período de 12 meses.

¿Cómo obtiene el servicio?

1. Contacte al centro de servicio autorizado por Haier más cercano. Para obtener el nombre del Centro de Servicios llame al: 1-877-337-3639.
2. Todas las reparaciones deberán ser realizadas por personal autorizado por Haier.

ESTA GARANTIA ACANZA A TODOS LOS ELECTRODOMESTICOS DENTRO DE LOS ESTADOS UNIDOS, CANADA Y PUERTO RICO.

ESTA GARANTIA NO ALCANZA LO SIGUIENTE:

Daños por instalación inadecuada Daños en el embarque.

Daños por desuso, accidente, abuso, alteración, falta de cuidado y mantenimiento adecuado, uso del voltaje inapropiado.

Daños realizados por un técnico o persona no autorizada por Haier.

Cargos por labor, reparación, transporte por el cambio de una parte defectuosa más allá de los 12 meses iniciales.

ESTA GARANTIA LIMITADA ESTA DADA EN LUGAR DE CUALQUIER OTRA GARANTIA, EXPRESAS O NO, INCLUYENDO LA GARANTIA DE COMERCIALIZACION O PARA UN PROPOSITO EN PARTICULAR.

Las soluciones provistas en esta garantía son exclusivas y concedidas en lugar de cualquier otra garantía. Esta garantía no cubre daños incidentales o consiguientes, de modo que las limitaciones anteriores pueden no alcanzarlo. Algunos Estados no permiten limitaciones en cuanto la duración de una garantía implícita, de modo que las limitaciones anteriores pueden no alcanzarlo. Esta garantía le da derechos legales específicos, y usted gozará de otros derechos los cuales varían de Estado a Estado.

Haier América

IMPORTANT

Do Not Return This Product To The Store
If you have a problem with this product, please contact the
“Haier Customer Satisfaction Center” at 1-877-337-3639.
DATED PROOF OF PURCHASE, MODEL # AND SERIAL #
REQUIRED FOR WARRANTY SERVICE

Made in China

Haier®

Haier America
New York, NY 10018

Printed in China

HHX7130
Issued: June 07

Free Manuals Download Website

<http://myh66.com>

<http://usermanuals.us>

<http://www.somanuals.com>

<http://www.4manuals.cc>

<http://www.manual-lib.com>

<http://www.404manual.com>

<http://www.luxmanual.com>

<http://aubethermostatmanual.com>

Golf course search by state

<http://golfingnear.com>

Email search by domain

<http://emailbydomain.com>

Auto manuals search

<http://auto.somanuals.com>

TV manuals search

<http://tv.somanuals.com>