

**Space-Saving Portable Compact  
Electronic 1 cubic Ft.  
Top Load Washer**

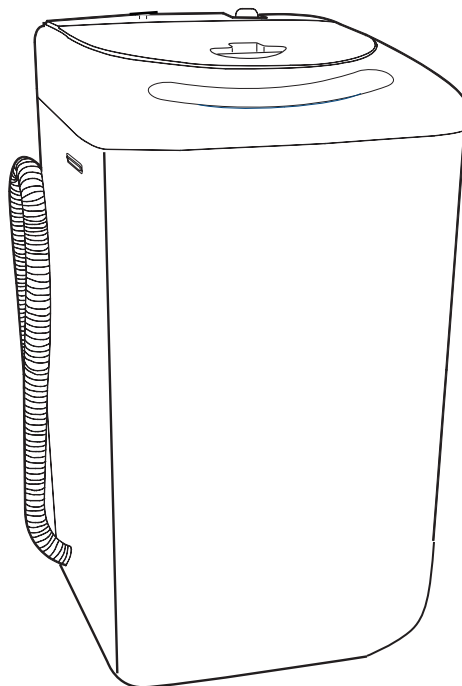
---

**Laveuse électronique portative  
compacte à chargement par le  
haut 1 p.i<sup>3</sup> /28 litres**

---

**Lavadora electrónica con carga  
superior, compacta y portátil  
para el ahorro de espacio  
de 1 pie cúbico**

---



---

User Manual  
HLP21N

---

Guide de l'Utilisateur  
HLP21N

---

Manual del Usuario Modelo  
HLP21N

**Haier**

Quality ▪ Innovation ▪ Style

## UNPACKING YOUR WASHING MACHINE



1. Inspect and remove all packing materials. This includes the foam and any adhesive tape both inside and outside of the unit.
2. Inspect and remove any remains of packing, tape or printed materials before powering on the Washer.

# DANGER

**Risk of child entrapment. Before throwing away your old appliance, remove the door so that children may not easily become trapped inside.**

## PRODUCT REGISTRATION

Thank you for purchasing our Haier product. This easy-to-use manual will guide you in getting the best use of your washer.

Remember to record the model and serial number. They are on a label in back of the washer.

\_\_\_\_\_ *Model number*

\_\_\_\_\_ *Serial number*

\_\_\_\_\_ *Date of purchase*

Staple your receipt to your manual.

**You will need it to obtain warranty service.**

Please register your product online at [www.prodregister.com/haier](http://www.prodregister.com/haier)

1



# IMPORTANT SAFETY INSTRUCTIONS

**Warning – To reduce the risk of fire, electric shock, or injury to persons when using your appliance, follow basic precautions, including the following:**

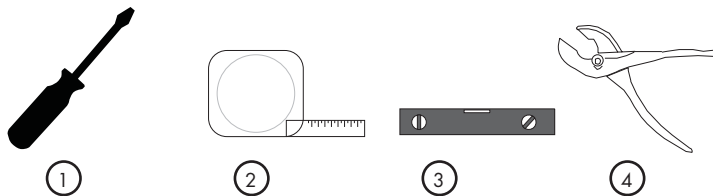
1. **Read all instructions before using the appliance.**
2. Use this appliance only for its intended purpose as described in this use and care guide.
3. Use only detergents or softeners as recommended for use in this manual and keep them out of the reach of children.
4. This appliance must be properly installed in accordance with the installation instructions before it is used.
5. Never unplug your appliance by pulling on the power cord. Always grasp the plug firmly and pull straight out from the outlet.
6. Replace immediately any worn power cords, loose plugs and power outlets.
7. Unplug your appliance before cleaning or before making any repairs.
8. If your old appliance is not being used, we recommend that you remove the door. This will reduce the possibility of danger to children.
9. Do not operate your appliance in the presence of explosive fumes.
10. Do not use this appliance to wash clothes that have been soaked, spotted or washed in gasoline, dry cleaning solvents or any other explosive or flammable substances that may ignite and explode.
11. Clothes or rags used to clean flammable or explosive materials should not be washed in this appliance until all traces of this material have been removed.
12. Do not add or mix any flammable or explosive substances to the wash.
13. Do not try to remove clothes while the tub is moving. Allow it to come to a complete stop before reaching in.
14. The appliance's loading door must be closed when the tub is spinning.
15. Do not operate your appliance when parts are missing or broken.
16. Do not use this appliance for commercial uses.
17. Do not operate this appliance unless all enclosure panels are properly in place.
18. Do not tamper with controls.
19. To reduce the risk of injury, do not allow children to play in or on the appliance. Close supervision of children is necessary when the appliance is used near children.

20. This appliance must be connected to a proper electrical outlet with the correct electrical supply.
21. Proper grounding must be ensured to reduce the risk of shock and fire. **DO NOT CUT OR REMOVE THE GROUNDING PLUG.** If you do not have a three-prong electric receptacle outlet in the wall, have a certified electrician install the proper receptacle. The wall receptacle **MUST** be properly grounded.
22. Hydrogen gas may be produced if the water heater has not been used in more than 2 weeks. This may be explosive under certain circumstances. If this is the case turn on all the hot faucets and let the hot water run for a few minutes before using this appliance. This will let the trapped hydrogen escape. Avoid accidents during this process by refraining from turning **ON** any electrical appliances, smoking, lighting a match/lighter, or using flames.
23. Do not repair or replace any part of the appliance or attempt any servicing unless specifically recommended in the user-repair instructions, which you understand and have the skill to carry out.  
**Note:** If for any reason this product requires service, we strongly recommend that a certified technician perform the service.
24. To reduce the risk of electric shock or fire, do not use extension cords or adapters to connect the unit to an electrical power source.

## SAVE THESE INSTRUCTIONS HOUSEHOLD USE ONLY

### Tools and Materials Required

You will need to use the following tools when installing your washer:



1. Phillips Screwdriver - For bottom plate
2. Tape Measure - Check measurement of washer location
3. Level - To balance washer
4. Open End Pliers - To secure intake hose

**3**

## SAFETY INSTRUCTIONS

### Electrical Requirements



#### WARNINGS:

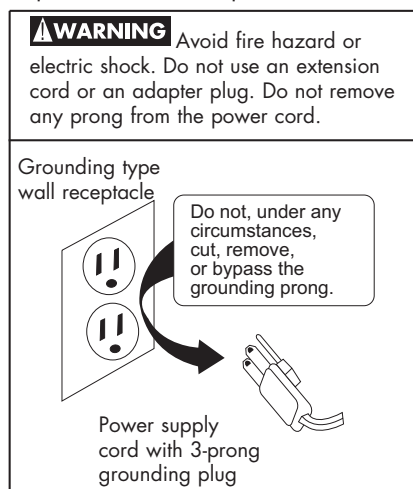
#### Grounding Instructions

This appliance must be grounded. It is equipped with a 3-wire cord having a grounded plug. The plug must be plugged into an outlet which is properly installed and grounded.

**Warning!** Improper use of the grounded wire can result in the risk of electric shock. Consult a qualified electrician if necessary. Do not attempt to defeat this safety feature by modifying the plug.

Avoid the use of an extension cord because it may overheat and cause a risk of fire. However, if it is necessary to use an extension cord:

- A. Use only 3-wire extension cord with 3-blade grounding plug.
- B. The marked rating of the extension cord must be equal to or greater than the rating of this appliance.
- C. It should be positioned such that it does not drape over the counter or tabletop where it can be pulled on children or tripped over.



#### Attempting any maintenance or cleaning:

To minimize the possibility of electric shock, unplug this appliance from the power supply or disconnect the dryer at the household distribution panel by removing the fuse or switching off the circuit breaker before attempting any maintenance or cleaning (except the removal and cleaning of the lint filter).

**Note:** Pressing the Power ON/OFF button to an off position or pressing Start / PAUSE button, does NOT disconnect the appliance from the power supply.

#### Wiring Requirements

- This appliance must be plugged into at least a 15 AMP 110-120 VOLT 60 HZ GROUNDED OUTLET.

## TABLE OF CONTENTS

	<b>PAGE</b>
<b>UNPACKING YOUR WASHING MACHINE</b> .....	<b>1</b>
<b>IMPORTANT SAFETY INSTRUCTIONS</b> .....	<b>2-4</b>
<b>UNPACKING AND CHECKING PARTS</b> .....	<b>6</b>
<b>WASHER PARTS AND FEATURES</b> .....	<b>7</b>
<b>CONTROL PANEL</b> .....	<b>8</b>
<b>INSTALLATION INSTRUCTIONS</b> .....	<b>10</b>
<b>OPERATING YOUR WASHER</b> .....	<b>15</b>
<b>CHOOSING A CYCLE</b> .....	<b>18</b>
<b>PROPER CARE AND CLEANING</b> .....	<b>21</b>
<b>TROUBLESHOOTING GUIDE</b> .....	<b>22</b>
<b>WARRANTY</b> .....	<b>24</b>

## UNPACKING AND CHECKING PARTS



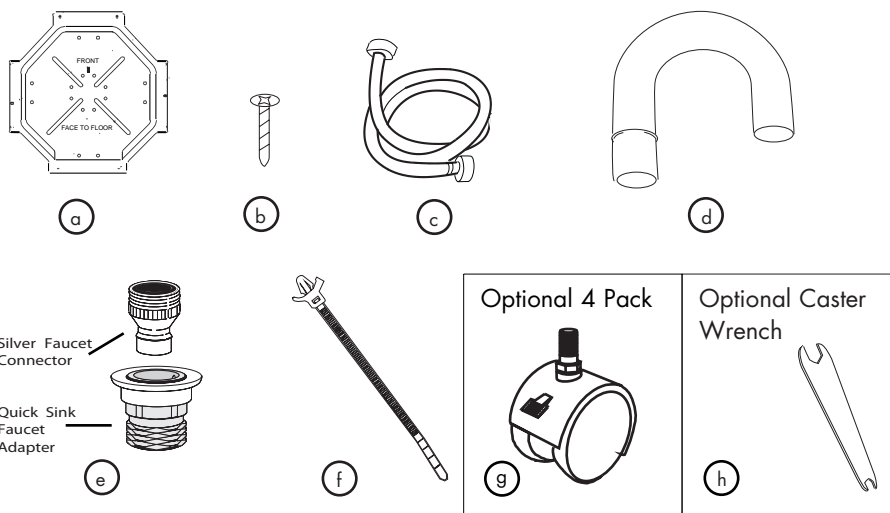
### Unpacking

1. Remove all packing materials. This includes the foam base and all adhesive tape holding the washer accessories inside and outside. Slide out and remove the bottom Styrofoam that is used to protect the washer from shipping damage due to vibrations and shock.
2. Inspect and remove any remaining packing, tape or printed materials before using the washer.

**Note:** The bottom panel is located between the top foam used for protection and box.

### Parts

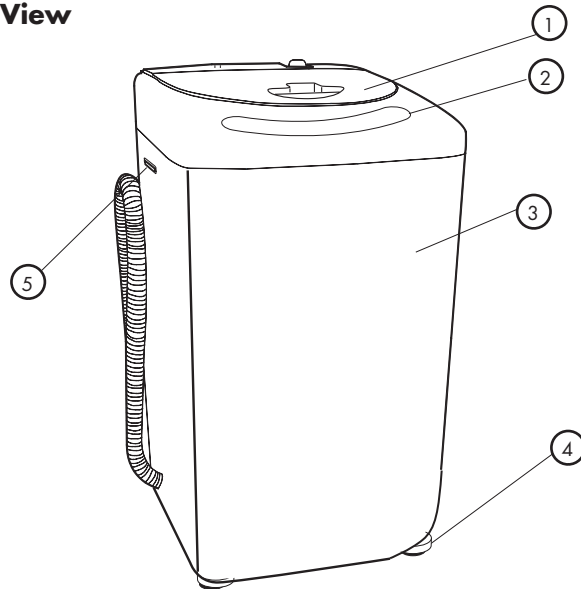
- |                                  |                                |
|----------------------------------|--------------------------------|
| a) 1 Bottom Panel                | e) 1 Quick Sink Faucet Adapter |
| b) 6 Screws for the Bottom Plate | f) 2 Locking Bands             |
| c) 1 Water Inlet Hose            | g) Optional 4 Casters          |
| d) 1 Drain Hook (Gooseneck)      | h) Caster wrench               |



Check to make sure that the accessories are present and in good condition. If you find that they are not in good condition or are missing, please contact our customer service department for assistance. **Our Toll-Free number is 1-877-337-3639.**

## WASHER PARTS AND FEATURES

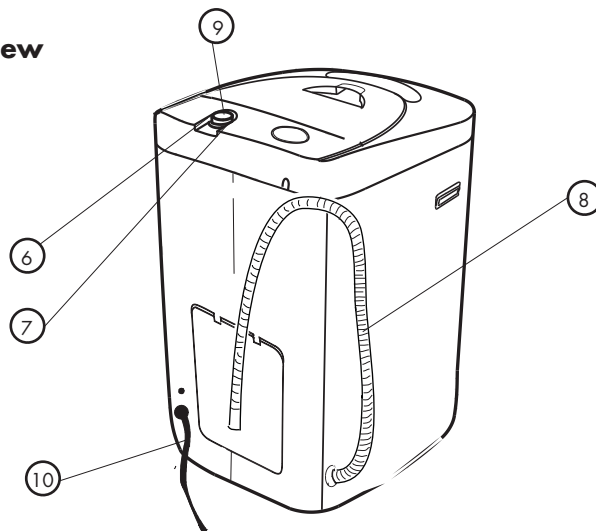
### Front View



- 1. Top Lid
- 2. Control Panel
- 3. Washer Cabinet

- 4. Front Leveling Leg
- 5. Cabinet Handle (located on both sides of the washer)

### Back View



- 6. Water Inlet Fitting
- 7. Rubber Washer
- 8. Drain Hose

- 9. Water Inlet Hose
- 10. Power Cord (120 Volt / 60 Hz)



## CONTROL PANEL

### 1. Power ON/OFF Button

Press in the "Power On/Off" button to turn on the power of the washer.

### 2. Start/Pause Button

With Power "ON" Press the "Start/Pause" button to start washing cycle, pause operation, or resume operation.

### 3. Cycle Button

Choose washing cycle

Normal - Normal Wash

Heavy - Huge and heavy garments

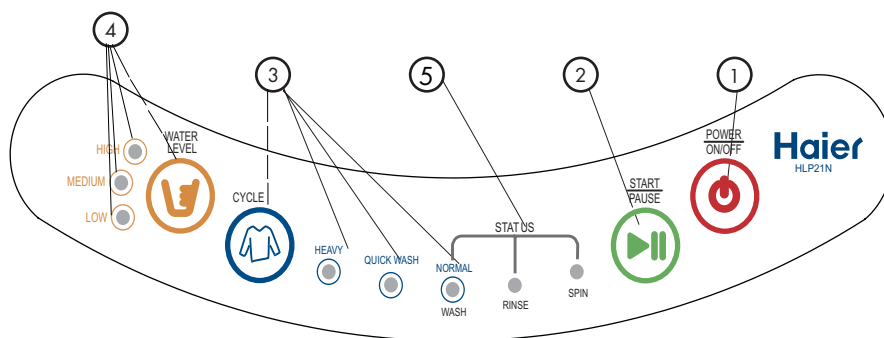
Quick Wash - Small wash loads that are slightly soiled

### 4. Water Level Button

Select water height in drum based on laundry being washed.

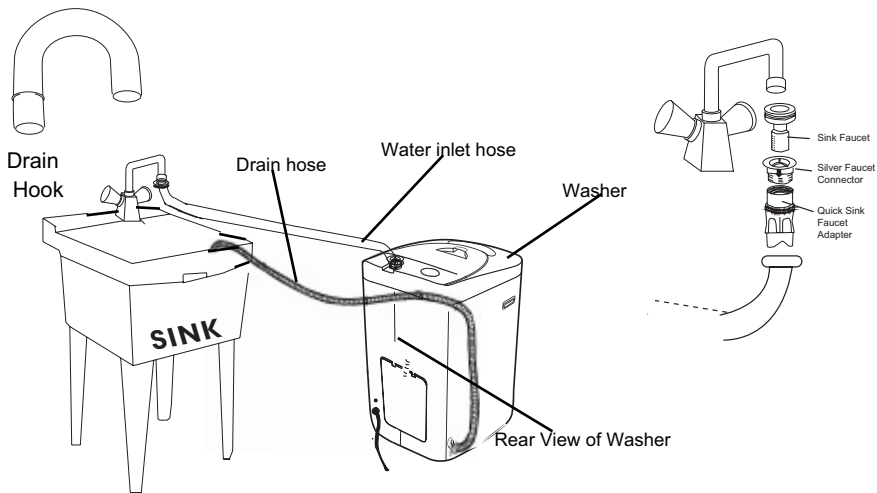
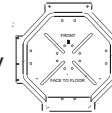
### 5. Status Indicator Lights

Indicates cycle chosen with stages of cycle in operation.



## QUICK SET-UP INSTRUCTIONS FOR NORMAL WASH

1. Locate the best place for using your NEW compact portable washer. Make sure it is near a 120 volt outlet and a water source, like a sink, with a drain.
2. Screw on the bottom plate with the six (6) screws provided.
3. Connect the water inlet hose, using the Quick connect fitting, or directly connect to faucet.
4. Place drain hose in drain or inside the sink using the Drain Hook.



5. Make sure the lint filter is in place. It is installed on the side of the drum.
6. Ensure nothing but clothing is in the washer, then plug power cord into a 15 AMP 110-120 VOLT, 60 HZ GROUNDED OUTLET ONLY.
7. Proceed by pressing the "POWER ON" button.



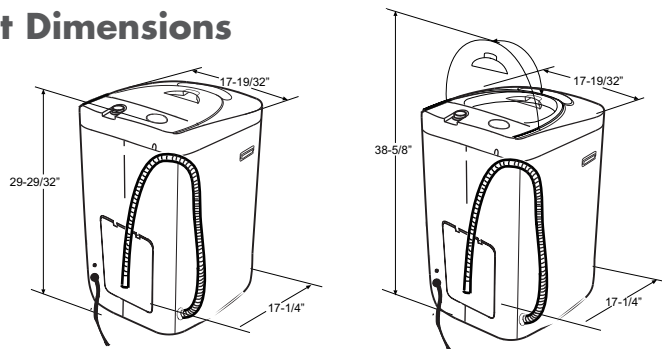
8. Select water height.



9. Select "NORMAL" washing using the "CYCLE" button, then press the "START" button.



## Unit Dimensions



## PROPER LOCATION

- Select a suitable location for the washer on a hard, even surface away from direct sunlight and heat sources (e.g., radiators, baseboard heaters, cooking appliances, etc.).
- Verify the compact washer's measurement with the location you have selected and make sure the washer will fit.
- Make sure you have a grounded 120 volt outlet next to the area of the washer.
- Any floor unevenness should be corrected with the leveling leg located on the bottom right corner of the washer.

## Cold Environments

- The washer must be placed and used at room temperatures ONLY. You must not place the washer where the temperature is at or below freezing or outside.
- This appliance must be stored at room temperature. Do not install or operate this appliance in an area where room temperature is below freezing.
- If you received this appliance when the outside temperature is below freezing, do not operate until this appliance has warmed to room temperature.

## INSTALLATION INSTRUCTIONS

Read carefully and understand all installation instructions before installing this washing machine. If after completing the process you are still unsure whether the washer has been properly installed, we recommend that you contact a qualified installer.



**WARNING:** DO NOT PLUG THE WASHER INTO THE A/C OUTLET until ready for use. Always ensure your appliance is unplugged before installing or changing any parts.

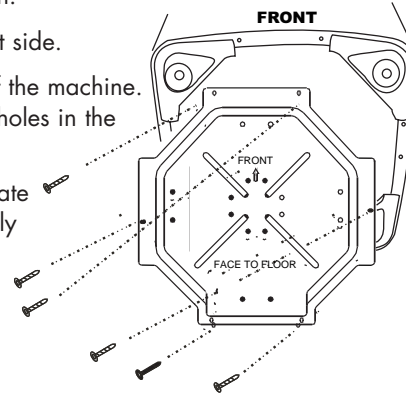
### Installing the Bottom Panel

The bottom panel blocks noises to provide you with the quietest performance possible during the wash cycle operation.

1. First, lay down the washer on its front side.
2. Place the panel against the bottom of the machine.  
Align the holes in the panel with the holes in the washer.

**NOTE:** Please ensure that the bottom plate is positioned properly before permanently screwing to bottom of the washer.

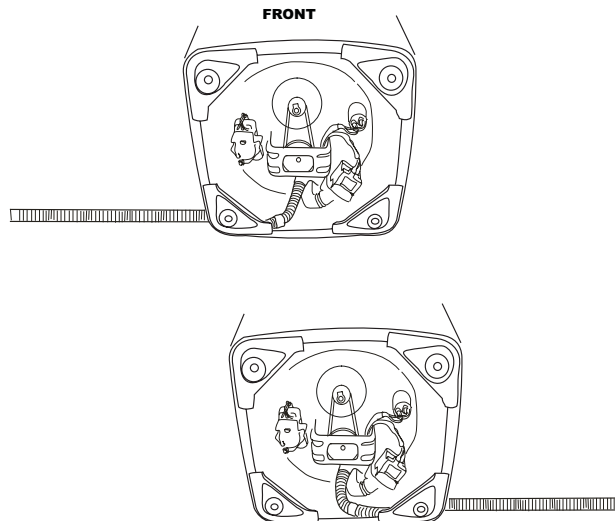
The side marked "face to floor" must be facing you when putting the screws in.  
The end marked "front" must be aligned with front of the washing machine.



**WARNING:** Not facing the bottom plate properly or aligning the bottom plate to the front of washer will cause damage to washer!

3. Insert the screws through the holes of the panel into the bottom of the washer and tighten. (6 screws are supplied.)
4. Once all screws have been installed and the panel is in place, return the washer to its standing position.

**Note:** During this time, you may reroute the drain hose to the left or right side for draining. Just remove hose clamp and snake to other side, then re-insert hose to other side.

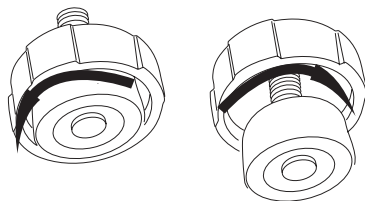


## Leveling the Washer

Your washer has 4 adjustable leveling legs that are located on the front right corner. After properly placing your washer in its final location, you must level the washer.

**Warning!** An "off-balance" washer will not function properly and can stop. Using a level is best practice.

- Loosen the adjustable outer and larger ring of the fixed foot. The leveling leg can be adjusted by turning the center foot counter-clockwise to raise the foot and clockwise to lower the washer. Once the foot is at the right height, then lock that position using the outer and larger ring of the fixed foot.



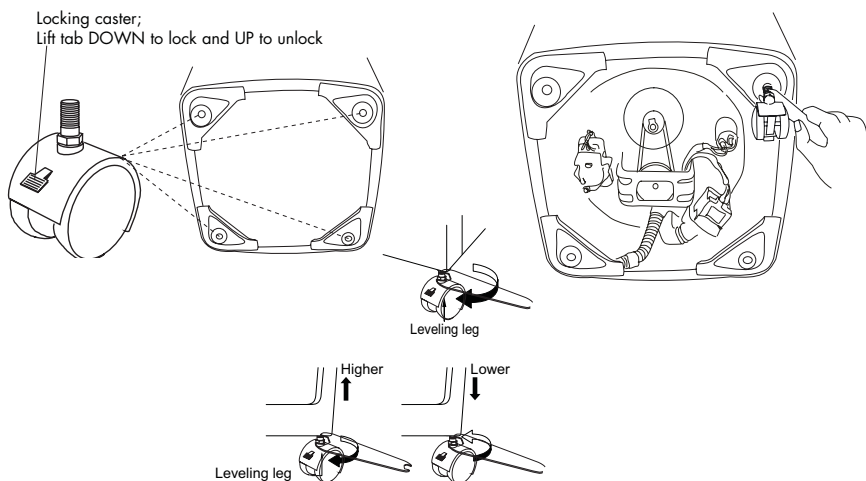
**Note:** If the washer is inclined more than 2°, the machine will not operate.

## Caster Option (when supplied or purchased)

This washer can convert from fixed feet to casters for mobility and portability. The best time to change from fixed feet to casters is when installing the bottom panel.

Unscrew and remove the fixed feet.

Screw each of the 4 casters to the bottom base by hand first, then use a wrench to secure the caster's locking bolt to the washer body.



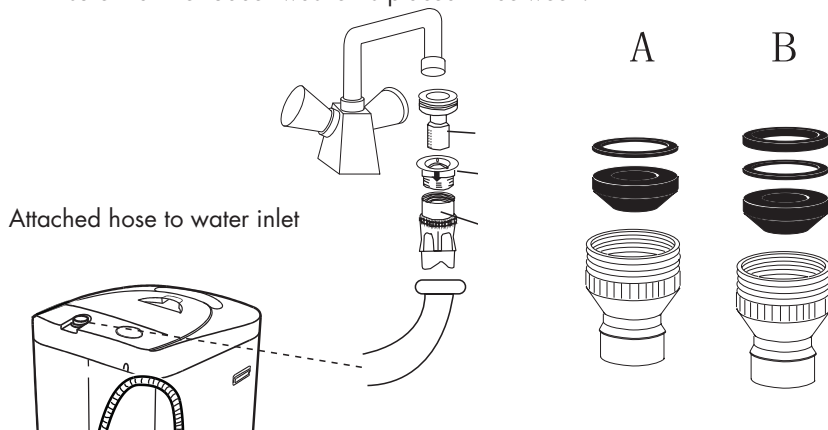
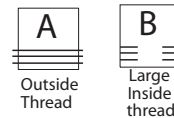
### Installing Your Washer

Read the installation instructions carefully and ensure washer location before beginning.

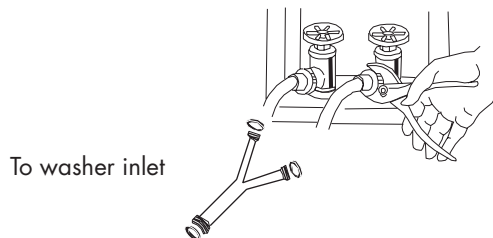
#### Installing Quick Sink Adapter:

When installing the quick sink faucet adapter to the faucet, follow the steps below:

1. First, remove the aerator from your faucet nozzle and determine the size/type of the faucet.
2. Once you determine the size/type of the faucet (Outside Threaded End or Inside Threaded End), place the proper sized rubber washer into the silver faucet adapter.
3. Attach the silver faucet connector to the faucet.
4. Attach the faucet connector to the water inlet hose and make sure that the rubber washer is placed in between.
5. Attach the other end of the water inlet hose to the washer water inlet and make sure that the rubber washer is placed in between.

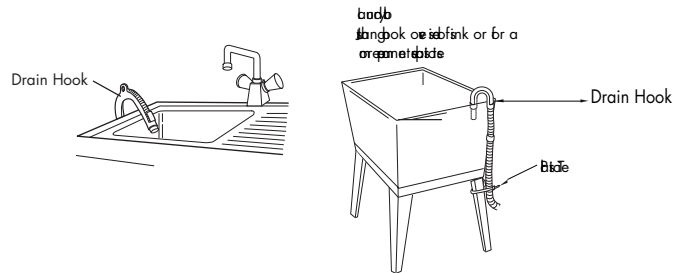


As a second option, you can install directly to a fixed utility hot and cold water outlet by using a "Y Hose" (NOT supplied) .

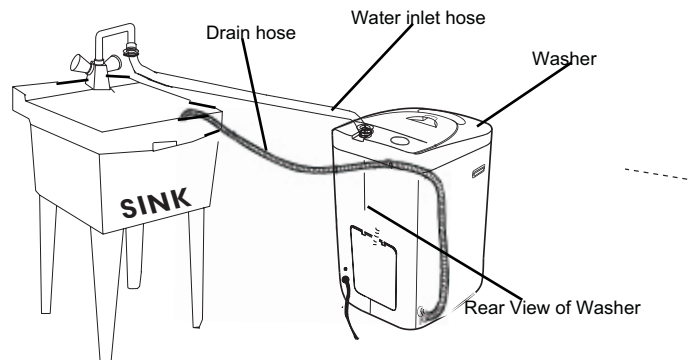


**Note:** Incoming hot water must not exceed 122°F / 50°C.

6. The drain hose must be placed into a drainpipe or sink at least 1-1/2 inches in diameter. Use the gooseneck drain hook to hold the hose in place. To avoid possible water back-up, the drain hose must reach a height of at least 31-1/2 inches minimum and 40 inches maximum.



Final connection of washer to sink should look like this.



7. Plug in the washer to a regular 120 Volt / 60 Hz, 15 Amps outlet, only after all water and drain lines are connected .

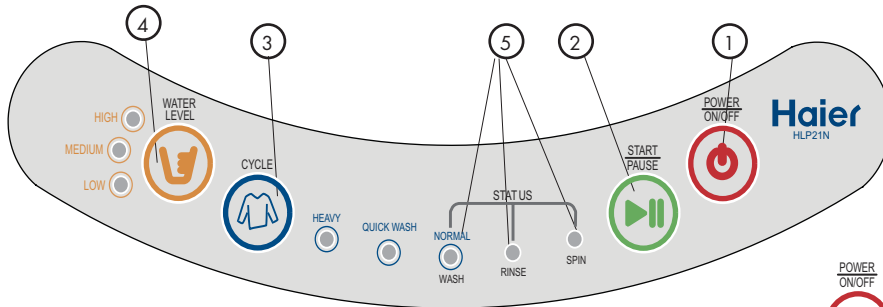
**Note:** Carefully inspect for any leaks around the machine and at the back. If there is a leak, check if any connections are loose. You may need to tighten any loose connections. Do not remove the water absorption cushion. Check before each use to make sure it is not damaged.

**CAUTION!** If after completing these steps you are still unsure whether unit has been properly installed, contact a qualified installer. We recommend that the washer be installed by a certified technician to ensure that it is properly installed.



## OPERATING YOUR WASHER

### The Control Panel



#### Power ON/OFF: (1)

- Press the POWER button once to turn ON the power to the washer. Press it again to turn the power OFF.



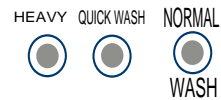
#### Start/Pause: (2)

- Press this button once to start the wash process. Press this button once again to pause the activity during the wash cycle. Push it again to resume the wash cycle.



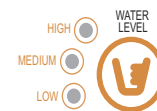
#### CYCLE Select: (3)

- Select your desired cycle program by pressing the "CYCLE Select" button. There are 3 main washing cycles, Normal, Heavy and Quickwash, along with a total of 7 wash operation options. Press the CYCLE select button for the desired setting.



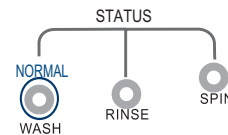
#### Water Level : (4)

- The default water level is set at "MEDIUM" position. Press the Water Level button to select the proper water level setting. You may select from low, medium and high water level settings depending on the wash load.



#### Function and Status Indicator Lights: (5)

- The function display lights indicate that a selected feature is ON or what the cycle is about to begin.
- During the wash cycle, a flashing light indicates the current STATUS of wash/rinse/spin cycle.



**Note:** Rapid flashing indicates that the washer is not operating properly.



### Steps for the Wash Process

1. Turn the power ON by pressing the "ON" button.
2. Press "Cycle Select" to select wash program.
3. Select the water level.
4. Add the detergent.
5. Add the wash load.
6. Press the Start / Pause button.
7. After the washing machine starts, you may change the cycle or program by turning OFF the machine and then restarting to make the new selection.

**Note:** If the washer is turned ON without any water in the tub, it will start to spin after a few minutes. The pulsator will not rotate unless the water is filled to a selected level.

**Note:** Do not use the "HEAVY Wash" program for woolen clothing.

### **Note:** Loading the Washer

- Load each item loosely.
- Separate the white from the colored clothing. Separate heavy fabrics from light fabrics.
- Carefully check all pockets and cuffs for foreign items. They can easily slide into the tub and cause damage to the tub and/or make disturbing noises during cycles.
- Always balance the laundry load evenly within the washer tub, so there is no single heavy areas and all the laundry is evenly distributed.

**Note:** There is a filter in the water inlet valve. This prevents foreign particles in the water from entering the washer. Clean this at least once a month.



### Selecting the Water Level

- There are 3 pre-set water levels to choose from: Low, Medium and High. Your selection may depend on your wash load.



**Recommended Water Levels(The default water level is MEDIUM)**

<b>Load Size in lbs.</b>	<b>Water Level</b>	<b>Approximate Water used in Gallons</b>
3.9	High	7.40
3.44	Medium	5.31
Less than 3.44	Low	3.17

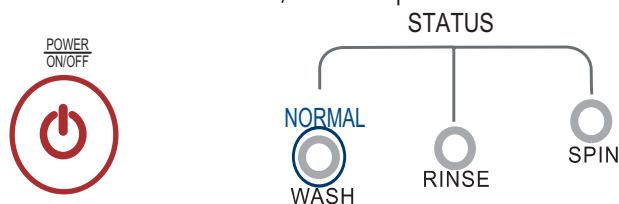
**Note:** Incoming hot water must not exceed 122°F/50°C.

## CHOOSING A CYCLE

### Selecting the Wash Cycle

When you first turn on the POWER, the washer will automatically be set for the **NORMAL wash cycle**, for Wash, Rinse & Spin. The LED indicators will be lit, to show cycle program.

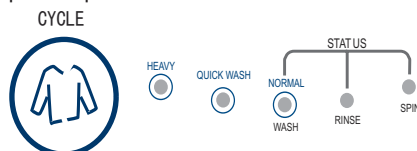
Power ON                      Wash, Rinse & Spin                      Normal Wash



Then press the START button to begin.



- With POWER ON, Press the "CYCLE Select" button for your desired wash cycle. Choose between 7 various washing cycles options. Each time you press the CYCLE button, you will move through the washer's cycle menu. When you finalize your selection, please press the START button.



Program Select	Wash Program	Application
1. Power ON	Normal Wash Cycle	Wash, Rinse & Spin
2. Press Once	Heavy Wash Cycle	Heavy Wash , Rinse, Spin
3. Press Twice	Quick Wash Cycle	Quick Wash , Rinse, Spin
4. Press Three Times	Wash only	No Spin or Rinse
5. Press Four Times	Wash & Rinse only	No Spin
6. Press Five Times	Rinse & Spin only	No Wash
7. Press Six Times	Spin only	No Wash or Rinse

Approximate Wash Times

Wash Program Times	Wash (approx minutes)	Rinse Minutes / Times	Spin (approx minutes)	Total (approx minutes)
<b>NORMAL Wash</b> Wash, Rinse & Spin	13-16	6 / 1	7	35 - 42
<b>Heavy Wash</b> Soak, Wash, Rinse & Spin	26 - 27	12 / 2	7	68 - 82
<b>Quick Wash</b> Wash, Rinse & Spin	5 - 6	5 / 1	5	21 - 28

**Note:**

- The total wash times will vary depending on cycle.
- The total time includes the normal water inlet time and drain time. The total washing time may be affected by the water inlet pressure and water level.
- The spin time is the time from the intermittent running to the finishing of the cycle.
- In the "Quick" program select wash, (fast wash, for delicates) rinse and spin are set automatically. No procedure can be selected after setting.

**Note:** When you turn the power OFF, then ON, the machine will reset to the standard NORMAL wash program with wash/rinse/spin applications.

**End-of-Cycle Signal**

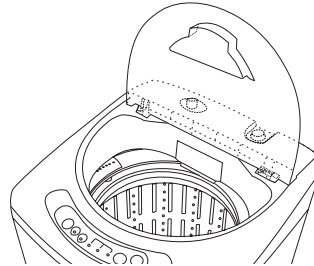
The machine will beep at the end of the cycle, indicating that the washing is complete. The "Spin" indicator lights will still be ON. The washer will turn OFF automatically in approximately 30 seconds after the completion of the cycle.

### Closing the Top Lid

For safety purposes, the top lid must always be closed during the wash process. If you open the top lid while the wash cycle is in progress, you will observe the following:

- An alarm will sound.
- The tub will not spin while the lid is open.
- If the unit is in wash mode, it will stop running.

Simply close the top lid and press the start/pause button to resume the cycle.



### Loading the Washer

- Load each item loosely.
- Separate the white from the colored clothing. Separate heavy fabrics from light fabrics.
- Carefully check all pockets and cuffs for foreign items. They can easily slide into the tub and cause damage to the tub and/or make disturbing noises during cycles.
- Pre-treat all stains and heavily soiled areas for best results.
- Do not overload your washer.
- Close the door or top lid properly after loading the clothes.
- When loading wet items, keep water level high enough to keep the unit in balance and to allow clothing to float easily in the water.

### Proper Use of Detergent

- Fill water in the tub at the "Low" water level.
- Add the detergent.
- Load the washer.
- Select the water level.

**Note:** The amount of detergent used depends on the size of the load, the water type (hard or soft) and whether the clothes are heavily soiled or lightly soiled. Besides the performance of the washing machine, the quality of the detergent also affects the wash result. For best results, use low sudsing detergents only. Refer to the detergent manufacturer's recommended amount for usage.

### Proper Use of Bleach

Refer to the bleach manufacturer's chart for the recommended use of liquid bleach. Dilute the bleach and add it to the water before putting clothes into the washtub.

**Warning!** Be careful not to spill undiluted bleach onto the washer cabinet or onto clothing. It is a strong chemical that may damage your clothes and the finish of the washer if not properly diluted.

## PROPER CARE AND CLEANING

**Warning!** Always unplug your appliance before cleaning to avoid electric shock. Ignoring this warning may result in personal injury or death. Before using cleaning products, always read and follow the cleaning product manufacturer's instructions and warnings to avoid personal injury and product damage.



### General Cleaning and Maintenance

Use only a damp or sudsy cloth to clean the control panel.

- To avoid any kind of damage to the cabinet finish, wipe the appliance cabinet as needed. If liquid/powdered softener, bleach or detergent is spilled onto the cabinet, wipe the cabinet immediately because it may cause damage to the finish.
- Do not use any abrasives, harsh chemicals, ammonia, chlorine bleach, concentrated detergent, solvents or metal scouring pads. Some of these chemicals and materials may dissolve, damage and/or discolor your appliance.
- Remove pins and other sharp objects from clothing to prevent scratches on interior parts.
- The filter screen of the water inlet valve may become blocked by soil and residue. Please clean it with a brush monthly.

### Long Absences / Moving

- Turn OFF the water supply faucets and disconnect the hoses. Drain water from all hoses. This will prevent damage from water leakage if the hoses are accidentally ruptured or if they become loose.
- Disconnect the electrical plug.
- Dry the inner washtub. If moving the washer, disconnect the drain hose.
- To prevent mold and mildew, leave the door open so that the moisture inside the machine can evaporate.
- Reinstall the foam base/Styrofoam at the bottom of the unit to prevent internal parts from becoming damaged due to vibrations and shock when the washer is being moved to another location.

### Normal Operating Sounds

The following sounds are normally heard during the operation of the washer:

- Tumbling sounds can be heard as heavy wet clothes in the washer are tossed around continuously.
- Air rushing noise is the result of the washtub spinning at a very high RPM.
- Clicking sounds are caused by the wash and rinse cycles turning ON and OFF.

## TROUBLESHOOTING GUIDE

Before calling for service, determine the symptoms and follow the suggested solutions:

### **Washer does not operate:**

- Check if the unit is plugged in. The plug may have come loose.
- Check if the electrical wall receptacle is of proper voltage.
- Check if the circuit breaker needs to be reset or if the fuse needs to be replaced.
- Check if the washer is overloaded. Reload and redistribute the clothing to rebalance the machine.
- Check if the door is open. You may have to close the door properly.
- Check if the program selections are set properly. You may have to adjust the settings.
- Check the Power "ON/OFF" button to see if it is in the OFF position. You may need to press the button to set it in the ON position.
- Check if the "Start/Pause" button is on "Pause" mode. Press this button to start the wash process.
- The wash process is paused. This is normal. The clothing sensor is checking to verify that there are clothes inside the washtub. Water will be added approximately 48 seconds later.
- The pulsator pauses during incoming water flow in the wash and rinse cycle. This is normal. This prevents splashing during water inlet.
- The washer may need to be reloaded and the clothes may need to be rebalanced.

### **Problems with water:**

- Not enough water is coming in - The water faucet may need to be fully turned ON. Water hose may be tangled or bent; straighten the hose. Check the water level selection. It may need to be readjusted. This may cause the wash program to pause for a few minutes after water inlet.
- Water leaks - This is due to improper installation of the drain hose or fill hose. Your home drain may be clogged. You may need to tighten the hose, check the plumbing or call a plumber. Water may also leak if the machine is overloaded or if too much detergent is used.
- Water does not drain - This is due to improper installation of the drain hose. You may need to connect the drain hose properly. Check the position of the drain hose. The drain hose may be clogged or bent.
- Water flows out of the drain hose during the first use of the machine - This may be the water left in the tub after the factory inspected the unit to test its performance in order to ensure the best quality.

**Washer makes noises:**

- Washer may need to be reinstalled and leveled. Refer to the washer installation section.
- Wash load may need to be rebalanced, as the load may be uneven.
- Coins, loose change, buttons or other heavy objects may be making the noise.
- A squeaking sound may be due to an overloaded wash tub.
- Vibration noises are due to an improper leveling of the washer or an uneven distribution of clothing in the tub.

**Problems with clothing:**

- Clothes are too wrinkled – Clothes have been improperly sorted or the machine has been overloaded. Do not mix heavy clothes such as work clothes with light clothes such as blouses, light shirts and delicate items.
- Clothes have soap residue – The detergent may not be dissolving in the water. Check the water temperature or add detergent as the washtub is being filled with water (before you load your clothes) to avoid soap residue on clothes. Liquid detergent is recommended.
- Clothes are ripped or have holes - Sharp objects such as pins and belt buckles were left in the washtub. You must remove small, loose, sharp objects. Fasten belts, zippers, metal snaps etc. Check if you are using undiluted bleach. Never add undiluted bleach to the wash.

**Other:**

- The spinning is intermittent when it starts – The laundry needs to be balanced to avoid slanting. Move the laundry around to equalize the load.
- The "Spin" does not work in Program Select – The program is setting the drain time. Spinning will start in a few minutes.
- During the final spinning, it stops, the "Rinse" indicator lights up and the washer starts to fill with water – The wash load is slanting on one side. After the water is filled, the slanting will be removed and the spinning will be reactivated.



## LIMITED WARRANTY

**In -Home Service is available at the discretion of Haier America.**

### Full ONE Year Warranty

For 12 months from the date of original retail purchase, Haier will repair or replace any part free of charge including labor that fails due to a defect in materials or workmanship.

### Limited Warranty

After one year from the original retail purchase date, Haier will provide a part at no cost, as indicated below, to replace said part as a result of a defect in materials or workmanship. Haier is solely responsible for the cost of the part. All other costs such as labor, trip charge, etc are the responsibility of the owner.

### Second through Fifth Year

Haier will provide the outer washtub and related outer tub assembly parts should the part fail to hold water.

### Second through Seventh Year

Haier will provide the inner stainless steel wash tub if defective in material or workmanship.

**Note:** This warranty commences on the date the item was purchased and the original purchase receipt must be presented to the authorized service representative before warranty repairs are rendered.

**Exceptions:** Commercial or Rental Use Warranty

**90 days labor from date of original purchase**

**90 days parts from date of original purchase**

**No other warranty applies**

### For Warranty Service

Contact your nearest authorized service center. All service must be performed by a Haier authorized service center. For the name and telephone number of the nearest authorized service center please call 1-877-337-3639.

### Before calling please have available the following information:

Model number and serial number of your appliance. The name and address of the dealer you purchased the unit from and the date of purchase.

A clear description of the problem.

A proof of purchase (sales receipt).

**This warranty covers appliances within the continental United States, Puerto Rico and Canada. What is not covered by this warranty:**

Replacement or repair of household fuses, circuit breakers, wiring or plumbing.  
A product whose original serial number has been removed or altered.  
Any service charges not specifically identified as normal such as normal service area or hours.  
Damage to clothing.  
Damage incurred in shipping.  
Damage caused by improper installation or maintenance.  
Damage from misuse, abuse accident, fire, flood, or acts of nature.  
Damage from service other than an authorized Haier dealer or service center.  
Damage from incorrect electrical current, voltage or supply.  
Damage resulting from any product modification, alteration or adjustment not authorized by Haier.  
Adjustment of consumer operated controls as identified in the owner's manual.  
Hoses and all attachments, accessories and

Labor, service transportation, and shipping charges for the removal and replacement of defective parts beyond the initial 12-month period.  
Damage from other than normal household use.  
Any transportation and shipping charges.

**THIS LIMITED WARRANTY IS GIVEN IN LIEU OF ALL OTHER WARRANTIES, EXPRESSED OR, INCLUDING THE WARRANTIES OF MERCHANTABILITY AND FITNESS FOR A PARTICULAR PURPOSE**

The remedy provided in this warranty is exclusive and is granted in lieu of all other remedies.

This warranty does not cover incidental or consequential damages, so the above limitations may not apply to you. Some states do not allow limitations on how long an implied warranty lasts, so the above limitations may not apply to you.

This warranty gives you specific legal rights, and you may have other rights, which vary, from state to state.

Haier America  
New York, NY 10018



Welcome to the world of Haier  
Compact Portable Laundry!

The HLP140 is a Vented Dryer that  
mounts over any of Haier's family of  
Compact Portable washers.

- Efficient, Compact and Portable
- Easy Installation and Use
- Uses Convenient Standard  
120VAC -15 amp Outlets
- You can install them anywhere!  
The perfect Compact Dryer for  
your Compact washer.



Compact 120Volt Vented Dryer

Model: HLP140

2.6 Cu. ft.

Portable Vented Tumble Dryer

- 1100 Watt Efficient Vented Tumble Dryer
- Uses Convenient Standard 120VAC -15 amp Outlet
- Digital Easy Touch Control
- 4 Dry Cycle Settings / 3 Temperature Settings
- End-of-Cycle Signal
- Dry Times: 30, 60, 90, 120, and 150 minutes
- Wall-Mountable Above Any Washer
- Plugs into Any Household Outlet  
Uses Standard 120 volt - 15 Amp Outlets  
No Special Wiring

Unit Dimensions (WxDxH): 24.8" x 16.73" x 26.97"



Dryer NOT included;available through  
your retailer

## DEBALLAGE DE VOTRE LAVEUSE



1. Retirez tous les matériaux d'emballage dont la mousse et les adhésifs qui retiennent les accessoires à l'intérieur de la laveuse et à l'extérieur.
2. Vérifiez et retirez tous les restes d'emballage, adhésif ou documentation avant d'utiliser la laveuse.

# DANGER

**Risque de suffocation et de confinement des enfants**  
**Avant de jeter votre vieil appareil, retirez la porte pour que les enfants ne puissent pas grimper facilement à l'intérieur et se retrouver bloqués.**

## ENREGISTREMENT DU PRODUIT

Merci d'avoir choisi ce produit Haier. Ce guide facile à utiliser vous permettra d'utiliser votre laveuse au maximum de ses capacités.

N'oubliez pas de noter le modèle et le numéro de série. Ils sont au dos de votre laveuse.

\_\_\_\_\_  
*Numéro du modèle*

\_\_\_\_\_  
*Numéro de série*

\_\_\_\_\_  
*Date d'achat*

Agrafez votre reçu à votre mode d'emploi.

**Vous en aurez besoin pour faire valoir votre garantie.**

Faites l'enregistrement de votre produit en ligne  
[www.prodregister.com/haier](http://www.prodregister.com/haier)

# CONSIGNES DE SÉCURITÉ IMPORTANTES

**AVERTISSEMENT – Afin d'éviter les risques d'incendie, de décharge électrique ou de blessures lors de l'utilisation de cet appareil respectez les précautions d'utilisation de base, dont les suivantes :**

1. **Lisez toutes les instructions attentivement avant d'utiliser cet appareil.**
2. Utilisez uniquement cet appareil pour les fonctions prévues et décrites dans ce guide d'utilisation et d'entretien.
3. Utilisez uniquement des lessives et adoucissants recommandés pour être utilisés dans une laveuse et tenez-les hors de portée des enfants.
4. Cet appareil doit être installé conformément aux instructions d'installation avant de l'utiliser.
5. Ne débranchez pas votre laveuse en tirant sur le cordon d'alimentation. Débranchez en retirant la fiche de la prise murale.
6. Remplacez immédiatement cordon d'alimentation usé et fiches lâches.
7. Débranchez votre laveuse avant nettoyage ou réparations.
8. Si vous n'utilisez pas votre vieille laveuse nous vous conseillons de retirer la porte. Cela réduira les dangers pour les enfants.
9. N'utilisez pas votre laveuse en présence de flammes explosives.
10. N'utilisez pas la laveuse pour laver des vêtements qui ont été lavés, nettoyés, trempés ou détachés avec de l'essence, des solvants secs ou d'autres produits inflammables car leurs vapeurs peuvent créer un départ de feu ou une explosion.
11. Les vêtements ou tapis utilisés pour nettoyer des matériaux inflammables ou explosifs ne doivent pas être lavés dans la laveuse jusqu'à ce que les traces de ces matériaux aient disparus.
12. N'ajoutez pas et ne mélangez pas des substances inflammables ou explosives au lavage.
13. N'essayez pas de retirer des vêtements de la laveuse lorsque la cuve est en train de tourner.
14. La porte la laveuse doit être fermée lorsque la cuve est en train de tourner.
15. N'utilisez pas la laveuse lorsque des pièces ou des composants sont cassés ou manquants.
16. N'utilisez pas la laveuse pour une utilisation commerciale.
17. N'utilisez pas la laveuse sans que toutes les parois soient bien en place.

18. Ne jouez pas avec les réglages de la laveuse.
19. Afin de réduire les risques de blessures ne laissez pas les enfants jouer dans ou sur la laveuse.
20. La laveuse doit être correctement mise à la terre avec l'alimentation électrique adéquate.
21. Cet appareil est équipé d'une fiche polarisée avec trois lames pour votre protection contre d'éventuelles décharges électriques. **NE COUPEZ OU RETIREZ EN AUCUN CAS LA TROISIEME LAME DU CORDON D'ALIMENTATION.**

**Note:** La fiche doit être entrée dans la prise de courant. Si la prise de courant est prévue pour deux lames faites appel à un électricien agréé pour l'installation de la bonne prise. La prise murale **DOIT** être correctement mise à la terre.

22. De l'hydrogène peut être produit si le chauffe-eau n'a pas été utilisé pendant plus de 2 semaines. Cela peut causer une explosion dans certaines circonstances. Si cela se produit avant d'utiliser la laveuse ouvrez les robinets d'eau chaude et laissez-la couler pendant quelques minutes. Pour éviter les accidents durant ce processus ne mettez aucun appareil électrique **EN MARCHE**, ne fumez pas, n'allumez pas une cigarette ou un briquet et n'utilisez pas de flammes.
23. Ne réparez pas et ne remplacez aucune pièce de cet appareil et n'essayez pas de l'entretenir à moins que ce ne soit spécifiquement recommandé dans les instructions de réparations et que vous compreniez ces instructions et êtes capable de les suivre.

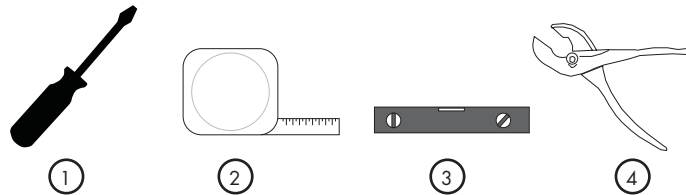
**Note:** Si pour quelle que raison que ce soit ce produit a besoin d'être entretenu nous vous recommandons de faire appel à un technicien agréé pour s'en occuper.

24. Afin d'éviter tout risque de choc électrique, n'utilisez pas de rallonges ou d'adaptateurs pour connecter l'unité à une source électrique.

**CONSERVEZ CES CONSIGNES  
A USAGE DOMESTIQUE UNIQUEMENT**

### Outils et matériels nécessaires

Vous aurez besoin d'utiliser les outils suivants pour installer votre laveuse:



1. Tournevis Philips
2. Ruban à mesurer - Vérifier les dimensions de l'emplacement de la laveuse
3. Niveau - pour équilibrer la laveuse
4. Pince - Pour stabiliser l'arrivée du tuyau

## CONSIGNES DE SECURITE

### Besoins électriques

#### Instructions de mise à la terre



#### AVERTISSEMENTS:

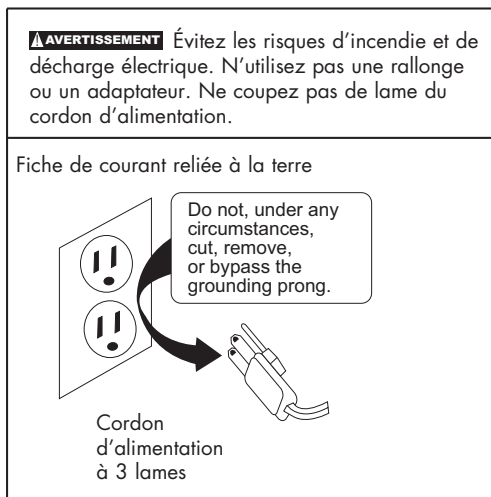
Cet appareil doit être mis à la terre. Il est équipé d'une fiche polarisée avec 3 lames. La fiche doit être entrée dans la prise de courant correctement mise à la terre.

**Avertissement!** Une mauvaise utilisation de la fiche polarisée peut poser un risque de décharge électrique. N'essayez pas de modifier la fiche.

Évitez d'utiliser une rallonge car elle peut surchauffer et causer un incendie.

Cependant, si vous devez utiliser une rallonge :

- A. Utilisez uniquement une rallonge à trois lames.
- B. La tension de la rallonge doit être supérieure ou égale à celle de l'appareil.
- C. Elle doit être placée de façon à ne pas pendre au-dessus du comptoir ou du plan de travail où elle peut être tirée par les enfants ou où ils pourraient trébucher dessus.



#### En cas de nettoyage ou entretien:

Afin de limiter les risques de décharge électrique, débranchez cet appareil de la prise murale ou déconnecter la sècheuse en retirant le fusible ou en éteignant le disjoncteur avant de tenter de nettoyer ou réparer l'appareil (sauf pour le nettoyage ou le retrait du filtre à peluches).

**Remarque:** Appuyer sur le bouton **ON/OFF (Marche/Arrêt)** pour arrêter l'appareil ou appuyer sur le bouton **Start/PAUSE (Début/PAUSE)** NE déconnecte PAS l'appareil.

#### Besoins de branchement

- Cet appareil doit être branché dans une prise d'au moins 15 A, 110-120 volts, 60 Hz.

**TABLE DES MATIÈRES**

	<b>PAGE</b>
<b>DÉBALLAGE DE VOTRE LAVEUSE</b> .....	<b>1</b>
<b>IMPORTANTES CONSIGNES DE SÉCURITÉ</b> .....	<b>2-5</b>
<b>DÉBALLAGE ET VÉRIFICATION DES PIÈCES</b> .....	<b>7</b>
<b>PIÈCES ET CARACTÉRISTIQUES</b> .....	<b>8</b>
<b>TABLEAU DE COMMANDE</b> .....	<b>9</b>
<b>INSTRUCTIONS D'INSTALLATION</b> .....	<b>11</b>
<b>FONCTIONNEMENT DE VOTRE LAVEUSE</b> .....	<b>16</b>
<b>CHOIX DU CYCLE</b> .....	<b>19</b>
<b>GUIDE DE NETTOYAGE ET ENTRETIEN</b> .....	<b>22</b>
<b>PROBLÈMES ET SOLUTIONS</b> .....	<b>24</b>
<b>GARANTIE LIMITÉE</b> .....	<b>27</b>



## DÉBALLAGE ET VÉRIFICATION DES PIÈCES



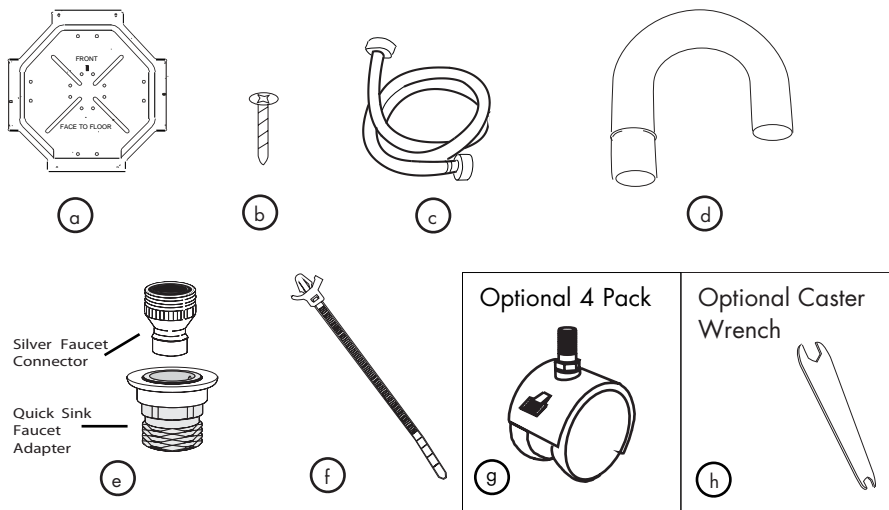
### Déballage

1. Retirez tous les matériaux d'emballage. Cela inclut la mousse et les bandes adhésives à l'extérieur comme à l'intérieur de la laveuse. Faites sortir la laveuse et retirez le Styrofoam au bas de l'appareil qui est utilisé pour protéger la laveuse des vibrations et chocs pendant le transport.
2. Vérifiez que tout est bien retiré : restes d'emballage, ruban adhésif ou documentation avant d'utiliser la laveuse.

**Note:** Le panneau inférieur est situé entre la mousse supérieure utilisée pour la protection et le carton.

### Pièces

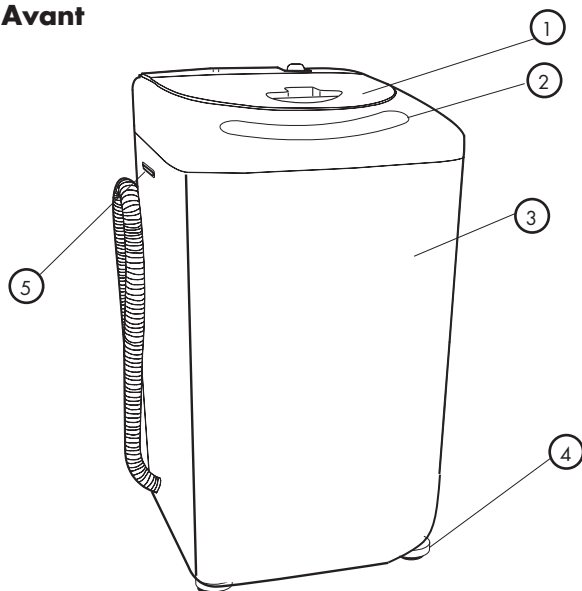
- |                                    |                               |
|------------------------------------|-------------------------------|
| a) 1 Panneau inférieur             | e) 1 Adaptateur pour évier    |
| b) 6 Vis pour le plateau inférieur | f) 2 colliers de verrouillage |
| c) 1 Tuyau d'entrée de l'eau       | g)                            |
| d) 1 Crochet de vidange            | h) 1 Clé                      |



Vérifiez que vous avez les accessoires et qu'ils sont en bon état. S'ils manquent ou s'ils ne sont pas en bon état, veuillez contacter notre Service Clients. Ils seront en mesure de vous aider. **Notre numéro sans frais est le 1-877-337-3639.**

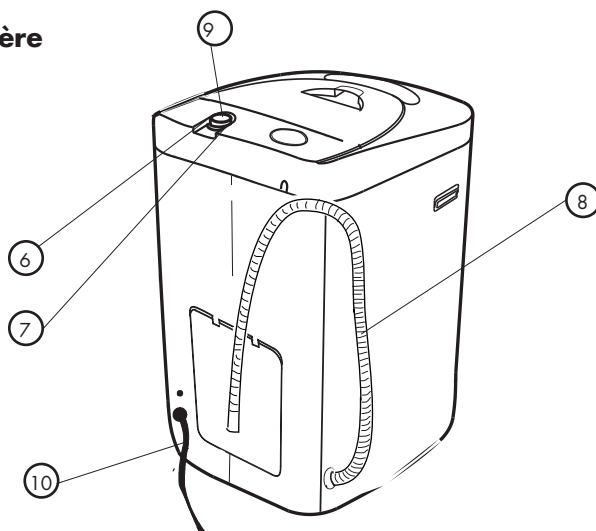
## PIÈCES DE LA LAVEUSE ET CARACTÉRISTIQUES

### Vue Avant



- 1. Couvercle supérieur
- 2. Tableau de commande
- 3. Carrosserie de la laveuse
- 4. Pieds réglables avant
- 5. Poignée de la carrosserie (située sur les deux côtés de la laveuse)

### Vue arrière



- 6. Raccord d'entrée d'eau
- 7. Rondelle en caoutchouc
- 8. Tuyau de ventilation
- 9. Tuyau d'entrée de l'eau
- 10. Cordon d'alimentation (120 volts/ 60 Hz)

## TABLEAU DE COMMANDE

### 1. Bouton de marche ON/OFF

Appuyez sur le bouton « Power On/Off » pour mettre la laveuse en marche.

### 2. Bouton Start/Pause

Avec la machine allumée, « ON », appuyez sur le bouton « Start/Pause » pour commencer le cycle de lavage, mettre sur pause ou reprendre le fonctionnement de la machine.

### 3. Bouton de cycle

Choisissez le cycle de lavage

Normal – Lavage normal

Lourd – Vêtements larges et lourds

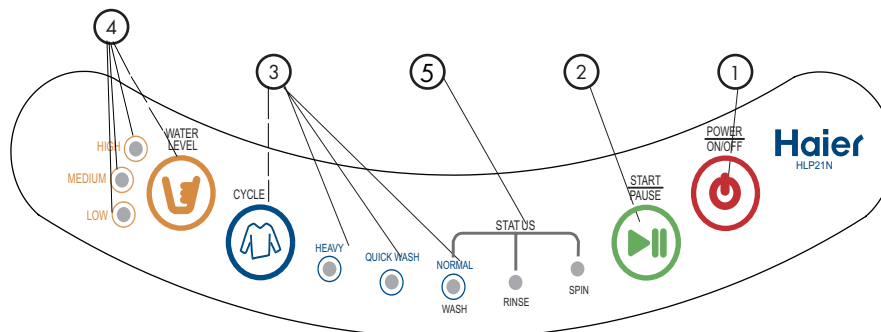
Lavage rapide – Pour des vêtements de petite taille qui ne sont pas très sales

### 4. Bouton de niveau d'eau

Sélectionne le niveau de l'eau dans la cuve en fonction de ce que vous lavez.

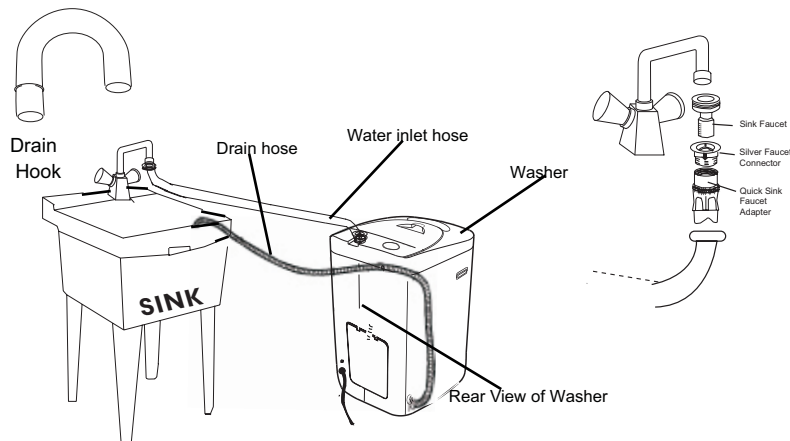
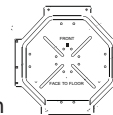
### 5. Voyant lumineux indicateurs de l'état d'avancement

Indique le cycle choisi avec les étapes du cycle en cours.



## INSTRUCTIONS DE RÉGLAGE POUR UN LAVAGE NORMAL

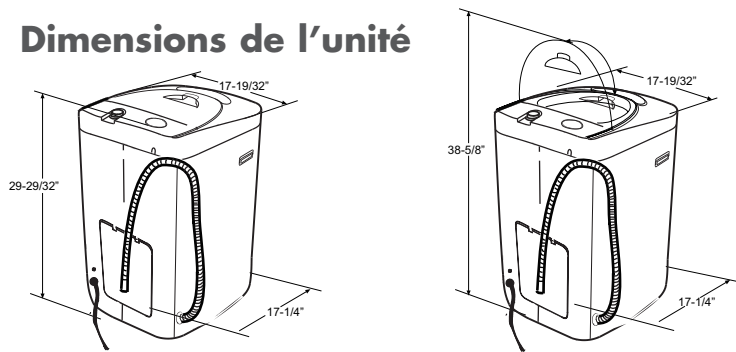
1. Trouvez le meilleur endroit pour utiliser votre NOUVELLE laveuse portable compacte. Assurez-vous qu'elle est près d'une prise murale de 120 volts et d'une source d'eau, comme évier, goulot de vidange.
2. Vissez le plateau inférieur avec les six (6) vis fournies.
3. Connectez le tuyau d'entrée de l'eau, en utilisant le raccord de connexion rapide ou en connectant directement à l'évier.
4. Placez le tuyau de vidange dans le goulot de vidange ou dans l'évier en utilisant le crochet du goulot de vidange



5. Assurez-vous que le filtre à peluches est bien en place. Il est installé sur le côté du tambour.
6. Assurez-vous qu'il n'y a rien d'autre que des vêtements dans la laveuse, puis branchez le cordon d'alimentation **UNIQUEMENT** dans une prise murale de 110-120 VOLTS, 60 HZ MISE À LA TERRE.
7. Appuyez ensuite sur le bouton "POWER ON".
8. Sélectionnez la hauteur de l'eau.
9. Sélectionnez le lavage « NORMAL » en utilisant le bouton "CYCLE", appuyez sur le bouton "START".



## Dimensions de l'unité



## LE BON EMPLACEMENT

- Sélectionnez un emplacement convenable pour la laveuse sur une surface solide, plane et loin de toute source directe du soleil et de sources de chaleur (exemple : radiateurs, plinthes électriques, appareils de cuisson, etc.)
- Vérifiez les mesures de la laveuse compacte avec l'emplacement que vous avez sélectionné et assurez-vous que cela correspond.
- Assurez-vous que vous avez une prise murale de 120 volts près de l'emplacement choisi pour la laveuse.
- Si le plancher n'est pas plat il faut changer cela en utilisant les pieds réglables situés à droite, au bas de la laveuse.

## Environnements froids

- La laveuse doit être placée et utilisée à température ambiante **UNIQUEMENT**. Ne placez pas la laveuse dans un lieu où la température est égale ou inférieure au gel ou à l'extérieur.
- Cette laveuse doit être placée et utilisée à température ambiante. Ne l'installez pas et ne l'utilisez pas dans un lieu où la température ambiante est inférieure au gel.
- Si vous avez reçu cet appareil lorsqu'il gelait dehors, ne le faites pas fonctionner jusqu'à ce que l'appareil se soit réchauffé et ait atteint la température ambiante.

## INSTRUCTIONS D'INSTALLATION

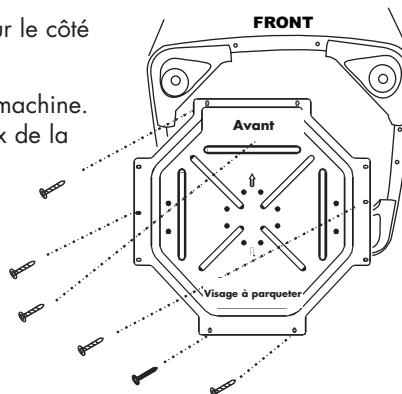
Lisez attentivement toutes les instructions et comprenez toutes les installations d'instructions avant d'installer la laveuse. Si après avoir terminé l'installation vous ne savez toujours pas si la laveuse a été installée correctement nous vous recommandons de contacter un installateur agréé.

## Étape 1

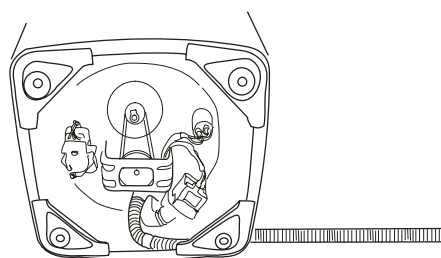
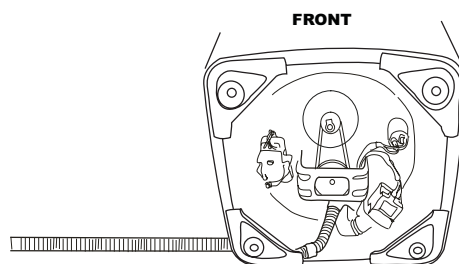
### Installation du panneau inférieur

Le panneau inférieur bloque les bruits afin de vous offrir la performance la moins bruyante possible durant le cycle de lavage.

1. Pour commencer, couchez la laveuse sur le côté avant.
2. Placez le panneau contre le bas de la machine. Alignez les trous du panneau avec ceux de la laveuse.
3. Insérez les vis à travers les trous du panneau dans le bas de la laveuse et serrez les vis. (6 vis sont fournies)
4. Une fois que toutes les vis ont été installées et que le panneau est en place, remettez la laveuse à l'endroit.



**Remarque:** Pendant ce temps, vous devrez sûrement placer le tuyau de vidange sur le côté gauche ou sur le côté droit pour la vidange.

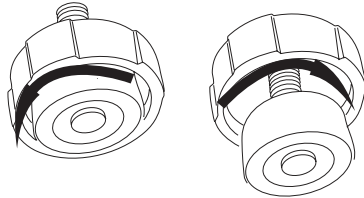


### Mise à niveau de la laveuse

Votre laveuse a un pied réglable ajustable qui est situé au coin avant de la machine. Après avoir correctement placé votre laveuse là où elle sera utilisée, vous devez mettre la laveuse à niveau.

**Avertissement!** Une laveuse qui n'est pas bien en place, pas bien en équilibre ne fonctionnera pas correctement et peut s'arrêter. La mettre à niveau est la meilleure chose à faire.

- Desserrez l'anneau extérieur et le plus large du pied fixe. Le pied réglable peut être ajusté en tournant le pied central dans le sens inverse des aiguilles d'une montre pour élever le pied et dans le sens des aiguilles d'une montre pour abaisser la laveuse. Une fois que le pied est à la bonne hauteur, bloquez cette position en utilisant l'anneau extérieur et le plus large du pied fixe. Cela doit être fait pour tous les pieds de la laveuse.

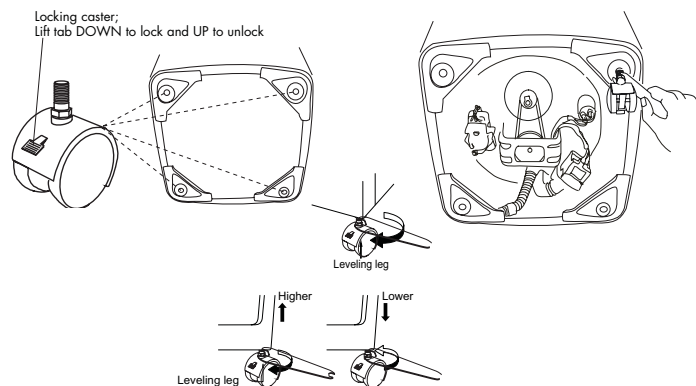


**Remarque:** Si la laveuse est inclinée à plus de 2°, la machine ne fonctionnera pas.

### Option roulettes (optionnel – non inclus avec la laveuse standard)

La laveuse peut être convertie des pieds fixes aux roulettes pour plus de mobilité et de portabilité. Le mieux est de faire ce changement : passer des pieds fixes aux roulettes est lorsque vous installez le panneau inférieur. Unscrew and remove the fixed feet.

Vissez les quatre roulettes à la base inférieure à la main pour commencer, utilisez ensuite une clé pour sécuriser les verrous de blocage des roulettes au corps de la laveuse.



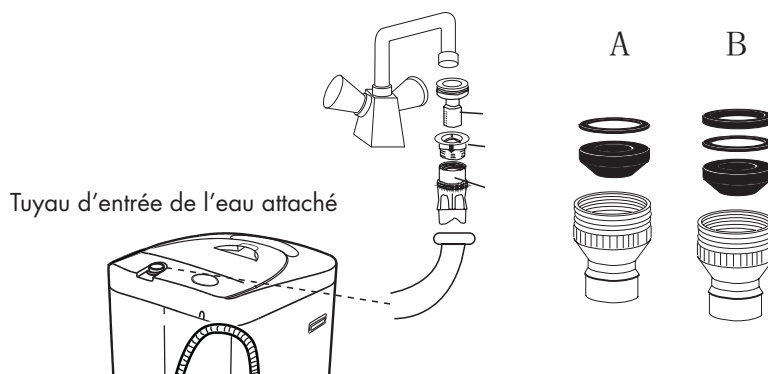
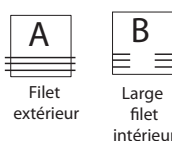
## Installation de votre laveuse

Lisez attentivement les instructions d'installation et assurez-vous de l'emplacement de la laveuse avant de commencer.

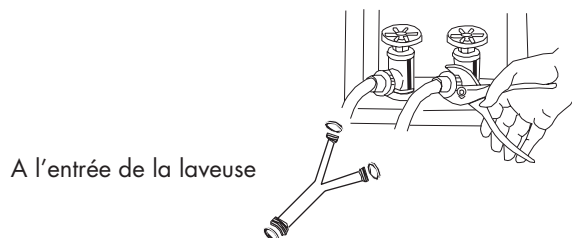
### Installation de l'adaptateur du robinet de l'évier:

Lorsque vous installez l'adaptateur du robinet de l'évier à l'évier, suivez les étapes suivantes:

1. Pour commencer, retirez l'aérateur du gicleur du robinet et déterminez la taille/le type du robinet.
2. Une fois que vous avez déterminé la taille/le type du robinet (Extrémité extérieure à visser ou Extrémité intérieure à visser), placez la rondelle en caoutchouc sur l'adaptateur du robinet argenté.
3. Attachez le connecteur argenté du robinet au robinet.
4. Attachez le connecteur argenté du robinet au tuyau d'entrée de l'eau et assurez-vous que la rondelle en caoutchouc est placée entre les deux.
5. Attachez l'autre extrémité du tuyau d'entrée de l'eau à l'entrée d'eau de la laveuse et assurez-vous que la rondelle en caoutchouc est placée entre les deux.



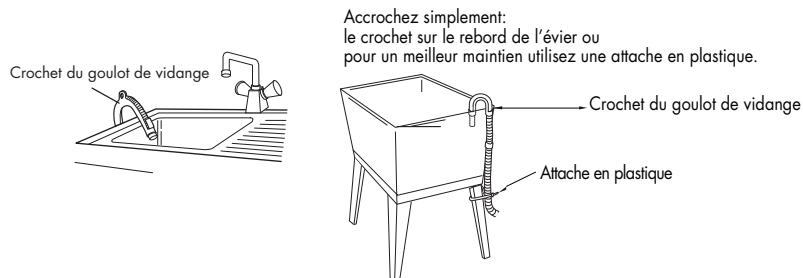
La seconde option est d'installer directement à une prise d'eau chaude et froide fixe en utilisant un "Tuyau Y" (NON fourni).



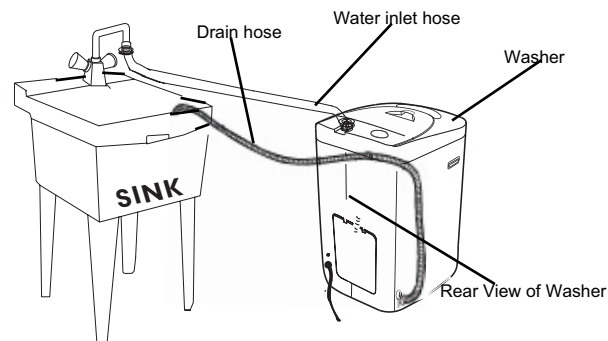
**Note:** L'eau chaude entrant ne doit pas dépasser



6. Le tuyau de vidange doit être placé dans un tuyau d'évacuation ou au moins un évier de 1-1/2 pouces/ 12,7 mm de diamètre. Utilisez le raccord du col de cygne pour maintenir le tuyau en place. Pour éviter le retour de l'eau, le tuyau de vidange doit atteindre une hauteur d'au moins 31-1/2 pouces/ 77,5 cm minimum et 40 pouces/101,5 mm maximum.



La connexion finale de la laveuse à l'évier devrait ressembler à cela.



7. Branchez la laveuse dans une prise standard 115 volts / 60 Hz, 15 ampères, uniquement après que les lignes d'eau et de vidange soient connectées.

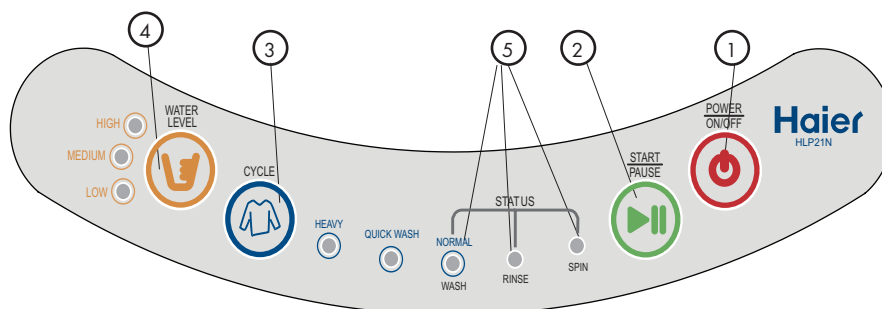
**Remarque:** Inspectez attentivement pour voir s'il y a des fuites autour de la machine et à l'arrière. S'il y a une fuite, vérifiez si les connexions sont lâches. Ne retirez pas le coussin d'absorption de l'eau. Vérifiez avant chaque utilisation pour vous assurer qu'il n'est pas endommagé.

**ATTENTION!** Si après avoir effectué ces étapes vous n'êtes toujours pas sûr que l'appareil a été bien installé, contactez un installateur agréé. Nous recommandons que la laveuse soit installée par un technicien agréé pour assurer qu'elle est correctement installée.



## FONCTIONNEMENT DE VOTRE LAVEUSE

### Le tableau de commande



#### Power ON/OFF Bouton Marche/Arrêt: (1)

- Appuyez sur le bouton Power ON/OFF pour mettre la laveuse en marche. Appuyer de nouveau sur le bouton arrêtera la machine.

#### Start/Pause: (2)

- Appuyez sur le bouton Start/Pause pour commencer le cycle de lavage, mettre sur pause ou reprendre.

#### Sélection du CYCLE: (3)

- Sélectionnez le programme de cycle désiré en appuyant sur le bouton « CYCLE Select ». Il y a 3 cycles principaux de lavage, Normal, Lourd et Lavage Rapide avec un total de 7 options de lavage. Appuyez sur le bouton de sélection du CYCLE pour le réglage désiré.

#### Niveau de l'eau: (4)

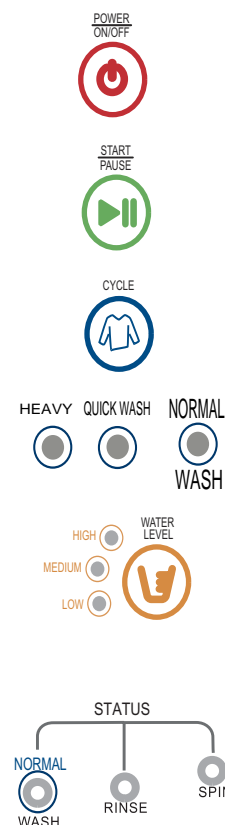
- Le niveau d'eau par défaut est réglé sur la position "Medium/Moyen". Appuyez sur le bouton du niveau d'eau pour sélectionner le niveau d'eau adéquat. Vous pouvez choisir le niveau d'eau entre bas, moyen et élevé selon ce que vous lavez. Il y a aussi un choix MANUEL en appuyant sur le bouton dans la position manuelle jusqu'à ce que le niveau d'eau soit atteint.

#### Fonction et état des voyants lumineux (5)

- Voyant lumineux clignotant – indique que le programme sélectionné est en cours de fonctionnement et que le cycle est sur le point de commencer.
- Durant le cycle de lavage, un voyant lumineux clignotant indique l'ÉTAT du cycle de lavage/rinçage/essorage.

**Remarque:** Un clignotement rapide indique que la laveuse ne fonctionne pas correctement.

16



## Étapes du processus de lavage

1. Mettez l'appareil en marche en appuyant sur le bouton "ON".
2. Appuyez sur « Cycle Select » Sélection Cycle, pour sélectionner le programme de lavage.
3. Sélectionnez le niveau d'eau.
4. Ajoutez le détergent.
5. Ajoutez les vêtements à laver.
6. Appuyez sur le bouton Start/Pause.
7. Après que la machine ait commencé, vous pouvez changer le Cycle ou le programme en appuyant sur OFF et en recommençant en choisissant une nouvelle sélection.

**Remarque:** Si la laveuse est sur ON et qu'il n'y a pas d'eau dans le tube, elle va commencer à essorer après quelques minutes. Le pulsateur ne tournera pas s'il n'y a pas de suffisamment d'eau à un niveau sélectionné.

**Remarque:** N'utilisez pas le programme « Heavy Wash ». Lavage Lourd pour des vêtements en laine.

## Chargez la laveuse

- Placez chaque vêtement dans la machine séparément.
- Séparez les vêtements blancs des couleurs. Séparez les vêtements lourds des vêtements légers.
- Vérifiez attentivement toutes les poches et revers des vêtements pour vérifier qu'il n'y a pas d'objets oubliés. Ces objets peuvent facilement glisser dans le tube et endommager le tube et/ou faire des bruits gênants durant les cycles de lavage.
- Équilibrez toujours le linge dans le tube de la laveuse pour que tout le poids ne soit pas d'un seul côté et que le linge soit bien réparti dans le tube.

**Remarque:** Il y a un filtre dans la valve d'entrée d'eau. Cela empêche les particules étrangères de l'eau d'entrer dans la laveuse. Nettoyez ce filtre au moins une fois par mois.



## Sélection du niveau d'eau

Votre sélection peut être fonction de de votre chargement Il y a 3 niveaux d'eau pré-réglés parmi lesquels vous pouvez choisir: Faible, Moyen et Haut



**Niveaux d'eau recommandés**

<b>Taille des vêtements lavés en lbs/kg</b>	<b>Niveau de l'eau</b>	<b>Eau utilisée approximativement en gallons/litre</b>
3.9	Élevé	7.40
3.44	Moyen	5.31
Less than 3.44	bas	3.17

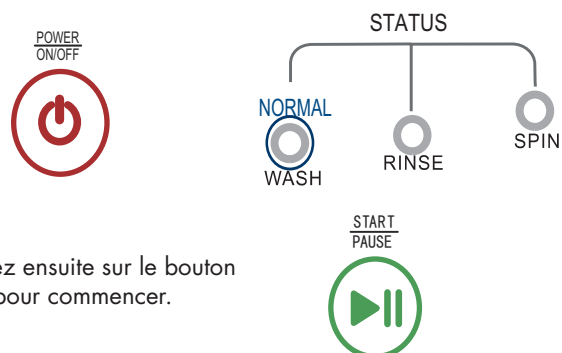
**Note:** L'eau chaude entrant ne doit pas dépasser 122°F/50°C

## CHOIX D'UN CYCLE

### Sélection du cycle de lavage

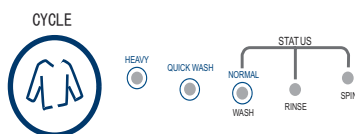
Lorsque vous allumez la laveuse pour la première fois, elle sera automatiquement réglée sur **Lavage NORMAL**, pour lavage, rinçage et essorage. Le voyants lumineux seront allumés pour montrer le cycle du programme.

Marche                      Lavage, Rinçage & Essorage                      Lavage normal



Appuyez ensuite sur le bouton START pour commencer.

- Avec la machine allumée, appuyez sur le bouton "CYCLE Select" pour choisir votre cycle de lavage désiré. Choisissez parmi les 7 options de cycles de lavage disponibles. A chaque fois que vous appuyez sur le bouton "CYCLE" vous vous déplacerez dans le menu des cycles de lavage. Lorsque vous finalisez votre sélection, appuyez sur le bouton START.



Sélection du programme	Programme de lavage	Application
1. Power ON/Marche	Cycle de lavage normal	Lavage, rinçage & essorage
2. Appuyez une fois	Cycle de lavage lourd	Lavage lourd, lavage, rinçage, essorage
3. Appuyez deux fois	Cycle de lavage rapide	Lavage rapide, lavage, rinçage, essorage
4. Appuyez trois fois	Lavage seulement	Pas d'essorage, pas de rinçage
5. Appuyez quatre fois	Lavage et rinçage seulement	Pas d'essorage
6. Appuyez cinq fois	Rinçage et essorage seulement	Pas de lavage
7. Appuyez six fois	Essorage seulement	Pas de lavage, pas de rinçage

**Temps de lavage approximatifs**

<b>Temps de lavage</b>	<b>Lavage (approx minutes)</b>	<b>Rincage Minutes / Times</b>	<b>Essorage (approx minutes)</b>	<b>Total (approx minutes)</b>
<b>Lavage NORMAL</b> Lavage, rinçage & essorage	13-16	6 / 1	7	35 - 42
<b>Lavage lourd</b> Lavage deux fois, lavage, rinçage & essorage	26 - 27	12 / 2	7	68 - 82
<b>Lavage rapide</b> Rapide, lavage, rinçage & essorage	5 - 6	5 / 1	5	21 - 28

**Remarque:**

- Les durées totales de lavage dépendent en fonction du cycle.
- Les durées totales incluent la durée normale d'entrée de l'eau et la durée de vidange. La durée totale de lavage peut être affectée par la pression d'entrée de l'eau et le niveau de l'eau.
- La durée de l'essorage est celle qui va du fonctionnement sporadique jusqu'à la fin du cycle.
- Dans le programme «Quick », Lavage rapide (lavage rapide, vêtements délicats), le rinçage et l'essorage sont réglés automatiquement. Aucune procédure ne peut être sélectionnée après le réglage.

**Signal de fin de cycle**

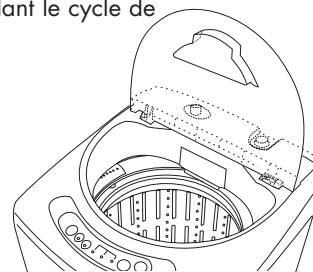
Un bip vous alerte quand le cycle de lavage est terminé. Les voyants lumineux « Spin » seront encore allumés. La laveuse s'éteindra automatiquement environ 1 minutes après la fin du cycle.

### Fermeture du couvercle supérieur

• Pour des raisons de sécurité, le couvercle supérieur doit toujours être fermé pendant le lavage. Si vous ouvrez le couvercle supérieur pendant le cycle de lavage voici ce qui se passera :

- Une alarme retentira.
- Le tube ne tournera pas tant que le couvercle est ouvert.
- Si l'appareil est en mode lavage, il s'arrêtera.

Fermez tout simplement le couvercle supérieur et appuyez sur le bouton Start /Pause pour reprendre le cours du cycle.



### Chargement de la laveuse

- Placez chaque vêtement dans la machine séparément.
- Séparez les vêtements blancs des couleurs. Séparez les vêtements lourds des vêtements légers.
- Vérifiez attentivement toutes les poches et revers des vêtements pour vérifier qu'il n'y a pas d'objets oubliés. Ces objets peuvent facilement glisser dans le tube et endommager le tube et/ou faire des bruits gênants durant les cycles de lavage.
- Pour obtenir de meilleurs résultats prétraitez les taches et les endroits très sales.
- Ne surchargez pas votre laveuse.
- Fermez la porte ou le couvercle supérieur correctement après avoir mis les vêtements dans la machine.
- Lorsque vous mettez des vêtements mouillés dans la machine faites en sorte que le niveau de l'eau soit suffisant pour que l'appareil soit en équilibre et permette aux vêtements de flotter facilement dans l'eau.

### Bonne utilisation de détergent

- Remplissez le tube d'eau au niveau d'eau "Bas".
- Ajoutez le détergent.
- Ajoutez le linge.
- Sélectionnez le niveau d'eau.

**Note:** La quantité de détergent dépend de la taille de ce que vous lavez, le type d'eau (dure ou douce) et si les vêtements sont très sales ou peu sales. En plus de la performance de la laveuse, la qualité du détergent affecte aussi le résultat du lavage. Pour de meilleurs résultats utilisez uniquement des détergents qui font le moins de mousse savonneuse possible. Référez-vous aux recommandations du fabricant pour la quantité à utiliser.

### Bonne utilisation de l'eau de javel

Référez-vous aux recommandations du fabricant pour la quantité d'eau de javel à utiliser. Diluez l'eau de javel et ajoutez-la à l'eau avant de mettre les vêtements dans le tube de lavage.

**Avertissement!** Faites attention de ne pas renverser de l'eau de javel sur la carrosserie de la laveuse ou sur les vêtements. C'est un produit chimique très puissant qui peut abîmer vos vêtements et la finition de la laveuse si elle n'est pas diluée correctement.

## GUIDE DE NETTOYAGE ET D'ENTRETIEN

**Avertissement!** Débranchez toujours votre laveuse pour éviter les décharges électriques avant le nettoyage. Ne pas suivre cette consigne peut causer des blessures ou la mort. Avant d'utiliser des produits de nettoyage lisez et suivez toujours les instructions du fabricant pour éviter les blessures et d'abîmer l'appareil.



### Nettoyage et maintenance

Utilisez uniquement un chiffon humide ou savonneux pour nettoyer le tableau de commande.

- Afin d'éviter d'abîmer la carrosserie nettoyez la carrosserie de la laveuse aussi souvent que nécessaire. Si vous renversez de la lessive, de l'adoucissant ou de l'eau de javel sur la carrosserie nettoyez-la immédiatement car cela peut endommager les finitions.
- N'utilisez pas de produits abrasifs, produits chimiques très forts, de l'ammoniaque, de l'eau de javel, des détergents concentrés, des solvants ou des éponges en métal. Ils peuvent se dissoudre, endommager et/ou décolorer votre laveuse.
- Retirez les épingles et autres objets tranchants des vêtements pour éviter de rayer les parois internes.
- L'écran du filtre de la valve d'entrée de l'eau se bloque à cause des résidus et de la saleté. Nettoyez-le tous les mois avec une brosse.

### Déménagement et vacances

- Fermez l'arrivée d'eau et déconnectez les tuyaux. Videz l'eau de tous les tuyaux. Cela empêchera la laveuse de s'abîmer à cause d'une fuite d'eau si les tuyaux se rompent accidentellement ou deviennent lâches.
- Débranchez la machine de la prise murale.
- Séchez la cuve de lavage. Si vous bougez la laveuse, débranchez le tuyau de vidange.
- Afin d'éviter les moisissures laissez le couvercle ouvert pour que l'humidité s'évapore.
- Réinstallez le Styrofoam au bas de l'appareil qui est utilisé pour protéger la laveuse des vibrations et chocs pendant le transport.



**Bruits de fonctionnement normal**

Les bruits suivants sont des bruits de fonctionnement normal:

- Bruit de tambour : Ceci est normal car les vêtements mouillés et lourds sont continuellement en mouvement dans la laveuse.
- Bruit d'air : Cela se produit lorsque le tambour de la laveuse tourne très rapidement et que l'air passe à travers le tambour de la laveuse.
- Les cycles de lavage et de rinçage font un bruit "Click" lorsqu'ils commencent et se terminent.

## PROBLÈMES ET SOLUTIONS

Regardez si votre problème est dans la liste suivante et essayez les solutions proposées pour votre problème:

### **La sècheuse ne fonctionne pas:**

- L'appareil est-il bien branché ? La fiche est peut être mal enfoncée.
- Vérifiez si la tension de la prise murale est adéquate.
- Vérifiez si le disjoncteur a besoin d'être touché ou si un fusible doit être remplacé.
- Vérifiez si la laveuse est trop remplie. Remplissez-la de nouveau et redistribuez le linge afin d'équilibrer la machine.
- La porte n'est pas bien fermée ? Fermez bien la porte.
- Vérifiez si les sélections du programme sont bien réglées. Vous devez peut-être ajuster les réglages.
- Vérifiez le bouton Power "ON/OFF" pour voir s'il est sur OFF. Il faut peut-être que vous appuyiez sur le bouton pour le mettre sur ON.
- Vérifiez si le bouton "Start/Pause" est en mode "Pause". Appuyez sur ce bouton pour commencer le processus de lavage.
- Le lavage est interrompu. C'est normal. Le senseur des vêtements vérifie qu'il y a des vêtements dans le tube de lavage. L'eau y sera ajoutée environ 48 secondes plus tard.
- Le pulsateur pause pendant l'entrée de l'eau dans les cycles de lavage et de rinçage. C'est normal. Cela empêche les éclaboussures durant l'entrée de l'eau.
- La laveuse a peut-être besoin d'être remplie de nouveau et les vêtements ont peut-être besoin d'être rééquilibrés.

**Problèmes d'eau:**

- Il n'y a pas assez d'eau qui entre – Le robinet d'eau a peut-être besoin d'être tourné à fond sur ON. Le tuyau d'eau peut être tordu ou emmêlé. Faites en sorte qu'il soit bien droit et raide. Vérifiez la sélection du niveau d'eau. Peut-être que cela a besoin d'être réajusté. Cela peut causer une pause du programme pour quelques minutes après l'entrée de l'eau.
- Fuites d'eau – C'est causé par une mauvaise installation du tuyau d'évacuation ou du tuyau de remplissage. Votre drain peut être bouché. Il faut peut-être que vous resserriez le tuyau, vérifiez la plomberie ou appelez un plombier. L'eau peut aussi fuir de la machine si la machine est trop chargée ou si trop de détergent est utilisé.
- L'eau ne s'écoule pas - C'est causé par une mauvaise installation du tuyau d'évacuation. Vous avez peut-être besoin de connecter le tuyau d'évacuation correctement. Vérifiez la position du tuyau d'évacuation. Le tuyau d'évacuation doit être bouché ou tordu.
- L'eau s'écoule du tuyau d'évacuation lors de la première utilisation de la machine – Cela peut être l'eau restée dans le tube après que l'usine ait inspecté l'appareil pour tester sa performance afin d'en assurer une qualité optimale.

**La laveuse fait du bruit:**

- La laveuse peut avoir besoin d'être réinstallée et mise à niveau. Référez-vous à la section installation.
- La laveuse peut avoir besoin d'être rééquilibrée, car le linge à l'intérieur de la machine peut être placé de façon inégale.
- Les pièces, les boutons ou d'autres objets lourds peuvent faire du bruit.
- Un son de crissement peut être dû à un tube de lavage trop plein.
- Des bruits de vibration peuvent être dus à une mauvaise mise à niveau de la laveuse ou à une distribution inégale des vêtements dans le tube.

**Problèmes avec les vêtements:**

- Les vêtements sont trop froissés - Les vêtements ont mal été mis dans la machine ou la machine a été trop remplie. Ne mélangez pas les vêtements lourds comme les vêtements de travail avec des vêtements légers comme des corsages, chemises et des articles délicats.
- Les vêtements ont des résidus de savon – Le détergent n'a peut-être pas bien dissous dans l'eau. Vérifiez la température de l'eau ou ajoutez le détergent quand le tube de lavage se remplit d'eau (avant de mettre les vêtements dans la machine) pour éviter qu'il y ait des restes de savon sur les vêtements. Il est recommandé d'utiliser des détergents liquides.
- Les vêtements sont déchirés ou troués – Des objets tranchants comme des épingles et des boucles de ceinture ont été laissés dans le tube de lavage. Vous devez retirer les objets petits, lâches et tranchants. Fermez les fermetures éclairs, les ceintures, les attaches en métal, etc. Vérifiez si vous utilisez de l'eau de javel diluée. N'utilisez jamais de l'eau de javel non diluée pour le lavage.

**Autres:**

- L'essorage est irrégulier quand il commence - Le linge a besoin d'être équilibré pour éviter l'inclinaison. Déplacez le linge à l'intérieur de la laveuse pour l'équilibrer.
- "Essorage" ne fonctionne pas dans Program Select - Le programme est réglé sur le temps de vidange. L'essorage commencera dans quelques minutes.
- Durant l'essorage final, cela s'arrête - Le voyant lumineux « Rinse » s'allume et la laveuse commence à se remplir d'eau. Le linge à l'intérieur de la machine penche d'un côté. Après que le tube ne soit rempli d'eau, l'inclinaison s'arrêtera et l'essorage reprendra.

## GARANTIE LIMITÉE

### Service à domicile

#### Pendant 12 mois

Partir de la date d'achat de l'appareil, Haier réparera ou remplacera toute pièce, gratuitement dont le travail résultant d'un défaut de matériels ou de main d'œuvre.

#### Garantie limitée

Après un an à compter de la date d'achat, Haier fournira une pièce gratuitement, comme indiqué au-dessus, pour remplacer la pièce défectueuse ou la main d'œuvre. Haier est entièrement responsable du coût de la pièce. Tous les autres coûts tels que travail, transport, etc. sont à la charge du client.

#### De la deuxième à la cinquième année

Haier fournira le tube de lavage extérieur et les pièces d'assemblage relatives au tube extérieur si la pièce ne parvient pas à retenir l'eau.

#### De la deuxième à la septième année

Haier fournira le tube de lavage intérieur en acier inoxydable s'il est défectueux et s'il y a un problème de main d'œuvre.

**Remarque:** Cette garantie commence à la date d'achat de l'appareil et le reçu d'achat original doit être présenté au service agréé avant que les réparations de la garantie ne soient effectuées.

**Exceptions:** Garantie de l'appareil pour usage commercial ou location de l'appareil

**90 jours pour la main-d'œuvre à partir de la date d'achat original**

**90 jours pour les pièces.**

**Il n'y a pas d'autres garanties.**

#### Pour obtenir le service de garantie

Contactez votre centre de service agréé le plus proche. Tout service sera effectué par un centre de service agréé Haier. Pour le nom et numéro de téléphone le plus du centre de service agréé le plus proche veuillez appeler le 1-877-337-3639.

#### Avant d'appeler veuillez vous assurer d'avoir à votre disposition les informations suivantes:

Numéro du modèle et numéro de série de votre appareil. Le nom et l'adresse du revendeur ou vous avez acheté l'unité et la date d'achat.

Une claire description du problème.

Une preuve d'achat (reçu/ticket de caisse)

### Cette garantie couvre les appareils en Amérique continentale, Porto Rico et au Canada. Ce qui n'est pas couvert par cette garantie:

Le remplacement ou la réparation des fusibles, des disjoncteurs, l'installation électrique ou la plomberie du lieu d'utilisation de l'appareil.

Un produit dont le numéro de série original a été retiré ou altéré.

Tous frais de service qui ne sont pas spécifiquement identifiés comme des heures de service normales ou de service normales.

Les dommages aux vêtements.

Les dommages causés lors du transport.

Les dommages dus à une mauvaise installation ou à une maintenance de l'appareil.

Les dommages dus à une mauvaise utilisation, un accident du à un abus, un incendie, une inondation, ou catastrophes naturelles.

Les dommages résultant d'une modification du produit, altération ou ajustement non autorisé par Haier.

Les ajustements des contrôles comme identifiés dans le guide d'utilisation.

Les tuyaux, les boutons, les bacs à peluches et tous les attachements, accessoires et les pièces jetables.

Le travail, le service de transport et les frais d'expédition pour le retrait et le remplacement des pièces défectueuses au-delà de la période initiale de 12 mois.

Les dommages dus à une utilisation autre que domestique.

Tout frais de transport et d'expédition.

### CETTE GARANTIE LIMITÉE EST DONNÉE À LA PLACE DE TOUTE AUTRE GARANTIE EXPRIMÉE, OU IMPLICITE INCLUANT LES GARANTIES DE QUALITÉ MARCHANDE ET DE COMPATIBILITÉ À UNE FIN PARTICULIÈRE.

Le recours offert dans cette garantie est exclusif et est accordé à la place de tout autre.

Cette garantie ne couvre pas les dommages secondaires ou conséquents et donc les limitations ci-dessus peuvent ne pas s'appliquer pas à vous. Certains États n'autorisent pas les limitations sur la durée d'une garantie donc les limitations ci-dessus ne vous concernent peut-être pas.

Cette garantie vous donne des droits légaux et il se peut que vous ayez d'autres droits qui varient d'un État à l'autre.

Haier America  
New York, NY 10018



Bienvenue dans le monde de la  
buanderie portative compacte Haier!

Le HLP140 est une sècheuse à évacuation,  
montable au-dessus de n'importe laquelle  
des laveuses portatives compactes Haier.

- Efficace, compacte et portative
- Facile à installer et utiliser
- Installation facile
- Utilise les prises 120 volts standard  
– 15 ampères
- Vous pouvez les installer n'importe où !  
La sècheuse compacte parfaite pour  
votre laveuse compacte.

### SECHEUSE



Sècheuse compacte à évacuation portative 120 volts

Modèle HLP140

2.6 Cu ft./ 2.6 pi3 (7.7 lbs/ 3,5 kg)

Sècheuse à évacuation portative

- Sècheuse à évacuation 1100 watts
- Temps de séchage : 30, 60, 90, 120 et 150 minutes
- Utilise une prise standard de 120 V-15 A
- Réglage à touches numérique facile
- 4 cycles de séchages à sec/ 3 réglages de température
- Signal de fin de cycle
- Montable au mur au-dessus de n'importe quelle laveuse
- Se branche dans toute prise standard de 120 volts – 15 ampères  
Pas besoin de branchement spécial

Dimensions de l'appareil (HxLxP): 24.8" x 16.73" x 26.97"

## DESEMBALAJE DE SU MÁQUINA LAVADORA



1. Revise y quite todos los materiales de embalaje. Esto incluye la espuma y la cinta adhesiva de dentro y fuera de la unidad.
2. Revise y quite los restos de embalaje, cinta o materiales impresos antes de enchufar la lavadora.

# PELIGRO

**Riesgo de que los niños queden atrapados. Antes de deshacerse de su artefacto usado, saque la puerta para evitar que los niños puedan quedar atrapados fácilmente en el interior.**

## REGISTRO DEL PRODUCTO

Gracias por comprar nuestro producto Haier. Este manual fácil de usar le guiará para obtener el mejor uso posible de su lavadora.

Recuerde anotar los números de modelo y de serie. Se encuentran en una etiqueta en la parte posterior de la lavadora.

\_\_\_\_\_

*Número de modelo*

\_\_\_\_\_

*Número de serie*

\_\_\_\_\_

*Fecha de compra*

Abroche su recibo al manual.

**Lo necesitará para obtener servicios de garantía.**

Coloque por favor su producto en línea en [www.prodregister.com/haier](http://www.prodregister.com/haier)



# INSTRUCCIONES DE SEGURIDAD IMPORTANTES

**Advertencia – Para reducir el riesgo de incendio, descarga eléctrica o lesiones a las personas al usar el artefacto, siga las precauciones básicas, incluyendo las siguientes:**

1. **Lea todas las instrucciones antes de usar el artefacto.**
2. Use este artefacto sólo con los usos para los que fue diseñado, según se describe en esta guía de uso y cuidados.
3. Use sólo detergentes o suavizantes según lo recomendado para el uso en este manual y manténgalos fuera del alcance de los niños.
4. Este electrodoméstico debe ser instalado correctamente conforme a las instrucciones de instalación antes de utilizarlo.
5. Nunca desenchufe su electrodoméstico jalando del cable de corriente. Siempre agarre con firmeza el enchufe y jale directamente tomacorriente.
6. Reemplace inmediatamente los cables de energía deteriorados o los enchufes y tomacorrientes flojos.
7. Desenchufe su electrodoméstico antes de limpiarlo o realizar reparaciones.
8. Si su artefacto viejo no está en uso, le recomendamos quitarle la puerta. Esto reducirá la posibilidad de peligro para los niños.
9. No accione el electrodoméstico en presencia de humos explosivos.
10. No use este artefacto para lavar prendas que se han mojado, manchado o lavado con gasolina, solventes para limpieza en seco o cualquier otra sustancia explosiva o inflamable que pueda prenderse fuego o explotar.
11. Las vestimentas o trapos usados para limpiar materiales inflamables o explosivos no deben lavarse en este artefacto hasta que se hayan removido todos los restos de estos materiales.
12. No agregue o mezcle sustancias inflamables o explosivas al lavado.
13. No intente sacar la ropa mientras la tina está en movimiento. Permita que se detenga por completo antes de tocarla.
14. La puerta de carga del artefacto debe estar cerrada cuando la tina está centrifugando.
15. No accione el artefacto cuando tenga piezas faltantes o rotas.
16. No use este electrodoméstico con fines comerciales.
17. No accione este artefacto hasta que todos los paneles de cerrado estén ubicados correctamente en su lugar.
18. No manipule indebidamente los controles.

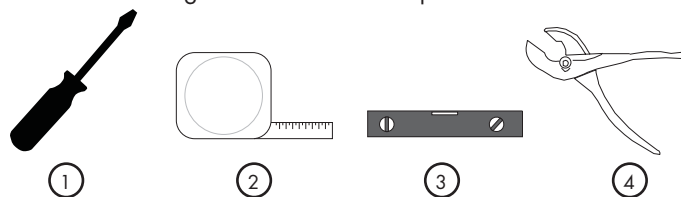


19. Para reducir el riesgo de lesiones, no permita que los niños jueguen dentro o sobre el artefacto. Es necesario supervisar con atención a los niños cuando el artefacto se utiliza cerca de ellos.
  20. Este artefacto debe conectarse a un tomacorriente adecuado con el suministro eléctrico correcto.
  21. Debe asegurarse una conexión a tierra adecuada para reducir el riesgo de descargas eléctricas o incendios. **NO CORTE O QUITE EL ENCHUFE DE CONEXIÓN A TIERRA.** Si no cuenta con un tomacorriente de tres entradas en la pared, pídale a un electricista matriculado que instale el tomacorriente adecuado. El tomacorriente de pared **DEBE** tener adecuada conexión tierra.
  22. Se puede producir hidrógeno si el calentador de agua no ha sido utilizado durante más de dos semanas. Esto puede ser explosivo en ciertas circunstancias. En este caso, abra todos los grifos de agua caliente y deje correr el agua caliente durante unos minutos antes de usar este artefacto. De esta manera, el hidrógeno atrapado se liberará. Para evitar accidentes durante este proceso **NO ENCIENDA** ningún artefacto eléctrico, **no fume** ni encienda fósforos ni utilice encendedores o llamas.
  23. No repare o reemplace ninguna pieza del artefacto ni intente ningún tipo de reparación a menos que esté recomendado específicamente en las instrucciones de reparación para el usuario, las cuales debe entender y debe tener la habilidad para llevarlas a cabo.
- Nota:** Si por alguna razón este producto necesita reparación, le recomendamos firmemente que el servicio sea realizado por técnico certificado.
24. Para reducir el riesgo de descargas eléctricas o incendios, no use cables de prolongación o adaptadores para conectar la unidad a una fuente de energía eléctrica.

## CONSERVE ESTAS INSTRUCCIONES USO DOMÉSTICO SOLAMENTE

### Herramientas y materiales necesarios

Necesitará las siguientes herramientas para instalar la lavadora.



1. Destornillador Phillips - para la base inferior
2. Cinta para medir - para controlar las medidas del lugar de ubicación de la lavadora
3. Nivel - para equilibrar la lavadora
4. Pinza ajustable - para asegurar la manguera de entrada

## INSTRUCCIONES DE SEGURIDAD

### Requisitos Eléctricos

#### Instrucciones para la puesta a tierra



#### ADVERTENCIAS:

Este artefacto debe tener conexión a tierra. Está equipado con un cable de 3 hilos que cuenta con un enchufe a tierra. El enchufe debe insertarse en un tomacorriente que se encuentre debidamente instalado y con conexión a tierra.

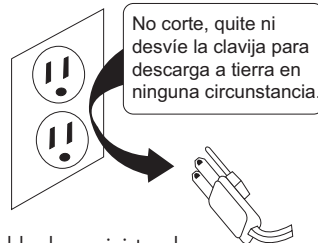
**¡Advertencia!** El uso indebido del cable con descarga a tierra puede representar un riesgo de descarga eléctrica. Consulte a un electricista calificado de ser necesario. No haga caso omiso de esta medida de seguridad modificando el enchufe.

Evite el uso de un cable de prolongación, ya que puede recalentarse y ocasionar un riesgo de incendio. No obstante, si necesita usar un cable de prolongación:

- Use solamente un cable de prolongación de 3 hilos con un enchufe con descarga a tierra de 3 puntas.
- Las especificaciones marcadas del cable de prolongación deben ser iguales o mayores a la especificación eléctrica del artefacto.
- El cable más largo debe ser dispuesto de tal manera que no cuelgue de la encimera o de la mesa para que no pueda ser tironeado por los niños ni pueda provocar tropiezos.

**ADVERTENCIA** Evite los riesgos de incendio o descarga eléctrica. No utilice cable de prolongación o enchufe adaptador. No quite ninguna clavija del cable de energía.

Tomacorriente de pared con descarga tierra



Cable de suministro de energía con enchufe con conexión a tierra de tres clavijas

#### Cuando realice mantenimiento o limpieza:

Para minimizar la posibilidad de descargas eléctricas, desenchufe este artefacto del suministro de energía o desconecte la secadora del panel de distribución del hogar quitando el fusible o apagando el interruptor automático antes de intentar el mantenimiento o la limpieza (excepto para quitar y limpiar el filtro de pelusas).

**Nota:** Si presiona el botón Power ON/OFF (Encendido/Apagado) para apagar o presiona el botón Start /PAUSE (Comenzar/Pausa), NO se desconecta el artefacto del suministro de energía.

#### Requisitos para la instalación eléctrica

- Este aparato debe enchufarse en un TOMACORRIENTE DE AL MENOS 15 AMPERES 110-120 VOLTIOS, 60 HZ CON CONEXIÓN A TIERRA.

**CONTENIDOS**

	<b>PAGE</b>
<b>DESEMBALAJE DE SU LAVADORA .....</b>	<b>1</b>
<b>INSTRUCCIONES DE SEGURIDAD IMPORTANTES.....</b>	<b>2-4</b>
<b>DESEMBALAJE Y CONTROL DE LAS PIEZAS .....</b>	<b>6</b>
<b>PIEZAS Y FUNCIONES .....</b>	<b>7</b>
<b>PANEL DE CONTROL .....</b>	<b>8</b>
<b>INSTRUCCIONES DE INSTALACIÓN .....</b>	<b>10</b>
<b>FUNCIONAMIENTO DE SU LAVADORA.....</b>	<b>15</b>
<b>ELECCIÓN DE UN CICLO .....</b>	<b>18</b>
<b>CUIDADO Y LIMPIEZA ADECUADOS.....</b>	<b>21</b>
<b>GUÍA PARA LA DETECCIÓN Y SOLUCIÓN DE PROBLEMAS.....</b>	<b>23</b>
<b>GARANTÍA .....</b>	<b>26</b>

## DESEMBALAJE Y CONTROL DE PIEZAS



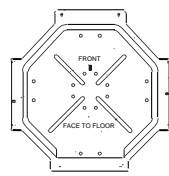
### Desembalaje

1. Quite todos los materiales de empaque. Esto incluye la base de espuma y toda la cinta adhesiva que sostiene los accesorios de la lavadora por dentro y por fuera. Deslice y quite la protección de Styrofoam utilizada para evitar que la lavadora se dañe por vibraciones y golpes durante el envío.
2. Revise y quite los restos de embalaje, cinta o materiales impresos antes de usar la lavadora.

**Nota:** El panel inferior se encuentra entre la protección superior de espuma utilizada para protección y la caja.

### Piezas

- |  |   |
|--|---|
| a) 1 Panel inferior                    | e) 1 Adaptador rápido grifo frega dero. |
| b) 6 Tornillos para la base inferior   | f) 2 bandas de retención                |
| c) 1 Manguera de entrada de agua       | g) 4 ruedecillas opcionales             |
| d) 1 Codo de desagüe (cuello de ganso) | h) 1 Llave inglesa                      |



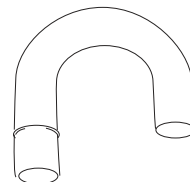
a



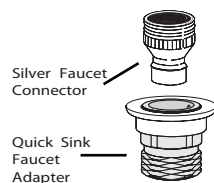
b



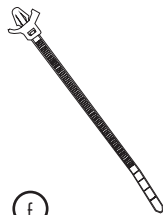
c



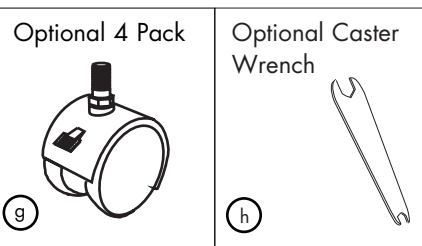
d



e



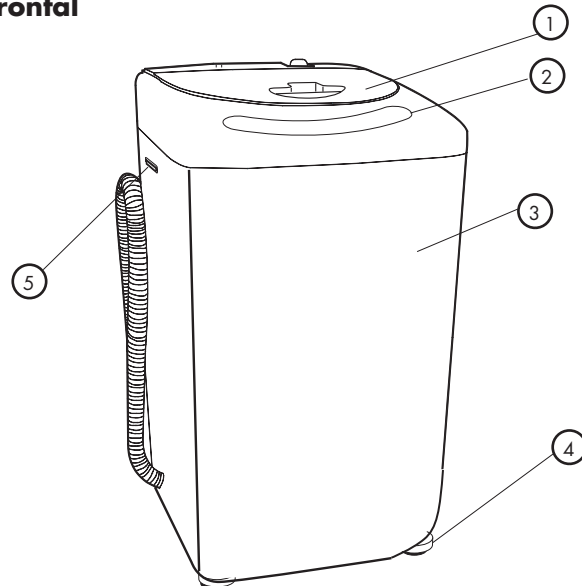
f



Revise para asegurarse de que todos los accesorios están presentes y en buenas condiciones. Si descubre que no están en buenas condiciones o falta alguno, por favor, contacte a nuestro departamento de atención al cliente para obtener asistencia. **Nuestro número gratuito es 1-877-337-3639.**

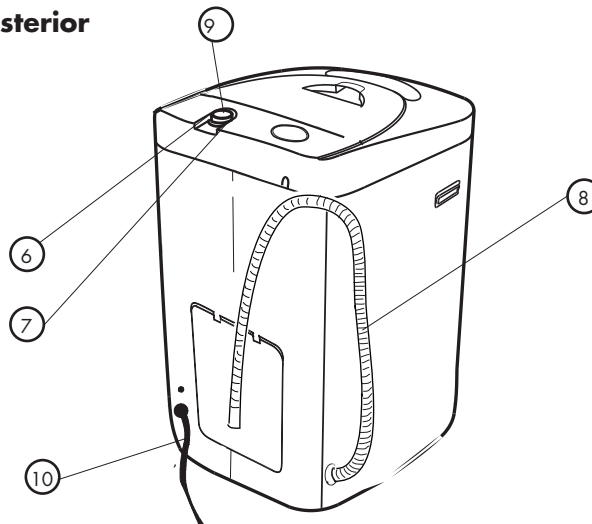
## PIEZAS Y FUNCIONES DE LA LAVADORA

### Vista frontal



- |                            |   |
|----------------------------|---|
| 1. Tapa superior           | 4. Pata para nivelación frontal                               |
| 2. Panel de control        | 5. Manija del gabinete (ubicada a ambos lados de la lavadora) |
| 3. Gabinete de la lavadora |   |

### Vista posterior



- |                                      |  |
|--------------------------------------|--|
| 6. Adaptador para la entrada de agua | 9. Manguera de entrada de agua           |
| 7. Arandela de goma                  | 10. Cable de energía (120 voltios, 60Hz) |
| 8. Manguera de desagüe               |  |

## PANEL DE CONTROL

### 1. Botón de Encendido y Apagado

Presione el botón 'Power On/Off' (Encendido/Apagado) para encender la lavadora.

### 2. Botón Start/Pause (Comenzar/Pausa)

Con el artefacto encendido, presione el botón 'Start/Pause' (Comenzar/Pausa) para comenzar el ciclo de lavado, hacer una pausa o reanudar el funcionamiento.

### 3. Botón Cycle (Ciclo)

Para elegir el ciclo de lavado

Normal, lavado normal

Heavy (profundo), prendas grandes y pesadas

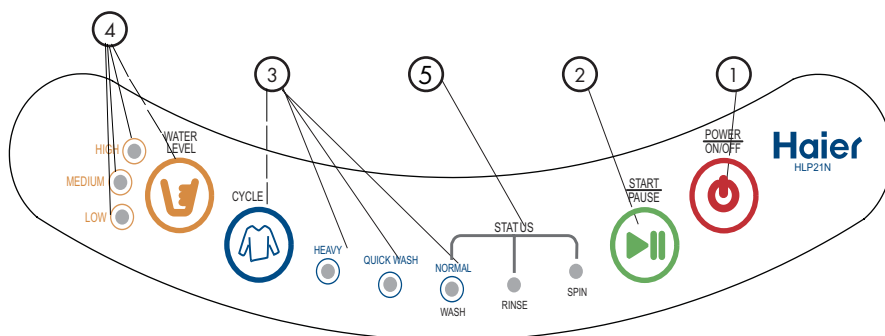
Quick Wash (lavado rápido), cargas pequeñas de lavado que están levemente manchadas

### 4. Botón de nivel de agua

Seleccione la altura del agua del tambor según las prendas que se laven.

### 5. Luces indicadoras de estado

Indica el ciclo elegido con las etapas del ciclo en funcionamiento.



## INSTRUCCIONES PARA LA CONFIGURACIÓN RÁPIDA PARA EL LAVADO NORMAL

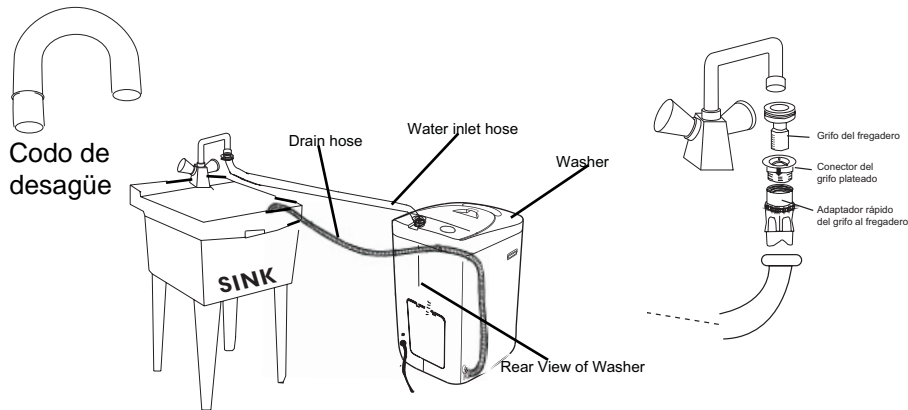
1. Ubique el mejor lugar para usar su NUEVA lavadora portátil compacta. Asegúrese de que esté cerca de un tomacorriente de 120 voltios y una fuente de agua, como un fregadero, con un desagüe.



2. Atornille la base inferior con los seis (6) tornillos provistos.

3. Conecte la manguera de entrada de agua usando el adaptador de conexión rápida, o directamente conecte con el grifo.

4. Ubique la manguera de desagüe en un desagüe o dentro del fregadero usando el codo de desagüe.



5. Asegúrese de que el filtro para pelusas esté en su lugar. Está instalado al costado del tambor.

6. Asegúrese de que dentro de la lavadora haya únicamente ropa, luego enchufe el cable de energía en un tomacorriente ÚNICAMENTE DE 15 AMPERES, 110-120 VOLTIOS, 60 HZ CON DESCARGA A TIERRA.

7. A continuación presione el botón "POWER ON/OFF".



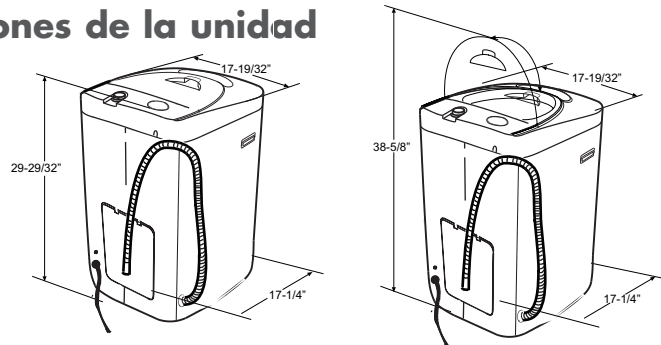
8. Seleccione la altura del agua.



9. Seleccione el lavado "NORMAL" con el botón "CYCLE" (Ciclo), luego presione el botón "START" (Comenzar).



## Dimensiones de la unidad



## UBICACIÓN CORRECTA

- Seleccione una ubicación adecuada para la lavadora en una superficie dura y pareja, lejos de la luz directa del sol y de las fuentes de calor (por ejemplo, radiadores, zócalos radiantes, artefactos de cocina, etc.).
- Verifique las medidas de la lavadora compacta en relación con la ubicación que ha seleccionado y asegúrese de que el lugar sea adecuado.
- Asegúrese de que tenga un tomacorriente de 120 voltios con descarga a tierra al lado del área de la lavadora.
- Cualquier desnivel en el piso debe ser corregido con la pata niveladora ubicada en la esquina inferior derecha de la lavadora.

## Ambientes fríos

- La lavadora debe estar ubicada y debe ser usada ÚNICAMENTE a temperatura ambiente. No debe colocar la lavadora en lugares donde la temperatura esté por debajo del punto de congelación ni en el exterior.
- Este artefacto debe guardarse a temperatura ambiente. No instale o accione este artefacto en un área donde la temperatura ambiente esté bajo el punto de congelación.
- Si recibe este artefacto cuando la temperatura exterior está bajo el punto de congelación, no lo accione hasta que se haya calentado a temperatura ambiente.

## INSTRUCCIONES PARA LA INSTALACIÓN

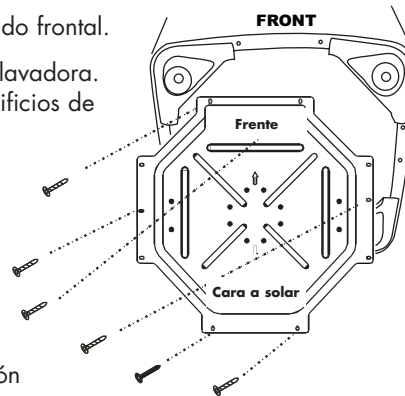
Lea detenidamente e interprete todas las instrucciones antes de instalar esta lavadora. Si después de completar el procedimiento aún no está seguro de que la lavadora haya sido instalada correctamente, le recomendamos que se ponga en contacto con un instalador calificado.



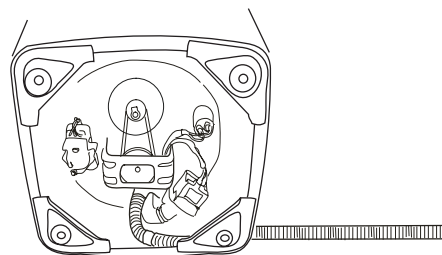
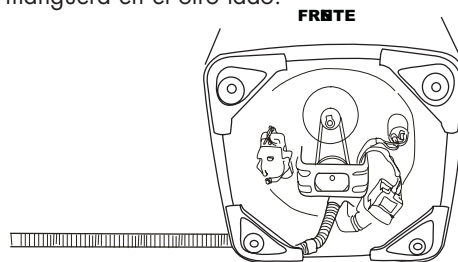
**Paso 1****Cómo instalar el panel inferior**

El panel inferior bloquea los ruidos para proporcionarle el funcionamiento más silencioso posible durante el ciclo de lavado.

1. Primero, apoye la lavadora sobre su lado frontal.
2. Coloque el panel contra la base de la lavadora. Alinee los orificios del panel con los orificios de la lavadora.
3. Inserte los tornillos en los orificios del panel atravesando los orificios de la base de la lavadora y ajústelos. (Se proporcionan 6 tornillos.)
4. Una vez que se han colocado todos los tornillos y el panel está en su lugar, vuelva a colocar la lavadora en posición vertical.



**Nota:** En este momento, se puede colocar la manguera de desagüe hacia la izquierda o hacia la derecha. Simplemente suelte la abrazadera de la manguera y dóblela hacia el otro lado, luego vuelva a introducir la manguera en el otro lado.

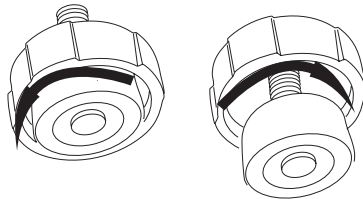


## Cómo nivelar la lavadora

La lavadora tiene una pata niveladora ajustable ubicada en el extremo delantero derecho. Después de colocar correctamente la lavadora en su lugar definitivo, debe nivelarla.

**¡Advertencia!** Si la lavadora no está nivelada, no funcionará adecuadamente y puede detenerse. Una buena práctica es el uso de un nivel.

- Afloje el aro ajustable exterior y más grande de la pata fija. La pata niveladora puede ajustarse girando la pata central hacia la izquierda para subir la pata y hacia la derecha para bajar la lavadora. Una vez que la pata está en la altura correcta, trábela en esa posición usando el aro más externo y grande de la pata fija. Este procedimiento debe hacerse para todas las patas de la lavadora.



**Nota:** Si la lavadora está inclinada más de 2", no funcionará.

## Opción de ruedecillas

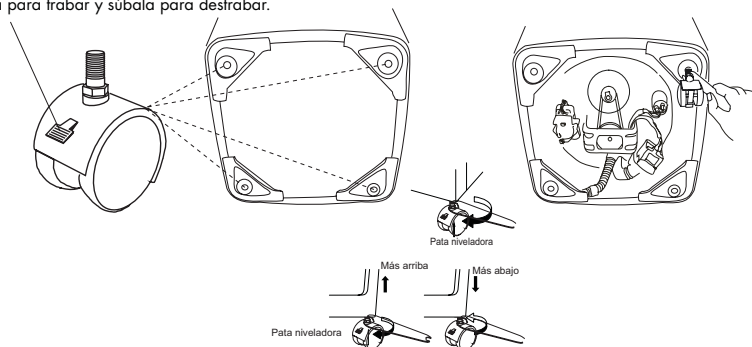
(OPCIONAL, no están incluidas con la lavadora estándar)

A esta lavadora se le pueden cambiar las patas fijas por ruedecillas para lograr mayor movilidad y que sea portátil. El mejor momento para cambiar las patas fijas por ruedecillas es cuando se instala el panel inferior.

Destornille y quite las patas fijas.

Atornille cada una de las 4 ruedecillas a la base inferior primero con la mano y luego con una llave para asegurar el perno para trabar al cuerpo de la lavadora.

Traba de la ruedecilla:  
Baje la lengüeta para trabar y súbala para destrabar.



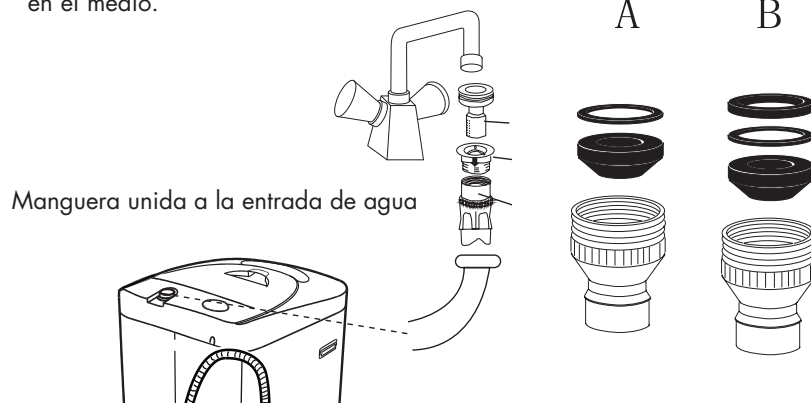
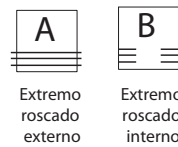
## Cómo instalar la lavadora

Lea las instrucciones de instalación con atención y asegure la ubicación de la lavadora antes de comenzar.

### Cómo instalar un adaptador rápido para el fregadero:

Cuando instale el adaptador rápido del grifo al fregadero al grifo, siga los siguientes pasos:

1. Primero, saque el aireador de la boca del grifo y determine el tamaño y el tipo de grifo.
2. Una vez que haya determinado el tamaño y el tipo de grifo (extremo roscado externo o extremo roscado interno), coloque la arandela de goma del tamaño adecuado en el adaptador para grifos plateado.
3. Una el conector plateado al grifo.
4. Una el conector del grifo a la manguera de entrada de agua y asegúrese de que la arandela de goma esté ubicada en el medio.
5. Una el otro extremo de la manguera de entrada de agua con la entrada de agua de la lavadora y asegúrese de que la arandela de goma esté ubicada en el medio.

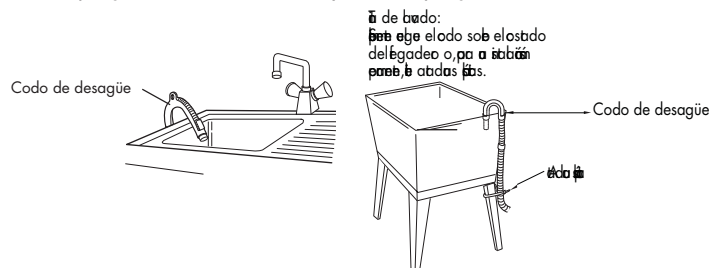


Como una segunda opción, puede instalarla directamente a una salida de agua fría y caliente usando una manguera en Y (NO se suministra).

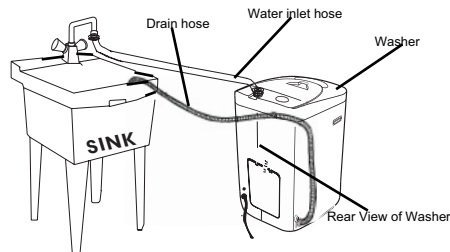


**Nota:** El agua caliente entrante no debe superar los 122°F / 50°C.

6. La manguera de desagüe debe colocarse en un tubo de desagüe o fregadero de al menos 1-1/2 pulgadas de diámetro. Utilice el codo para la manguera de desagüe para mantener la manguera en su lugar. Para evitar el posible retroceso del agua, la manguera de desagüe debe alcanzar una altura de 31-1/2 pulgadas como mínimo y de 40 pulgadas como máximo.



La conexión final de la lavadora al fregadero debe ser así.



7. Enchufe la lavadora a un tomacorriente regular de 115 voltios, 60Hz, 15 amperes sólo después de que todas las líneas de agua y desagüe fueron conectadas.

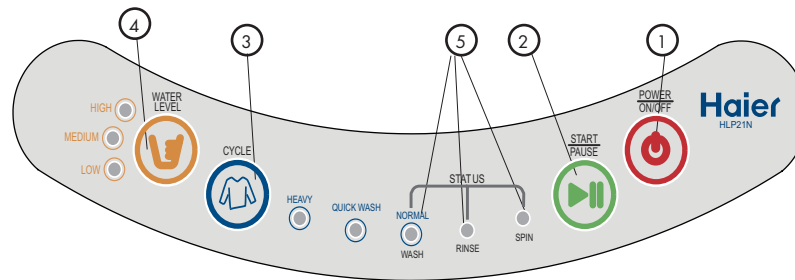
**Nota:** Examine cuidadosamente el artefacto y la parte posterior del mismo para detectar posibles pérdidas de agua. Si hay una pérdida, controle que no existan conexiones flojas. Es posible que deba ajustar las conexiones flojas. No quite el cojinete de absorción de agua. Revíselo antes de cada uso para asegurarse de que no esté dañado.

**¡PRECAUCIÓN!** Si después de completar estos pasos aún no está seguro de que el artefacto haya sido instalado correctamente, póngase en contacto con un instalador calificado. Se recomienda que un técnico certificado instale la lavadora para asegurarse de que la misma esté instalada correctamente.



## FUNCIONAMIENTO DE SU LAVADORA

### Panel de control



#### ENCENDIDO/APAGADO: (1)

- Presione el botón POWER (Encendido/Apagado) una vez para encender la lavadora. Presiónelo nuevamente para apagarla.

#### Comenzar / Pausa: (2)

- Presione este botón una vez para comenzar el proceso de lavado. Presione este botón una vez más para hacer una pausa en la actividad durante el ciclo de lavado. Oprímalo una vez más para reanudar el ciclo de lavado.

#### Selección de CICLOS: (3)

- Seleccione el programa con el ciclo deseado presionando el botón "CYCLE" (Ciclo). Hay 3 ciclos principales de lavado: Normal, Heavy (Profundo) y Quickwash (Lavado rápido) y un total de 7 opciones de funcionamiento de lavado. Presione el botón de selección de ciclo para obtener la configuración deseada.

#### Nivel de agua: (4)

- El nivel de agua por defecto está fijado en la posición "Mediano". Presione el botón de nivel de agua para seleccionar la configuración del nivel de agua adecuada. Puede seleccionar entre un nivel de agua bajo, medio o alto, según la carga de lavado.

#### Luces indicadoras de función y estado: (5)

- Las luces que muestran las funciones indican que una función seleccionada está ENCENDIDA o qué ciclo está por comenzar.
- Durante el ciclo de lavado, una luz destellante indica el estado actual del ciclo de lavado/enjuague/centrifugado.



**Nota:** La luz que destella con rapidez indica que la lavadora no está funcionando correctamente.

### Pasos para el proceso de lavado

1. El filtro para pelusas debe estar limpio y en su lugar antes de comenzar a lavar.
2. Encienda la unidad presionando el botón ON (Encendido).
3. Presione Cycle (selección de Ciclo) para seleccionar el programa de lavado.
4. Agregue el detergente.
5. Agregue la carga de lavado.
6. Presione el botón Start / Pause (Comenzar / Pausa).
7. Una vez que la máquina lavadora comienza, puede cambiar el ciclo o el programa apagando la máquina y luego reiniciándola para realizar la selección nueva.

**Note:** Si la lavadora está encendida sin agua en la tina, comenzará a centrifugar después de unos minutos. El pulsador no rotará a menos que el agua esté llena hasta un nivel seleccionado.

**Nota:** No utilice el proceso de lavado profundo para las prendas de lana.

### Note: Cargar la lavadora

- Cargue cada prenda sin apretar.
- Separe las prendas blancas de las de color. Separe las telas pesadas de las livianas.
- Revise con cuidado todos los bolsillos y dobladillos en busca de elementos extraños. Pueden deslizarse con facilidad por la tina y provocarle daños o hacer ruidos molestos durante los ciclos.
- Equilibre siempre la carga de lavado de forma pareja dentro de la tina de la lavadora, así no quedan áreas pesadas y toda la carga está distribuida de manera equilibrada.

**Nota:** Hay un filtro en la válvula de entrada de agua. Esto evita que ingresen a la lavadora partículas extrañas en el agua. Límpielo al menos una vez por mes.



### Selección del nivel de agua

Su selección dependerá de su Exfisten 3 niveles de agua preconfigurados para seleccionar: Carga de lavado Baja, Medfiana, Alta.



**Niveles de agua recomendados**

<b>Tamaño de la carga en libras</b>	<b>Nivel de agua</b>	<b>Agua usada aproximadamente galones</b>
3.9	Alto	7.40
3.44	Medio	5.31
Menos que 3.44	Bajo	3.17

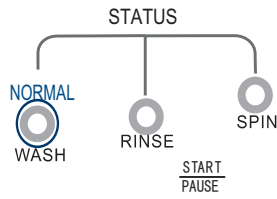
**Nota:** El agua caliente entrante no debe superar los 122°F / 50°C.

## ELECCIÓN DE UN CICLO

### Selección del ciclo de lavado

Cuando enciende la unidad por primera vez, la lavadora estará automáticamente configurada en el **ciclo de lavado NORMAL**, para lavar, enjuagar y centrifugar. Los indicadores luminosos se encenderán para mostrar el programa de ciclo.

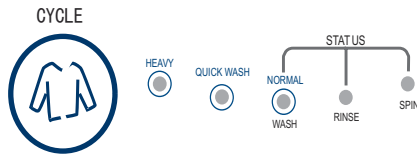
Encendido Lavado, enjuague y centrifugado Lavado normal



Presione el botón Start (Comenzar) para comenzar.



- Con la unidad encendida, presione el botón CYCLE (Ciclo) para seleccionar el ciclo de lavado deseado. Elija entre las 7 distintas opciones de ciclos de lavado. Cada vez que presione el botón CYCLE (Ciclo), se desplazará por el menú de ciclos de la lavadora. Cuando termine la selección, presione el botón START (Comenzar).



Selección de programa	Programa de lavado	Aplicación
1. Encendido	Ciclo de lavado normal	Lavado, enjuague y centrifugado
2. Presione una vez	Ciclo de lavado profundo	Lavado profundo, lavado, enjuague, centrifugado
3. Presione dos veces	Ciclo de lavado rápido	Lavado rápido, lavado, enjuague, centrifugado
4. Presione tres veces	Sólo lavado	Sin centrifugado ni enjuague
5. Presione cuatro veces	Lavado y enjuague únicamente	Sin centrifugado
6. Presione cinco veces	Enjuague y centrifugado únicamente	Sin lavado
7. Presione seis veces	Centrifugado únicamente	Sin lavado ni enjuague



**Tiempos aproximados de lavado**

<b>Programa de Lavado</b>	<b>Lavado (approx minutos)</b>	<b>Enjuague Minutos / Veces</b>	<b>Centrifugado (approx minutos)</b>	<b>Total Times (approx minutos)</b>
<b>Lavado NORMAL</b> Lavado, enjuague y centrifugado	13-16	6 / 1	7	35 - 42
<b>Lavado profundo</b> Lavado doble, Lavado, enjuague y centrifugado	26 - 27	12 / 2	7	68 - 82
<b>Lavado Rápido</b> Lavado rápido, lavado enjuague y centrifugado	5 - 6	5 / 1	5	21 - 28

**Nota:**

- Los tiempos totales de lavado variarán según el ciclo.
- Los tiempos totales incluyen el tiempo normal de entrada de agua y el tiempo de desagüe. El tiempo total de lavado puede verse afectado por la presión de la entrada de agua y el nivel de agua.
- El tiempo de centrifugado es el que se cuenta desde el funcionamiento intermitente hasta el final del ciclo.
- En el lavado "Rápido" (lavado rápido, para prendas delicadas), el enjuague y el centrifugado se configuran automáticamente. No se puede seleccionar ningún procedimiento después de configurarlo.

**Nota:** Cuando apague la unidad y luego la encienda, la máquina se reiniciará en el programa de lavado NORMAL estándar, con las aplicaciones de lavado, enjuague y centrifugado correspondientes.

**Señal de fin del ciclo**

La máquina hará sonar una alarma al final del ciclo para indicar que el lavado está completo. Las luces indicadoras de "Spfin" (Lavado/Enjuague/Centrifugado) estarán encendidas. La lavadora se apagará automáticamente en aproximadamente 1 minutos una vez completado el ciclo.

### **Cerrar la tapa superior**

Por cuestiones de seguridad, la tapa superior siempre debe estar cerrada durante el proceso del lavado. Si abre la tapa superior mientras el ciclo de lavado está en progreso, ocurrirá lo siguiente:

- Sonará una alarma.
- La tina no girará mientras la tapa esté abierta.
- Si la unidad se encuentra en el modo de lavado, dejará de funcionar.

Simplemente cierre la tapa y presione el botón Start / Pause (Comenzar / Pausa) para reanudar el ciclo.

### **Cargar la lavadora**

- Cargue cada prenda sin apretar.
- Separe las prendas blancas de las de color. Separe las telas pesadas de las livianas.
- Revise con cuidado todos los bolsillos y dobladillos en busca de elementos extraños. Pueden deslizarse con facilidad por la tina y provocarle daños o hacer ruidos molestos durante los ciclos.
- Trate con anterioridad las manchas y las áreas con mayor suciedad para lograr mejores resultados.
- No sobrecargue su lavadora.
- Cierre la puerta o tapa superior correctamente después de cargar las prendas.
- Al cargar prendas húmedas, mantenga el nivel del agua lo suficientemente alto como para mantener la unidad en equilibrio y permitir que las prendas floten fácilmente en el agua.

### **Uso adecuado del detergente**

- Llene de agua la tina en el nivel de agua "Bajo".
- Agregue el detergente.
- Cargue la lavadora.
- Seleccione el nivel de agua.

**Nota:** La cantidad de detergente utilizada depende del tamaño de la carga, del tipo de agua (dura o blanda) y de la suciedad de las prendas. Además del funcionamiento de la máquina lavadora, la calidad del detergente también afecta el resultado del lavado. Para lograr mejores resultados, use sólo detergentes de baja espuma. Consulte la cantidad de detergente recomendada para el uso por el fabricante.

### **Uso adecuado del blanqueador**

Consulte el cuadro del fabricante del blanqueador para conocer el uso recomendado del líquido blanqueador. Diluya el blanqueador y agréguelo al agua antes de poner las prendas en la tina de lavado.

**¡Advertencia!** Tenga cuidado de no derramar blanqueador sin diluir en el gabinete de la lavadora o sobre las prendas. Es un químico fuerte que puede arruinar sus prendas y la terminación de la lavadora si no está diluido correctamente.

## CUIDADO ADECUADO Y LIMPIEZA

### ¡Advertencia!



Desenchufe siempre el artefacto antes de limpiarlo para evitar descargas eléctricas. Ignorar esta advertencia puede ocasionar lesiones personales o la muerte. Antes de utilizar productos de limpieza, lea y siga siempre las instrucciones del fabricante del producto de limpieza, así como también las advertencias para evitar lesiones personales y daños al producto.

### Limpieza general y mantenimiento

Use solamente un paño húmedo o enjabonado para limpiar el panel de control.

- Para evitar cualquier daño al acabado del gabinete, límpielo con un paño según sea necesario. Si se derrama suavizante, blanqueador o detergente líquidos o en polvo sobre el gabinete, límpielo con un paño inmediatamente ya que se podría dañar el acabado.
- No use abrasivos, productos químicos fuertes, amoníaco, blanqueador con cloro, detergente concentrado, solventes o esponjas de metal texturizado. Algunos de estos productos químicos y materiales pueden disolver, dañar o desteñir el artefacto.
- Quite alfileres y demás objetos puntiagudos de la ropa para evitar que las piezas internas se rayen.
- El filtro de pelusas debe limpiarse antes de cada uso para lograr una eficiencia óptima. **NO UTILICE LA LAVADORA SIN EL FILTRO DE PELUSAS EN SU LUGAR.**
- La rejilla del filtro de válvula de entrada de agua puede taparse con suciedad y residuos. Le recomendamos limpiarla mensualmente con un cepillo.

### Ausencias prolongadas y mudanzas

- Cierre los grifos de agua y desconecte las mangueras. Elimine el agua de todas las mangueras. De esta manera evitará el daño ocasionado por las pérdidas de agua si las mangueras se rompen o se aflojan accidentalmente.
- Desconecte el enchufe.
- Seque la tina interna de lavado. Si va a cambiar la lavadora de lugar, desconecte la manguera de desagüe.
- Para evitar el moho y la humedad, deje la puerta abierta para que la humedad del interior del artefacto se evapore.
- Vuelva a instalar la base de espuma o Styrofoam en la base de la unidad para evitar que las piezas internas se dañen a causa de las vibraciones y golpes cuando se traslada la lavadora a otro lugar.

### **Sonidos normales del funcionamiento**

Los siguientes sonidos se escuchan normalmente durante el funcionamiento de la lavadora:

- Se pueden escuchar sonidos de golpes cuando se sacudan de manera continua las prendas completamente mojadas dentro de la lavadora.
- El ruido similar a una ráfaga de aire lo provoca la tina cuando gira a muchas RPM (revoluciones por minuto).
- Los sonidos similares a un clic son causados por los ciclos de lavado y enjuague cuando se encienden y se apagan.

## GUÍA PARA LA DETECCIÓN Y SOLUCIÓN DE PROBLEMAS

Antes de llamar al servicio de reparaciones, detecte los síntomas y siga las soluciones sugeridas.

### **La lavadora no funciona:**

- Controle que la unidad esté enchufada. El enchufe pudo haberse aflojado.
- Controle que el tomacorriente de la pared tenga el voltaje adecuado.
- Controle si es necesario reiniciar el interruptor automático o si es necesario cambiar el fusible.
- Controle que la lavadora no esté sobrecargada. Vuelva a llenarla y distribuya nuevamente la ropa para volver a equilibrar el artefacto.
- Controle que la puerta no esté abierta. Es probable que deba cerrar la puerta correctamente.
- Controle que las selecciones de programas hayan sido configuradas correctamente. Es probable que deba ajustar las configuraciones.
- Controle el botón de ON/OFF (Encendido/Apagado) para ver si está en la posición OFF (Apagado). Es probable que deba presionar el botón para configurarlo en la posición ON (Encendido).
- Controle que el botón "Start/Pause" (Comenzar / Pausa) no esté en el modo en pausa. Presione este botón para comenzar el proceso de lavado.
- El proceso de lavado está en pausa. Esto es normal. El sensor de prendas está verificando que haya prendas dentro de la tina de lavado. El agua se agregará aproximadamente 48 segundos después.
- El pulsador se detiene durante el flujo de agua entrante en el ciclo de lavado y enjuague. Esto es normal. De esta manera se evitan las salpicaduras durante la entrada de agua.
- Es probable que tenga que volver a llenar la lavadora y volver a acomodar la ropa.

**Problemas con el agua:**

- No ingresa suficiente agua. Es posible que sea necesario abrir completamente el grifo de agua. La manguera del agua puede estar enredada o doblada; enderece la manguera. Revise la selección del nivel de agua. Es probable que deba reajustarla. Ello podría ocasionar una pausa en el programa de lavado durante unos minutos después del ingreso del agua.
- Pérdidas de agua. Esto se debe a la instalación incorrecta de la manguera de desagüe o la manguera de llenado. El desagüe de su hogar puede estar tapado. Es probable que tenga que ajustar la manguera, revisar las tuberías o llamar al fontanero. También puede haber pérdida de agua si el artefacto está sobrecargado o si se ha utilizado demasiado detergente.
- El agua no se evacua. Esto se debe a una incorrecta instalación de la manguera de desagüe. Es probable que deba conectar la manguera de desagüe correctamente. Revise la posición de la manguera de desagüe. Puede estar tapada o doblada.
- El agua se sale de la manguera de desagüe durante el primer uso del artefacto. Puede ser el agua que ha quedado en la tina luego de la inspección realizada por la fábrica con el fin de evaluar el buen funcionamiento de la unidad para garantizar la mejor calidad.

**La lavadora hace ruidos:**

- Es probable que sea necesario volver a instalar y nivelar la lavadora. Consulte la sección de instalación de la lavadora.
- Es probable que tenga que volver a acomodar la carga de lavado, ya que puede estar distribuida en forma despareja.
- Es posible que el ruido sea ocasionado por fichas, monedas, botones u otros objetos pesados.
- Los chirridos pueden deberse a que la tina está sobrecargada.
- Los sonidos vibrantes se deben a una incorrecta nivelación de la lavadora o a una distribución despareja de la ropa en la tina.

**Problemas con las prendas:**

- La ropa queda demasiado arrugada. No se ha separado correctamente la ropa o se ha sobrecargado el lavarropas. No mezcle prendas pesadas como ropa de trabajo con prendas livianas como blusas, camisas livianas y otras prendas delicadas.
- La ropa tiene restos de jabón. Es posible que no se disuelva el detergente en el agua. Revise la temperatura del agua o agregue detergente mientras la tina se llena de agua (antes de cargar las prendas) para evitar los restos de jabón en las prendas. Se recomienda el uso de detergente líquido.
- La ropa está rasgada o tiene agujeros. Se han dejado en la cuba objetos puntiagudos, tales como alfileres y hebillas de cinturón. Debe sacar los objetos pequeños y puntiagudos que estén sueltos. Ajuste cinturones, cierres, broches de metal, etc. Controle que se esté utilizando blanqueador no diluido. Nunca agregue blanqueador no diluido al lavado.

**Otros:**

- El centrifugado es intermitente cuando comienza. Deben equilibrarse las prendas para evitar inclinaciones. Mueva las prendas para equilibrar la carga.
- El centrifugado no funciona en la selección de programas. El programa está configurando el tiempo de desagüe. El centrifugado comenzará en unos minutos.
- Durante el centrifugado final, la unidad se detiene, se enciende la luz indicadora de enjuague y la lavadora comienza a llenarse de agua. La carga de lavado está inclinada hacia un lado. Después de que se llena de agua, desaparecerá la inclinación y se reiniciará el centrifugado.

## GARANTÍA LIMITADA

### Servicio técnico en el hogar

#### UN año entero de GARANTÍA

Durante 12 meses a partir de la fecha de la compra original, Haier reparará o cambiará sin cargo cualquier pieza que falle debido a un defecto en los materiales o en la realización, incluyendo la mano de obra.

#### Garantía limitada

Después de un año a partir de la fecha de compra minorista original, Haier proporcionará las piezas sin costo, como se indica a continuación, para reemplazar dicha pieza a causa de defectos en los materiales o en la realización. Haier es responsable solamente por el costo de la pieza. Los demás costos, tales como mano de obra, gastos por los viajes, etc., son responsabilidad del propietario.

#### Segundo a quinto año

Haier proporcionará la tina externa y las piezas relacionadas con el armado de la tina externa en el caso de que la pieza no retenga el agua.

#### Segundo a séptimo año

Haier proporcionará la tina interna de acero inoxidable si presentara defectos en el material o en la realización.

**Nota:** Esta garantía comienza el día de la compra del artículo. Se le debe presentar al representante de reparaciones autorizado el recibo original de la compra antes de realizarse las reparaciones cubiertas por la garantía.

**Excepciones:** Garantía en uso comercial o de alquiler

**90 días desde la fecha original de compra para mano de obra**

**90 días desde la fecha original de compra para piezas**

**No se aplica ninguna otra garantía**

#### Para servicios de garantía

Póngase en contacto con el centro de reparaciones autorizado más cercano. Todos los servicios deben ser realizados por el centro de reparaciones autorizado de Haier. Para saber el nombre del centro de reparaciones autorizado más cercano llame al: 1-877-337-3639

#### Antes de llamar, por favor tenga la siguiente información disponible:

Número de modelo y número de serie de su artefacto. El nombre y dirección de la tienda donde compró la unidad y la fecha de compra.

Una descripción clara del problema.

Un comprobante de compra (recibo de la venta).

26

### Esta garantía cubre artefactos dentro de los Estados Unidos, Canadá y Puerto Rico. No se encuentran cubiertos por esta garantía:

Cambio o reparación de fusibles, interruptores automáticos, cableado o tuberías del hogar. Un producto cuyo número de serie haya sido quitado o modificado.

Los gastos por servicios que no se identifican específicamente como normales, tales como la zona normal de servicio o las horas normales.

Los daños a las prendas

Los daños ocurridos durante el envío.

Daños causados por instalación y mantenimiento incorrectos.

Daños por mal uso, abuso, accidente, incendio, inundación o casos de fuerza mayor.

Daños causados por otra reparación que no sea la brindada por un centro de reparaciones o vendedor autorizado de Haier.

Daños causados por corriente, voltaje o suministro eléctricos incorrectos.

Daños provocados por modificaciones, alteraciones o ajustes al producto no autorizados por Haier.

El ajuste de los controles operados por el usuario tal como se identifica en el manual del usuario.

Las mangueras, perillas, recipientes de pelusa y todos los complementos, accesorios y piezas descartables.

Los gastos de mano de obra, transporte para la reparación y gastos de envío para la remoción y el reemplazo de piezas defectuosas después del período inicial de 12 meses.

Daños causados por todo aquello que no sea el uso normal hogareño.

Cualquier gasto de transporte o envío.

### ESTA GARANTÍA LIMITADA SE OTORGA EN LUGAR DE CUALQUIER OTRA GARANTÍA, EXPRESADA O IMPLÍCITA INCLUYENDO LAS GARANTÍAS DE COMERCIABILIDAD E IDONEIDAD PARA UN FIN DETERMINADO

El recurso provisto en esta garantía es exclusivo y otorgado en lugar de cualquier otro recurso.

Esta garantía no cubre daños fortuitos o consecuentes, de modo que las limitaciones descritas anteriormente pueden no aplicarse a su caso. Algunos estados no permiten limitaciones en cuanto a la duración de una garantía implícita, de modo que las limitaciones descritas anteriormente pueden no aplicarse a su caso.

Esta garantía le concede derechos legales específicos, y usted puede tener otros derechos, que varían de un estado a otro.

Haier America  
New York, NY 10018





¡Bienvenido al mundo del lavado portátil compacto de Haier!

La secadora con extracción del aire HLP140 se instala sobre cualquiera de las lavadoras portátiles compactas de Haier.

- Eficiente, compacta y portátil
- Fácil instalación y uso
- Utiliza tomacorrientes estándar convenientes de 120 voltios de corriente alterna, 15 amperes
- ¡Puede instalarlas en cualquier lugar!  
La secadora compacta perfecta para su lavadora compacta.

## SECADORA



Modelo de la secadora con extracción de aire compacta de 120 voltios: HLP140  
2,6 pies cúbicos (7,7 libras) Secadora portátil por centrifugado con extracción de aire

- Secadora por centrifugado eficiente de 1100 vatios
- Utiliza tomacorrientes estándar convenientes de 120 voltios de corriente alterna, 15 amperes
- Control digital de fácil manejo
- 4 configuraciones de ciclo de secado / 3 configuraciones de temperatura
- Señal de fin del ciclo
- Tiempos de secado: 30, 60, 90, 120 y 150 minutos
- Se instala en la pared sobre cualquier lavadora
- Se enchufa en cualquier tomacorriente del hogar y utiliza tomacorrientes de 120 voltios y 15 amperes, no es necesario el cableado adicional

Dimensiones de la unidad (ancho x profundidad x altura):  
24,8" x 16,73" x 26,97"

# IMPORTANT

## Do Not Return This Product To The Store

If you have a problem with this product, please contact the  
"Haier Customer Satisfaction Center" at 1-877-337-3639.

DATED PROOF OF PURCHASE, MODEL # AND SERIAL # REQUIRED FOR  
WARRANTY SERVICE

# IMPORTANT

## Ne pas renvoyer cet appareil au magasin.

Si vous avez un problème avec cet appareil, veuillez contacter  
le service à la clientèle de Haier au 1-877-337-3639.

IL EST OBLIGATOIRE DE FOURNIR UNE PREUVE D'ACHAT DATÉE, LE NUMÉRO DU MODÈLE  
ET SON NUMÉRO DE SÉRIE AFIN DE BÉNÉFICIER DE LA COUVERTURE DE LA GARANTIE.

# IMPORTANTE

## No Devuelva Este Producto al Establecimiento Compra.

Si tiene problemas con este producto, por favor póngase en contacto con el  
"Centro Haier de Atención al Cliente" en el 1-877-337-3639.

PARA EL SERVICIO DE GARANTÍA SE REQUIERE PRUEBA DE COMPRA, FECHADA,  
No. DE MODELO Y No. DE SERIE



115 V, 60 Hz

Made in China  
Fabriqué en Chine  
Hecho en China

# Haier®

Haier America  
New York, NY 10018

Printed in China

HLP021-WM  
100421 1207

Part # WD-9999-14

## Free Manuals Download Website

<http://myh66.com>

<http://usermanuals.us>

<http://www.somanuals.com>

<http://www.4manuals.cc>

<http://www.manual-lib.com>

<http://www.404manual.com>

<http://www.luxmanual.com>

<http://aubethermostatmanual.com>

Golf course search by state

<http://golfingnear.com>

Email search by domain

<http://emailbydomain.com>

Auto manuals search

<http://auto.somanuals.com>

TV manuals search

<http://tv.somanuals.com>