

Haier

AUTOMATIC DRUM WASHING MACHINE

**HM500X HM500TX
HM600X HM600TX**

INSTRUCTIONS FOR
INSTALLATION AND
OPERATION

0020504797

Dear customers, congratulations. You have once again made a wise and sensible purchase. By choosing our Washing machine you not only found the best in advanced technology, but above all you have found a faithful, untiring and reliable friend.

Your machine is strong, reliable and long lasting. All those qualities which have made the our trademark famous the world over.

From today, these qualities are at your disposal to help you resolve your daily household problems.

Your machine is easy to use. Read this owner's manual carefully since contains all the instructions for safe installation, use and maintenance. Remember to keep your owner's manual in a safe place so that you can refer to it whenever you need to.

FUNCTION INTRODUCTION.....	3-5
INSTALLATION.....	6-8
CLOSE UP.....	9-11
USING INSTRUCTIONS.....	12-16
MAINTENANCE.....	17
SOLUTION TO PROBLEMS.....	18-19
ATTACHED CHART:	
GUIDE FOR SELECTING PROGRAMME.....	20-21
WARNING.....	22

FUNCTION INTRODUCTION

FUNCTION COMPARING TABLE

FUNCTION \ MODE	HM600TX	HM500TX	HM600X	HM500X
Washing capacity	5kg	5kg	5kg	5kg
Programmes	16	16	16	16
Cotton	●	●	●	●
Synthetic	●	●	●	●
Wool	●	●		
Thermostat adjustable(0-90 C)			●	●
Cold wash button	●	●		
Economic wash button	●	●	●	●
No soak	600r/min	500r/min	600r/min	500r/min
Spin speed				
Power switch ON/OFF	●	●	●	●
	●	●	●	●
Rinse	●	●	●	●
Plustic tub	●	●	●	●
Door-locking device	●	●	●	●
Power	330W	330W	330W	330W
Power(Wash)	650W	650W	650W	650W
Power(Spin)	63Kg	63Kg	63Kg	63Kg
Weight				

HXDXW

850X520X595mm

FUNCTION INTRODUCTION



Characteristics of HM600X HM500X

- European and Asia Aesthetic design, elegant and beautiful.
- Three types of wash: rinse, beat and rain effect.
- Changeable washing function: cold wash and hot wash, No soak
- Three types of laundry: cotton, synthetic and wool, with 16 cycles.
- A large washing capacity: 5 kg.
- Stainless steel drum; painted cabinet with three layers of cataphoresis, phosphorus and paint.
- Rinse with anti-crease system, care for clothes.
- Super anti-shock design.
- Self-lock device for the door.

FUNCTION INTRODUCTION



Characteristics of HM600TX HM500TX

- European and Asia Aesthetic design, elegant and beautiful.
- Three types of wash: rinse, beat and rain effect.
- Changeable washing function: cold wash and hot wash, No soak
- Three types of laundry: cotton, synthetic and wool, with 16 cycles.
- A large washing capacity: 5 kg.
- Stainless steel drum; painted cabinet with three layers of cataphoresis, phosphorus and paint.
- Rinse with anti-crease system, care for clothes.
- Super anti-shock design.
- Self-lock device for the door.

Installation

Unpacking levelling and positioning

Remove the package and check that the machine is undamaged.

If you have any doubts, do not use the machine and call on a qualified technician. Keep all packing parts (plastic bag, foam rubber, screws etc.) out of the reach of children since they could be dangerous.

Important: The inside of the washing machine which consists of a floating unit, is fixed with screws at the back of the cabinet (Fig.1) during transport. Before starting the machine remember to release the floating unit by removing the above screws. To prevent water spray from entering the machine, remember to close the holes left open by the screws with the plastic caps provided in the packet containing the owner's manual. And rescrew the holes where the iron piece is taken down with the former two screws. Attention: keep the packing screws and plastic caps in a safe place for later use. It is important for the machine to be perfectly level (the angle of inclination on the work surface must not be more than 2 degrees). For this reason the machine is fitted with adjustable feet used for levelling the machine before use (Fig.2). In the case of flooring with carpeting, remember to check that the ventilation in the support area is not plugged.

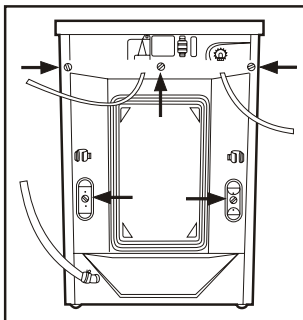


Fig.1

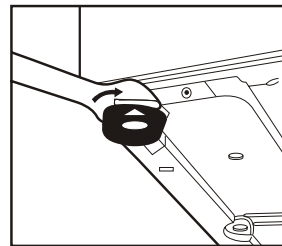


Fig.2

Installation

Electric connection

Connect the plug to a socket provided with efficient earthing. Or use the spare earthing wire supplied together with the machine and the earthing terminal located on the left-upper corner of the back of your machine (Warning: this appliance must be earthed as a safety measure according to the law). Make sure that the voltage and frequency available correspond with the values stated on the data plate located at the back of the machine and that the electric system is dimensioned to withstand the maximum current shown on the data plate. If the socket the machine is connected to does not correspond with the plug, replace the plug with a suitable one and avoid using adaptors or shunts since they could cause overheating and burn out. The spare earthing wire is absolutely not allowed to be connected to water pipe, heating pipe or other kinds of pipes.

Connection of tap and Loading Hose

Connect the inlet hose to a cold water tap with a 3/4 gas threaded opening, and fit the filter and the rubber gasket supplied with the washing machine. Check that it is tightly screwed to the tap (Fig. 3).

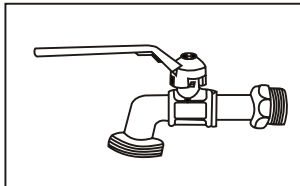


Fig. 3

If the water piping is new or has not been used for a long time, before making the connection, let the water run until it is clear and free from impurities.

This step is necessary to ensure that the incoming water does not clog and possibly damage the machine.

Installation

Connection of the Drain Hose Connect the drain hose to a drain duct (with internal diameter of at least 4 cm.) or place it for drainage into a sink or a tub, ensuring that there are no kinks or bends. The free end must be at a height of between 80 and 100 cm. Should it be necessary to fix the end of the hose at a height of less than 80 cm from the floor, the hose must be fixed in the appropriate hook on the upper part of the back panel (Fig.4) or use the supplied support to fix the drain hose.(Fig.5)

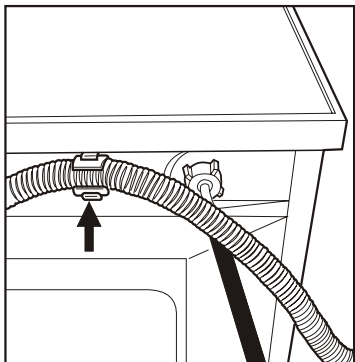


Fig.4

Connecting Water Supply

Insert stainless steel screen washers into end of each supply hose and attach that end of supply hose to your 3/4" water tap spigot. Be sure that you match up cold water to "C". Note: Home Centers also have "Y" connectors and "Couplings" which enable you to connect the machine to your sinks faucet.

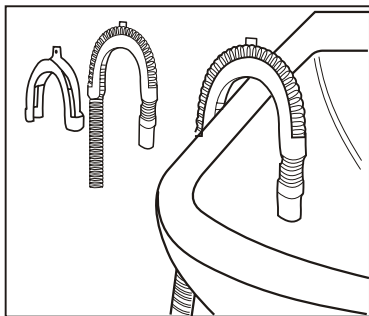
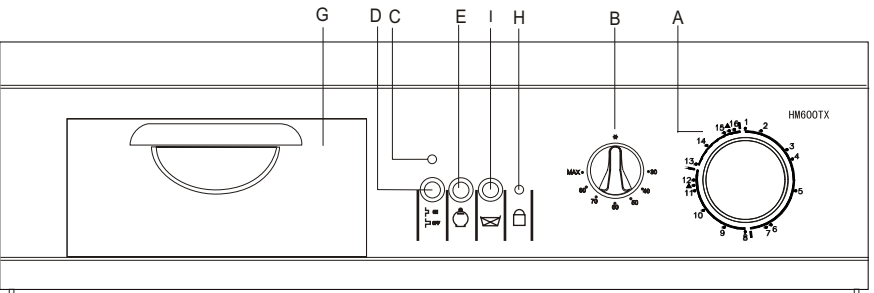
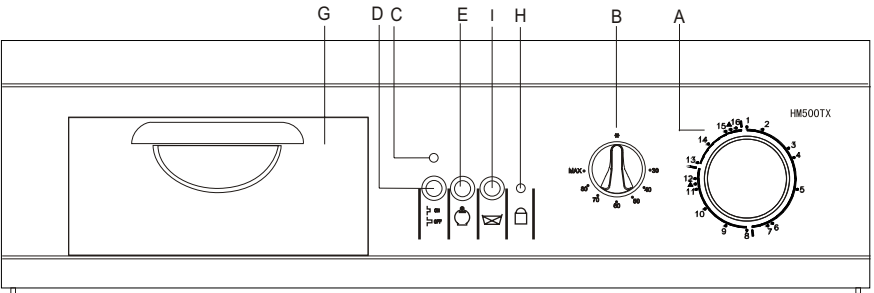
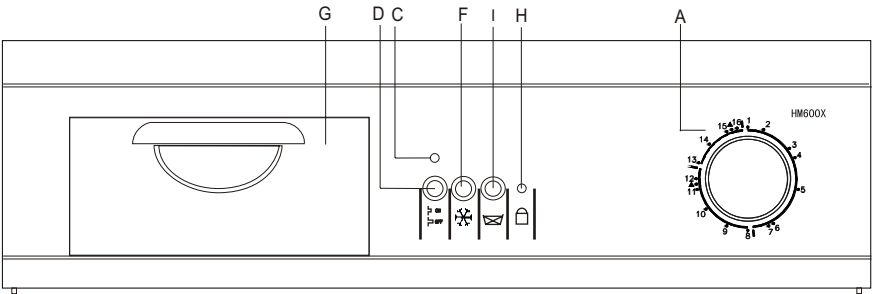
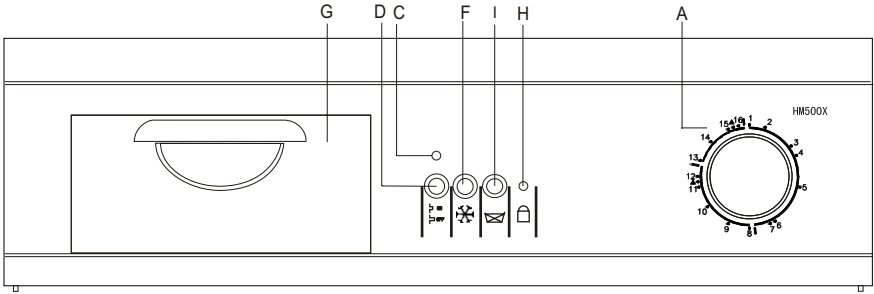
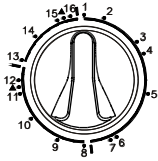


Fig.5

Close up



Close up



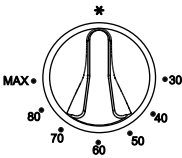
A Programme selector Knob.

By turning this dial (clockwise only) you can select from sixteen wash programmes the one most suited for your washing.

1~7 cotton cycle

8~12 synthetic cycle

13~16 wool cycle



B Programme selector Knob.

With this dial you can set the wash temperature that you desire. For synthetic and wool, the thermostat works below 60 °C and 40 °C respectively.

When the dial is located at “*”, a cold wash is available



C Power Light

This light indicates whether the electricity is on or off. The light comes on when button D is pressed and goes off when button D is not pressed.



D ON/OFF Button

ON/OFF button. Supplies electrical power to the machine.



E Economic Wash Button.

It reduces water and power consumption when rinsing if the machine does not have a full load. (Less than 3kg)

Close up



F Cold wash button.
Press it you get a cold wash.
Release it you get a heating wash.
For cotton, water can be heated to 80°C.
For synthetic, to 60°C and for wool, to 40°C

G Detergent Dispenser.
The detergent dispenser is divided into 4 compartments marked 1, 2, A, C: (See Fig.8)
1 Pre-wash detergent
2 Wash detergent
A Softeners, conditioners, perfumes
C Bleach

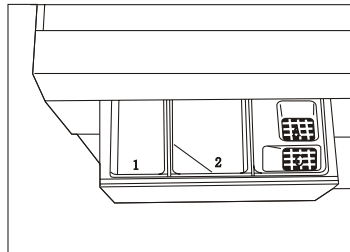
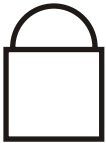


Fig.8



H Door Lock Light

Remember that only when the washer doesn't work, we can open the door. After the washing program finish, after 3 minutes, when the self-lock meter turn off, we can open the door.



I No Soak Button

For the synthetics cycle and the wool cycle, push the button down, the anticrease function will be skipped and automatically enter into the next step; Release the button, the anti-crease function will work again.

Using instructions: Your machine offers the best results when...

The weight is right

In order to get the excellent results that you would expect from your washing machine, it is important to load the washer correctly. You should therefore choose the quantity of each type of fabric that you want to wash. This table will help:

Colour fast fabrics	maximum load 5 kgs/11 lbs
Delicate fabrics	maximum load 2 kgs/2.5 lbs
Woollens	maximum load 1 kg/2.2 lbs
Mixed fabrics	maximum load 2.5 kgs/5.5 lbs

Laundry has been loaded correctly

Divide the laundry by fabric and degree of soiling loaded making the loads as uniform as possible.
Pull the handle out to open the door.

Place the laundry in the machine remembering to arrange uniformly.

Using instructions:Your machine offers the best results when...

The correct programme has been chosen

A perfect wash depends above all on choosing the most suitable programme. We would therefore advise you to divide up your washing into separate loads of more or less the same types of fabric. This will make it easier to select the best programme.

Hints on choosing the programme are shown in the table on pages of this manual.

Once you have selected a programme, just turn dial

A clockwise until the chosen programme lines up with the indicator line on the fascia panel.

Anti-crease

When your machine is washing synthetic fabrics or woollens, the wash cycle stops before the last spin cycle, with the laundry soaked in water in order to prevent the formation of creases due to spinning. Complete the wash cycle with a spin cycle or simply drain the water from the washing machine without spinning.

For the spin cycle, turn the selector knob **A** clockwise by one step.

To drain, set the selector knob **A** on drain programme in both cases, before turning the knob **A** remember to switch OFF the ON/OFF button **D**.

Using instructions: Your machine offers the best results when...

The detergent has been put in properly

The 4 compartments marked 1, 2, A and C (Fig.9) should be used as follows:

- 1 Pre-wash detergent
- 2 Wash detergent
- A Conditioner, starch, scents
- C Bleach

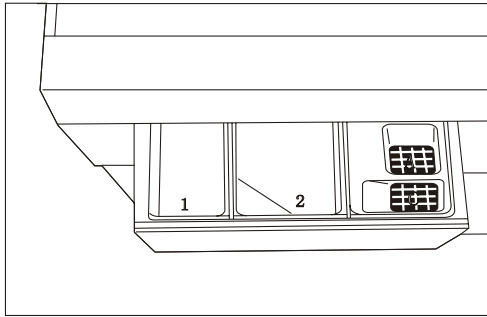


Fig.9

Remember that it is important to use the right amount of soap powder or liquid for the type of laundry you are washing; the amount of detergent you use depends on a number of factors:

- Water hardness; if the water in your area has a high calcium content, we recommend using an anti-limestone additive.
- degree of dirtiness; increase the amount of soap powder used in the case of heavily soiled laundry.
- laundry load; the smaller the load the less soap powder you will need to use.

Using instructions:Your machine offers the best results when...

The following table will guide you:

Laundry	Compartment.1 prewash	Compartment.2 wash	Compartment.A	Compartment.C
Normally soiled	1/2 measuring cup	1 and 1/2 measuring cups	Softeners (see note 'A')	Bleach (see note 'C')

When using concentrated detergents, remember to keep to the manufacturer's instructions using only the measuring cups supplied with the packet.

Use more detergent in the case of very hard water (more than 21.F), but remember to maintain the proportion between the prewash and wash cycles.

Liquid detergent

The liquid detergents currently available on the market may be used with the washing machine. Use compartment 2 for very dense liquid detergents. Follow the manufacturer's instructions when using liquid detergents sold with the ball detergent dispenser. Place the ball dispenser in the tub of washing machine together with the laundry.

The prewash cycle may not be used with liquid detergents.

Note "A"

For soft and fluffy laundry always a softener in the final rinsing cycle.

Note "C"

Bleach is ideal for removing stains (e.g.tea, coffee, fruit, red wine) on resistant fabrics like cotton, hemp and linen provided the wash care label indicates that the garment may be bleached.

Place the bleach in compartment C before you start the machine without exceeding the maximum level. your machine will load the bleach automatically when necessary .when necessary.

Never place bleach in the other compartments.

Using instructions: Your machine offers the best results when...

The cycle is started

You can now start washing. We would advise you, especially the first few times, to check that the programme that you have set is really the one you want and that the fabric selection is correct.

If you want to start the cycle immediately, press the ON/OFF button D.

The wash is finished

At the end of the chosen cycle, the machine will stop automatically.

Press the ON/OFF button D to switch off the power (light C will turn off).

Maintenance: five simple precautions for this machine

Your machine is designed to last without complicated maintenance.

All the same, we would ask you to take care of a few small matters. If you follow these four simple rules, we are sure that the washing machine will stay as your faithful friend and helper for a long, long time.

1. Ensure that your machine was installed according to the installation manual that comes with this booklet.
2. Avoid at all costs using solvents either to clean the machine, or to do the wash. when clean the machine, cut off the power.
3. Clean the detergent dispenser every so often. This is very simple and should be done with water. Your machine has an extractable dispenser to make it even easier. Just pull it upwards and out.
4. If it is long time no use, you'd better cut off the power, switch off the tap, and open the door to avoid unpleasant smell.
5. Your washer is equipped with a self-cleaning pump. It is therefore not necessary to carry out cleaning and maintenance operations.
Open the cover of the filter, loosen the knob in counter-clockwise rotation, then take out the filter and clean it with water, every month.(see Fig.8)

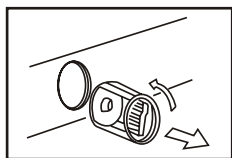
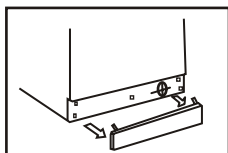


Fig.8

Note: Reassembly the filter carefully after cleaning, ensuring it is fit perfectly and no water can come out.

Solution to Problems

Even though your washing machine has been carefully designed and constructed, something could still go a miss with your machine. Before rushing to phone one of our service centres, however, please check that the operations listed below have been carried out. In many cases you will save time, money and bother. Our statistics show that many of the calls received by our service centres could have been avoided with just a little more attention.

The washing machine won't start

Check that:

- the plug is pushed right into the mains socket;
 - the door is closed tightly;
 - the "ON/OFF" button has been pressed.
-

The washing machine won't fill with water

Check that:

- the tap is open and properly connected to the inlet pipe;
 - the inlet pipe is not bent.
-

The machine fills and drains continuously

Check that:

- the drain pipe is placed at least 80 cm/32 inches above ground level.
-

The machine will not drain the water

Check that:

- the drain pipe is not blocked;
 - the drain pipe is not connected at a height more than 1 metre/40 inches above ground level.
-

There is too much foam in the tub

Check that:

- the detergent being used is meant for automatic machines and not for washing by hand;
 - that the amount used is that shown in this manual and not more.
-

Solution to Problems

The machine vibrates too much when spinning

Check that:

- the transit bolts have been removed (see installation manual);
 - the machine is level;
 - the washing load is according to the instructions given in this booklet.
-

The machine stops operating before finishing

Check that:

- there is a sudden power failure or water stop.
- the machine is in the normal state of rinse.

Guide for selecting programme

Type of fabric & degree of dirtiness	Position Program Knob	Detergent in compart 1	Detergent in compart 2	Softeners in compart A	Bleach in compart C	Description of wash cycle (Press cold-wash button, then a cold wash is available)
Heavily soiled white laundry and fast colours	1	●	●	●	●	Prewash at 40°C-wash cycle 90°C-rinse-spin
Heavily soiled white laundry and fast colours	1	●	●	●	●	Prewash at 40°C-wash cycle 60°C-rinse-spin
White and fast colours	2		●	●		Wash cycle at 60°C-rinse-spin
Normal white and fast colours	3		●	●		Wash cycle at 60°C-rinse-spin
Mixed cotton+synthetic fabrics with fast colours	3		●	●		Wash cycle at 50°C-rinse-spin
Fabrics with delicate colours	4		●	●		Wash cycle at 40°C-rinse-spin
Rinse	5			●	●	Rinse with automatic introduction of softener-spin
Softeners	6			●		Rinse with automatic introduction of softener-spin
Spin cycle	7					Draining and spin
Heavily soiled synthetic fabrics with fast colours	8		●	●		Wash cycle at 60°C-rinse-anti-crease (Fabric is soaked in water)
Synthetic fabrics with fast colours	9		●	●		Wash cycle at 40°C-rinse-anti-crease
Rinse	10			●		Rinse with automatic introduction of softener-anti-crease soak
Softeners	11			●		Rinse with automatic introduction of softener-anti-crease soak
Washing machine stops, clothes are soaking in water	▲					Push down the no soak button or manually turn timer knob ▲, the machine will continue to work
Spin cycle	12					Draining-spin
Wool cycle						
Woolens	13		●	●		Wash cycle at 40°C-rinse-anti-crease soak
Rinse	14			●		Rinse with automatic introduction of softener-anti-crease soak
Softeners	15			●		Rinse with automatic introduction of softener-rinse-anti-crease soak
Washing machine stops, clothes are soaking in water	▲					Push down the no soak button or manually turn timer knob to the symbol ▲, the machine will continue to work
Drain water	16					Draining (the drum does not rotate)

Warning:

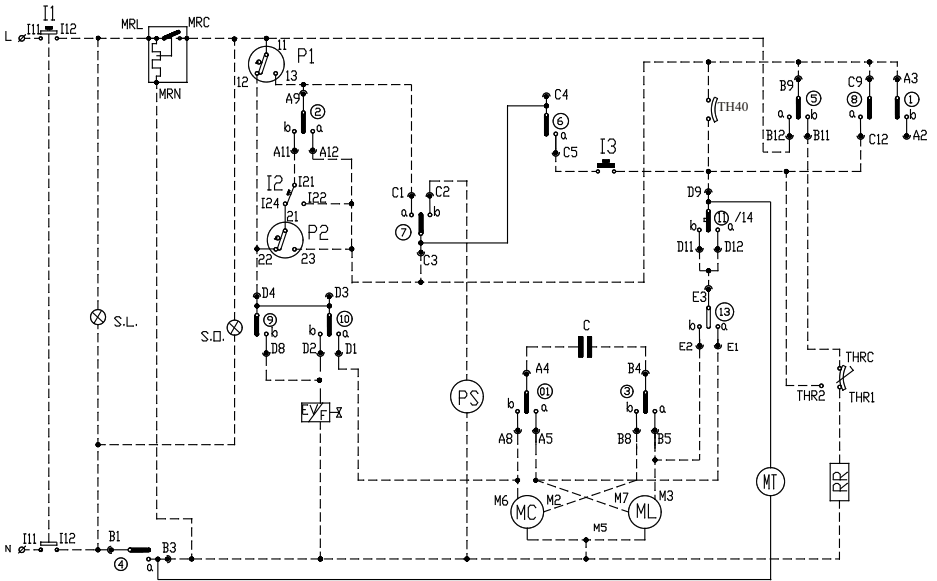
1. If the supply card is damaged, it must be replaced by a special card or assembly available from the manufacturer or its service agent.
2. If a stationary appliance is provided with a supply card and a plug, the instructions shall state that the appliance must be positioned so that the plug is accessible.

Note: this requirement does not apply if the appliance incorporates other means for disconnection from the supply.

3. For washing machines with ventilation openings in the base, that a carpet must not obstruct the openings.
4. The instructions shall state that the appliance is to be connected to the water mains using new hose-sets and that old hose-sets should not be reused.

Note: this instruction is not required if the hoses are permanently attached to the appliance.

WIRING CIRCUIT (HM600TX HM500TX)



I1=ON/OFF

I2=ECONOMIC WASH

I3=NO SOAK

L Line

P2 2- level pressure switch

N Neutrol

MT Timer motor

SL Line LED

RR Heating element

SO Door lock

PS Drain pump

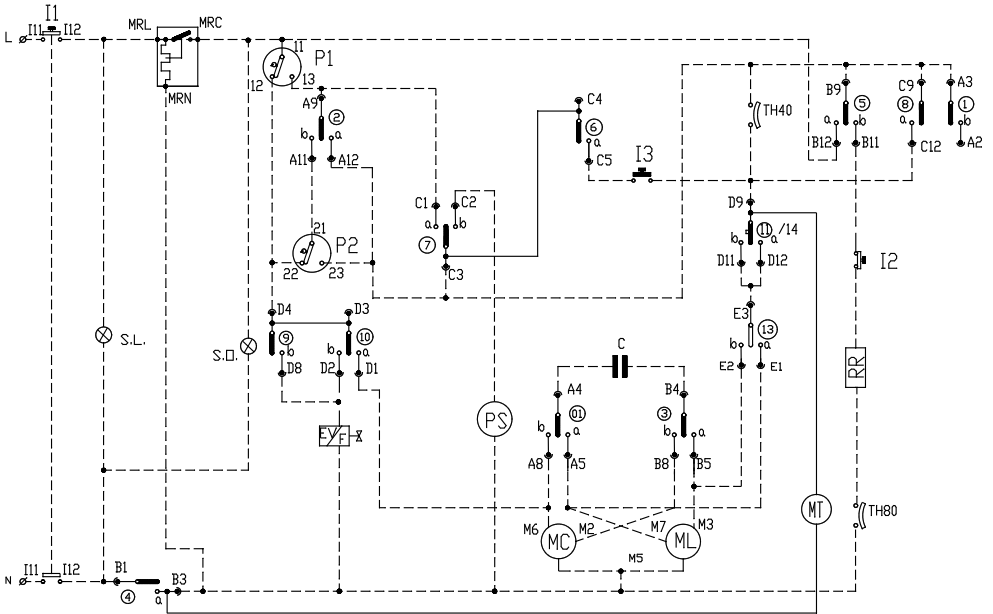
MR Thermol lock

TH40 40°C thermostat

EVF Cold water electrovalve

P1 1- level pressure switch

WIRING CIRCUIT (HM600X HM500X)



I1=ON/OFF

I2=COLD WASH

I3=NO SOAK

L Line

P2 2-level pressure switch

N Neutrol

MT Timer motor

SL Line LED

RR Heating element

SO Door lock LED

PS Drain pump

MR Thermal lock

TH40 40°C thermostat

EVF Cold water electrovalve

TH80 80°C thermostat

P1 1-level pressure switch

Free Manuals Download Website

<http://myh66.com>

<http://usermanuals.us>

<http://www.somanuals.com>

<http://www.4manuals.cc>

<http://www.manual-lib.com>

<http://www.404manual.com>

<http://www.luxmanual.com>

<http://aubethermostatmanual.com>

Golf course search by state

<http://golfingnear.com>

Email search by domain

<http://emailbydomain.com>

Auto manuals search

<http://auto.somanuals.com>

TV manuals search

<http://tv.somanuals.com>