

# Haier Automatic Drum Washer Operating Instructions

# Haier



Models:

HW60-B12866NZP

## Contents

1. Notice before Use
2. Safety Precautions
3. Precautions for Use
4. Preparations before Washing
5. Operational Procedure
6. Control Panel and Program Description
7. Display Screen Description
8. Other Functions
9. Fault Clearance
10. Cleaning/Maintenance

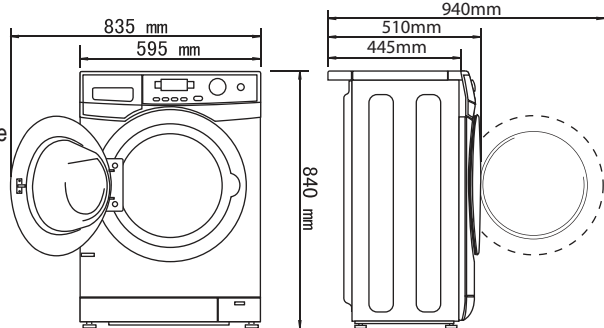
- Technology of variable frequency drive
- Technology of power-down memory
- Technology of automatic selection

Please read this manual carefully before use. Please keep this manual in a safe place for future reference.

## Specifications

Power supply	220-240V/50Hz
Water inlet pressure	(0.001-1.0)MPa
Rated washing capacity	6.0kg
Rated spinning capacity	6.0kg
Spinning speed	1200r/min
Washing noise	50dB (A weighted)
Spinning noise	68dB (A weighted)

- This product is classified as Class I appliance. Please pay attention to electrical safety during use.
- The diagrams in this manual are for illustrative purpose only. In consideration of continuous product improvement, please see the actual product for the appearance, color and accessories which may be inconsistent with those described in this manual. We hereby apologize for this.

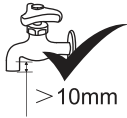


## 1. Notice before Use

Please install and adjust the washer according to the instructions in this manual so that you can use it in a correct and safer manner.

### To connect the water inlet pipe

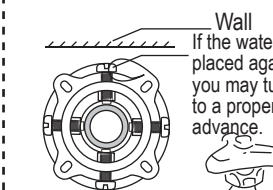
1. Select a proper water tap



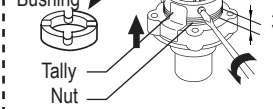
The length of front end must be more than 10mm. If the end face of water tap outlet is unsmooth, please file it smooth to avoid water leakage.

2. Remove the water inlet pipe joint

1. Press the lower end of locking lever,
2. Hold the water inlet pipe, press down the slider and remove the water inlet pipe joint;



If the water tap is placed against the wall, you may turn this screw to a proper position in advance.



3-4 turns

4. Connect the water inlet pipe

1. Press down the slider and insert the water pipe into the water inlet pipe joint;
2. Hook the water inlet pipe joint with the locking lever, then loosen the slider until a "pop" is heard.

5. Connect to the washer

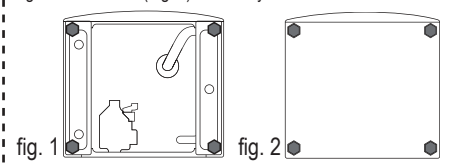
1. Ring the nut at the other end of water inlet pipe onto the water inlet valve joint;
2. Tighten and confirm the nut of water inlet pipe in place.

6. Check the water inlet pipe for good connection

1. Check for firm connection;
2. After installation, turn on the water tap and check for water leakage;
3. Before every use of the washer, please check for firm connection between the water inlet pipe and the water tap;
4. Never forcibly bend the water inlet pipe.

### Installation of the rat guard

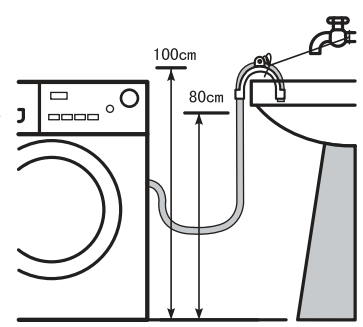
1. Remove the adhesive from the back side of the felt and paste the felt onto the back side of the protection board in a symmetrical position to the board's corners;
2. Incline the washer backwards and remove four felt(Fig.1);
3. Place the side with dimpled grain of rat guard inwards, then pass foot bolts through four holes and tighten them to fix the rat guard to the shell(Fig. 2) and finally level the washer.



### Drain pipe

The outlet end of drain pipe must be higher than 80cm and the highest point must be less than 100cm. To prevent the drain pipe from coming off, you may secure it to its clamp at the back of washer or to the firm holder as shown in the figure.

It is not recommended to extend the drain pipe. If the extension pipe exceeds 2.5m in length, simultaneous water feeding and drainage is likely to occur. Please contact our After-sales Service Department for the extension of drain pipe.



### Adjustment of the feet

Be sure to adjust four feet to level the washer before use.

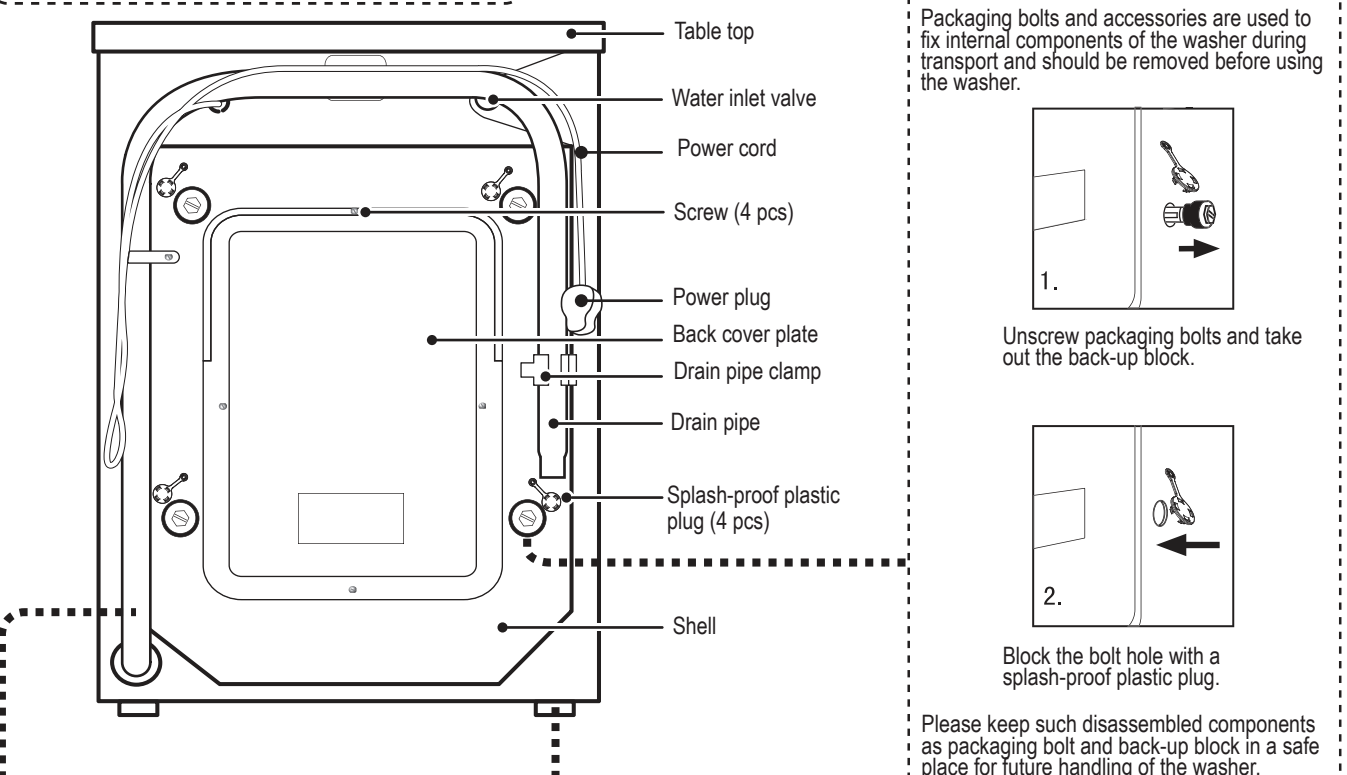
After finishing the adjustment of four feet, turn the foot support nuts to cling to the shell in order to support the washer.

### Distributor boxes

(Add a proper amount of detergent required by washing)

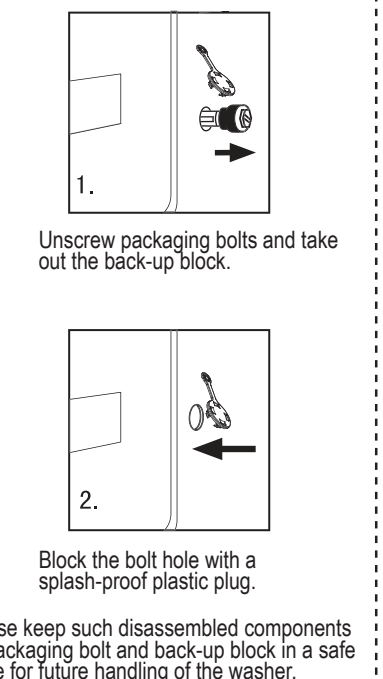
- Pre-wash detergent box
- Main wash detergent box
- Softener and bleach box

- When selecting the pre-wash function or the pre-wash program, add detergent into the pre-wash box to pre-wash the clothes;
- As for the dosage of detergent, please refer to the instructions for detergent. Excessive detergent may result in too many bubbles and spill as well as affect its dissolution. Special low foaming detergent for drum washers shall be used. When washing synthetic or wool fabrics, be sure to use special detergent;
- The level of softener or liquid detergent should not be higher than the "MAX" mark of a distributor box. Concentrated softener or liquid detergent should be diluted before being added into a distributor box.



### Packaging bolts and accessories

Packaging bolts and accessories are used to fix internal components of the washer during transport and should be removed before using the washer.



Please keep such disassembled components as packaging bolt and back-up block in a safe place for future handling of the washer.

### Accessories

- Water inlet pipe Assy: 1
- Drain pipe holder: 1
- Rat guard: 1
- Felt: 1
- Operating instructions: 1

## 2. Safety Precautions

**Electrical safety prompt:** Please pay attention to electrical safety when using the washer.

**Warning sign:** The contents with this sign involve the safety of both the product and user. Be sure to strictly follow these instructions, otherwise the washer may be damaged or the user may be injured.

**Prohibitory sign:** The contents with this sign indicate the behaviors to be absolutely prohibited. Failure to follow these instructions may result in damage to the washer or personal injury.

1. The plug should be accessible after the washer is installed in place. Do not disconnect the plug from the socket by pulling the power cord. If the power cord needs to be replaced, ask a qualified person or contact our After-sales Service Department for replacement. Prevent the power cord from being pressed by any foot and from such problems as break-off, flattening, etc.
2. Power supply must use a separate socket, the grounding terminal of which must be reliably grounded.
3. Such overload protective devices as proper fuse must be available at the user's home. And, the ammeter, wires and socket must be able to withstand the current of 10A.

1. Keep the washer away from any heat source and direct sunlight to prevent aging of plastic/rubber parts.

1. Do not use such chemicals as flammable detergent and dry-cleaning solvent to wash the clothes. Do not use any organic solvent or corrosive liquid to wipe the exterior and rubber parts of the washer. Do not use any flammable spray near the washer. In case of flammable gas leakage, do not plug in or unplug the washer. Do not use the washer near the environment with flammable and explosive gas or liquid such as biomass pool, etc.
2. The washer's door is relatively hot during heating. For the purpose of safety, keep children away from the washer. In addition, when draining hot water, be careful to avoid scald.
3. After unpacking the washer, do not allow children to play with the disassembled packaging materials such as carton, plastic packaging bag and foam, etc.
4. Do not install the washer outdoors and in excessively humid environment, otherwise the moisture on electrical components may easily cause damage to the ignition system or other accidents. In case of inadvertent water spray onto or into the washer, only after the washer thoroughly dries can you use it.
5. Neither place the washer directly on airproof carpet to prevent its bottom vent from being blocked nor close up to a wall or furniture to avoid accidents. Do not use the washer on any platform higher than the floor, otherwise it may fall off onto the floor and be damaged.

## 3. Precautions for Use

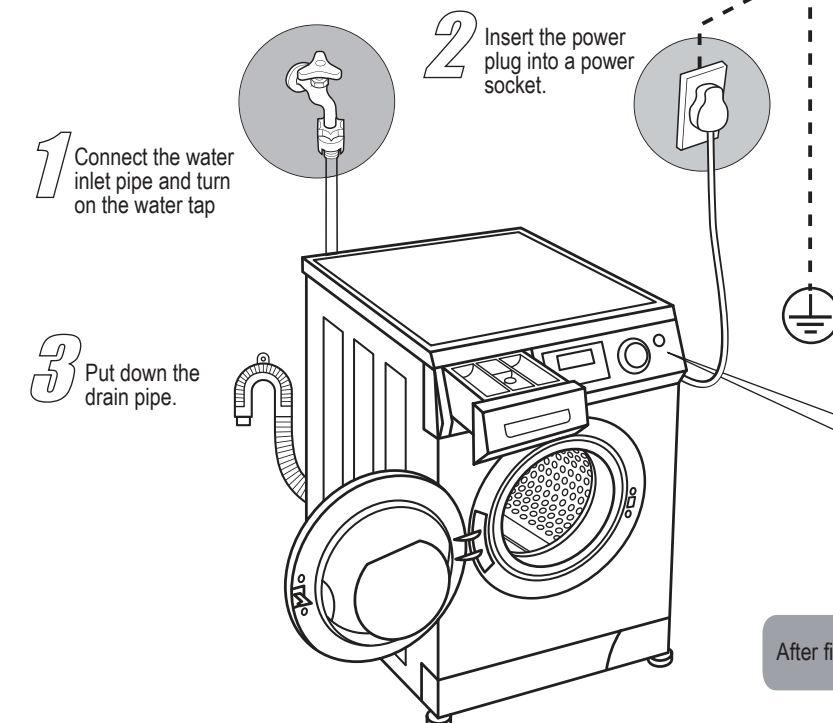
1. Due to fluctuation of water pressure, please check all the joints of water inlet pipe, water tap and drain pipe for firm connection before washing every time. In case of loose water pipe connection or water leakage, please turn off the water tap and take proper measures or contact our After-sales Service Department for reconnection. Only after such faults are cleared can you use it again.
2. Using the washer at 0°C and below may damage the water inlet valve and drainage system. If the washer is stored at 0°C and below, be sure to move and leave it in the environment at room temperature for 2-4 hours before use.
3. It is recommended that the washer be installed in a location with floor drainer.
4. Do not place any heavy object, heat-producing appliance and item liable to water/liquid leakage to avoid the deformation of table top and plastic parts.
5. Do not wash such waterproof articles as raincoat, bicycle cover and down products as well as carpet to avoid abnormal vibration or the damage to articles.
6. If a brassiere with steel wire is washed in the washer, the steel wire may bounce out. Therefore, do not wash any brassiere with steel wire in order to protect the washer.
7. Do not put the clothes tainted with chemicals into the washer.
8. Do not open any detergent distributor box during the program operation to avoid some detergent leaving in the box.
9. The washer's door is equipped with self-lock safety device. Only when the washer is in safe state (the water level is below the lower edge of sight glass, the temperature inside the drum is below 50°C, the inner drum is not rotating) can you unlock the door. Never forcibly open the door before the washer reaches the safe state to avoid damage to the door or scald. "Click" will be heard when opening the door. It is normal and arises from the working principle of electromagnetic lock's internal structure.
10. Cut off the water supply and power supply after finishing washing every time. Moreover, clean the sight glass window pad infrequently to prevent contaminants from tainting the clothes again or the surface of window pad from going moldy.
11. When the washer is not in use, please keep the door slightly open to avoid unpleasant smell. Do not cover the washer with a plastic bag to avoid moisture staying in the washer.
12. If the washer is feed water from a water tank and the difference between the lowest height of water level in the water tank and the highest height of washer (table top) is 0.1-0.5m, put a proper amount of detergent along with the clothes into the washer's inner drum or dilute the detergent and add it in the washer through corresponding detergent before washing to prevent it from staying in the washer and affecting the washing and rinsing effect. It is not recommended to select the prewash function and add softener in the washer in the above-mentioned situations.
13. Washing capacity

Fadeless cotton fabric	Terylen fabric/blend fabric/chemical fiber fabric	Wool fabric
6 kg	3kg	1kg

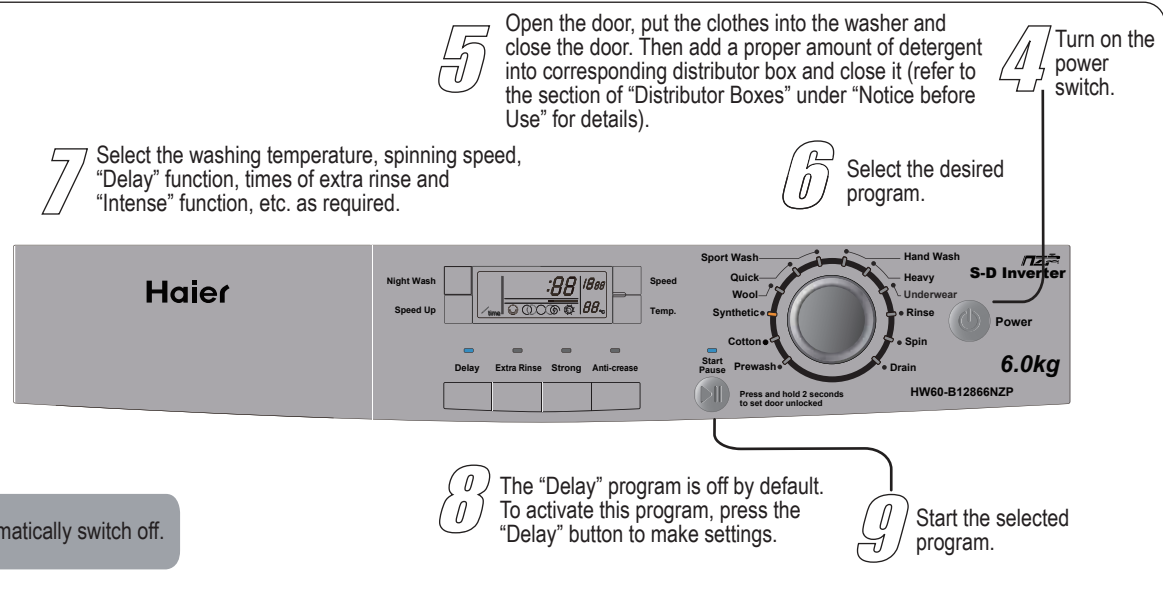
## 4. Preparations before Washing

- Check the clothes for special washing requirements and make sure that the clothes are suitable for washing with a washing machine and water in order to avoid the deformation and damage of the clothes.
- For the clothes tainted with much mud and dust, please remove them before washing.
- Wash those clothes liable to color fading separately from other clothes.
- Check pockets and remove coins, sand, hairpin and other things from them.
- Tie the ties, buckle the buttons, zip the zippers and sew the openings.
- To avoid the sound from buttons, please turn those clothes with buttons inside out before putting them into the washer.
- Please unfold and fluff out the clothes before putting them into the washer. Furthermore, do not overload the washer.
- When washing small articles (e.g. handkerchief, gloves and socks, etc.) and those clothes liable to interwist and wear, please put them into net bags for washing, rinsing and spinning to prevent them from falling between the inner drum and window pad and further avoid incomplete washing or damage to top-grade clothes. The weight of articles in each net bag should not exceed 300g and the net bags should not be washed together with those clothes not in a net bag, otherwise the washer will not be balanced, resulting in abnormal vibration.

## 5. Operational Procedure



After finishing washing, the washer will automatically switch off.



## 6. Control Panel and Program Description

**Programs Guide**

Prewash	For prewashing relatively dirty cotton-fiber fabrics
Cotton	For washing cotton fabrics
Synthetic	For washing chemical fiber fabrics
Wool	For washing wool fabric
Quick	For washing slightly dirty cotton and chemical fiber fabrics
Sport Wash	For washing sport wear
Hand Wash	For washing the hot to dry cotton fabrics or chemical fiber fabrics
Heavy	For washing jeans clothes and big fabrics
Underwear	For washing cotton underwear or children's clothes
Rinse	For washing the clothes only
Spin	For spinning the clothes only
Drain	For draining the water only

**Control Panel Functions:**

- Power button:** Press the "Power" button to switch on the washer. Press this button again and hold it for 2s to switch it off.
- Child lock:** Press the "Child lock" button to switch on the child lock. Press this button again and hold it for 2s to switch it off.
- Water leakage:** Press the "Water leakage" button to stop the washer if there is a water leakage.
- Start/Pause:** Press the "Start/Pause" button the washer will start and the indicator will flash on. If the indicator is lit, the washer will stop and the indicator will flash. If not open the door, the door will open automatically after 30 seconds on the door. Press this button again and hold it for 2s to switch it off.
- Temp. selection:** Press the "Temp." button to select heating temperature (-30, 40, 50, 60, 90). This maximum allowable heating temperature varies with programs.
- Speed selection:** Press the "Speed" button to select spinning speed. The maximum allowable spinning speed varies with programs.
- Display screen:** It displays washing time, remaining washing time, set speed, set temperature, child lock status, times of extra rinse, door lock state, washing progress and alarm message, etc.
- Night Wash:** Press the "Night Wash" button, the icon will light up, indicating this function is selected. After started, all buzzer sound is cancelled except error alarm sound; the maximum spin speed is 800 rpm.
- Speed up:** If "Night Wash" function was selected and the maximum spin speed higher than 800 rpm, the machine will adjust to 800 rpm automatically. All programs can select "Night Wash" function.
- Speed up button:** Press the "Speed up" button, the icon will light up, indicating this function is selected. This function may reduce the water and power consumption of washing.
- Start/Stop button:** This function is available before a washing program starts and may reduce the main wash time or a time of rinse for some programs.
- Delay button:** Press the "Delay" button, its indicator will light up, indicating this function is selected. The delay time (0.5-24h) increases by 30min each press of "Delay" button. The time of washing continuously if you press and hold this button until you release it.
- Extra rinse button:** Press the "Extra rinse" button, its indicator will light up, indicating this function is selected. You may increase the times of rinse (at most three times) before softening. "P" is shown on the display screen means the washer will carry out one more time of rinse.
- Soft Wash button:** Press the "Soft Wash" button to select or cancel the function of intensive washing.
- Anti-crease button:** Press the "Anti-crease" button to start optional door the dryer assistant and steam function.
- Spin button:** Press the "Spin" button to select or cancel the function of intensive washing.
- Drain button:** Press the "Drain" button to select or cancel the function of intensive washing.
- Child lock button:** Press the "Child lock" button to switch on the child lock. Press this button again and hold it for 2s to switch it off.

## 7. Display Screen

Numerical display area (after power-on, the time of last washing program is displayed in this area. It displays various preset codes, e.g. E-3e displayed at the time of trouble alarm).

**Display Screen Icons:**

- Door lock icon
- Child lock icon
- Night wash icon
- Speed up icon
- Prewash icon
- Main wash icon
- Rinse icon
- Spin icon
- Extra rinse icon

**Display Screen Information:**

- Spinning speed
- Program progress bar
- Heating temperature

**Notes:**

- The time shown on the display screen is only for reference and may be slightly different from actual time.
- When the "Prewash" program is selected, its icon will light up.
- When the selected program runs to the main wash, rinse or spin stages, the corresponding icon on the display screen will flash.

## 8. Other functions

**Power-down memory**  
With the power-down memory function, the washer can memorize the program's running state in case of power outage or power plug during washing and continue the formerly selected program after the power supply resumes.

**Cancel or restart a program during washing**  
(1) To cancel the running program, just turn off the washer; to restart a program, turn it on again.  
(2) To select any additional function when a program is running, just press the "Start/Pause" button, then select your desired additional function and finally press the "Start/Pause" again.

**Blending function**  
Select the "Spin" program, simultaneously press the "Delay" and "Extra rinse" buttons and hold them for 3 seconds, the beep of all the programs (including the alarm sound) will be silenced, and the display screen will show "1:17" or "1:17". Simultaneously press the two buttons and hold them for 3 seconds again, the beep of all the programs will resume and the display screen will show "1:17" or "1:17".

**Child Lock**  
After start, press the "Delay" and the "Start/Pause" button for about 3 seconds to activate the child lock, after the child lock was activated, all buttons are useless. After the child lock was activated, press the "Delay" and "Start/Pause" button for about 3 seconds to cancel it. After the child lock was activated, Power button is effective.

**Memory Backup**  
The washer can memory the program you selected last time and your washing custom just need to press the "Start/Pause" button to start the washing, no need to set to the program again. Of course, you can adjust the program before start.

## 9. Fault Clearance

The following phenomena are not necessarily faults of the washer. Please check against the following table before calling for repair. If any fault actually exists, please contact our After-sales Service Department and do not repair by yourself. Please pull out the power plug before check.

Code	Phenomenon	Reason	Solution	Display code	Code meaning	Solution
UNUSUAL WATER	There is a little water in the drain pipe and weather when using the washer for the first time	It is normal, the water in the remaining water of factory inspection		RUED	The washer is in automatic washing state.	
	The washer does not operate	Check whether power failure or abnormal power supply occurs Check whether the power plug is firmly inserted into the socket Check whether the fuse of power supply or the circuit breaker is in good condition Check whether the "Delay" function is selected Check whether the "Start/Pause" button is pressed		1:16	The remaining washing time is one hour and sixteen minutes	
	Buttons cannot be operated	Check whether the "Child lock" function is selected After starting to select other programs, please press the "Start/Pause" button and hold it for 2s to switch it off.		900	The spinning speed is set at 900 rpm	
	Water leakage occurs at the water tap	Check whether the water tap is in proper shape Check whether the water inlet pipe joint is installed in place Check whether the water tap is damaged		End	The whole program ends	
UNUSUAL SOUND	No water inflow or slow water inflow	Check whether the water tap is turned on and whether water supply cut-off occurs Check whether the water inlet valve is clogged (if necessary, clean the valve) Check whether the water tap and water inlet pipe both block		Err 1	Abnormal door locking or damaged door	Close the door if the problem occurred, please ask for repair
	Water leakage and water drainage occurs at the same time	Check whether the height of drain-pipe outlet is within the range of 80cm-100cm Check whether the drain-pipe outlet is immersed in the water		Err 2	Drainage fault	Clean the draining pump filter and check whether the drain pipe is clogged. If the problem remains, please ask for repair
	Water leakage and water drainage occurs at the same time	Check whether the washer balance or shake Check whether there are foreign bodies such as coins and the soak icon flashes, the remain time not decreasing. If you need to dry the clothes, you can press "Anti-crease" button or "Start/Pause" button, then the icon will be off to cancel this function and the washing machine continue to work. This feature and the "Delay" button can not be chose at the same time. Also this feature is ineffective in the "Spin-Drain" process.		Err 3	Temperature sensor fault	Please ask for repair
	Abnormal noise	Check whether the clothes are not properly placed Check whether the "Spin" program is selected Check whether the "Start/Pause" button is pressed		Err 4	Heating fault	Please ask for repair
UNUSUAL WATER	No water discharge or slow water discharge	Check whether the drain pipe is bent, clogged or blocked Check whether the drain pipe orifice is clogged (if necessary, clean the orifice) Check whether the drain pipe is damaged		Err 5	Abnormal water inflow	Shut down the washer and remove the problem. "Check whether the water tap is turned on, whether water supply cut-off occurs." "Check whether the water inlet valve is clogged (cleanse door 2)." If the problem remains, please ask for repair
	The spinning panel is not spinning	Check whether the spinning effect is within the range of 800-1000 rpm Check whether it is for excessive protection with low clothes		Err 7	The motor stops running	Please ask for repair
	The spinning panel is not spinning	Check whether the electronic components are slightly hot Check whether the electronic components are loosened during washing Check whether the electronic components are not in good condition after a long time		Err 8	The water level exceeds alarm level	The water automatically increases the program, please ask for repair
	The spinning panel is not spinning	Check whether the electronic components are slightly hot Check whether the electronic components are loosened during washing Check whether the electronic components are not in good condition after a long time		Err 10	Water level sensor fault	Please ask for repair
UNUSUAL WATER	Uneven clothes distribution while spinning	It is normal that electronic components are slightly hot		U n b	Uneven clothes distribution while spinning	Take out and fluff out the clothes, please ask for repair

**Notes:**

- It is normal that the washer discharges water when "Err-5" occurs.
- Warm tips: To add clothes during washing or to take out clothes after extended power failure, make sure that the water level in the drum is properly below the lower edge of sight glass, the water temperature is below 50 and the motor drum is not rotating, then remove the drain pipe from its holder and pull it down until no water is drained from the drain pipe, afterwards put back the drain pipe. Open the filter door at the bottom of washer, and you will see a pull wire. Take out the pull wire and gently pull it downwards until you hear a loud sound, the door will open, now you can add or take out the clothes. Afterwards, reset the pull wire and filter door.
- Never perform the above operations when the washer is running.
- The washer contains recyclable materials. Please properly dispose of them to protect the environment.
- Adding a proper amount of softener may make the clothes soft, eliminate itching arising from static electricity and make the clothes easier to be ironed. Excessive softener may damage synthetic fiber. Please refer to the instructions for correct dosage of softener.

## 10. Cleaning/Maintenance

**Warning:** Please pull out the power plug from the socket before cleaning and maintenance.

**Filter cleaning (once a month as recommended)**

- After draining the water in the washer, open the filter door by pressing it down with a flat head screwdriver or a similar tool through the square hole above the filter door (as shown in Fig. 1).
- Hold the plastic pipe plug to pull out the waste pipe, prepare a water tight container, remove the plastic plug of waste pipe to drain the remaining water into the container (as shown in Fig. 2), replace the plastic plug into the waste pipe, and finally clamp the waste pipe in original position.
- Anticlockwise screw out the filter. It is normal that a little water flows out at this time (as shown in Fig. 3).
- Rinse with clean water (as shown in Fig. 4).
- Insert the filter after aligning its corner with the groove of draining pipe. Then clockwise tighten it (as shown in Fig. 5), and finally close the filter door.

**Water inlet valve:** Please clean the filter screen of water inlet valve as shown in the figures below.

**Water inlet pipe:** Please clean the filter screen of water inlet pipe as shown in the figures below.

**Water container:** Please clean the filter screen of water container as shown in the figures below.

**Waste pipe plug:** Please clean the filter screen of waste pipe plug as shown in the figures below.

**Waste pipe:** Please clean the filter screen of waste pipe as shown in the figures below.

**Filter:** Please clean the filter screen of filter as shown in the figures below.



## Free Manuals Download Website

<http://myh66.com>

<http://usermanuals.us>

<http://www.somanuals.com>

<http://www.4manuals.cc>

<http://www.manual-lib.com>

<http://www.404manual.com>

<http://www.luxmanual.com>

<http://aubethermostatmanual.com>

Golf course search by state

<http://golfingnear.com>

Email search by domain

<http://emailbydomain.com>

Auto manuals search

<http://auto.somanuals.com>

TV manuals search

<http://tv.somanuals.com>