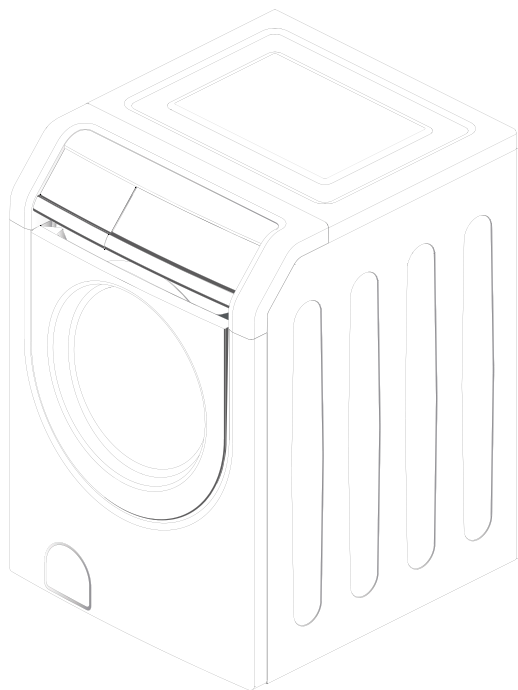


# Haier®

Front Load Washer

Rondelle avant de chargementl

Lavadora delantera de la carga



Designed to use only HE  
(High Efficiency) Detergent

**User Manual**  
**Guide de l'Utilisateur**  
**Manual del Usuario**

HWF5300AW

SMARTER LIFE

BETTER PLANET



## IMPORTANT SAFETY INSTRUCTIONS

### READ ALL INSTRUCTIONS BEFORE USE.

**WARNING!** For your safety, the information in this manual must be followed to minimize the risk of fire or explosion, electric shock, or to prevent property damage, personal injury, or loss of life. Always read and obey all safety messages. All safety messages will tell you what the potential hazard is, tell you how to reduce the chance of injury, and tell you what can happen if the instructions are not followed.

**WARNING - To reduce the risk of fire, electric shock, or injury to persons when using your appliance, follow the basic precautions, including the following:**

1. Read all of the instructions before using this appliance.
2. Use this appliance only for its intended purpose as described in this user manual.
3. This washer must be properly installed in accordance with the installation instructions before it is used.
4. Unplug your washer before cleaning.
5. Never unplug your washer by pulling on the power cord. Always grasp the plug firmly and pull straight out from the outlet.
6. Do not operate your washer in the presence of explosive flames.
7. Do not use the washer for commercial clothes washing.
8. Do not tamper with controls.
9. Do not allow children to play on or in the appliance. Close supervision of children is necessary when the appliance is used near children.
10. Washer must be grounded, see grounding instructions on page 2.
11. Under certain conditions, hydrogen gas may be produced in a hot-water system that has not been used for 2 weeks or more HYDROGEN GAS IS EXPLOSIVE. If the hot water system has not been used for such a period, before using a washing machine, turn on all hot-water faucets and let the water flow from each for several minutes. This will release any accumulated hydrogen gas. As the gas is flammable, do not smoke or use an open flame during this time.
12. Do not wash articles that have been previously cleaned in, washed in, soaked in, or spotted with gasoline, dry-cleaning solvents or other flammable or explosive substances to the wash water. These substances give off vapors that could ignite or explode.
13. Do not add gasoline, dry-cleaning solvent, or other flammable or explosive substances to wash water. These substances give off vapors that could ignite or explode.
14. Before the appliance is removed from service or discarded, remove the door.
15. Do not reach into the appliance if the tub or agitator is moving.
16. Do not install or store this appliance where it will be exposed to the weather.
17. Do not repair or replace any part of the appliance or attempt any servicing unless specifically recommended in the user-maintenance instructions or in published user repair instructions that you understand and have the skills to carry out.
18. ALWAYS follow the fabric care instructions supplied by the garment manufacturer.

19. Do not place items exposed to cooking oil in your washer. Items contaminated with cooking oils may contribute to a chemical reaction that could cause a load to catch fire.
20. Do not use fabric softeners or products to eliminate static unless recommended by the manufacturer of the fabric softener or product.
21. This appliance is not intended for use by persons (including children) with reduced physical, sensory or mental capabilities, of lack of experience and knowledge, unless they have been supervised or instructed concerning use of the appliance by a person responsible for their safety.
22. If the supply cord is damaged, it must be replaced by the user, our service agent or similarly qualified persons in order to avoid a hazard.

## SAVE THESE INSTRUCTIONS

### GROUNDING INSTRUCTIONS

This appliance must be grounded. In the event of malfunction or breakdown, grounding will reduce the risk of electric shock by providing a path of least resistance for electric current. This appliance is equipped with a cord having an equipment-grounding conductor and a grounding plug. The plug must be plugged into an appropriate outlet that is properly installed and grounded in accordance with all local codes and ordinances.

**Warning** – Improper connections of the equipment-grounding conductor can result in a risk of electric shock. Check with a qualified electrician or serviceman if you are in doubt as to whether the appliance is properly grounded. Do not modify the plug provided with the washer - if it does not fit the outlet, have a proper outlet installed by a qualified electrician.

## DANGER

**Risk of child entrapment. Before you throw away your old appliance, take off the door so that children may not easily get trapped inside.**

Thank you for purchasing our Haier product. This easy-to-use manual will guide you in getting the best use of your washer.

---

*Model number*

---

*Serial number*

---

*Date of purchase*

Remember to record the model and serial number. They are on a label in back of the washer.

Staple your receipt to your manual. **You will need it to obtain warranty service.**

## ELECTRICAL CONNECTIONS

This appliance must be grounded. In the event of an electrical short circuit, grounding reduces the risk of electric shock by providing an escape wire for the electric current. This appliance is equipped with a cord having a grounding wire with a grounded plug. The plug must be inserted into an outlet that is properly installed and grounded.

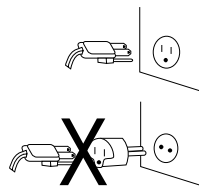


- Improper use of the plug can result in a risk of electric shock.
- Consult a qualified electrician or service person if the grounding instructions are not completely understood or if doubt exists as to whether the appliance is properly grounded.

### Wiring Requirements:

- This appliance must be plugged into at least 15 AMP 120 VOLT, 60 HZ GROUNDED OUTLET.

**Note:** Where a standard two-prong outlet is encountered, it is the personal responsibility and obligation of the consumer to have it replaced with a properly grounded three-prong outlet.



### Extension Cords:

We do not recommend that you use an extension cord.

### Power Interruptions



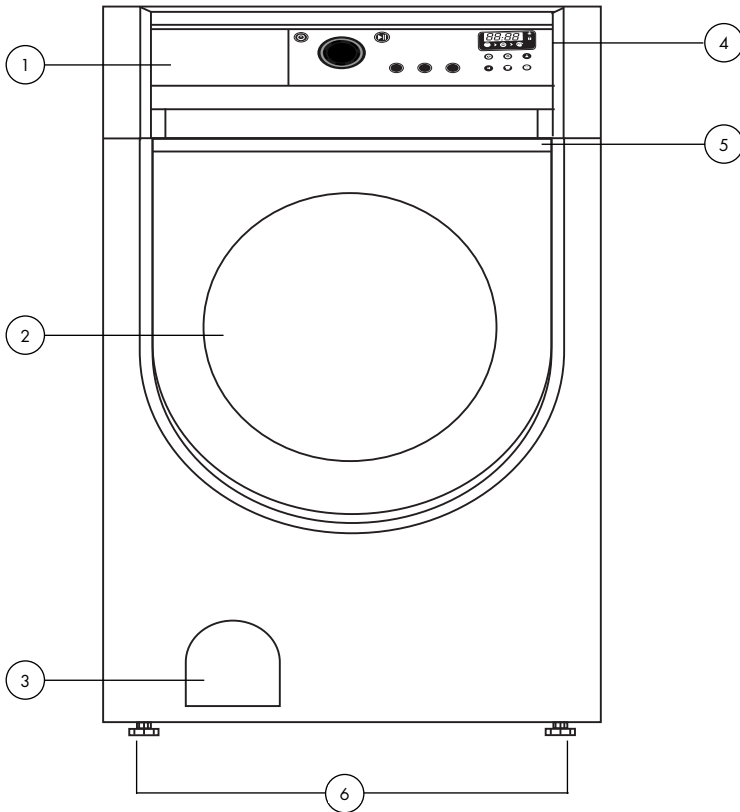
Occasionally there may be power interruptions due to thunderstorms or other causes. Remove the power cord from AC outlet when a power outage occurs. When power has been restored re-plug power cord to AC outlet. If outage is for a prolonged period, clean washer before using it again.

## TABLE OF CONTENTS

<b>IMPORTANT SAFETY INSTRUCTIONS</b> .....	<b>1</b>
<b>GROUNDING INSTRUCTIONS</b> .....	<b>2</b>
<b>ELECTRICAL CONNECTING</b> .....	<b>3</b>
<b>PARTS AND FEATURES</b> .....	<b>5</b>
Front.....	<b>5</b>
Back.....	<b>6</b>
<b>INSTALLATION INSTRUCTIONS</b> .....	<b>7</b>
Tools and Materials Required.....	<b>7</b>
Unpacking Your Washer.....	<b>8</b>
Installation.....	<b>10</b>
<b>OPERATIONAL INSTRUCTIONS</b> .....	<b>12</b>
Touch Sensitive Control Panel.....	<b>12</b>
Washer Operating Procedure.....	<b>14</b>
Features.....	<b>15</b>
Cycles.....	<b>15</b>
Normal Washing Sounds.....	<b>16</b>
<b>CYCLE SELECTION</b> .....	<b>17</b>
<b>WASHING METHODS</b> .....	<b>18</b>
Using the Dispenser.....	<b>19</b>
<b>CARE AND CLEANING GUIDE</b> .....	<b>21</b>
Cleaning and Maintenance.....	<b>21</b>
Moving and Vacationing and Storage.....	<b>23</b>
<b>TROUBLESHOOTING</b> .....	<b>24</b>
<b>TECHNICAL SPECIFICATION</b> .....	<b>27</b>
<b>LIMITED WARRANTY</b> .....	<b>28</b>

## PARTS AND FEATURES

### FRONT

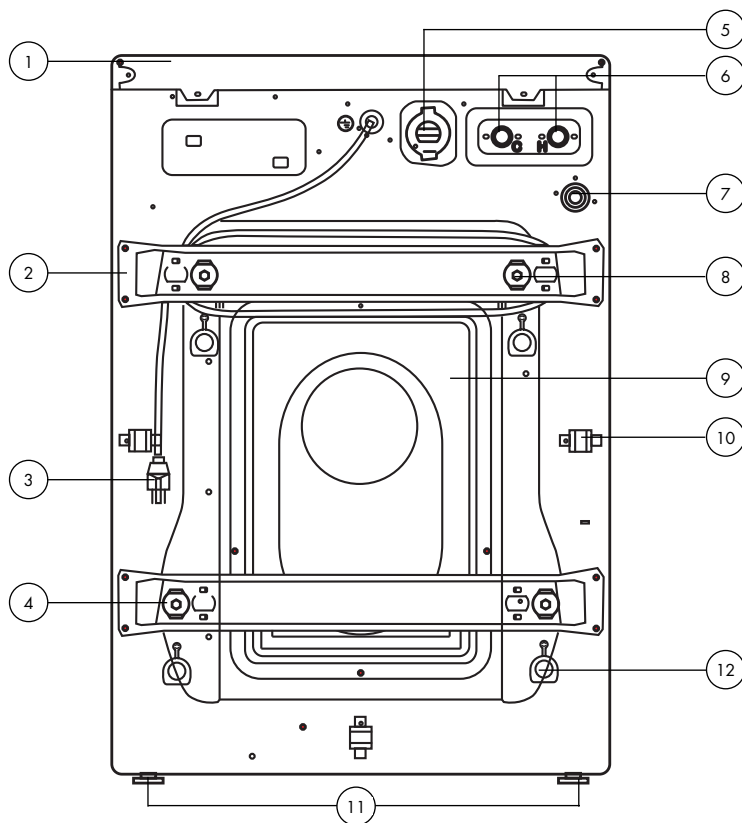


1. Detergent / Bleach / Softener Dispenser
2. See-through Glass Door
3. Button / Coin Trap Cover

4. Control Panel
5. Door Handle
6. Adjustable Leveling Legs (2)

## PARTS AND FEATURES

### BACK



- |                                      |                                      |
|--------------------------------------|--------------------------------------|
| 1. Top Cover                         | 8. Transportation Bolt (2 Per Brace) |
| 2. Brace                             | 9. Back Cover                        |
| 3. Power Cord                        | 10. Hose Clip (3)                    |
| 4. Transportation Bolt (2 Per Brace) | 11. Adjustable Leveling Legs (2)     |
| 5. Air Vent for Safety               | 12. Cap (4)                          |
| 6. Water Inlet Valve (C & H)         |                                      |
| 7. Drain Hose Connection             |                                      |



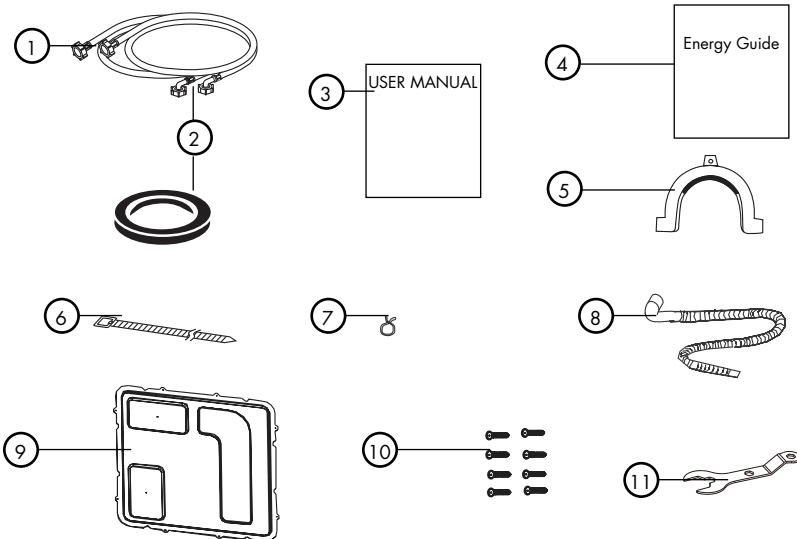
# INSTALLATION INSTRUCTIONS

## TOOLS AND MATERIALS REQUIRED

**You will need to have the following tools to help you in the installation of your washer:**

- Scissors
- Standard Screwdriver
- Pliers
- Wrench
- Tape Measure
- Gloves
- Level

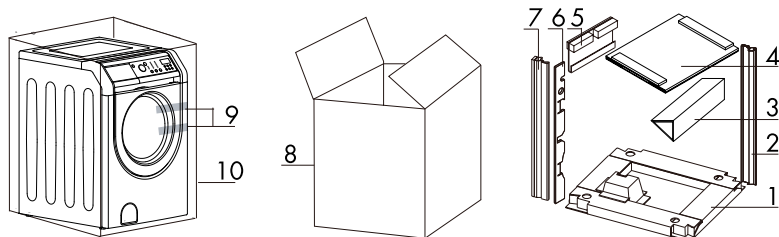
<b>Accessories Supplied</b>	<b>Quantity</b>
1. Hot & Cold Water Inlet Hoses	2
2. Flat Water Inlet Hose Washers (Already Installed in each end of water inlet hoses)	4
3. User Manual	1
4. Energy Label	1
5. Drain Hose Holder	1
6. Tie Strap	1
7. Clamp for drain hose	1
8. Drain Hose	1
9. Bottom Cover	1
10. Bolts to Install Bottom Cover	8
11. Wrench	1



## UNPACKING YOUR APPLIANCE

**!** **WARNING:** Two or more people may be needed to install and move the appliance.

Follow the procedure below to unpack your washer remove packing materials.



As shown in the figure, remove all the packing materials. Upon opening of the package, water drops may be seen on the plastic bag and the porthole. This is a normal phenomenon resulting from water tests in the factory.

- |                  |                     |
|------------------|---------------------|
| 1-Base (1)       | 6-Spacer Pad (2)    |
| 2-Front post (2) | 7-Back Post (2)     |
| 3-Sleeve (1)     | 8-Package carton(1) |
| 4-Stepper (1)    | 9-Adhesive tape (2) |
| 5-Back pad (2)   | 10-Package bag (1)  |

- NOTE:**
1. A bottom cover is wrapped in the stepper.
  2. Be careful while handling the bottom cover.
  3. Remove all anti-scratch film from the washer.

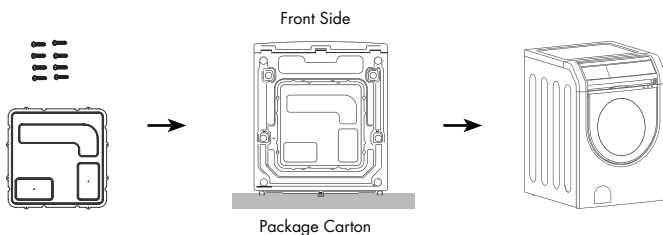
**WARNING:** To avoid danger of suffocation, please keep the package bag and the accessories bag away from children.



## Install the bottom cover

1. Lay the package carton on the ground.
2. Lay the washer slowly down on the package carton on the back panel side.
3. Install the bottom cover on the bottom panel by screwing 8 bolts provided in the accessories bag.
4. Lift and straighten the washer to the upright position.

- NOTE:**
1. At least two people are needed to complete the above work.
  2. Install the bottom cover before removing transport bolts.
  3. While laying down the washer be sure the front side is upward.
  4. The direction of the bottom cover must be installed according to the following figure indicated.

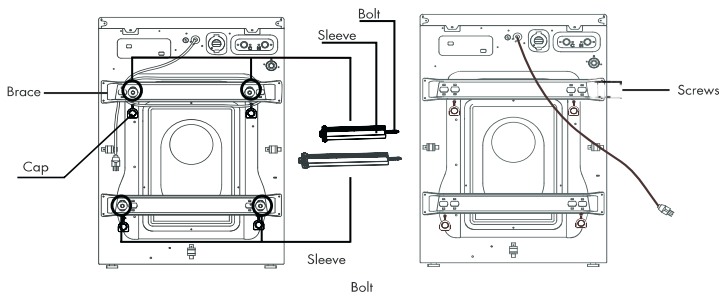


## Transportation Bolts

The washer is fitted with transportation bolts to prevent internal damage during transportation. Transportation bolts must be removed before using the washer.

### Removing Transportation Bolts

1. Unscrew the 4 bolts with a wrench. At first undo the lower side to remove easily. One of the bolts retains the power cord of the washer to prevent operating with out removing bolts.



2. Remove the bolts and the sleeves to release the power cord. Keep the 4 bolts and sleeves for future use.

**NOTE:** If transportation bolts and sleeves are not removed, it may cause severe vibration, noise and malfunction.

**NOTE:** When the washer is transported the transportation bolts and the sleeves must be reinstalled.

3. Close the 4 holes with the caps supplied.

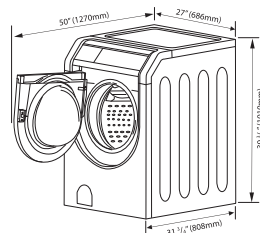
# INSTALLATION

## Location Requirements

1. The proper location for your washer should have a flat and even floor. This will improve performance, minimize noise and decrease washer movement.
2. The unit can be installed under a custom counter, in basement, laundry room, closet, or other recessed area.

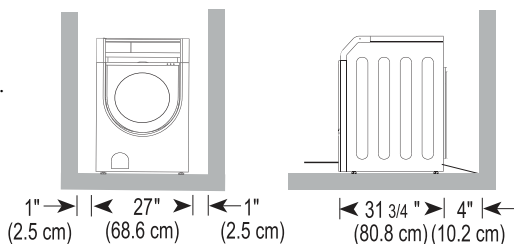
## Additional Requirements

1. A grounded electrical outlet. Recommended less than 6 feet from washer.
2. Hot and cold water faucets located less than 4 feet from water fill valves with a water pressure of 4.4-145 psi.
3. It is not recommended to use washer on soft flooring such as carpets or foam.
4. Do not operate washer if ambient room temperature is less than freezing, may cause damage to unit.



## Installation clearances

1. The optimal location for your washer should be big enough to open the washer door completely for easy installation and servicing.
2. Allow some additional space on the sides and rear for easy installation, service and reduced noise.

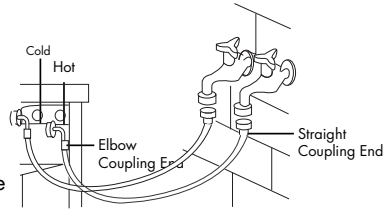


## Water Connection

First, connect the elbow coupling end of the water inlet hose to the valve on the washer. Then, connect the straight coupling end of the inlet hose to the water tap.

- NOTE:**
1. Do not crossthread when connecting inlet hose to the valve. Connect the cold water tap to cold inlet on the washer and hot to hot.
  2. Water supply pressure must be between 4.4 and 145 psi (30~1000kPa).
  3. Over tightening may cause damage to the valve.
  4. Check for leakage of washing machine connections by turning the tap completely on.
  5. Make sure that there is no kink in the hose and that it is not crushed.
  6. Be sure that the two water inlet hoses are connected to the correct water faucets.
  7. Make sure that a flat washer is present in each end of the water inlet hose before use.

**NOTE:** This washer is to be connected to the water mains using new hoses. Old hoses should not be used. Do not install your washing machine in a room where temperatures may be below freezing. Frozen hoses may burst under pressure. If the washer is delivered in the winter months and temperatures are below freezing, store the washing machine at room temperature for a few hours before putting it into operation.



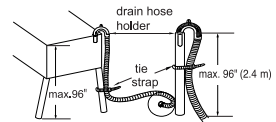
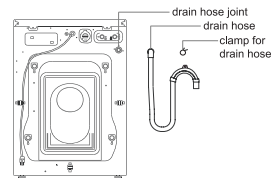
**Drain System**

- To prevent water leakage, do not place the drain hose higher than 96 inches from the bottom of the washer and secure drain hose tightly and securely.

Using the provided clamp connect the drain hose to the washer.

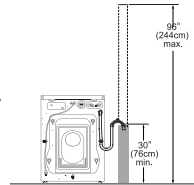
- NOTE:**
- 1) Drain hose, clamp, drain hose holder and tie strap are placed in the accessory bag in the drum.
  - 2) Use tie strap to secure the drain hose to a stand pipe, inlet hose or laundry tub.
  - 3) Care should be taken so the drain hose is not immersed in water.

drain hose holder



**Level the Washer**

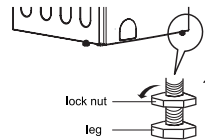
- Leveling the washing machine properly prevents excessive noise and vibration. Install your washer on a solid and level floor surface.
- If the floor is uneven, adjust the adjustable legs as required. The legs can be extended to level the washer. The more the legs are extended, the more the washer will vibrate.
- Use a level to make sure that the washer is perfectly level.
- Leveling of your washer must be done while the washer is spinning with a load. Use a wrench to adjust the legs until there is no vibration. Once done, tighten the lock nuts to level the washer.



**NOTE:** Do not lift the washer using the dispenser drawer or door as a handle.

**Steps to Level the washer (As shown in the figure)**

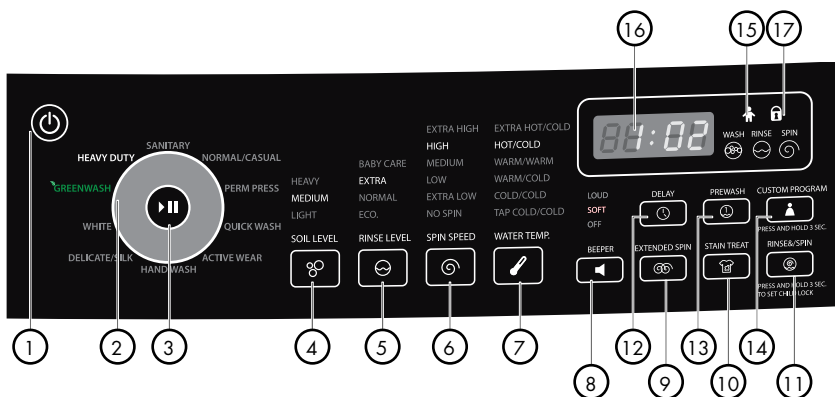
1. Loosen the lock nut using a wrench.
2. Level the washer by turning the adjustable legs.
3. Turn the lock nut on each leg towards the base of the washer with a wrench.
4. Once leveled tighten lock nut against the housing.



# OPERATIONAL INSTRUCTIONS

## TOUCH SENSITIVE CONTROL PANEL

**⚠ WARNING:** To reduce risk of fire, electric shock or injury to persons, read "Important Safety Instructions" before operating this appliance.



### 1) Power ON/OFF Pad

- Touch pad to power ON or turn OFF the washer. In off status touch power pad for 1 second washer will turn on in default program status (Normal/Casual Cycle). To turn off washer touch pad for at least 2 seconds during running or just one second during the pause and stand by status. To change or cancel a running cycle touch this pad to power off and then reprogram.

### 2) Cycle Select

- Gently move your fingers along the pad to select your wash cycle. Each cycle has preset water temperature, soil level spin speed and options. In certain cycles the settings can manually be programmed to suit your needs.

### 3) Start/Pause Pad

- Touch this pad once to start the wash cycle. Touch this pad once again to pause the activity during the wash cycle. If you don't touch the start/pause pad within 5 minutes of selecting a cycle, the washer will automatically shut off. You could pause the running cycle to change the options by pressing the "Start / Pause" pad.

### 4) Soil Level

- Select clothes soil level. There are 3 levels to choose from: Heavy, Medium and Light.
- Wash cycle increases in time for each level increased. Selection should be based on the soil level in clothes. The dirtier the clothes the heavier the level.

### 5) Rinse Level

- There are 4 selections to choose from Baby Care which gives you the maximum rinse time to Eco which gives you the least.

Baby Care rinse level gives extra rinse time to remove any soap and detergent left on clothes after wash. While Eco. rinse would be used on the cycle where extra rinse time may not be needed.

### 6) Spin Speed

- Enables the selection of spin speed during the wash cycle. Touch this pad if you want to change the preprogrammed selection. Selections may vary per the cycle chosen. All selections are not available in all cycles. Certain clothes are not recommended to be spun at high speeds. Please see clothes manufacturer recommendation for best results.

### 7) Water Temperature (Wash / Rinse)

- To select inlet water temperature for wash and rinse. Selection may vary per the cycle chosen. All selections are not available in all cycles. Follow fabric care labels for best results.

### 8) Beeper (Signal)

- Signal volume can be adjusted soft-loud or off. As adjusted, signal will sound during selection of cycles or options and when wash cycle is completed. At the end of washing cycle the unit will sound 3 long beeps. When choosing an option, if signal beeps twice it means that the option is not available. A signal will sound if the washer goes in error status.

### 9) Extended Spin

- To increase spin time activate this option. This helps to remove extra water and saves drying time. Once the wash load is in the spin cycle this pad can not be activated.

### 10) Stain Treat

- This function increases the wash time in different cycles. Use this for very heavily soiled clothes.

### 11) Rinse & / Spin

- This option is used for clothes that do not need to be washed. Clothes sitting in a drawer or hanging in the closet for a long time may not only need to be rinsed and spun to make them feel fresh again.

Touch pad to select this option. The washer will now switch off the wash mode and will be in the rinse and spin cycle. Touching the pad for a second time will set the washer to spin only.

The rinse and spin speeds could be changed by touching their respective pad (5 & 6). The "Wash" "Rinse" & "Spin" icons by the Time Display Zone (16) will be lit to indicate the selected function.

### 12) Delay

- With the machine in standby, you can chose a delay start time from 1-30 hours. To do so, touch the delay pad. Each touch of this pad advances the delay in one hour increments. To activate the delay function touch the Start / Pause (3) pad. Doing so will cause the delay (12) pad to flash. When set at 24:00, push the delay pad again and the delay time is cancelled. After setting if wash program is change delay time is cancelled.

### 13) Prewash

- Use this option for heavily soiled clothes. By activating this it will add wash time before the main wash to the wash cycle. The RINSE &/ SPIN option can not be selected if this function is activated.

Note: Remember to add detergent to the Prewash compartment of the dispenser drawer.

### 14) Custom Program

- To customize your favorite wash programs simply choose your cycle, wash settings and options and touch the "Custom Program" pad (Approximately 3 Seconds) until a beep confirms the settings. Time display will show "rb". A maximum of 10 programs can be stored, one for each cycle. To use your saved setting, go to the desired cycle and touch the "Custom Program" pad. The washer will automatically go to the saved setting.

### 15) Child Lock

- When the machine is running, in pause or in delay cycle, press the RINSE &/ SPIN pad for more than 3 seconds, child lock will activate. Touch again to cancel the child lock. You can unlock the child lock function only by touching this pad. **Power off, program finish, or unplugging the power will not unlock the child lock!** If the child lock function is activated, the child lock LED is on; if not, the child lock LED is off.

### 16) Time Display Zone

- Time display zone will show time as following: If time is less than 1 hour, display as 0:XX (such as 0:45), more than 1 hour but less than 9 hours display as X: YY (such as 3:28), more than 10 hours, display as XX: YY (such as 13:20).

### 17) Door Lock LED

- If the door lock is secured the door lock LED will be on. If door lock is not locked, and the door can open, door lock LED is off. To add a garment touch the Start / Pause pad (3). The door lock icon will be Off. Once the garment is added, close the door and touch the Start / Pause pad again. The washer will resume its operations.

## WASHER OPERATING PROCEDURE

1. Lightly touch the On/Off pad to power on the washer.
2. Select wash cycle by touching the pad by the cycle. A light will illuminate the cycle chosen.
3. Once selection is made, the soil level, rinse level, spin speed and the wash/rinse water temperatures are pre-set. At this point, if you choose not to have any other options, lightly touch the start/pause pad to start the wash cycle.

If you want to change the preset settings before you touch the Start / Pause pad.

1. Lightly touch the soil level, rinse level, spin speed and water temperature to select.
2. Any of the supplied options: Delay Start, Prewash, Beeper setting, Extended Spin, Stain treatment, Rinse & Spin or Custom Program can be now chosen.
3. After option selection, lightly touch the start/pause pad to start the wash cycle. (All options not available in all cycles).
4. To customize your settings, once your favorite settings are selected touch the Custom Program pad and hold for 3 seconds.
5. To child lock the control panel touch the Rinse&/Spin pad and hold for 3 seconds. To unlock the child lock function only touch the Rinse&/Spin pad. Power off pad cannot unlock the child lock function. During activation of the child lock function, the child lock LED is on.
6. You could pause the washer and if the door lock light on the control panel will be Off during this time the door of the washer can be opened to **Add a Garment**.
7. With the machine in standby, you can chose a delay start time from 1-24 hours. To do so, touch the delay pad. Each touch of this pad advances the delay in 30 minutes increments. To set the delay function touch the Start / Pause (3) pad. Doing so will cause the delay (12) pad to flash. When set at 24:00, push the delay pad again and the delay time is cancelled. After setting wash program is change, delay time is cancelled. Program changes, delay time is also cancelled.

## FEATURES

**Electronic Touch Pad Controls:** Allows you to use the washer at the touch of your fingertips.

**5 Compartment Dispenser:** Use liquid or powdered detergent for prewash, powdered detergent for main wash, liquid detergent for main wash, liquid bleach and liquid fabric softener for optimum wash.

Designed specially to use only HE (**High Efficiency**) detergent



**Energy Star** unit saves you water and energy



**Sanitary Cycle:** An additional internal water heater automatically heats the water to ideal levels to clean those hard to remove stains.



**Custom Cycle:** You do not have to remember your favorite setting. Simply program and set it.

**Automatic Setting:** Once you choose your required wash cycle, the soil level, rinse level, spin speed, water temperature and signal will set automatically making the unit automatic operation. If desired in certain cycles you could change these settings and choose options to personalize your needs.

**Capacity:** The absence of an agitator gives you additional space to wash large and bulky items like bed sheets, comforters and large loads.

**Drum:** The stainless steel drum keeps the unit looking clean and avoids rust.

**Add a Garment:** When the lock sign is Off on the panel, during this period an additional garment can be added to the wash cycle.

**AMT door Seal:** Reduces the collection of mildew and bacteria that is harmful to the wash.

**Heavy Duty Suspension System:** The washtub uses shock absorbers in suspension system that maintains an equal balance when heavier loads are being washed. This system can control tension softly and tenderly so the machine will balance quietly without shutting down. Thus helping in reduction of noise and vibration.

**Control Panel Display:** Will display the remaining wash time or error message during a wash cycle. If the delay start function is chosen, it will display the remaining time for wash cycle to begin.

## CYCLES

**Sanitary** - This cycle is intended for heavily soiled garments. An internal water heater raises the Extra Hot wash water temperature to 154°F (68°C) to help tackle those hard to remove stains.

**Heavy Duty** - This cycle is preset to use hot water to deep clean heavily soiled durable colorfast fabrics.

**White** - This cycle is preset to use hot water to deep clean white garments.

**Normal / Casual** - This cycle is for normally soiled cottons, linens, and mixed garment loads.

**Green Wash** - This cycle provides a convenient way to select an eco-friendly cold water wash. An easy cycle selection automatically determines the best options for an effective energy saving wash program.

**Perm Press** - This cycle is preset for a low spin speed to help maintain wrinkle-free clothing and reduce creases in synthetic fabrics.

**Active Wear** - This cycle is intended for spandex, stretch fabrics, and high performance knits often found in athletic clothing.

**Quick Wash** - This cycle is intended for lightly soiled garments that are needed in a hurry.

**Delicate / Silk** - This cycle is intended to gently wash delicate garments and lingerie with sheer fabrics with lace trim.

**Hand Wash** - This cycle is intended to gently clean garments labeled "Hand Wash".

**NOTE:** All functions may not be available in all cycles.

**NOTE:** It is important to check instructions on clothes label to select the ideal wash cycle. Wrong cycle selection could damage and discolor the clothing. Certain clothes should only be dry cleaned.

## NORMAL WASHING SOUNDS

The following sounds are normally heard during the operation of the washer:

- Tumbling sounds: This is normal as the heavy wet clothes in the washer are continuously being tossed around
- Air rushing noise: This happens when the washer tub spins at a very high RPM.
- Wash and rinse cycles going on and off will also make clicking sounds as well as spraying and water splashing sound.
- Drain pump operational sound, when dirty water is being drained.

Preset Cycle					
Cycles	Cycle Time	Wash Speed	Spin Speed	Wash / Rinse Temperature	Soil Level
Sanitary	1:35	45rpm	Max 1300	Extra Hot / Cold	Medium
Heavy Duty	1:18	45rpm	Max 1300	Hot / Cold	Medium
White	1:10	45rpm	Max 1300	Hot / Cold	Medium
Normal / Casual	0:54	45rpm	Max 1300	Warm / Cold	Medium
Green Wash	0:54	45rpm	Max 1300	Cold / Cold	Medium
Perm Press	0:49	40rpm	Max 900	Warm / Cold	Medium
Active Wear	0:43	45rpm	Max 1200	Warm / Cold	Medium
Quick Wash	0:31	45rpm	Max 1200	Warm / Cold	Light
Delicate / Silk	0:44	40rpm	Max 900	Warm / Cold	Medium
Hand Wash	0:37	40rpm	Max 900	Cold / Cold	Medium

**NOTE:** The cycle time may vary in different environments. The temperature of water and water pressure will specially affect the timing.

## CYCLE SELECTION

### Select Cycles Desired According To Fabric Types And Soil Level

Cycle	Fabric type	Soil Level	Rinse Level	Spin Speed	Water Temperature	Delay Time	Pre-wash	Extended Spin	Stain-Treat	Rinse & Spin
Normal / Casual	Clothes of cottons, linens and synthetic fabrics, work clothes, jeans, shirts	Medium	Normal	Extra High	Warm / Cold					
		Heavy Light	Baby Care Extra Eco.	High Medium Low Extra Low No Spin	Hot / Cold Cold / Cold Tap Cold / Cold	●	●	●	●	●
Perm Press	Dress shirt / pants wrinkle free clothing, poly / cotton blend clothing, table cloths	Medium	Normal	Low	Warm / Cold					
		Heavy Light	Extra Eco.	Medium Extra low No Spin	Hot / Cold Warm / Warm Cold / Cold Tap Cold / Cold	●	●		●	●
Quick Wash	Lightly soiled clothing and small loads	Light	Normal	High	Warm / Cold					
		Heavy Medium	Extra Eco.	Medium Low Extra Low No Spin	Hot / Cold Warm / Warm Cold / Cold Tap Cold / Cold	●				
Active Wear	Active sports and some casual ware clothes	Medium	Normal	High	Warm / Cold					
		Heavy Light	Baby Care Extra Eco.	Medium Low Extra Low No Spin	Warm / Warm Cold / Cold Tap Cold / Cold	●			●	
Hand Wash	Items labeled "hand washable"	Medium	Normal	Low	Cold / Cold					
		Light	Extra Eco.	Extra Low No Spin	Warm / Warm Warm / Cold Tap Cold / Cold	●				
Delicate / Silk	Dress shirts / blouses nylons, sheer or lacy garment	Medium	Normal	Low	Warm / Cold					
		Light	Extra Eco.	Extra Low No Spin	Warm / Warm Cold / Cold Tap Cold / Cold	●				
Green Wash	Clothes of cottons, linens and synthetic fabrics, work clothes, jeans, shirts	Medium	Normal	Extra High	Cold / Cold					
		Heavy Light	Baby Care Extra Eco.	High Medium Low Extra Low No Spin	/	●	●	●	●	●
Whitest Cotton	Cotton, linen, towels, shirts, sheets, jeans, mixed loads	Medium	Extra	Extra High	Hot / Cold					
		Heavy Light	Baby Care Normal Eco.	High Medium Low Extra Low No Spin	Extra Hot Warm / Warm Cold / Cold Tap Cold / Cold	●	●	●	●	●
Heavy Duty	Large item such as blankets and comforters	Medium	Normal	Extra High	Hot / Cold					
		Heavy Light	Baby Care Extra Eco.	High Medium Low Extra Low No Spin	Extra Hot Warm / Warm Cold / Cold Tap Cold / Cold	●	●	●	●	●
Sanitary	Heavily soiled work clothes, etc.	Medium	Normal	Extra High	Extra Hot / Cold					
		Heavy Light	Baby Care Extra Eco.	High Medium	/	●	●	●	●	●

NOTE: To protect your wash load, all settings may not be available with all cycles, the shaded levels represent the preset setting.

## WASHING METHODS

**CAUTION:** When first using the washing machine, choose the **SANITARY** cycle and run it without clothes. Use only HE High Efficiency detergent. Use 1/2 the manufacturer's recommended amount for a medium sized load. This initial cycle serves to ensure the interior is clean before washing clothes.



### Sorting Of Clothes

- Soil (Heavy, Medium, Light) - Separate clothes according to the amount of soil content.
- Colors (Whites, Lights, Dark) - Separate dark colors from the whites as colors can transfer causing discoloration.
- Lint (Produce & Collectors) - Separately wash the lint producer's and collectors.

### Loading The Washer

- Load each item loosely.
- Separate the white and colored clothes. Separate heavy clothes from light clothes.
- Carefully check all pockets and cuffs for small items. They may damage the drum.
- Pre-treat all stains and heavily soiled areas for best results.
- Do not overload the washer.
- Close the door properly after loading the clothes.
- Combine larger & small items in a load.
- Single items may cause unit to go off balance. Single bulky items such as blankets, comforters or bedsheets can be washed separately.

**NOTE:** Do not wash water proof clothing. Do not overload the drum with items. The door should close easily. When unloading check under door seal for small items.

### Laundry loading

- A) Open the washer door.
- B) Unfold the sorted items of clothing and place them loosely into the drum. Mix up large and small items so they distribute evenly during the spin cycle.

**NOTE:** Do not exceed the maximum load. Overloading will cause poor wash results and encourage creasing.

- C) Close the door watching for trapped items of clothing between the door and door seal. Door must close easily and not by force.
- D) Filling laundry detergent additive. Open the dispenser drawer and add laundry products to the detergent, bleach, or fabric softener compartments. Close drawer slowly to avoid spills. See "Using the Dispenser."

- NOTE:**
- 1) Keep detergent and additives out of the reach of children.
  - 2) If too little detergent is used the laundry will not clean properly and will eventually become gray and stiff.
  - 3) If too much detergent is used excessive suds reduce wash movement producing poor washing and rinsing results.

E) Select wash cycle. Turn on the washer by pressing Power. Select the desired cycle and options. Not all options are available with all cycles. For available options, buzzer sounds a short beep. If option is not available buzzer sounds 2 short beeps. See "Cycle Selection" for details (pg.17).

**NOTE:** When delaying a cycle, use only powered detergents in the main wash compartment since liquid detergents may seep out of the compartment during Delay Wash, before the wash cycle begins.

F) Select Start/Pause

Select Start/Pause to start the wash cycle.

**NOTE:** 1) To change a cycle: Touch and hold the "Power" pad for 2 seconds to turn off the washer. Turn on the power and reselect the desired cycle and options. Touch "Start/Pause" to restart the cycle.

2) To open door: Touch "Start/Pause" to pause the cycle only when the door lock LED is Off you can open the door. Door can not be unlocked under the following conditions.

- Motor is running
- Water temperature is high inside the washing machine
- Water level is high

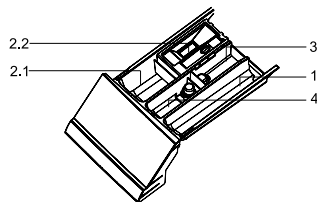
**CAUTION:** The door of the washer may get hot during wash cycle.



## USING THE DISPENSER

1. The dispenser has 5 compartments.

1. Liquid or powder detergent for prewash
- 2.1 Powder detergent for main wash
- 2.2 Liquid detergent for main wash
3. Liquid bleach
4. Liquid fabric softener



2. After choosing your detergents, load them into the dispensers by:

- a. Open the dispense drawer
- b. Load into compartments and close drawer slowly so no detergent spills out or enters washer too quickly.

**Your washer is designed to use only HE "High Efficiency" detergents.**

HE detergents are formulated specifically for front load washers and contain suds reducing components. HE detergents make less suds improve washing and rinsing performance, and help to keep the interior of your washer clean. If a regular detergent is used, it may cause oversudsing and unsatisfactory performance. For the best washing and rinsing performance, low-sudsing HE detergents are strongly recommended.

### 1. Prewash Detergent Compartment

\* Add detergent to this compartment when using the Prewash option. Liquid or powered detergent may be used in this compartment. The detergent will automatically be dispensed during Prewash if the Prewash option is selected.

**NOTE:** Liquid detergent will drain into the washer drum as it is added.

## 2. Main Wash Detergent Compartment

- \* Add measured detergent to this compartment for Main wash. Detergent is flushed from the dispenser at the beginning of the cycle. Either powdered or liquid detergent can be used.
- \* Liquid detergent can be added only to the liquid detergent compartment.
- \* Powdered detergent can be added only to the powdered detergent compartment.
- \* Do not exceed "Max" fill line.

## 3. Liquid Chlorine Bleach Compartment

- \* Add appropriate amount of bleach to compartment. The bleach will be automatically dispensed during the wash cycle.
- \* Do not exceed the "Max" fill line. Overfilling may cause damage to clothing.
- \* Do not pour undiluted liquid bleach directly onto the clothes or into the drum. Fabric damage can occur.
- \* Do not use powdered bleach in this compartment.

## 4. Fabric Softener Compartment

- \* Add recommended amount of fabric softener to this compartment.
- \* Dilute concentrated softeners with warm water to the fill line.
- \* Do not exceed the maximum fill line. Overfilling may cause early dispensing of the fabric softener, which could result in stained clothes.
- \* Do not pour fabric softener directly on clothes.
- \* The fabric softener will be automatically dispensed during the last rinse cycle.

**NOTE:** If there is a leak or spill with laundry products (soap, detergent, bleach, softener, etc.) on the top of your washer, clean immediately. These products can damage the finish or controls if left there too long.

## After Washing

When the program has ended:

1) Turn the Power off.

Additional: At end of washing cycle, beep signal will sound, then panel will display "END".  
5 minutes later the machine powers off.

2) Open the door.

**NOTE:** (A) If the Child Lock was selected, you should release it;

(B) The door can't be unlocked in the follow conditions:

- The motor is running.
- Water temperature inside the washing machine is high.
- Water level is high.

3) Remove the laundry.

4) Leave the loading door ajar to allow the inside of the washing machine to dry.

## CARE AND CLEANING GUIDE

**WARNING:** To reduce the risk of electric shock, disconnect this appliance from the power supply before attempting any user maintenance. Turning the power OFF does not disconnect this washer from the power supply. You must disconnect the plug from the electrical source.



**WARNING:** Always unplug your appliance to avoid electric shock before cleaning. Ignoring this warning may result in death or injury. Before using cleaning products, always read and follow manufacturers instruction and warnings to avoid personal injury or product damage.



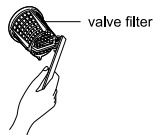
## CLEANING AND MAINTENANCE

Use a damp or sudsy cloth for cleaning control panel

- To avoid any kind of damage to cabinet finish, wipe appliance cabinet as needed. If you spill liquid / powdered softener, bleach or detergent on the cabinet, wipe cabinet immediately because it can damage the finish.
- Do not use any abrasive, harsh chemicals, ammonia, chlorine bleach, concentrated detergent, solvents or metals scouring pads. Some of these chemicals may dissolve, damage and / or discolor your appliance.
- Remove pins or other sharp objects from clothes to prevent scratching interior parts.
- The Detergent Dispenser Compartment has a removable insert. Over time, this compartment may accumulate dried detergent, dirt and debris. You must remove the insert, then rinse in a sink or remove debris with a soft brush.

### Cleaning the water inlet filter

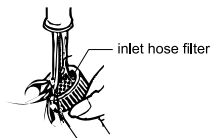
- \* To prevent blockage to water supply or the accumulation of contaminants clean the water inlet filter regularly.
- \* If your water is very hard or contains traces of lime deposit, the water inlet filter may become clogged.



valve filter

**NOTE:** We recommend cleaning it every few months.

1. Turn off the water tap.
2. Disconnect the water inlet hose from both the valve and the water tap. Pull out the filter from the valve.
3. Clean the filter using a hard bristle brush.
4. Insert the filter and reconnect the hose to the valve,
5. Rinse the filter in the straight coupling end of the inlet hoses under flowing water.
6. Reconnect the hose to the water tap.



inlet hose filter

## Cleaning the Button / Coin Trap

### CAUTION:

- Disconnect power before cleaning the Button / Coin trap.
- Failure to screw the Button/Coin trap and emergency cap tightly can result in leakage.
- Clean the Button / Coin trap once in 6 months.
- Beware of hot water inside the Button/Coin trap.

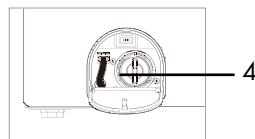
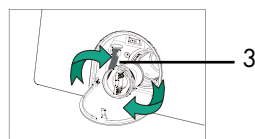
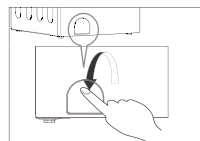
Step 1. Drain the remaining water

- Pull the rubber tube (1) out slowly.
- Unscrew the emergency cap (2), allow the remaining water to flow into a vessel by the washer.
- Replace the tube with cap.

Step 2. Clean the Button/Coin trap

- Turn the Button/Coin trap (3) counterclockwise.
- Clean out the foreign objects from the Button/Coin trap.
- Turn the Button / Coin trap clockwise back, tighten securely.

Step 3. Close the trap cover (4)



## Cleaning the Door Seal

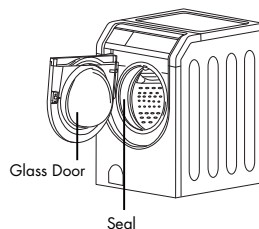
1. Make sure washer is completely empty
2. Carefully check seal between the door opening and the tub for stains. Make sure to pull back seal and check for foreign objects.
3. Wipe area with dry cloth and let air-dry.

**IMPORTANT:** Wear rubber gloves when cleaning for prolonged periods.



## Cleaning the Drum

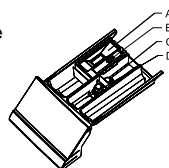
1. Make sure drum is empty.
2. Use a soft cloth or sponge to wipe clean, but do no use abrasive cleaning products. Wipe outside of unit to keep clean and wipe up spills immediately.
3. Only use HE detergents. For optimal washer freshness and keep washer open to allow drum to air dry.



## Cleaning the dispenser

- To pull the dispenser drawer out press down the lock lever to remove. Remove the liquid detergent compartment. Remove liquid bleach and liquid fabric softener cap. Clean with soft brush. Reinstall, and replace the dispenser compartment and caps.

- A) Liquid detergent compartment
- B) Lock lever
- C) Liquid bleach compartment
- D) Liquid fabric softener compartment.





### Always do the following to maintain washer freshness

- Use only HE "High Efficiency" detergent. Leave the door slightly open after each cycle to allow for better ventilation and drying of washer interior.
- If the procedure does not sufficiently improve the machine freshness, evaluate your installation and usage conditions for other causes.

**CAUTION:** If there are small children in the house, care must be taken so that they can not climb into or play inside the washer while it is open for drying.



- Water Inlet Hoses: Periodically inspect hoses for bulges, kinks, cuts, wear and tear and leaks. Replace if necessary.

## MOVING AND VACATION AND STORAGE

Store your washer where it will not freeze. Frozen, water can damage your unit. Also disconnect washer and turn off water supply. Drain water from hoses and keep washer door open to allow drum to air dry.

- Start Up After Washer is Stored: Flush water pipes and reconnect hoses and power. Run one empty load with HE detergent to clean out drum. Choose sanitary cycle and run without loading clothes. Use half the manufacturer's recommended amount of detergent for a medium size load.

**CAUTION:** This equipment is not designed for maritime use or for mobile installations such as in RV's, air craft, etc. When disposing of the washer, cut off the power cord, and destroy the plug. Disable the door lock to prevent young children being trapped inside.



## TROUBLESHOOTING

**WARNING:** Repairs to the washing machine must only be carried out by qualified personnel. Repairs carried out by inexperienced persons may cause injury or serious malfunctioning. To reduce the risk of electric shock, disconnect this appliance from the power supply before attempting any user maintenance. Turning off the "Power" pad does not disconnect this appliance from the power supply



Contact your local service center.

Problem	Possible Cause	Solution
Noise in Button / Coin Trap	* Foreign objects such as coins or safety pins may be in drum or trap.	Stop washer and check drum and trap filter. If noise continues after washer is restarted, call for service.
Vibrating noise	* Have all the transportation bolts and packing been removed? * Wash load may be unevenly distributed in the drum. * Are all the feet resting firmly on the ground?	See Installation Instructions for removing transportation bolts. Stop washer and rearrange wash load. Adjust the leveling leg. Make sure all four legs are in firm contact with the floor or the pedestal.
Water leaks	* Fill hose connection is loose at tap or washer. * House drain pipes are clogged.	Check and tighten hose connections. Unclog drain pipe. Contact plumber if necessary.
Excessive suds	* Too much detergent or unsuitable detergent.	Reduce detergent amount or use low sudsing detergent. <b>Your washer is designed specially to use only HE "High Efficiency" detergent</b>
Water does not enter washer or it enters slowly	* Water supply is not adequate in area. * Water supply tap is not completely open. * Water inlet hose is bent. * The filter of the inlet hose clogged. * Water pressure is less than 0.03MPa	Check another tap in the house. Fully open tap. Straighten hose. Check the filter of the inlet hose. Check water pressure.

Repairs to the washing machine must only be carried out by qualified personnel. Repairs carried out by inexperienced persons may cause injury or serious malfunctioning.

**Contact your local service center.**

Problem	Possible Cause	Solution
Water in the washer does not drain or drains slowly	Drain hose is bent or clogged. The Button/Coin trap is clogged. Check height of drain hose it should be less than 96" ..	Clean and straighten the drain hose. Clean the Button/Coin trap. See "Drain System" Adjust height of drain hose.
Washer does not start	Electrical power cord may not be plugged in or connection may be loose.	Make sure plug fits tightly in wall outlet.
Washer won't spin	House fuse is blown, circuit breaker tripped, or a power outage has occurred.  Water supply tap is not turned on. Check that the door is firmly shut.	Reset circuit breaker or replace fuse. Do not increase fuse capacity. If problem is a circuit overload, have it corrected by a qualified electrician.  Turn on water supply tap.  Close the door and Touch the Start/Pause pad. After Touching the Start/Pause pad, it may take a few moments before the clothes washer begins to spin.
Long wash cycle time	The washing time may vary with the amount of laundry, water pressure, water temperature, and other using conditions.	If imbalance is detected or if the suds removing program operates, the wash time shall be increased.
Washer odor	Does not use HE detergent. Stains under the door seal.	Use only HE detergent. Wipe off the stains. Leave door ajar after use.
The door cannot be unlocked by touching the Start/Pause pad to stop the washer.	The water temperature or the level is high.	Drain the water by using Rinse&/Spin cycle. (The door may be opened after the Rinse&/Spin cycle is complete.)
The water supply and drainage does not stop	Check that the height of the drain hose is below 30".  Check if the end of the drain hose is in the water.	Adjust the height of the drain hose.  Place the end of the drain hose away from the water surface.

Repairs to the washing machine must only be carried out by qualified personnel. Repairs carried out by inexperienced persons may cause injury or serious malfunctioning.

**Contact your local service center.**

Warning code	Abnormal item	Solution
ErLC	door lock abnormal	Pushing the door to check whether it is properly close; cut off the power and then turn on again. If error still exist, please contact service personnel.
ErUL	door unlock abnormal	Cut off the power and then turn on again. If error still exist, please contact service personnel.
bloc pump	drainage abnormal	Cut off the power. Check if the drain hose is bent or clogged. Check if the height of the drain hose end is more than 96" above the floor. Check if the drain filter is clogged. If error still exist, please contact service personnel.
Err3	temperature sensor error	Please contact service personnel.
Err4	heating resistor failure	Please contact service personnel.
no taps	water inlet error	Check the two water inlet hose nuts to see if they are properly fixed. Check if the inlet hoses are bent or clogged. Check that water pressure is less than 0.03MPa. Check if the water tap is not turned on. Check if the water supply is failed. If the problem is solved, touch the Start/Pause pad to continue the cycle; If error still exist, please contact service personnel.
Err7	motor no rotation error	Please contact service personnel.
Err8	water over flow error	The washer will auto drain out of water, and then auto clean up; If error still occur, please contact service personnel.
Er10	water level sensor error	Please contact service personnel.
UNB	unbalance error	It is not recommended to wash single item. 1.Cut off the power. 2.Redistribute the washing clothes. 3. Restart the spin cycle by touching "RINSE&/SPIN" pad twice.
EUAr	communication error between user interface board and power board	Please contact service personnel.
door	door not closed	Close door, then touch the "start" pad again.
PF	The Power is Low	Please Contact Service Personnel

**Problems with clothes:**

- Clothes are too wrinkled: This is due to improper sorting, overloading and washing in too hot water repeatedly. Avoid overloading and resort your load.  
Do not mix heavy clothes such as work clothes with light clothes such as blouses, light shirts and delicate items. You may need to wash in warm or cold water.
- Soap residue: Detergent may not be dissolving in water. Check water temperature. Use less detergent.
- Spots or stains on your clothes: This is due to incorrect use of fabric softener. You may need to read proper instructions on the detergent container and follow proper directions for using the softener.
- Clothes are grayed or yellowed: This is due to not using enough detergent for large loads. You may have to add more detergent to the load.
- Clothes are ripped & have holes/excessive wear & tear: This is due to sharp objects such as pins and belt buckles left in pockets. You will need to remove small loose sharp objects. Fasten belts, zippers, metal snaps etc.

**TECHNICAL SPECIFICATION**

Power Supply	120V~60Hz
Max Working Current (A)	12 AMPS
Water Pressure (PSI)	4.4 ~ 145 (30~1000kPa)
Washing Power	300 Watts
Spinning Power	800 Watts
Spinning Speed	1300 rpm
Size (High, Depth, Width)	1010mm x 808mm x 686mm
	39-3/4" x 31-13/16" x 27"
Weight (lbs.)	242 (110kg)

## LIMITED WARRANTY

### In Home Service

#### Full ONE Year Warranty

For 12 months from the date of original retail purchase, Haier will repair or replace any part free of charge including labor that fails due to a defect in materials or workmanship.

#### Limited Warranty

After one year from the original retail purchase date, Haier will provide a part at no cost, as indicated below, to replace said part as a result of a defect in materials or workmanship. Haier is solely responsible for the cost of the part. All other costs such as labor, trip charge, etc are the responsibility of the owner.

#### Second through Fifth Year

Haier will provide the cabinet assembly should the cabinet rust through.

#### Second through Tenth Year

Haier will provide the inner stainless steel wash tub.

**NOTE:** This warranty commences on the date the item was purchased and the original purchase receipt must be presented to the authorized service representative before warranty repairs are rendered.

#### Exceptions: Commercial or Rental Use Warranty

90 days labor from date of original purchase

90 days parts from date of original purchase

No other warranty applies

#### For Warranty Service

Contact your nearest authorized service center. All service must be performed by a Haier authorized service center. For the name and telephone number of the nearest authorized service center please call 1-877-337-3639.

#### Before calling please have available the following information:

Model number and serial number of your appliance. The name and address of the dealer you purchased the unit from and the date of purchase. A clear description of the problem. A proof of purchase (sales receipt).

#### This warranty covers appliances within the continental United States, Puerto Rico and Canada. What is not covered by this warranty:

Replacement or repair of household fuses, circuit breakers, wiring or plumbing.

A product whose original serial number has been removed or altered.

Any service charges not specifically identified as normal such as normal service area or hours.

Damage to clothing.

Damage incurred in shipping.

Damage caused by improper installation or maintenance.

Damage from misuse, abuse accident, fire, flood, or acts of nature.

Damage from service other than an authorized Haier dealer or service center.

Damage from incorrect electrical current, voltage or supply.

Damage resulting from any product modification, alteration or adjustment not authorized by Haier.

Adjustment of consumer operated controls as identified in the owners manual.

Hoses, knobs, lint trays and all attachments, accessories and disposable parts.

Labor, service transportation, and shipping charges for the removal and replacement of defective parts beyond the initial 12-month period.

Damage from other than normal household use.

Any transportation and shipping charges.

**THIS LIMITED WARRANTY IS GIVEN IN LIEU OF ALL OTHER WARRANTIES, EXPRESSED OR, INCLUDING THE WARRANTIES OF MERCHANTABILITY AND FITNESS FOR A PARTICULAR PURPOSE**

The remedy provided in this warranty is exclusive and is granted in lieu of all other remedies.

This warranty does not cover incidental or consequential damages, so the above limitations may not apply to you. Some states do not allow limitations on how long an implied warranty lasts, so the above limitations may not apply to you.

This warranty gives you specific legal rights, and you may have other rights, which vary, from state to state.

Haier America  
New York, NY 10018



# **IMPORTANT**

## **Do Not Return This Product To The Store**

If you have a problem with this product, please contact the  
"Haier Customer Satisfaction Center" at 1-877-337-3639.

**DATED PROOF OF PURCHASE REQUIRED FOR WARRANTY SERVICE**

# **IMPORTANT**

## **Ne pas retourner ce produit au magasin**

Pour tout problème concernant ce produit, veuillez contacter le  
service Haier au 1-877-337-3639.

**UNE PREUVE D'ACHAT DATÉE EST REQUISE POUR BÉNÉFICIER DE LA GARANTIE.**

# **IMPORTANTE**

## **No regrese este producto a la tienda**

Si tiene algún problema con este producto, por favor contacte el "Centro de  
Servicio al Consumidor de Haier" al 1-877-337-3639 (Válido solo en E.U.A).

**NECESITA UNA PRUEBA DE COMPRA FECHADA PARA EL SERVICIO DE LA GARANTIA**

**120V~60Hz**

**Made in China  
Fabriqué en Chine  
Hecho en China**

# **Haier®**

**Haier America**

**New York, NY 10018**

**Printed in China**

HWF5300AW

Issued: Febraury 2010

©2010 Haier America Trading, LLC. All Rights Reserved. 100686 0608



## Free Manuals Download Website

<http://myh66.com>

<http://usermanuals.us>

<http://www.somanuals.com>

<http://www.4manuals.cc>

<http://www.manual-lib.com>

<http://www.404manual.com>

<http://www.luxmanual.com>

<http://aubethermostatmanual.com>

Golf course search by state

<http://golfingnear.com>

Email search by domain

<http://emailbydomain.com>

Auto manuals search

<http://auto.somanuals.com>

TV manuals search

<http://tv.somanuals.com>