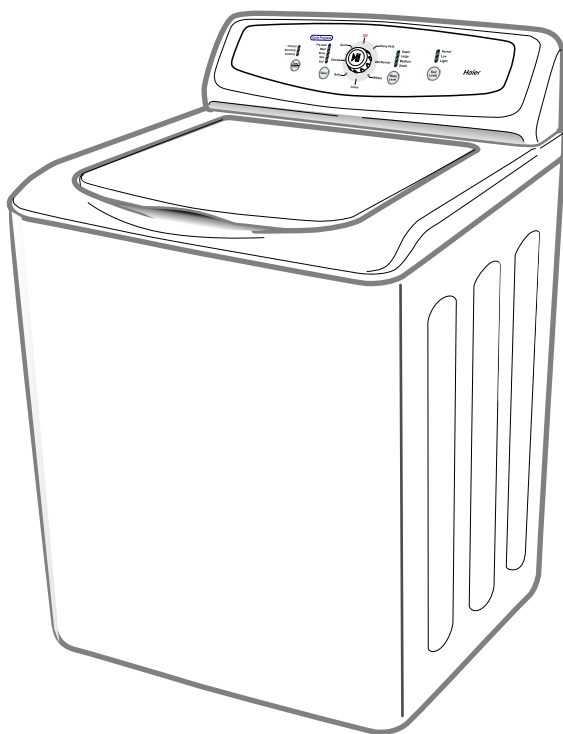


# Haier

## *Washing Machine*

### USE & CARE GUIDE



**MODEL:  
HWMP95TL**

# TABLE OF CONTENTS

PAGE

<b>IMPORTANT SAFETY INSTRUCTIONS.....</b>	<b>2, 3</b>
<b>OPERATING INSTRUCTIONS.....</b>	<b>4</b>
Parts and Features.....	4
Operating instructions.....	5
<b>CARE AND CLEANING GUIDE.....</b>	<b>7</b>
Cleaning and Maintenance.....	7
Moving & Vacationing .....	8
<b>TROUBLE SHOOTING.....</b>	<b>8</b>
<b>INSTALLATION INSTRUCTIONS.....</b>	<b>10</b>
Tools and Materials Required.....	10
Unpacking Your Washer.....	11
Levelling Your Washer.....	11
Steps for Installation.....	12
<b>ELECTRICAL REQUIREMENTS.....</b>	<b>14</b>
Power Interruptions.....	14
<b>SPECIFICATIONS.....</b>	<b>Back Cover</b>

# IMPORTANT SAFETY INSTRUCTIONS

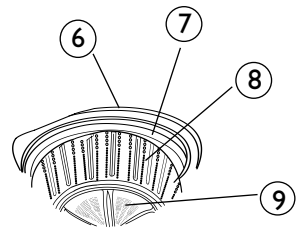
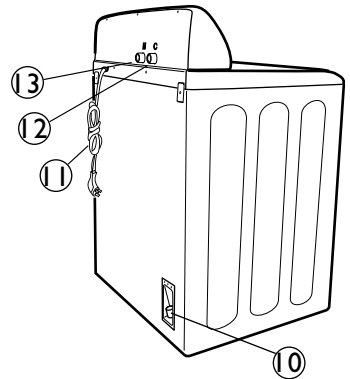
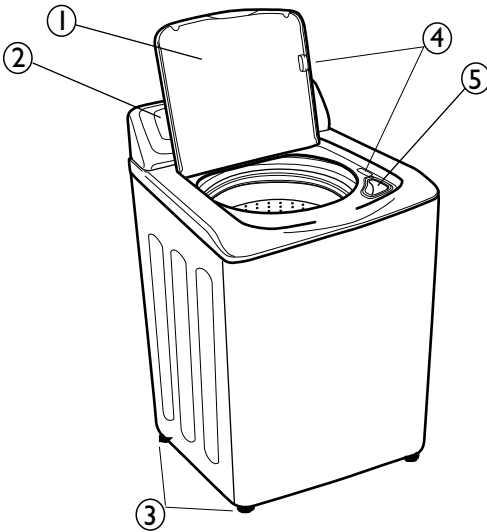
Warning - To reduce the risk of fire, electric shock, or injury when using your appliance, follow basic precautions, including the following:

1. Read all instructions before using the appliance.
2. This appliance is not intended for use by persons (including children) with reduced physical, sensory or mental capabilities, or lack of experience and knowledge, unless they have been given supervision or instruction concerning use of the appliance by a person responsible for their safety. Children should be supervised to ensure that they do not play with the appliance.
3. Use this appliance only for its intended purpose as described in this user and care guide.
4. Use only detergents or softeners recommended for use in this appliance and keep them out of the reach of children.
5. This appliance must be properly installed in accordance with the installation instructions before it is used.
6. Never unplug your appliance by pulling on the power cord. Always grasp the plug firmly and pull straight out from the outlet.
7. Replace worn power cords, loose plugs and power outlets immediately.
8. Unplug your appliance before cleaning or before making any repairs. Repairs should only be done by authorised technician..
9. Do not operate your appliance when parts are missing or broken.
10. Do not tamper with controls.
11. Do not operate your appliance in the presence of explosive fumes or toxic flammable vapours.
12. Do not use hot water that exceeds 60°C in temperature. This refers to hot water entering the machine. If temperature cannot be controlled, use WARM wash only.

13. Do not use this appliance to wash clothes which are stained, spotted or washed in gasoline, dry cleaning solvents or any other explosive or flammable substances that could ignite and explode.
14. Do not add or mix any flammable or explosive substances to the wash.
15. Do not try to remove clothes while the washer is in motion. Wait until it comes to a complete stop.
16. The lid must be closed when the machine is in operation.
17. Do not use this appliance for commercial applications.
18. Do not operate this appliance unless all panels are properly intact.
19. The appliance is not to be used by children without adult supervision.
20. This appliance must be connected to an approved electrical outlet with 240V power source.
21. Do not repair or replace any part of the appliance, this can only be done by an authorised technician.
22. To reduce the risk of electric shock or fire, do not use extension cords or adapters to connect the unit to electrical power source.
23. Ensure washer is kept free from obstacles.
24. Use the hoses provided.

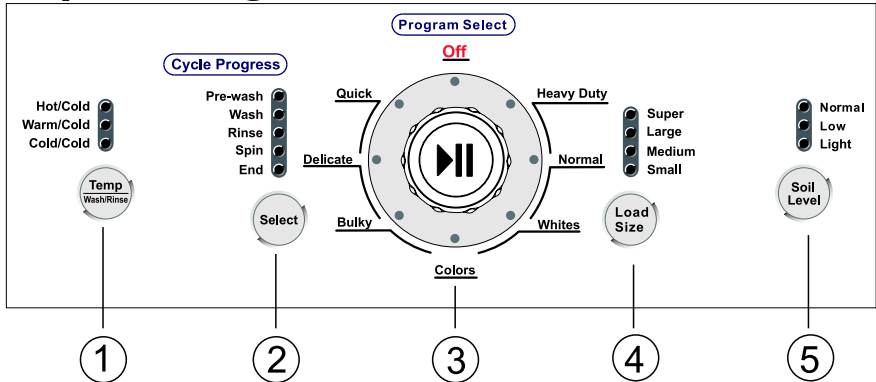
# OPERATING INSTRUCTIONS

## Parts and Features



- |                          |                               |                         |
|--------------------------|-------------------------------|-------------------------|
| ① Top lid                | ⑦ Balance ring                | ⑬ Hot Water Inlet Valve |
| ② Control panel          | ⑧ Inner tub                   |                         |
| ③ Levelling feet         | ⑨ Pulsator                    |                         |
| ④ Door switch            | ⑩ Drain hose joint            |                         |
| ⑤ Bleach injection inlet | ⑪ Power Cord (220 Volt/50 Hz) |                         |
| ⑥ Outer tub cover        | ⑫ Cold Water Inlet Valve      |                         |

# Operating Instructions



## Temperature Wash / Rinse (1)

Press this button to select your WASH and RINSE water temperature. Selection may vary or change as per the program selected.

## Select (2)

Press this button to select the cycles you require. This will also indicate the cycle progress and status of your wash program.

## Program select (3)

Turn the dial control knob to select the program you wish to use.

- \* Heavy Duty - Use this program for durable, full load. Suitable for towels, sports gear, children clothes, workwear.
- \* Normal - Use this program for normally soiled cottons and mixed fabric loads.
- \* Whites - Use this program for whites and light (similar) colored clothing
- \* Colors - Use this program for light soiled, dark or highly dyed natural fabrics, such as cotton that may be susceptible to dye loss.
- \* Bulky - Use this program to wash large items such as comforters, sleeping bags or blankets.
- \* Delicate - Use this program to wash lightly soiled garments and delicate items which require gentle washing. Suitable items are embroidered items, lingerie, lace trimmed. Also recommended to place inside a laundry wash bag.
- \* Quick - Use this program to wash small, lightly soiled loads that are needed in a hurry.

## Load Size(Water Level)(4)

Load Size(Water levels) may be set at the beginning of the wash or in pause mode.

During Pre-wash, Wash or Rinse, press this button to manually replenish water. Release for the water to stop. Function automatically is inactive when water reaches the overflow protection level.

### **Soil Level (5)**

Press this option to select the soil level of your laundry. There are 3 levels to choose from: Normal, Low and Light.

- \* Normal - Normally soiled clothes
- \* Low - Low soiled clothes
- \* Light - Lightly soiled clothes

Each dirtier wash level will increase or decrease the wash time by 2 minutes.

## **Loading the Washer:**

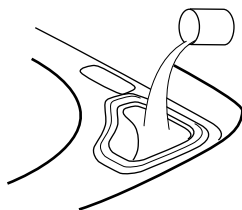
When loading the clothes into your washing machine, there are a few points to remember:

- \* Separate the white from the colored items. Separate heavily soiled items from light or delicate items.
- \* Carefully check all pockets and cuffs for small items.
- \* Remove pins and other sharp objects from clothing to avoid damages to the interior parts.
- \* Pre-treat all stains and heavily soiled areas for better result.
- \* Load each item loosely. For better results, load smaller items in first, followed by larger items.
- \* Do not overload the washer.
- \* When loading wet items, keep water level high enough so items can float easily in the water.
- \* Close the lid after loading the laundry. With the lid open, the washer will not start.

**Note:** Please only use a low-sudsing or high-efficiency type detergent.

## Bleach use and dispenser:

- \* Bleaching of clothes can help remove stains, heavy soiling and kill bacteria.
- \* Bleach should not be used on silk, wool, rayon or drip dry clothes.
- \* Bleach dispenser is located on the front corner under the lid.
- \* Fill the dispenser with the manufacturer's recommended dosage during the first water fill.
- \* Be careful not to spill undiluted bleach onto the washer cabinet or your clothes.



**Note:** Use only liquid bleach in dispenser.

## CARE AND CLEANING GUIDE

**Warning:** Always unplug your washer to avoid electric shock before cleaning. Ignoring this warning may result in injury. Before using cleaning products, always read and follow manufacturer warnings to avoid personal injury or product damage.

### Cleaning and Maintenance

- \* Use only a damp or sudsy cloth for cleaning the control panel.
- \* To avoid any kind of damage to cabinet finish, wipe washer cabinet as needed. If you spill liquid/powdered softener bleach or detergent on the cabinet, wipe cabinet immediately.
- \* Do not use any abrasive, harsh chemicals, ammonia, chlorine bleach, concentrated detergent, solvents or metal scouring pads. These chemicals may dissolve, damage and/or discolor your washer.
- \* Leave lid open after washing to allow inside of washer to dry and assist in preventing unwelcomed bad odours.



## Moving & Vacationing

- \* Turn off water supply at the faucet and disconnect hoses. Drain water from all hoses.
- \* Disconnect electrical plug.
- \* Dry inner wash tub. If moving washer disconnect drain hose.
- \* Turn the leveling legs clockwise all the way in.
- \* Move and store your washer in upright position only.
- \* To prevent mold or mildew, leave lid open so moisture inside machine can evaporate.
- \* Insert transporting bolts if you are relocating the washer. Ensure removal prior to usage.

## TROUBLE SHOOTING

### If washer does not operate:

- \* Check the unit is plugged in. The plug may have come loose.
- \* Check if the electrical wall receptacle is of proper voltage.
- \* Check if the circuit breaker needs to be reset or if the fuse needs replacing.
- \* Check if the washer is overloaded :load may need to be re-arranged or redistributed evenly.
- \* Check if the lid is open. You may have to close the lid properly.
- \* The washer pauses in some cycles. This is normal in delicate or hand-wash cycles which has short period of time. You will not hear washer operation for a short period of time. When the soak time is over, it will start automatically.

### Problems with water:

- \* Not enough water coming out: Water faucet may need to be completely turned on. Hoses may be tangled or kinked. Straighten out hoses. Check water level selection, it may need to be readjusted.

\* **Water temperature is incorrect:** Check your water heater temperature. Hot water needs to be at a temperature of at least 120°F-140°F(49°C-60°C). Check to make sure the inlet hoses are properly connected (E.g. Hot to hot & cold to cold).

\* **Water leaks:** This may be due to incorrectly installed drain hose or fill hoses. Your home drain may be clogged. You may need to tighten hoses, check the plumbing or call a plumber for assistance.

\* **Water will not drain:** This may be due to not installing your drain hose correctly. Check the position of the drain hose. In order to drain properly, make sure that top of drain outlet is less than 5 ft. (1.5 m) above the floor.

## Washer is making noise:

\* **Washer may need to be reinstalled** (Check washer installation section).

\* **Washer load may need to be re-balanced**, as the load may be uneven.

\* **Coins, loose change, buttons or other heavy objects could create noise related sounds.**

\* **Squealing sound:** Due to overloaded wash tub.

\* **Vibration Noise:** may be caused by not leveling washer properly on the floor or uneven distribution of clothes in the tub.

### Normal Operating Sounds

\* The following sounds are normally heard during the operation of the washer:

\* **Tumbling sounds:** This is normal as the heavy wet clothes in the washer are continuously being tossed around.

\* **Air rushing noise:** This happens when the washer tub spins at very high speeds.

\* **Wash and Rinse cycles going on and off will also make clicking sounds.**

## Problems with clothes:

- \* Clothes become excessively creased: this is due to improper sorting, overloading or washing in excessively hot water repeatedly. Avoid overloading and resort your load. Wash in cooler water.
- \* Soap residue: detergent may not be dissolved in water.
- \* Check water temperature, add detergent as wash tub is being filled with water. Reduce detergent dosage or pre-dissolve detergent before adding to wash.
- \* Spots or stains on your clothes: this is due to incorrect use of fabric softener. Refer to manufacturers instructions on the container and follow directions.
- \* Clothes are grayed or yellowed: this may be due to not using sufficient detergent for large loads. Add more detergent to the load.
- \* Clothes are ripped & have holes/excessive wear & tear: this may be due to sharp objects left in washing. Remove all small loose sharp objects, fasten belts, zippers, metal snaps etc. Check if you are using undiluted bleach. Never add undiluted bleach to wash.

## LED Display Notes:

Trouble Codes	Reasons
Rinse and spin indicators flash	Unit does not drain, or the speed of draining is too slow.
All process indicators flash	The washer is out of balance. Please open the lid and rebalance the load.
All water level indicators flash	The water inlet time exceeds the preset time.
“Medium” and “Small” load size (water level) indicators flash	Water overflow protection.
“Super” and “Large” load size (water level) indicators flash	The water level sensor fault - Call service.
Beeps	Top lid not close properly.

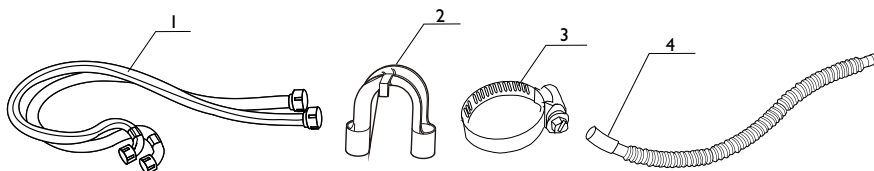
# INSTALLATION INSTRUCTIONS

## Tools and Materials Required

You will need to have following tools to help you with the installation of your washer:

Pliers, Wrench, Tape Measure, Gloves, Level

Accessories Supplied	Quantity
1.Hot & Cold inlet hoses	2
2.Drain Hose Hook	1
3.Pipe Clip/brace	1
4.Outer Drain Hose	1



## Unpacking Your Washer:

\* Remove all packing materials. This includes the foam base and all adhesive tape holding the washer accessories inside and outside.

\* Open the top lid to remove the drum brace. Pull to remove.

**NOTE:** Save drum brace. Reinstall when moving the washer.

\* Inspect and remove any remains of packing, tape or printed materials before using the washer.

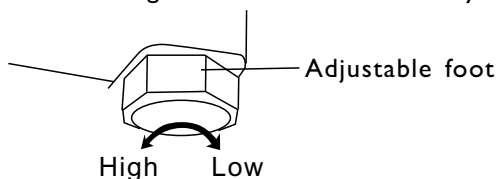
**WARNING:** To avoid danger of suffocation, keep plastic bag and other packing material away from babies and children. Do not use this bag in cribs, carriages and playpens. The plastic bag could block nose and mouth and prevent breathing. This bag is not a toy.

## Leveling Your Washer

\* Your washer has 4 leveling legs; which are located on the four bottom corners.

\* After properly placing your washer in its final position, you can level your washer.

\* Leveling legs can be adjusted by turning them counterclockwise to raise your washer or turning them clockwise to lower your washer.



**WARNING:** Leveling of washer is very important to prevent vibration during spin.

## Steps for Installation

- Select a suitable location for the washer on a hard even surface away from direct sunlight or heat source e.g. radiators, baseboard heaters, cooking appliances etc. Any floor unevenness should be corrected with the leveling legs located on the bottom corners of the washer. The washer must be placed at room temperature. You must not place washer where the temperature is at below freezing. For this machine having ventilation openings in the base, make sure the openings must not be obstructed by a carpet.

## Installing Your Washer

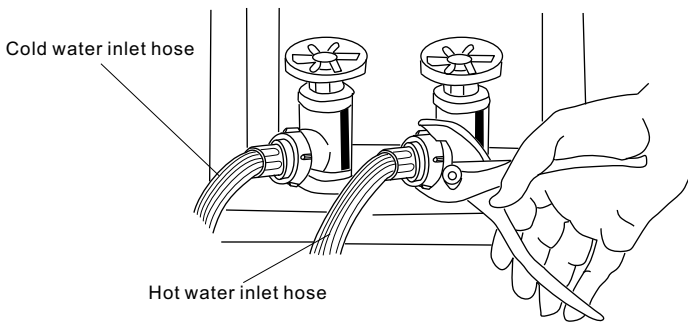
Read installation instructions carefully before installation.

1. Do not use water inlet hoses without a flat washer on each end. The washer in the coupling has to be placed firmly. Flat water inlet hose washers are preinstalled in each end of the water inlet hoses.

New hose-sets supplied with the appliance are to be used and that old hose-sets should not be reused.



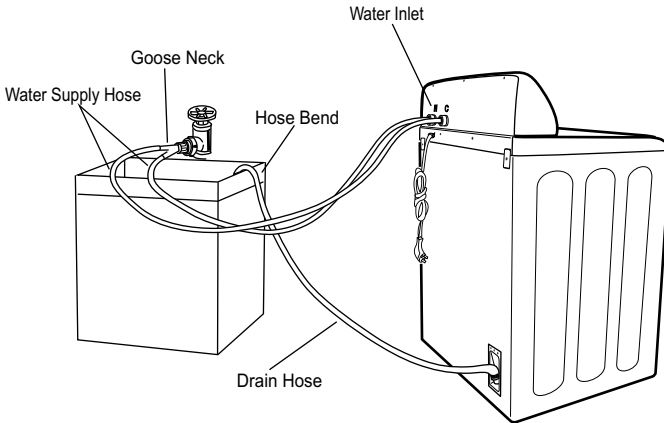
**NOTE:** You may have to use pliers to tighten the coupling. Do not over tighten because you may cause damage to the valve.



2. Connect the hot and cold water inlet hoses to the hot and cold water faucet.

3. Install the drain hose to the back of the washer using the drain hose clamp provided. The drain hose must be placed into a drain pipe or sink at least 3.5cm in diameter. Use the goose neck to fix the hose in place.

To avoid possible flush back of water, the drain hose must be fixed at a minimum height of 1000mm and a maximum height of 1500mm.



4. Plug the washer into a regular 220-240 Volt/50Hz, 10Amp outlet.

**Note :** Carefully inspect around the machine for any leaks, and tighten any loose connections.

**Caution:** If, after completing these steps, you are unsure that unit is properly installed, contact a qualified installer. To ensure that your washer is properly installed, it is recommended that it be installed by a certified installer.

# ELECTRICAL REQUIREMENTS

## Earthing Instructions

This appliance must be grounded. In the event of an electrical short circuit, grounding reduces the risk of electric shock by providing an escape wire for the electric current. This appliance is equipped with a grounding wire with a grounded plug. The plug must be inserted into an outlet that is properly installed and grounded.



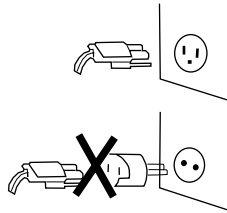
Improper use of the plug can result in a risk of electric shock. Consult a qualified electrician or service person if the grounding instructions are not completely understood or if doubt exists as to whether the appliance is properly grounded.

### Wiring Requirements:

The washer must be plugged into at least 10AMP 220-240 VOLT, 50 HZ GROUNDED OUTLET.

If the supply cord is damaged, it must be replaced by the manufacturer, its service agent or similarly qualified persons in order to avoid a hazard.

**Note:** If a standard two-prong outlet is encountered, it is the personal responsibility and obligation of the consumer to have it replaced with a properly grounded three-prong outlet.



### Extension Cords:

We do not recommend that you use an extension cord.

**CAUTION:** If this appliance is supplied from a cord extension set or electrical portable outlet device, the cord extension set or electrical portable outlet device must be positioned so that it is not subject to splashing or ingress of moisture.

## Power Interruptions

Occasionally there may be power interruptions due to thunderstorms or other causes. Remove the power cord from AC outlet when a power outage occurs. When power has been restored re-plug power cord to AC outlet. If outage is for a prolonged period, clean washer before using it again.

## SPECIFICATIONS

Rated voltage • frequency	220-240V~ • 50Hz
Rated washing / spinning capacity	9.5kg/9.5kg
Spin speed max	800rpm
Inlet pressure	0.03MPa-1.0MPa
Net weight	76kg
Dimensions (mm)	686 (Depth) x 686 (Width) x 1105 (Height)



## Free Manuals Download Website

<http://myh66.com>

<http://usermanuals.us>

<http://www.somanuals.com>

<http://www.4manuals.cc>

<http://www.manual-lib.com>

<http://www.404manual.com>

<http://www.luxmanual.com>

<http://aubethermostatmanual.com>

Golf course search by state

<http://golfingnear.com>

Email search by domain

<http://emailbydomain.com>

Auto manuals search

<http://auto.somanuals.com>

TV manuals search

<http://tv.somanuals.com>