

DESCRIPTION

A pendant mounted downlight suspended by twin aircraft type cables with acrylic refractor for 26/32/42 watt compact fluorescent sources. The Chorus series is available with acrylic refractor or aluminum reflector rated for 100 watt incandescent, 26/32/42 watt compact fluorescent and 70 watt ceramic metal halide light sources. Compact fluorescent and ceramic metal halide versions use universal input electronic ballast suitable for 120 to 277 VAC supply. These pendants are suited for general ambient and task lighting for commercial and institutional spaces including retail stores, supermarkets, community centers and schools.

DESIGN FEATURES

A...Refractor

Clear acrylic lens provides effective downlighting with an uplight component to illuminate walls and ceiling surfaces. Prisms are molded internal to lens providing a smooth easy-to-clean surface.

B...Ballast/Socket Housing

Spun aluminum housing supported by a die formed steel frame with electronic ballast suitable for operating a 26, 32 and 42 watt compact fluorescent lamp. Ballast also features universal voltage input and will operate at 120 through 277 volts. A GX24q base accepts 26 watt, 32 watt and 42 watt triple tube compact fluorescent lamps.

C...Mounting Cables

Fixture is suspended by two aircraft type cables. Dual suspension points allow fixture to be easily levelled and aligned within the mounting plane.

D...Power Cable

Three conductor cable is terminated to a quick disconnect type connector that plugs into a mating connector in the ballast/socket housing. The power supply connector simplifies installation and fixture servicing. The other cable end is attached through the canopy with a strain relief allowing height adjustment.

E...Canopy

Mounting plate and cover of die formed steel. Mounting plate has provisions for two 1/2" trade

| | |
|-------------|------|
| Catalog # | Type |
| Project | |
| Comments | |
| Prepared by | Date |

size fittings, meets code requirements for an electrical junction box and is suitable for attaching to all types of mounting surfaces. Slots are provided for direct mounting to an octagon or square (4 x 4) trade box. A plaster reducing ring with 2 3/4" trade size mounting center is required when using a 4 x 4 trade box.

F...Glass Diffuser

Optional glass diffuser provides even light distribution and shields fixture interior from insects and dirt. Diffuser attaches to refractor with two cylindrical clamps.

Labels

Meets UL 1598; cULus listed / certified; Meets FCC Part 18 non-consumer limits.



H2600E42 CHORUS

26 / 32 / 42 W

Compact Fluorescent

12"

ACRYLIC REFRACTOR
PENDANT DOWNLIGHT

Energy Data

26W Triple CF

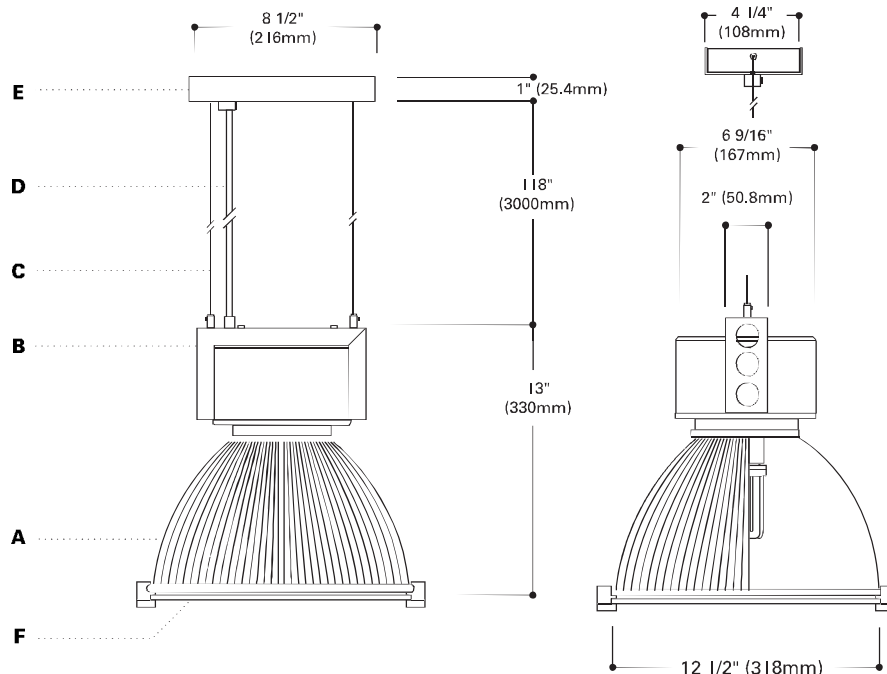
Input Watts:
120V = 26.0W
277W = 26.0W
Input Current:
120V = 0.22A
277V = 0.09A
Power Factor: 98%
THD: <10%
Sound rating: A

32W Triple CF

Input Watts:
120V = 34.5W
277W = 34.5W
Input Current:
120V = 0.30A
277V = 0.13A
Power Factor: 98%
THD: <10%
Sound rating: A

42W Triple CF

Input Watts:
120V = 47.0W
277W = 47.0W
Input Current:
120V = 0.39A
277V = 0.13A
Power Factor: 98%
THD: <10%
Sound rating: A

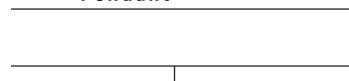


ORDERING INFORMATION

SAMPLE NUMBER: H2600E42SL

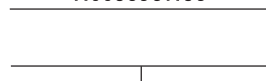
Complete unit consists of housing and trim.

Pendant



H2600E42SL=12" Diameter Prismatic Refractor Pendant, Silver

Accessories



Diffuser GDK12=12" Glass Diffuser Kit

COOPER LIGHTING

NOTE: Accessories should be ordered separately.
Download from www.Somanuals.com. All Manuals Search And Download.

ADV030745

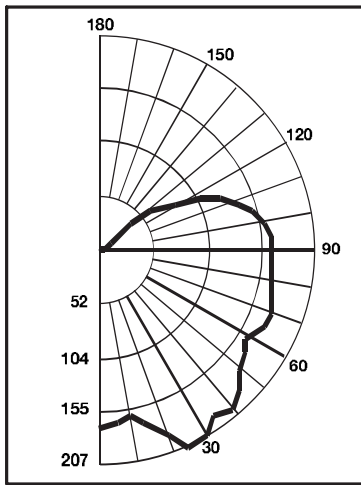
9/04

TAB: SURFACE LUMINAIRES

Sheet 5

PHOTOMETRICS

Candlepower Distribution



H2600E42 Test No. 11871.0
 Lamp=1/26W Triple CF Lumens=1800
 Spacing Criteria=1.7 Efficiency=94.6%

Candlepower

| Deg. | CD | 55 | 171 | 120 | 109 |
|------|-----|-----|-----|-----|-----|
| 0 | 172 | 60 | 164 | 125 | 86 |
| 5 | 167 | 65 | 173 | 130 | 64 |
| 10 | 161 | 70 | 174 | 135 | 38 |
| 15 | 171 | 75 | 174 | 140 | 17 |
| 20 | 190 | 80 | 171 | 145 | 4 |
| 25 | 207 | 85 | 169 | 150 | 02 |
| 30 | 203 | 90 | 166 | 155 | 1 |
| 35 | 193 | 95 | 164 | 160 | 1 |
| 40 | 195 | 100 | 160 | 165 | 1 |
| 45 | 191 | 105 | 155 | 170 | 1 |
| 50 | 179 | 110 | 145 | 175 | 1 |
| | | 115 | 131 | 180 | 1 |

Average Luminance

| Deg. | CD/SQ M |
|------|---------|
| 45 | 1950 |
| 55 | 1815 |
| 65 | 1987 |
| 75 | 2237 |
| 85 | 2567 |

Zonal Lumen Summary

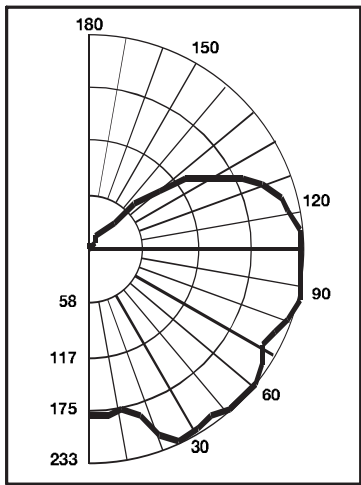
| Zone | Lumens | %Lamp | %Luminaire |
|--------|--------|-------|------------|
| 0-30 | 159 | 8.8 | 9.3 |
| 0-40 | 281 | 15.7 | 16.6 |
| 0-60 | 582 | 32.3 | 34.2 |
| 0-90 | 1119 | 62.2 | 65.7 |
| 90-120 | 470 | 26.1 | 27.6 |
| 90-130 | 547 | 30.4 | 32.1 |
| 90-150 | 582 | 32.3 | 34.1 |
| 90-180 | 583 | 32.4 | 34.2 |
| 0-180 | 1702 | 94.6 | 100.0 |

Coefficient of Utilization

| rc | rw | 80% | | | | 70% | | | | 50% | | | | 30% | | | | 10% | | | | 0% | | | |
|-----|----|-----|-----|-----|-----|-----|----|----|----|-----|----|----|----|-----|----|----|----|-----|----|----|----|----|--|--|--|
| | | 70 | 50 | 30 | 10 | 70 | 50 | 30 | 10 | 50 | 30 | 10 | 50 | 30 | 10 | 50 | 30 | 10 | 50 | 30 | 10 | 0 | | | |
| RCR | 0 | 105 | 105 | 105 | 105 | 99 | 99 | 99 | 99 | 87 | 87 | 87 | 76 | 76 | 76 | 67 | 67 | 67 | 62 | 62 | 62 | 62 | | | |
| | 1 | 91 | 85 | 79 | 74 | 85 | 79 | 74 | 70 | 69 | 65 | 61 | 60 | 57 | 54 | 51 | 49 | 47 | 42 | 42 | 42 | 42 | | | |
| | 2 | 81 | 71 | 63 | 57 | 75 | 67 | 60 | 53 | 58 | 52 | 47 | 50 | 45 | 41 | 42 | 39 | 36 | 32 | 32 | 32 | 32 | | | |
| | 3 | 73 | 61 | 52 | 45 | 68 | 57 | 49 | 43 | 50 | 43 | 38 | 43 | 38 | 33 | 36 | 32 | 29 | 25 | 25 | 25 | 25 | | | |
| | 4 | 66 | 53 | 44 | 37 | 61 | 50 | 42 | 35 | 43 | 37 | 31 | 37 | 32 | 27 | 32 | 27 | 24 | 20 | 20 | 20 | 20 | | | |
| | 5 | 60 | 47 | 38 | 31 | 56 | 44 | 36 | 29 | 38 | 31 | 26 | 33 | 27 | 23 | 28 | 24 | 20 | 17 | 17 | 17 | 17 | | | |
| | 6 | 55 | 42 | 33 | 27 | 51 | 39 | 31 | 25 | 34 | 27 | 22 | 30 | 24 | 20 | 25 | 21 | 17 | 14 | 14 | 14 | 14 | | | |
| | 7 | 51 | 38 | 29 | 23 | 47 | 35 | 27 | 22 | 31 | 24 | 19 | 27 | 21 | 17 | 23 | 18 | 15 | 12 | 12 | 12 | 12 | | | |
| | 8 | 47 | 34 | 26 | 20 | 44 | 32 | 24 | 19 | 28 | 22 | 17 | 24 | 19 | 15 | 21 | 16 | 13 | 11 | 11 | 11 | 11 | | | |
| | 9 | 44 | 31 | 23 | 18 | 41 | 29 | 22 | 17 | 26 | 19 | 15 | 22 | 17 | 13 | 19 | 15 | 12 | 9 | 9 | 9 | 9 | | | |
| | 10 | 41 | 28 | 21 | 16 | 38 | 27 | 20 | 15 | 24 | 18 | 13 | 21 | 15 | 12 | 18 | 13 | 10 | 8 | 8 | 8 | 8 | | | |

rc=Ceiling reflectance, rw=Wall reflectance, rcr=Room cavity ratio: CU Data Based on 20% Effective Floor Cavity Reflectance.

Candlepower Distribution



H2600E42 Test No. 11873.0
 Lamp=1/32W Triple CF Lumens=2400
 Spacing Criteria=1.7 Efficiency=93.5%

Candlepower

| Deg. | CD | 60 | 218 | 125 | 128 |
|------|-----|-----|-----|-----|-----|
| 0 | 186 | 65 | 219 | 130 | 99 |
| 5 | 184 | 70 | 226 | 135 | 69 |
| 10 | 183 | 75 | 233 | 140 | 38 |
| 15 | 194 | 80 | 232 | 145 | 14 |
| 20 | 215 | 85 | 230 | 150 | 4 |
| 25 | 231 | 90 | 227 | 155 | 1 |
| 30 | 232 | 95 | 227 | 160 | 0 |
| 35 | 224 | 100 | 221 | 165 | 1 |
| 40 | 231 | 105 | 212 | 170 | 1 |
| 45 | 232 | 110 | 199 | 175 | 2 |
| 50 | 230 | 115 | 180 | 180 | 2 |
| 55 | 225 | 120 | 155 | | |

Average Luminance

| Deg. | CD/SQ M |
|------|---------|
| 45 | 2368 |
| 55 | 2393 |
| 65 | 2517 |
| 75 | 3006 |
| 85 | 3509 |

Zonal Lumen Summary

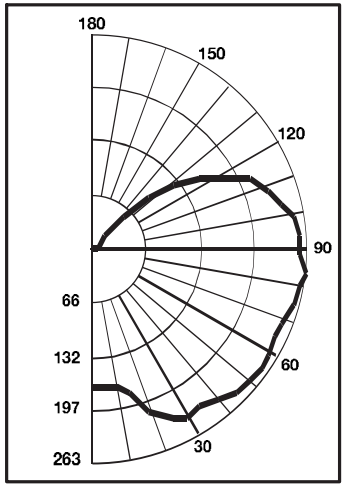
| Zone | Lumens | %Lamp | %Luminaire |
|--------|---------|-------|------------|
| 0-30 | 178.99 | 7.5 | 8 |
| 0-40 | 322.06 | 13.4 | 14.4 |
| 0-60 | 702.47 | 29.3 | 31.3 |
| 0-90 | 1416.44 | 59 | 63.1 |
| 90-120 | 646.73 | 26.9 | 28.8 |
| 90-130 | 761.51 | 31.7 | 33.9 |
| 90-150 | 826.59 | 34.4 | 36.8 |
| 90-180 | 827.68 | 34.5 | 36.9 |
| 0-180 | 2244.13 | 93.5 | 100 |

Coefficient of Utilization

| rc | rw | 80% | | | | 70% | | | | 50% | | | | 30% | | | | 10% | | | | 0% | | | |
|-----|----|-----|-----|-----|-----|-----|----|----|----|-----|----|----|----|-----|----|----|----|-----|----|----|----|----|--|--|--|
| | | 70 | 50 | 30 | 10 | 70 | 50 | 30 | 10 | 50 | 30 | 10 | 50 | 30 | 10 | 50 | 30 | 10 | 50 | 30 | 10 | 0 | | | |
| RCR | 0 | 103 | 103 | 103 | 103 | 97 | 97 | 97 | 97 | 85 | 85 | 85 | 74 | 74 | 74 | 64 | 64 | 64 | 59 | 59 | 59 | 59 | | | |
| | 1 | 89 | 83 | 77 | 72 | 83 | 77 | 72 | 68 | 67 | 63 | 59 | 57 | 54 | 51 | 48 | 46 | 44 | 39 | 39 | 39 | 39 | | | |
| | 2 | 79 | 70 | 62 | 55 | 73 | 65 | 58 | 52 | 56 | 50 | 45 | 47 | 43 | 39 | 40 | 36 | 33 | 29 | 29 | 29 | 29 | | | |
| | 3 | 71 | 60 | 51 | 44 | 66 | 56 | 48 | 41 | 48 | 41 | 36 | 41 | 35 | 31 | 34 | 30 | 26 | 23 | 23 | 23 | 23 | | | |
| | 4 | 65 | 52 | 43 | 36 | 60 | 48 | 40 | 34 | 42 | 35 | 30 | 35 | 30 | 25 | 29 | 25 | 22 | 18 | 18 | 18 | 18 | | | |
| | 5 | 59 | 46 | 37 | 30 | 54 | 43 | 34 | 28 | 37 | 30 | 25 | 31 | 26 | 21 | 26 | 22 | 18 | 15 | 15 | 15 | 15 | | | |
| | 6 | 54 | 41 | 32 | 25 | 50 | 38 | 30 | 24 | 33 | 26 | 21 | 28 | 22 | 18 | 23 | 19 | 15 | 13 | 13 | 13 | 13 | | | |
| | 7 | 50 | 37 | 28 | 22 | 46 | 34 | 26 | 21 | 29 | 23 | 18 | 25 | 20 | 16 | 21 | 17 | 13 | 11 | 11 | 11 | 11 | | | |
| | 8 | 46 | 33 | 25 | 19 | 43 | 31 | 23 | 18 | 27 | 20 | 16 | 23 | 18 | 14 | 19 | 15 | 12 | 9 | 9 | 9 | 9 | | | |
| | 9 | 43 | 30 | 22 | 17 | 40 | 28 | 21 | 16 | 24 | 18 | 14 | 21 | 16 | 12 | 18 | 13 | 10 | 8 | 8 | 8 | 8 | | | |
| | 10 | 40 | 27 | 20 | 15 | 37 | 26 | 19 | 14 | 22 | 16 | 12 | 19 | 14 | 11 | 16 | 12 | 9 | 7 | 7 | 7 | 7 | | | |

rc=Ceiling reflectance, rw=Wall reflectance, rcr=Room cavity ratio: CU Data Based on 20% Effective Floor Cavity Reflectance.

Candlepower Distribution



H2600E42 Test No. 11875.0
 Lamp=1/42W Triple CF Lumens=3200
 Spacing Criteria=1.7 Efficiency=79.4%

Candlepower

| Deg. | CD | 55 | 253 | 120 | 190 |
|------|-----|-----|-----|-----|-----|
| 0 | 167 | 60 | 251 | 125 | 160 |
| 5 | 167 | 65 | 250 | 130 | 127 |
| 10 | 168 | 70 | 253 | 135 | 95 |
| 15 | 185 | 75 | 259 | 140 | 61 |
| 20 | 209 | 80 | 263 | 145 | 25 |
| 25 | 232 | 85 | 263 | 150 | 8 |
| 30 | 236 | 90 | 259 | 155 | 2 |
| 35 | 233 | 95 | 258 | 160 | 2 |
| 40 | 245 | 100 | 253 | 165 | 2 |
| 45 | 252 | 105 | 245 | 170 | 2 |
| 50 | 254 | 110 | 233 | 175 | 3 |
| | | 115 | 214 | 180 | 3 |

Average Luminance

| Deg. | CD/SQ M |
|------|---------|
| 45 | 2368 |
| 55 | 2393 |
| 65 | 2517 |
| 75 | 3006 |
| 85 | 3509 |

Zonal Lumen Summary

| Zone | Lumens | %Lamp | %Luminaire |
|--------|---------|-------|------------|
| 0-30 | 174.87 | 5.5 | 6.9 |
| 0-40 | 323.68 | 10.1 | 12.7 |
| 0-60 | 744.69 | 23.3 | 29.3 |
| 0-90 | 1553.2 | 48.5 | 61.1 |
| 90-120 | 750 | 23.4 | 29.5 |
| 90-130 | 893.3 | 27.9 | 35.1 |
| 90-150 | 986.25 | 30.8 | 38.8 |
| 90-180 | 988.76 | 30.9 | 38.9 |
| 0-180 | 2541.96 | 79.4 | 100 |

Coefficient of Utilization

| rc | rw | 80% | | | | 70% | | | | 50% | | | | 30% | | | | 10% | | | | 0% | | | |
|-----|----|-----|----|----|----|-----|----|----|----|-----|----|----|----|-----|----|----|----|-----|----|----|----|----|--|--|--|
| | | 70 | 50 | 30 | 10 | 70 | 50 | 30 | 10 | 50 | 30 | 10 | 50 | 30 | 10 | 50 | 30 | 10 | 50 | 30 | 10 | 0 | | | |
| RCR | 0 | 87 | 87 | 87 | 87 | 82 | 82 | 82 | 82 | 71 | 71 | 71 | 61 | 61 | 61 | 53 | 53 | 53 | 49 | 49 | 49 | 49 | | | |
| | 1 | 75 | 70 | 65 | 61 | 70 | 65 | 61 | 57 | 56 | 52 | 49 | 47 | 45 | 42 | 40 | 38 | 36 | 32 | 32 | 32 | 32 | | | |
| | 2 | 67 | 59 | 52 | 46 | 62 | 54 | 48 | 43 | 47 | 42 | 38 | 39 | 35 | 32 | 32 | 30 | 27 | 23 | 23 | 23 | 23 | | | |
| | 3 | 60 | 50 | 43 | 37 | 55 | 47 | 40 | 34 | 40 | 34 | 30 | 33 | 29 | 25 | 28 | 24 | 21 | 18 | 18 | 18 | 18 | | | |
| | 4 | 54 | 44 | 36 | 30 | 50 | 41 | 33 | 28 | 35 | 29 | 24 | 29 | 24 | 21 | 24 | 20 | 17 | 14 | 14 | 14 | 14 | | | |
| | 5 | 50 | 38 | 31 | 25 | 46 | 36 | 29 | 23 | 30 | 25 | 20 | 26 | 21 | 17 | 21 | 17 | 14 | 12 | 12 | 12 | 12 | | | |
| | 6 | 45 | 34 | 27 | 21 | 42 | 32 | 25 | 20 | 27 | 21 | 17 | 23 | 18 | 15 | 19 | 15 | 12 | 10 | 10 | 10 | 10 | | | |
| | 7 | 42 | 31 | 23 | 18 | 39 | 28 | 22 | 17 | 24 | 19 | 15 | 21 | 16 | 13 | 17 | 13 | 10 | 8 | 8 | 8 | 8 | | | |
| | 8 | 39 | 28 | 21 | 16 | 36 | 26 | 19 | 15 | 22 | 17 | 13 | 19 | 14 | 11 | 16 | 12 | 9 | 7 | 7 | 7 | 7 | | | |
| | 9 | 36 | 25 | 18 | 14 | 33 | 23 | 17 | 13 | 20 | 15 | 11 | 17 | 13 | 10 | 14 | 11 | 8 | 6 | 6 | 6 | 6 | | | |
| | 10 | 34 | 23 | 16 | 12 | 31 | 21 | 15 | 11 | 18 | 13 | 10 | 16 | 12 | 9 | 13 | 10 | 7 | 5 | 5 | 5 | 5 | | | |

rc=Ceiling reflectance, rw=Wall reflectance, rcr=Room cavity ratio: CU Data Based on 20% Effective Floor Cavity Reflectance.

Note: Specifications and Dimensions subject to change without notice.



Free Manuals Download Website

<http://myh66.com>

<http://usermanuals.us>

<http://www.somanuals.com>

<http://www.4manuals.cc>

<http://www.manual-lib.com>

<http://www.404manual.com>

<http://www.luxmanual.com>

<http://aubethermostatmanual.com>

Golf course search by state

<http://golfingnear.com>

Email search by domain

<http://emailbydomain.com>

Auto manuals search

<http://auto.somanuals.com>

TV manuals search

<http://tv.somanuals.com>