



# MV9700

## Portable DVD with TV/USB/SD/MMC

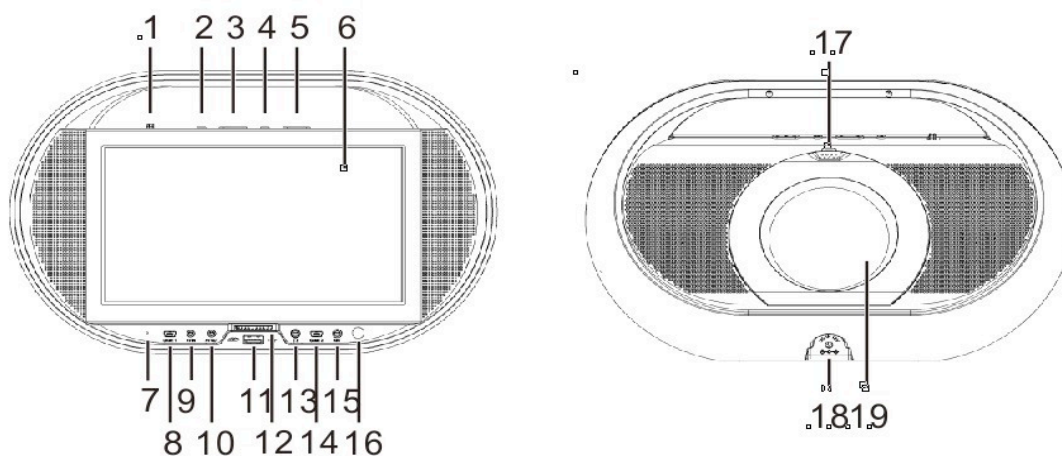


# INSTRUCTION MANUAL

Components or manufacturing process may be subject to change within the specification for improving purpose.

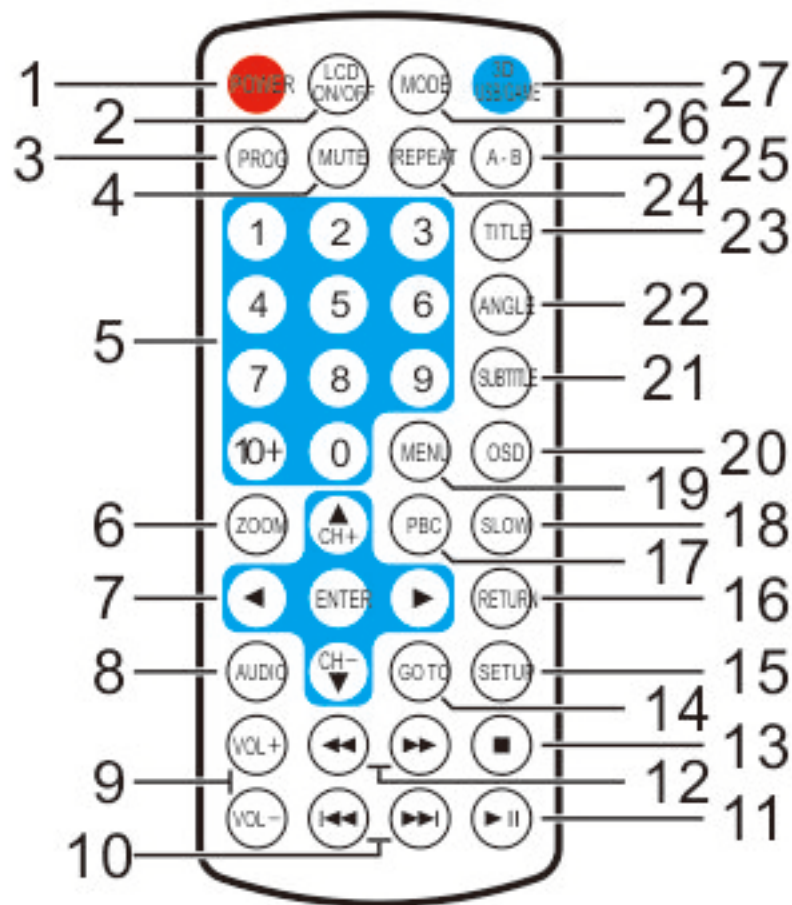
**Thank you for buying this product.**

## 1 Head unit



- 1) ON/OFF: Turns on/off DVDplayer.
- 2) MODE: Press to switch between the following mode: TV IN--FM--AV IN--DVD.
- 3) VOLUME: Increase or decrease the volume.
- 4) PLAY / PAUSE: Press to switch sequentially between playback and pause.
- 5) PREVIOUS : Press to return to the previous tracker (chapter).  
NEXT : Press to go to the next tracker (chapter).
- 6) LCD Display
- 7) Power LED
- 8) GAME 1: Game 1 jack.
- 9) AV IN: Audio/video input jack.
- 10) AV OUT: Audio/video output jack.
- 11) USB: USB jack.
- 12) SD/MMC: SD/MMC jack.
- 13) PHONE: Headphone jack.
- 14) GAME 2: Game 2 jack.
- 15) IR
- 16) ANT: Ant jack.
- 17) OPEN: Opens/closes the disc cover.
- 18) DC IN: Power supply socket, DC 12 V.

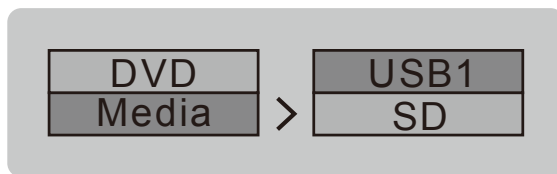
## 2.Remote control



- 1) POWER : Power on or power off.
- 2) LCD ON/OFF : Turns on/off LCD monitor.
- 3) PROG
- 4) MUTE : Switch between mute on or mute off.
- 5) 0-10 buttons : Press to directly select the desired track, preset tuning or disc.
- 6) ZOOM : 1/4, 1/3, 1/2, 2, 3, 4
- 7) Direction & Enter : Navigates menus.
- 8) AUDIO : Press to change the audio language during DVD playback.
- 9) VOLUME : Press to increase or decrease the volume.
- 10) PREVIOUS : Press to return to the previous tracker (chapter).  
NEXT : Press to go to the next tracker (chapter).
- 11) PLAY / PAUSE : Press to switch sequentially between playback and pause.
- 12) REVERSE : Press to perform fast reverse..  
FORWARD : Press to perform fast forward.
- 13) STOP : Press to stop playback.
- 15)SETUR
- 16) RETURN : Press to display the PBC menu during PBC playback..

- 17) PBC : During Playing SVCD,VCD 2.0 with PBC function .you can enjoy a simple PBC interactive function.
- 18) SLOW : Each time you press, it changes the speed in four steps in the following order: 1/2--1/4--1/8--1/16.
- 19) MENU : Enter the menu display
- 20) OSD : Show the title and chapter currently playing.  
Show the elapsed playing time of the current chapter.
- 21) SUBTITLE : Press to change the subtitle language during DVD playback.  
Press to copy the music from CD to USB flash disk.
- 22) ANGLE : Select DVD camera angle.
- 23) TITLE : Show the title currently playing.
- 24) REPEAT :  
There are three repeat play ranges for the DVD playback: all, chapter and title .  
For TV, press to return to the previous display.
- 25) A-B button
- 26) MODE : Press to switch between the following mode: TV IN--FM--AV IN--DVD.
- 27) USB/GAME : Press to switch between DVD, USB and SD card.

### 3 Source



#### 4.1 General Setup Page

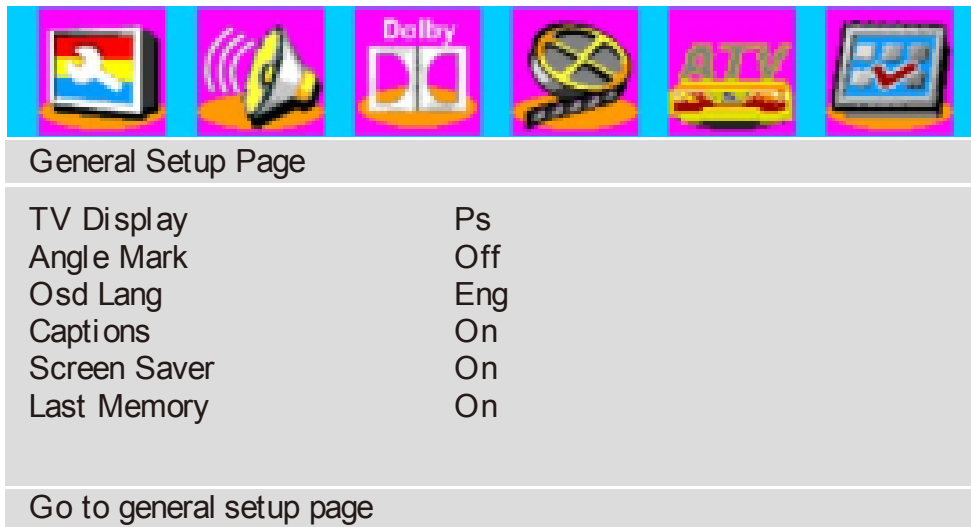
Press SETUP button to General Setup Page when dvd is playing.

##### TV Display

For TV display mode, you can choose Normal / Ps, Normal / Lb or Wide mode.

##### Angle Mark

Select on or off.



#### OSD menu languages

For OSD menu languages, you can choose English, Chinese, French, German, Spanish, Italian, Portuguese or Russian.

#### Captions

Select on or off.

#### Screen Saver

Select on or off.

#### Last Memory

Select the last memory state on or off.

#### 4.2 Audio Setup Page



#### Speaker Setup

##### Downmix

For downmix, you can choose Lt / Rt, Stereo or V Surr mode.



#### Equalizer

Eq Type

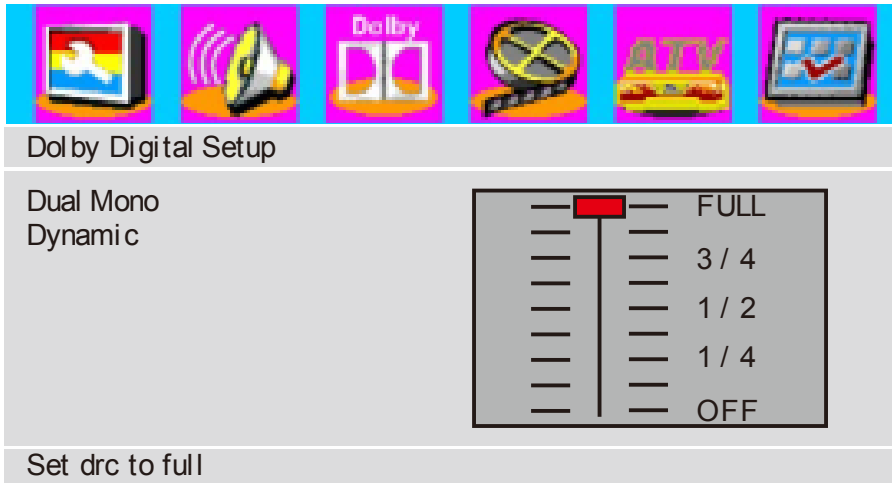
For equalizer type, you can choose rock, pop, live, dance, techno, classic or soft mode.

#### 4.3 Dolby Digital Setup



#### Dual Mono

For dual mono, you can choose Stereo, L-Mono, R-Mono or Mix-Mono mode.

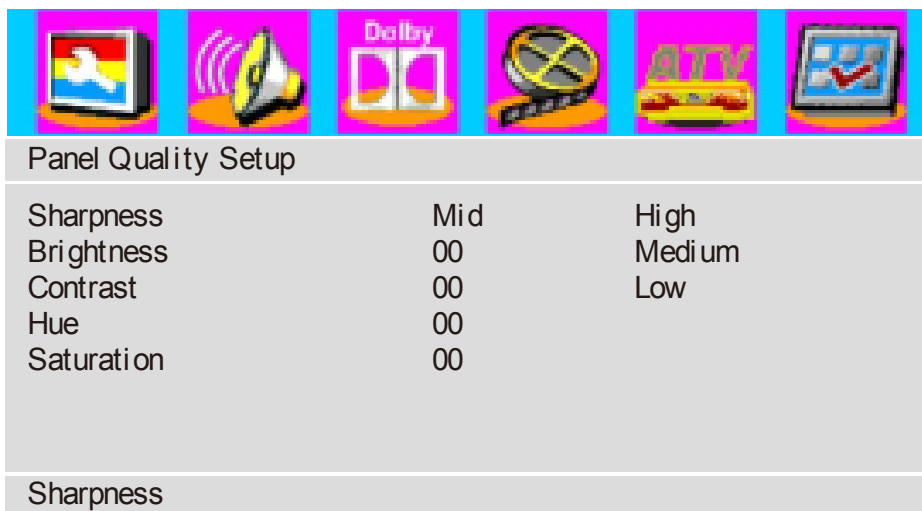


#### Dynamic

There are eight levels of dynamic for choose.

FULL--7 / 8--3 / 4--1 / 2-- 3 / 8--1 / 4 -- 1 / 8 -- OFF

#### 4.5 Panel Quality Setup



Sharpness : You can choose high, medium or low mode.

Brightness : Adjust screen brightness from -16 to +16.

Contrast : Adjust screen contrast from-16 to +16

Hue : Adjust screen hue from-9 to +9

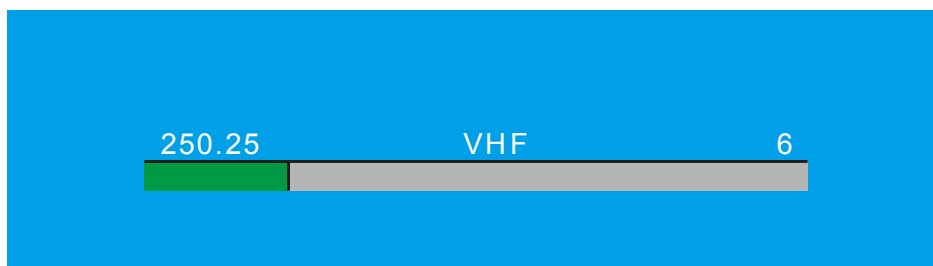
Saturation : Adjust screen saturation from-9 to +9

#### 4.5 ATV Setup

Press MODE button to switch the TV IN and then press SETUP button to ATV setup page.



##### Auto Search

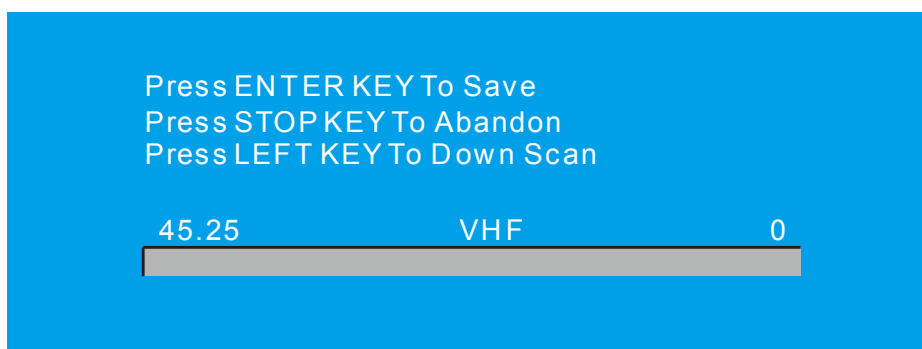


##### Manu Search

Press ENTER key to save.

Press STOP key to abandon.

Press LEFT key to down scan.



##### Fine Tune





#### ATV Audio Mode

There are night mode of audio for choose.  
Please to choose the local audio system you need.

#### 4.6. Preference Page

Press SETUP button to Preference Page when disc cover is open.



TV Type : Select TV standard.

PAL,AUTO,NTSC.

Audio : Select audio language.

Subtitle : Select subtitle language.

Disc Menu : Select menu language.

Parental : Select parental control.

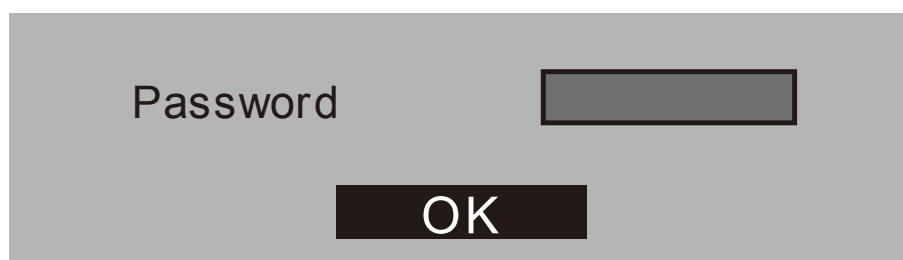
1 Kid Saf , 2 G , 3 Pg , 4 Pg\_13 , 5 Pgr , 6 R , 7 Nc17 , 8 Adult .

#### Password

Password Mode : Select on or off.

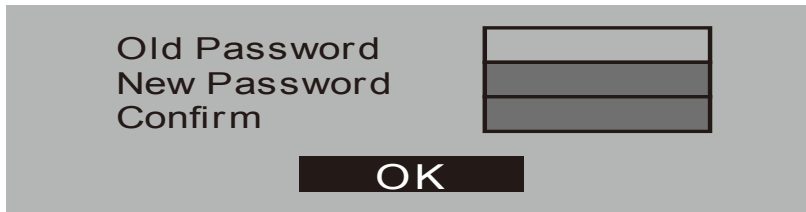
Input the password and press OK button if you want to change it.

The default password is 0000.



#### Password

Input the old password and new password, then press OK button if you want to change the password.



Default

Reset the system and load the factory setting.

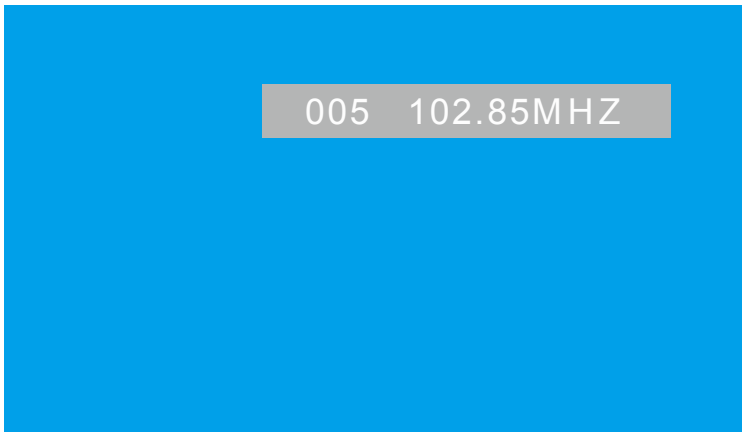
5 FM Setup

Press MODE button to FM .

Press **Left** button to select a band.

Press **Right** button to adjust value.

Press GO TO button to auto research.



6 Game

1) Press **USB/GAME** button on remote controller to switch game mode.

2) Insert the game controller into the plugs.

7 CD RIP

Press **SUBTITLE** button on remote controller to switch CD RIP mode.

CD RIP			
OPTIONS		TRACK	
Speed	Normal	track 01	03:40
Bit rate	128kbps	track 02	04:19
Create ID3	Yes	track 03	03:44
Device	USB1	track 04	05:13
SUMMARY		track 05	03:59
Selected Track	1	track 06	03:51
Selected Time	03:40	track 07	04:20
		▼	
Start	Exit	Select All	Select None

## 8 Product information

Power supply	Input : 100-240V~50/60Hz Output : DC 12V 1.5A
Power consumption	<15W
Operating temperature range	0-45 ° C
Laser wavelength	650 nm
Video output	
Format	PAL,NTSC,AUTO
Output level	1Vp - p $\pm$ 20%
Load impedance	75 $\Omega$
Audio line out	
Audio out (analog audio)	Output level : 2V $\pm$ 10%
Load impedance	10K $\Omega$
Audio distortion + noise	$\cong$ -80 (1KHz)
Frequency response	20Hz-20KHz $\pm$ 1dB
Signal/noise ratio	$\cong$ 80 dB
Channel separation	$\cong$ 80 dB
Dynamic range	$\cong$ 80 dB

## Free Manuals Download Website

<http://myh66.com>

<http://usermanuals.us>

<http://www.somanuals.com>

<http://www.4manuals.cc>

<http://www.manual-lib.com>

<http://www.404manual.com>

<http://www.luxmanual.com>

<http://aubethermostatmanual.com>

Golf course search by state

<http://golfingnear.com>

Email search by domain

<http://emailbydomain.com>

Auto manuals search

<http://auto.somanuals.com>

TV manuals search

<http://tv.somanuals.com>