



## Cordless Scanning System

*SCANTEAM® 2070 Base*

*IMAGETEAM™ 3870/75 Linear Imager*

*SCANTEAM® 5770 Laser*



# Quick Start

---

## *Disclaimer*


Hand Held Products, Inc. ("Hand Held Products") reserves the right to make changes in specifications and other information contained in this document without prior notice, and the reader should in all cases consult Hand Held Products to determine whether any such changes have been made. The information in this publication does not represent a commitment on the part of Hand Held Products.

Hand Held Products shall not be liable for technical or editorial errors or omissions contained herein; nor for incidental or consequential damages resulting from the furnishing, performance, or use of this material.

This document contains proprietary information that is protected by copyright. All rights are reserved. No part of this document may be photocopied, reproduced, or translated into another language without the prior written consent of Hand Held Products.

© 2000-2005 Hand Held Products, Inc. All rights reserved.

Web Address: [www.handheld.com](http://www.handheld.com)

 The CE mark on the product indicates that the system has been tested to and conforms with the provisions noted within the 89/336/EEC Electromagnetic Compatibility Directive and the 73/23/EEC Low Voltage Directive.

For further information please contact:  
Hand Held Products, Inc.  
Nijverheidsweg 9  
5627 BT Eindhoven  
The Netherlands

Hand Held Products shall not be liable for use of our product with equipment (i.e., power supplies, personal computers, etc.) that is not CE marked and does not comply with the Low Voltage Directive

LR89329



### *C.S.A. Statement*

This product must be used with a certified Class 2 Power supply or be powered by a certified SELV (Safety Extra Low Voltage) output.

## *Patents*

Please refer to the product packaging for patent information.



# Table of Contents

## *Chapter 1 - Cordless Quick Start Guide*

Introduction .....	1
About the Charge Pack.....	2
Associating the Cordless Scanner to a Base.....	5
IMAGETEAM 3875 Scanner Features .....	6
Product Service and Repair .....	7
Technical Assistance .....	8
Limited Warranty .....	9
Statement of Agency Compliance .....	11





# Cordless Quick Start Guide

## *Introduction*

The cordless scanning system consists of the SCANTEAM 2070 Base unit and at least one IMAGETEAM 3870 Cordless Linear Imager, IMAGETEAM 3875 Cordless Linear Imager, or SCANTEAM 5770 Cordless Laser Scanner. Up to nine IT3870, IT3875, or ST5770 scanners may be associated with one base. Each cordless scanner has a removable, rechargeable charge pack and provides real time decoding within 100 feet (30 m) radius of the base unit depending on the environment.

The IT3875 is intended to serve cordless applications that require enhanced user/host interaction. The addition of the 16-key keypad and 97 x 32 pixel graphic (16 character by 4 lines of text) LCD backlit display enables the user to enter data and view confirmation of receipt of data. The IT3875 linear imagers ship with two installed factory scripts and a product demo. These scripts keep track of scan history or part number and quantity.

Two PC tools also are available to help generate custom applications: IQ App Loader™ and IQ App Designer™. IQ App Loader is used to compile and load custom script applications created with a text editor. IQ App Designer, an optional PC software tool, automates the creation of scripts and the task of loading a user script application to the system. Using IQ App Designer you may build custom script applications with minimal programming experience.

The cordless system is an economical, durable solution for a wide variety of portable data collection applications. The cordless system features:

- a tough, ergonomic thermoplastic housing for comfort and durability.
- an advanced two-way spread-spectrum radio
- recognition and decoding of the most popular, industry-standard bar code symbologies, including PDF417.
- coverage of up to 31,416 square feet (2,919 square meters) around the base.
- a wide range of interfaces that are compatible with many POS, keyboard wedge, wands and laser emulation, RS-232 terminals, and legacy decoders.
- visible and audible feedback for confirmation of a successful decode.
- rechargeable charge packs designed to operate through a whole work day.

This Quick Start Guide contains information about charging your cordless scanner's charge pack and associating the scanner to the base. For more detailed information on how to set up, operate, and program the cordless system, see the Cordless System Manual.

---

This guide contains the following information:

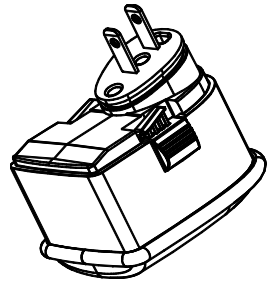
- Charge pack and charging Information
- Associating the cordless scanner to a base
- Customer support information
- Limited warranty and warranty durations

## ***About the Charge Pack***

### **(CLESS/NIMH/S)**

Power is supplied to the cordless scanner by a rechargeable charge pack that snaps onto the bottom of the scanner. Each scanner is shipped with a charge pack.\* (See the charge pack specifications in the Cordless System Manual for storage information.)

\*Order backup or replacement charge pack(s) from your distributor.



### ***North American Charging Information***

The charge pack is designed to plug into any two-prong North American AC power outlet for direct charging. You need no additional equipment, and you can recharge the pack virtually anywhere.

### ***Worldwide Charging Information***

Since the charge pack is rated for both 120/240 V, 50/60Hz applications, it may be charged worldwide. Inexpensive snap-on adapters and custom 2-bay and 6-bay charge strips are available to accommodate a wide variety of electrical outlets internationally.

### ***Charge Pack Recommendations***

- Charge packs are shipped uncharged and need to be conditioned for full capacity and longer life.
- To maintain the maximum charge capacity, charge packs should be allowed to fully discharge prior to charging. It is recommended that you establish a process where a charge pack is used until it is fully discharged and fully charged before its next use.
- Avoid using the charge pack in extreme temperatures.
- Do not disassemble the charge pack. There are no user-serviceable parts in the charge pack.
- Avoid extended overcharging; do not leave the charge pack charging for more than two weeks.
- Periodically, about every 6 months, repeat the charge pack conditioning.

---

## Proper Disposal of the Charge Pack



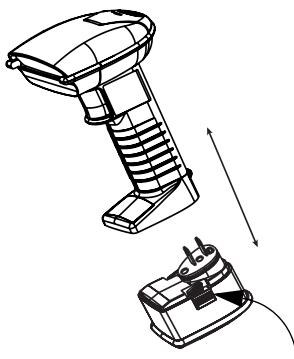
When the charge pack has reached the end of its useful life, the charge pack should be disposed of by a qualified recycler or hazardous materials handler. Do not incinerate the charge pack or dispose of the charge pack with general waste materials. Contact Hand Held Products (see page 7) for recycling or disposal information.

## Charging Your Charge Pack

### (CLESS/NIMH/S)

Charge the charge pack by following the steps below:

1. Detach the charge pack from the bottom of the scanner.
2. Fully charge the charge pack. Plug the charge pack directly into any common 120 V AC outlet in North America. If outside North America, use the custom charge strip or adaptor.
3. The LED on the bottom of the charge pack blinks red temporarily as part of the charge initialization sequence. After initialization, the LED remains solid red while the charge pack is charging. The LED shows green when the charge pack is fully charged and ready to use.



Press Release Buttons  
(2 Places)

*Note:* Recharge Time: 6 hours at any voltage at 20°C (68°F.)

4. After the charge pack is fully charged, attach it to the cordless scanner by pressing the pack firmly (align the prongs on the pack with the mating receptacles) in the base of the scanner until the release buttons click, holding the pack firmly in place. (*When you attach a charged charge pack to the cordless scanner, you will hear a single beep.*)
5. If you have not set up your Cordless System, refer to “Setting Up and Connecting the Cordless System” section in the System Manual for instructions.

When the charge pack needs recharging, the yellow LED on top of the scanner pulses in short, continuous blinks when the trigger is pulled. If the LED stops flashing when the temperature lowers or you do not use the charge pack for some time, you still need to charge the charge pack.

---

## *Conditioning the Charge Pack*

- Charge packs are shipped uncharged and need to be conditioned for full capacity and longer life.
- Charge the charge pack for 12 hours for the first two times to fully condition the pack. (Fully discharge in between each initial charge.)
- Fully discharge the charge pack on a periodic basis by leaving the charge pack attached to the scanner until the scanner no longer operates, about 24 hours. (Make sure all idle modes are disabled for this procedure -- see Charge Pack Conservation Mode description in the System Manual.)

## *Discharging the Charge Pack*

A full discharge should take less than 10 hours. Full discharge is indicated when the trigger is pulled and held for at least 10 seconds and the reader does not illuminate the aiming line or the status LED. Circuitry in the reader prevents an over-discharge.

### **IMAGETEAM 3870/SCANTEAM 5770**

The charge packs naturally discharge through normal use of the reader. Alternately, they may be discharged without user interaction by following these steps:

1. Disassociate the reader from the base unit by scanning the Remove Scanner/Disassociate bar code (found below).
2. Scan the Battery Discharge Mode bar code (found below) to temporarily disable the scanner's power-saving features. The scanner does not operate normally when in this mode. Do not scan a bar code or the scanner will exit the Battery Discharge Mode.
3. To resume normal operation, detach and replace the charge pack, then associate with the base unit by scanning the bar code affixed to the base.



Remove Scanner/Disassociate



Battery Discharge Mode



---

## **IMAGETEAM 3875**

You may automatically discharge the IT3875 charge pack by scanning the following bar code. The scanner remains operational during the discharge; however the status LED flashes like a “heartbeat.”

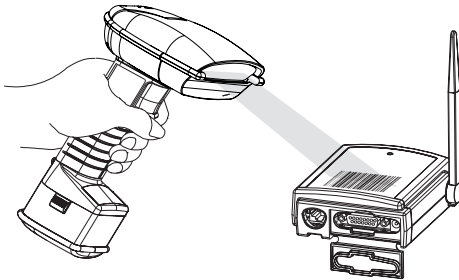


IT3875 Charge Pack Discharge

## ***Associating the Cordless Scanner to a Base***

**Important:** Make sure the cordless scanner's charge pack has been fully charged. See page 3 for charging instructions.

Using the cordless scanner, scan the Association Bar Code (the bar code label on the top of the base) to link that scanner to the base.



Two quick beeps followed by clicking, then a single beep indicates a “good” association. The scanner is in communication with the base. If the scanner clicks for 30 seconds and signals an error (triple beep), it has not associated with the base.

**Note:** If the charge pack is removed from the scanner and replaced after association, the scanner automatically reassociates to the base if the base has power. In this case, the scanner beeps when a charged charge pack is installed, then beeps a second time after full association, typically five to ten seconds later.

**Note:** A scanner always defaults to work group 0 after scanning a base I.D. bar code.

Sample codes have been included in the back of this Quick Start Guide. Scan a bar code to make sure that your scanner is working correctly after you have charged the charge pack and associated the scanner with a base.

---

## *IMAGETEAM 3875 Scanner Features*

The IMAGETEAM 3875 includes a keypad and display. In addition to having all of the functionality of the other cordless scanners offered by Hand Held Products, the IT3875 allows you to key in data and run scripts that are shipped with the scanner. Two PC tools also are available to help generate custom applications: IQ App Loader™ or IQ App Designer™. (IT3875XXX-X2-1 and ST2070-5 only) You may use IQ App Designer to build custom applications with minimal programming experience.

One of the factory installed scripts shows the history of the past ten scans on the display. After you scan a bar code and the information is successfully communicated to the base, the bar code information appears on the top of the display. Data from the most recent scan appears at the top of the display while older data moves down one line at a time. The arrow keys may be used to scroll up and down through the scan history. Once a line is selected, it is highlighted. You may also run a script that allows you to enter a part number and quantity. The part number and quantity prompts can be displayed in six languages.

You may enter alphanumeric characters. The most recently scanned message is stored in its entirety, up to 2710 characters. Older messages are truncated after 63 characters.

The arrow keys can be used to control vertical line scrolling. Use the Function (**FN**) key with the up and down arrows to control horizontal character scrolling. If the selected line is too wide to fit on the display, an arrow appears at the edge of the display indicating additional characters. To scroll horizontally toward the end of the line, press **FN** and then the **UP** arrow. To scroll horizontally toward the beginning of the line, press **FN** and then the **DOWN** arrow. (Press and release **FN**, and then press the arrow key. Pressing and holding the arrow key causes horizontal scrolling to repeat.)



You may also program up to eleven macro strings to save a sequence of keypad strokes. In addition you can control the contrast of the display, turn the backlight on and off, display indicators of the strength of the battery and the radio contact with the base, change the font size used when running script applications, and display the System Setup menu. The System Setup menu lets you run factory scripts, determine to which work group a scanner is associated, display the scanner ID, and determine scanner software revision information.

---

**Note:** To set up and connect the cordless system to the host system, refer to the Cordless System Manual. The System Manual includes all programming selections, more detailed explanations of the cordless system, product specifications, scan maps, connector illustrations and pinouts, maintenance, and troubleshooting information.

## ***Product Service and Repair***

Hand Held Products provides service for all its products through service centers throughout the world. To obtain warranty or non-warranty service, return the unit to Hand Held Products (postage paid) with a copy of the dated purchase record attached. Contact the appropriate location below to obtain a Return Material Authorization number (RMA #) before returning the product.

### **North America**

Hand Held Products Corporate Offices  
Telephone: (800) 782-4263, Option 3  
Fax: (704) 566-6015  
*E-mail: [naservice@handheld.com](mailto:naservice@handheld.com)*

### **America Latina**

Hand Held Products America Latina  
Teléfono: (239) 263-7600  
Fax: (239) 263-9689  
*E-mail: [laservice@handheld.com](mailto:laservice@handheld.com)*

### **Brazil**

Hand Held Products Brazil  
Telephone: +55 (21) 2176-0250  
Fax: +55 (21) 2176-0249  
*E-mail: [suporte@handheld.com](mailto:suporte@handheld.com)*

### **Europe, Middle East, and Africa**

Hand Held Products Europe  
Telephone: + 31 (0) 40 29 01 633  
Fax: + 31 (0) 40 2901631  
*E-mail: [euservice@handheld.com](mailto:euservice@handheld.com)*

### **Asia Pacific**

Hand Held Products Asia/Pacific  
Telephone: +852-2511-3050  
Fax: +852-2511-3557  
*E-mail: [apservice@handheld.com](mailto:apservice@handheld.com)*

---

## Japan

Hand Held Products Japan  
Telephone: +81-3-5770-6312  
Fax: +81-3-5770-6313  
E-mail: [apservice@handheld.com](mailto:apservice@handheld.com)

## *Online Product Service and Repair Assistance*

You can also access product service and repair assistance online at [www.handheld.com](http://www.handheld.com).

## *Technical Assistance*

If you need assistance installing or troubleshooting your scanner, please call your Distributor or the nearest Hand Held Products technical support office:

### **North America/Canada:**

Telephone: (800) 782-4263, option 4 (8 a.m. to 6 p.m. EST)  
Fax number: (315) 685-4960  
E-mail: [natechsupport@handheld.com](mailto:natechsupport@handheld.com)

### **Europe, Middle East, and Africa:**

Telephone-  
European Ofc: Int+31 (0) 40 79 99 393  
U.K. Ofc: Int+44 1925 240055  
E-mail: [eutechsupport@handheld.com](mailto:eutechsupport@handheld.com)

### **Asia Pacific:**

Telephone: Int+852-3188-3485 or 2511-3050  
E-mail: [aptechsupport@handheld.com](mailto:aptechsupport@handheld.com)

### **America Latina:**

Teléfono: (704) 998-3998, opción 8  
E-mail: [latechsupport@handheld.com](mailto:latechsupport@handheld.com)

## *Online Technical Assistance*

You can also access technical assistance online at [www.handheld.com](http://www.handheld.com).

---

## *Limited Warranty*

Hand Held Products, Inc. ("Hand Held Products") warrants its products to be free from defects in materials and workmanship and to conform to Hand Held Products' published specifications applicable to the products purchased at the time of shipment. This warranty does not cover any Hand Held Products product which is (i) improperly installed or used; (ii) damaged by accident or negligence, including failure to follow the proper maintenance, service, and cleaning schedule; or (iii) damaged as a result of (A) modification or alteration by the purchaser or other party, (B) excessive voltage or current supplied to or drawn from the interface connections, (C) static electricity or electro-static discharge, (D) operation under conditions beyond the specified operating parameters, or (E) repair or service of the product by anyone other than Hand Held Products or its authorized representatives.

This warranty shall extend from the time of shipment for the duration published by Hand Held Products for the product at the time of purchase ("Warranty Period"). Any defective product must be returned (at purchaser's expense) during the Warranty Period to Hand Held Products' factory or authorized service center for inspection. No product will be accepted by Hand Held Products without a Return Materials Authorization, which may be obtained by contacting Hand Held Products. In the event that the product is returned to Hand Held Products or its authorized service center within the Warranty Period and Hand Held Products determines to its satisfaction that the product is defective due to defects in materials or workmanship, Hand Held Products, at its sole option, will either repair or replace the product without charge, except for return shipping to Hand Held Products.

EXCEPT AS MAY BE OTHERWISE PROVIDED BY APPLICABLE LAW, THE FOREGOING WARRANTY IS IN LIEU OF ALL OTHER COVENANTS OR WARRANTIES, EITHER EXPRESSED OR IMPLIED, ORAL OR WRITTEN, INCLUDING, WITHOUT LIMITATION, ANY IMPLIED WARRANTIES OF MERCHANTABILITY OR FITNESS FOR A PARTICULAR PURPOSE.

HAND HELD PRODUCTS' RESPONSIBILITY AND PURCHASER'S EXCLUSIVE REMEDY UNDER THIS WARRANTY IS LIMITED TO THE REPAIR OR REPLACEMENT OF THE DEFECTIVE PRODUCT. IN NO EVENT SHALL HAND HELD PRODUCTS BE LIABLE FOR INDIRECT, INCIDENTAL, OR CONSEQUENTIAL DAMAGES, AND, IN NO EVENT, SHALL ANY LIABILITY OF HAND HELD PRODUCTS ARISING IN CONNECTION WITH ANY PRODUCT SOLD HEREUNDER (WHETHER SUCH LIABILITY ARISES FROM A CLAIM BASED ON CONTRACT, WARRANTY, TORT, OR OTHERWISE) EXCEED THE ACTUAL AMOUNT PAID TO HAND HELD PRODUCTS FOR THE PRODUCT. THESE LIMITATIONS ON LIABILITY SHALL REMAIN IN FULL FORCE AND EFFECT EVEN WHEN HAND HELD PRODUCTS MAY HAVE BEEN ADVISED OF THE POSSIBILITY OF SUCH INJURIES, LOSSES, OR DAMAGES. SOME STATES, PROVINCES, OR COUNTRIES DO NOT ALLOW THE EXCLUSION OR LIMITATIONS OF INCIDENTAL OR CONSEQUENTIAL DAMAGES, SO THE ABOVE LIMITATION OR EXCLUSION MAY NOT APPLY TO YOU.

---

All provisions of this Limited Warranty are separate and severable, which means that if any provision is held invalid and unenforceable, such determination shall not affect the validity of enforceability of the other provisions hereof. Use of any peripherals not manufactured/sold by Hand Held Products voids the warranty. This includes but is not limited to: cables, power supplies, cradles, and docking stations. Hand Held Products, Inc. extends these warranties only to the first end-users of the products. These warranties are nontransferable.

***Limited Warranty Durations***

<b>IMAGETEAM 3870/3875</b>	<b>SCANTEAM 5770</b>	<b>SCANTEAM 2070</b>	<b>CLESS/NIMH/S Charge Pack</b>
3 Years	3 Years	3 Years	1 Year

---

## *Statement of Agency Compliance*

This device complies with part 15 of the FCC Rules. Operation is subject to the following two conditions: (1) this device may not cause harmful interference, and (2) this device must accept any interference received, including interference that may cause undesired operation.

### *FCC Class B Compliance Statement*

This equipment has been tested and found to comply with the limits for a Class B digital device pursuant to part 15 of the FCC Rules. These limits are designed to provide reasonable protection against harmful interference in a residential installation. This equipment generates, uses, and can radiate radio frequency energy and, if not installed and used in accordance with the instructions, may cause harmful interference to radio communications. However, there is no guarantee that interference will not occur in a particular installation. If this equipment does cause harmful interference to radio or television reception, which can be determined by turning the equipment off and on, the user is encouraged to try to correct the interference by one or more of the following measures:

- Reorient or relocate the receiving antenna.
- Increase the separation between the equipment and receiver.
- Connect the equipment into an outlet on a circuit different from that to which the receiver is connected.
- Consult the dealer or an experienced radio or television technician for help.

**Caution: Any changes or modifications made to this device that are not expressly approved by Hand Held Products, Inc. may void the user's authority to operate the equipment.**

*Note:* To maintain compliance with FCC Rules and Regulations, cables connected to this device must be shielded cables, in which the cable shield wire(s) have been grounded (tied) to the connector shell.

### *Canadian Notice*

This equipment does not exceed the Class B limits for radio noise emissions as described in the Radio Interference Regulations of the Canadian Department of Communications.

Le présent appareil numérique n'émet pas de bruits radioélectriques dépassant les limites applicables aux appareils numériques de la classe B prescrites dans le Règlement sur le brouillage radioélectrique édicté par le ministère des Communications du Canada.

## R&TTE Directive

The IMAGETEAM 3870, IMAGETEAM 3875, SCANTEAM 5770, and SCANTEAM 2070 are in conformity with all essential requirements of the R&TTE Directive (1999/5/EC). This equipment has been assessed to the following standards: ETS 300 328 ETS 300 826 (November, 1997); EN 60950: 1992, Incl Amdt 1-4, 11.

This product is marked with  signifying conformity with Class II product requirements specified in the R&TTE Directive.



The equipment is intended for use throughout the European Community, but its authorization for use in France is restricted as follows: PAN European Frequency Range: 2.402 - 2.480 GHz; Restricted Frequency Range for use in France: 2.448 - 2.480 GHz.

### CDRH Laser Safety Statement - ST5770 only

This product complies with US DHHS 21 CFR J Part 1040.10. This product is a CLASS II LASER PRODUCT with a maximum output of 1.0 mW at 670 nanometers and continuous wave.

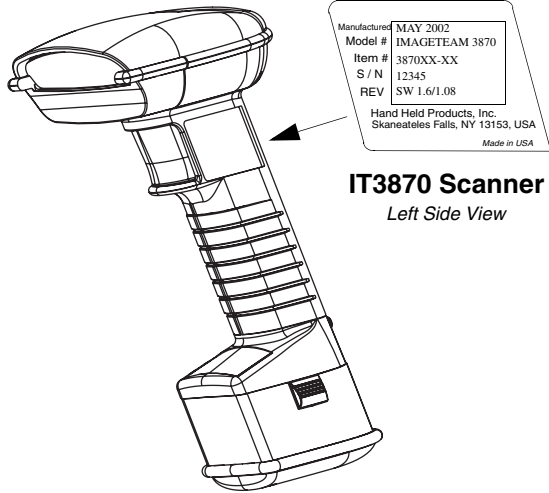
### EN 60825-1 Laser Safety Statement - ST5770 only

This product is classified as a CLASS 2 LASER PRODUCT with a maximum output of 9.0 mW at 670 nanometers per EN 60825-1:1994, Issue 2, June 1997.

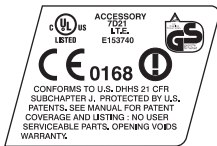
<i>Parameter</i>	<i>Specification</i>
Electromagnetic Emissions/Immunity U.S.A. Canada Europe	FCC Part 15, Class B - Verified SOR 88/475, Class B - Verified EN 55022 (CISPR22) Class B; ETS 300 826 Type Certified; EMC 89/336/EEC; EN55024
Safety U.S.A. Canada Europe  Australia  Mexico (does not apply to IT3875)	UL Listed, C22.2 No. 950/UL 1950 3548cUL Listed TÜV Rheinland GS Licensed, EN 60950 (IEC 950) (Scanner and Base only - not on battery)  conforms to AS/NZS Standard  N10410   Certified
RF Approvals U.S.A. Canada Europe Australia  Mexico	FCC Part 15.249 Certified RSS 210 Certified ETS 300 328 Certified C-TICK IT3870 - SCT RCPWEIM01-348, ST2070 - RCPWESC01-349



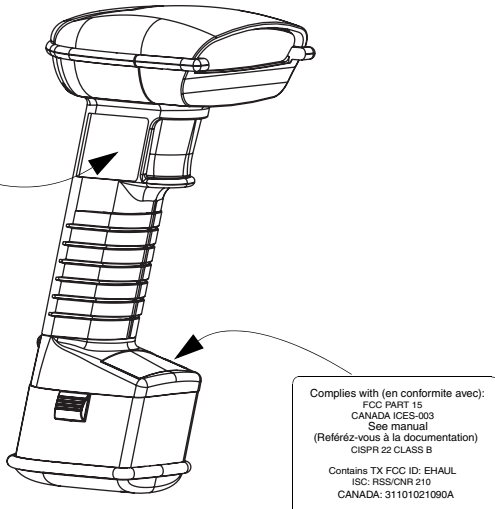
## Enlarged Views of Regulatory Labels - IT3870



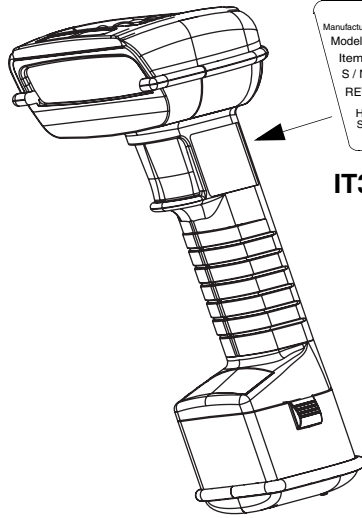
**IT3870 Scanner**  
 Left Side View



**IT3870 Scanner**  
 Right Side View



## Enlarged Views of Regulatory Labels - IT3875



Manufacture:	AUGUST 2002
Model #	IMAGETEAM 3875
Item #	3875XX-XX
S / N	12345
REV	SW 1.6/L.08

Hand Held Products, Inc.  
Scanesteeles Falls, NY13153, USA  
Made in USA

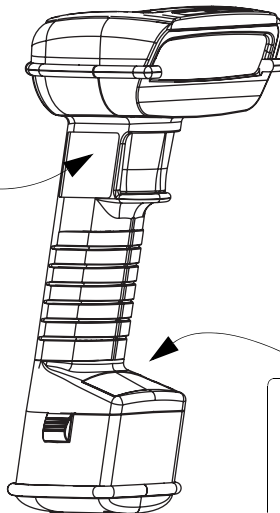
**IT3875 Scanner**  
Left Side View

ACCESSORY  
7021  
UL US  
E163740  
E163740

CE 0168

CONFORMS TO U.S., DHS 21 CFR  
SUBCHAPTER J, PROTECTED BY U.S.  
PATENTS. SEE MANUAL FOR PATENT  
COVERAGE AND LISTING. NO USER  
SERVICEABLE PARTS, OPENING VOID'S  
WARRANTY.

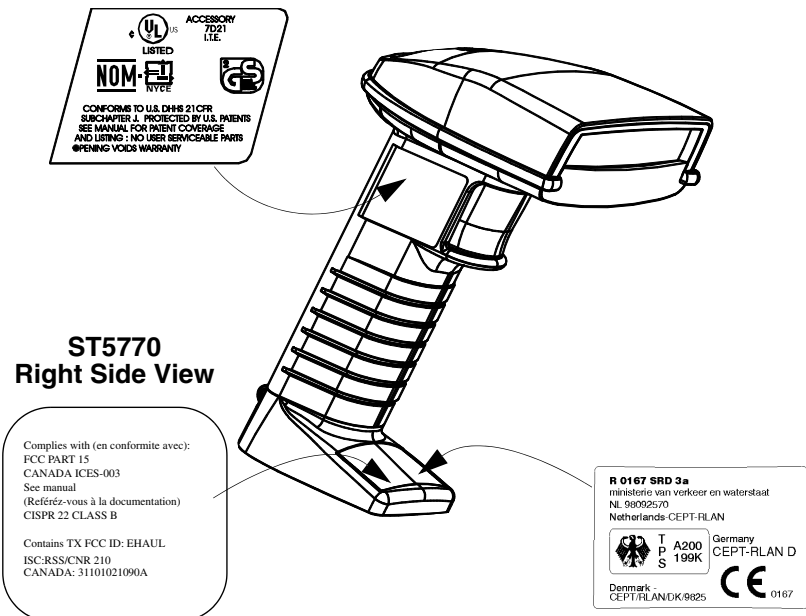
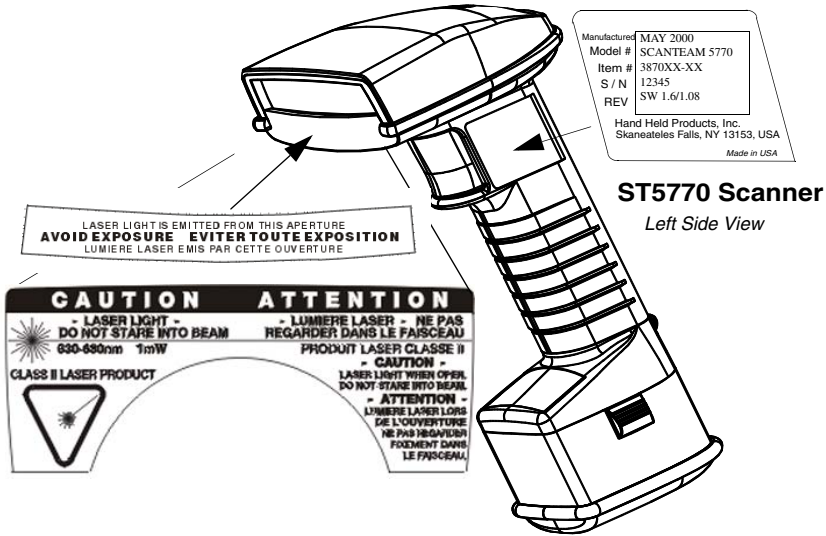
**IT3875 Scanner**  
Right Side View



Complies with (en conforme avec):  
FCC PART 15  
CANADA ICES-003  
See manual  
(Référez-vous à la documentation)  
CISPR 22 CLASS B

Contains TX FCC ID: EHAUL  
ISC: R53/CNR 210  
CANADA: 31101021090A

# Enlarged Views of Regulatory Labels - ST5770



## Enlarged Views of Regulatory Labels - ST2070

### ST2070 Base - Bottom

MADE IN U.S.A.

 **UL**  
LISTED  
729T  
L7.E.

 **NOM**  
NVEZ

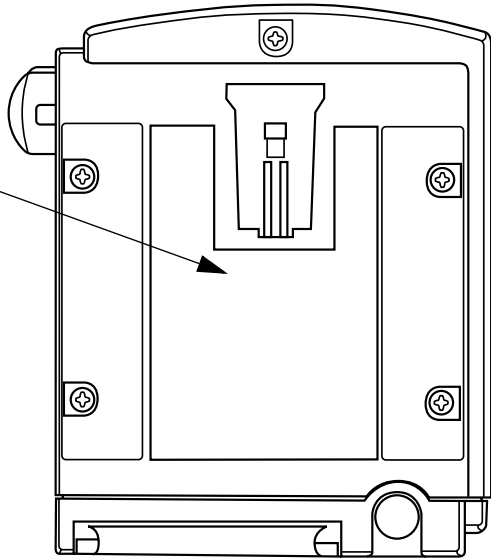
Hand Held Products, Inc.  
Skaneateles Falls, N.Y. 13153-0187  
www.handheld.com

400mA  
4.5 - 14.5V

This device complies with Part 15 of the FCC Rules and with RSS-210 of Industry Canada. Operation is subjected to the following two conditions: (1) This device may not cause harmful interference, and (2) This device must accept any interference received, including interference that can cause undesired operation.  
Canada ICES-003  
See Manual (Réferez-vous à la documentation)  
CISPR 22 CLASS B

Contains TX FCC ID: EHAUL  
ISC: RSS/CNR 210  
CANADA: 31101021090A

MANUFACTURED: August 2001  
MODEL # SCANTEAM 2070  
S/NF: U-35-00134  
ITEM #: 2070-1A  
REV: 3.80/1.08



---

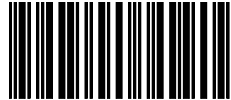
# Sample Symbols

**UPC A**



0 123456 7890

**Interleaved 2 of 5**



1234567890

**Code 128**



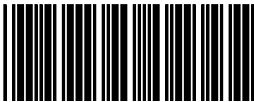
Code 128

**EAN 13**



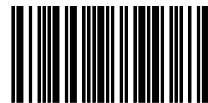
9 780330 290951

**Code 39**



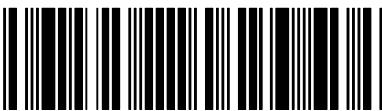
BC321

**Codabar**



A13579B

**Code 11 with 2 Check Characters**



0123456789



---

# Sample Symbols

**PDF417**



*PDF417 Test Message*

**MicroPDF417**



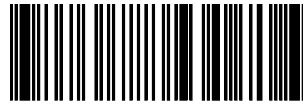
*MicroPDF417 Test Message*

**Matrix 2 of 5**



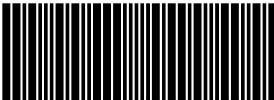
*6543210*

**Code 93**



*123456-9\$*

**Code 2 of 5**



*123456*

**RSS-14**



*(01)00123456789012*

**EAN•UCC Composite  
Symbology with RSS Limited**



*(01)12345678901231(10)123456789(11)001205(3202)001234*

**Hand Held Products, Inc.**

700 Visions Drive

P.O. Box 208

Skaneateles Falls, NY 13153-0208



## Free Manuals Download Website

<http://myh66.com>

<http://usermanuals.us>

<http://www.somanuals.com>

<http://www.4manuals.cc>

<http://www.manual-lib.com>

<http://www.404manual.com>

<http://www.luxmanual.com>

<http://aubethermostatmanual.com>

Golf course search by state

<http://golfingnear.com>

Email search by domain

<http://emailbydomain.com>

Auto manuals search

<http://auto.somanuals.com>

TV manuals search

<http://tv.somanuals.com>