

Page1-2 stands for
TCO'99 model only.
Please see back label
for model distinction.



Congratulations!

You have just purchased a TCO'99 approved and labeled product! Your choice has provided you with a product developed for professional use. Your purchase has also contributed to reducing the burden on the environment and also to the further development of environmentally adapted electronics products.

Why do we have environmentally labeled computers?

In many countries, environmental labeling has become an established method for encouraging the adaptation of goods and services to the environment. The main problem, as far as computers and other electronics equipment are concerned, is that environmentally harmful substances are used both in the products and during their manufacture. Since it is not so far possible to satisfactorily recycle the majority of electronics equipment, most of these potentially damaging substances sooner or later enter nature. There are also other characteristics of a computer, such as energy consumption levels, that are important from the viewpoints of both the work (internal) and natural (external) environments. Since all methods of electricity generation have a negative effect on the environment (e.g. acidic and climate-influencing emissions, radioactive waste), it is vital to save energy. Electronics equipment in offices is often left running continuously and thereby consumes a lot of energy.

What does labeling involve?

This product meets the requirements for the TCO'99 scheme, which provides for international and environmental labeling of personal computers. The labeling scheme is developed as a joint effort by the TCO (The

Swedish Confederation of Professional Employees), by Svenska Naturskyddsforeningen (The Swedish Society for Nature Conservation), and by Statens Energimyndighet (The Swedish National Energy Administration).

Approval requirements cover a wide range of issues: environment, ergonomics, usability, emission of electric and magnetic fields, energy consumption and electrical and fire safety.

The environmental demands impose restrictions on the presence and use of heavy metals, brominated and chlorinated flame retardants, CFCs (freons) and chlorinated solvents, among other things. The product must be prepared for recycling and the manufacturer is obliged to have an environmental policy which must be adhered to in each country where the company implements its operational policy.

The energy requirements include a demand that the computer and/or display, after a certain period of inactivity, shall reduce its power consumption to a lower level in one or more stages. The length of time to reactivate the computer shall be reasonable for the user.

Labeled products must meet strict environmental demands, for example, in respect of the reduction of electric and magnetic fields, physical and visual ergonomics and good usability.

On the Back page of this folder, you will find a brief summary of the environmental requirements met by this product. The complete environmental criteria document may be ordered from:

TCO Development

SE-114 94 Stockholm, Sweden

Fax: +46 8 782 92 07

Email (Internet): development@tco.se

Current information regarding TCO'99 approved and labeled products may also be obtained via the Internet, using the address:

<http://www.tco-info.com/>

Environmental requirements

Flame retardants

Flame retardants are present in printed circuit boards, cables, wires, casings and housings. Their purpose is to prevent, or at least to delay the spread of fire. Up to 30% of the plastic in a computer casing can consist of flame retardant substances. Most flame retardants contain bromine or chloride, and those flame retardants are chemically related to another group of environmental toxins, PCBs. Both the flame retardants containing bromine or chloride and the PCBs are suspected of giving rise to severe health effects, including reproductive damage in fish-eating birds and mammals, due to the bio-accumulative* processes. Flame retardants have been found in human blood and researchers fear that disturbances in foetus development may occur.

The relevant TCO'99 demand requires that plastic components weighing more than 25 grams must not contain flame retardants with organically bound bromine or chlorine. Flame retardants are allowed in the printed circuit boards since no substitutes are available.

Cadmium

Cadmium is present in rechargeable batteries and in the color-generating layers of certain computer displays. Cadmium damages the nervous system and is toxic in high doses. The relevant TCO'99 requirement states that batteries, the color-generating layers of display screens and the electrical or electronics components must not contain any cadmium.

Mercury

Mercury is sometimes found in batteries, relays and switches. It damages the nervous system and is toxic in high doses. The relevant TCO'99 requirement states that batteries may not contain any mercury. It also demands that mercury is not present in any of the electrical or electronics components associated with the labeled unit.

* *Bio-accumulative is defined as substances which accumulate within living organisms*

CFCs (freons)

The relevant TCO'99 requirement states that neither CFCs nor HCFCs may be used during the manufacture and assembly of the product. CFCs (freons) are sometimes used for washing printed circuit boards. CFCs break down ozone and thereby damage the ozone layer in the stratosphere, causing increased reception on earth of ultraviolet light with e.g. increased risks of skin cancer (malignant melanoma) as a consequence.

Lead**

Lead can be found in picture tubes, display screens, solders and capacitors. Lead damages the nervous system and in higher doses, causes lead poisoning. The relevant TCO'99 requirement permits the inclusion of lead since no replacement has yet been developed.

** *Lead, Cadmium and Mercury are heavy metals which are Bio-accumulative.*

Operation Instructions

Thank you for purchasing this monitor, a high-resolution multi-scan color monitor.

Please read this guide thoroughly before installation.

FCC RADIO FREQUENCY INTERFERENCE STATEMENT WARNING: (FOR FCC CERTIFIED MODELS)

This monitor has been tested and found compliant with the limits for a Class B digital device, pursuant to part 15 of the FCC Rules. These limits are designed to provide proper protection against harmful interference to a residential installation. This monitor generates, uses, and can radiate radio frequency energy. Harmful interference to radio communication may be led as a result if it's not properly installed and used. However, there is no guarantee that interference will not occur in a particular installation. If this monitor does cause serious interference to radio or television reception, resetting the monitor may determine it. Moreover, users are encouraged to correct interference by doing one or more of the following:

- Reorient or relocate the receiving antenna.
- Move the monitor and the receiver further away from each other.
- Connect the monitor into an outlet on a circuit different from that to which the receiver is connected.
- Consult your local dealer or an qualified technician.

FCC Warning:

To assure a continued FCC compliance, a user must use a grounded power supply cord and the provided shielded video interface cable with bonded ferrite cores. Also, any unauthorized changes or modifications to this monitor would void the user's authority to operate this device.

Note: If necessary, shielded interface cables and AC power cord must be used to meet the emission level limits.

Content

Safety Precautions.....	1
First Setup	2
Quick Installation.....	2
Front View of the Product	3
Rear View of the Product	3
Using On Screen Display (OSD) Functions	4
Supporting Timing Modes	7
Technical Information.....	8
Care and Maintenance.....	9
Troubleshooting	9

Safety Precautions

This monitor is manufactured and tested on a ground principle that a user's safety comes first. However, improper use or installation may result danger to the monitor as well as to the user. Carefully go over the following WARNINGS before installation and keep this guide handy.

WARNINGS:

- ◆ This monitor should be operated only at the correct power sources indicated on the label on the rear end of the monitor. If you're unsure of the power supply in your residence, consult your local dealer or power company.
- ◆ Do not try to repair the monitor yourself as it contains no user-serviceable parts. The monitor should only be repaired by a qualified technician.
- ◆ Do not remove the monitor cabinet. There is high-voltage parts inside that may cause electric shock to human bodies, even when the power cord is disconnected .
- ◆ Stop using the monitor if the cabinet is damaged. Have it checked by a service technician.
- ◆ Put your monitor only in a clean, dry environment. Unplug the monitor immediately if gets wet and consult your service technician.
- ◆ Always unplug the monitor before cleaning it. Clean the cabinet with a clean, dry cloth. Apply non-ammonia based cleaner onto the cloth, not directly onto the glass screen.
- ◆ Keep the monitor away from magnetic objects, motors, TV sets, and transformer.
- ◆ Do not place heavy objects on the cable or power cord.
- ◆ For PLUG CABLE EQUIPMENT, the Socket-outlet shall be installed near the equipment and shall be easily accessible.

First Setup

Congratulation for purchasing this monitor of high performance!

This monitor comes with the following accessories :

- Power cable.
- Audio cable.
- User guide.

Quick Installation

1. Connect video cable (D-Sub cable)

Make sure both monitor and computer are powered OFF. Connect the video cable (D-Sub cable) to the computer.

2. Connect power cord

Connect the power cord to a properly grounded AC outlet, then to the monitor.

3. Power-ON computer and monitor

Power-ON the computer, then Power-ON the monitor.

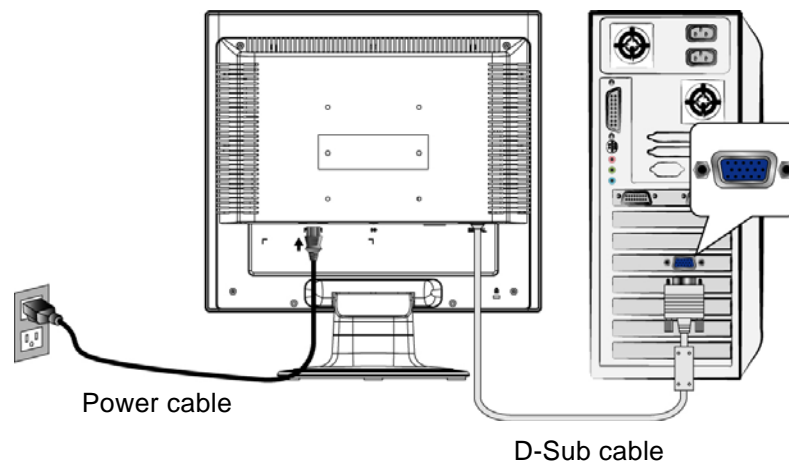
4. Windows users: Setting the Timing Mode (Resolution and Refresh Rate)

Example: 1280 x 1024 @ 60 Hz

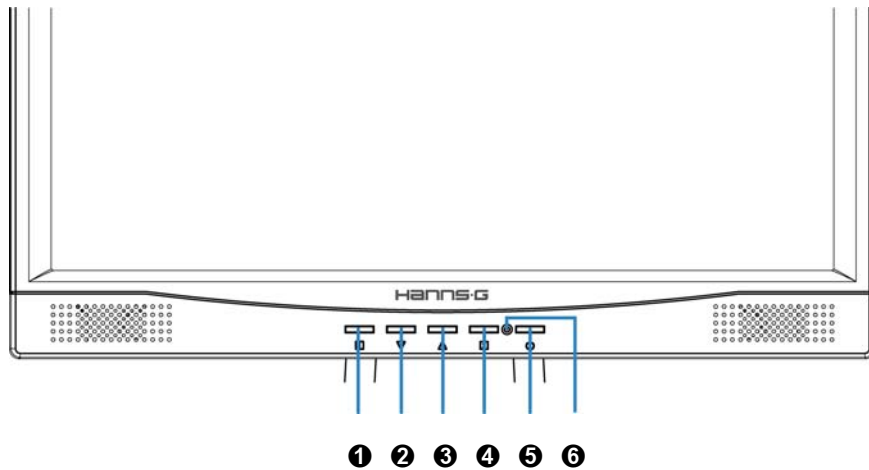
Resolution Right-click on the Windows desktop > Properties > Settings > "Desktop Area". Set the resolution.

Refresh Rate (vertical frequency) See your graphic card's user guide for instructions.

Example:

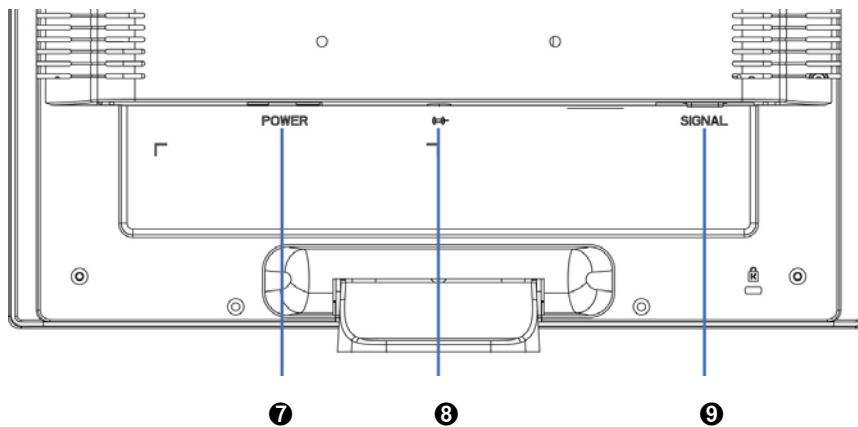


Front View of the Product



- | | |
|------------------------|---------------------|
| ❶ OSD TURN ON/OFF | ❷ CONFIRM SELECTION |
| ❸ SCROLL DOWN/DECREASE | ❹ POWER ON/OFF |
| ❺ SCROLL UP/INCREASE | ❻ LED INDICATOR |

Rear View of the Product



- | | |
|---------------|----------------------------|
| ❷ POWER INPUT | ❹ VGA CABLE (D-SUB 15 PIN) |
| ❸ AUDIO INPUT | |

Using On Screen Display (OSD) Functions

1	Display main menu.
	Exit from OSD menu.
2	Auto adjust the image when not in main menu.
	Confirm the selection.
▲ or ▼	Select the desired item when in OSD menu.
	When not in OSD menu, it is to immediately activate Contrast/ Brightness. It should be change to Contrast/ Brightness by pressing button 2.
▼ + ▲	Recall both of Contrast and Brightness.
1 + ▼	Power Lock (when not in OSD menu)
1 + ▲	OSD Lock (when not in OSD menu)

Main Menu



Short Cuts Function from the button(s)



Auto Adjust : To auto adjust Horizontal Position, Vertical Position, Phase (Fine Tune) and Clock (H. Size) of the screen.



Contrast : To adjust the foreground white level of screen image.
▲ : increase contrast, ▼ : decrease contrast.



Brightness : To adjust the luminance of the video.
▲ : increase brightness, ▼ : decrease brightness.



Color Adjust : To select the color for improving brightness and color saturation between 9300K, 6500K, 5400K, and User Color.

9300K : Adds blue to screen image for cooler white.

6500K : Adds red to screen image for warmer white and richer red.

5400K : Adds green to screen image for a darker color.

User Color : Individual adjustments for red (R), green (G), blue (B).

1. Press button  to select the desired color.

2. Press ▼ or ▲ button to adjust selected color.



Information : To display the information, regarding the current input signal coming from the graphic card in your computer.

Note: See your graphic card user guide for more information about changing the resolution and refresh rate.



Image Adjust : To manually adjust the Horizontal/ Vertical position, H. Size, Fine Tune and Sharpness.



H./V. Position : To adjust the horizontal and vertical position of the video.

H. Position : ▲ : move screen to the right, ▼ : move screen to the left.

V. Position : ▲ : move screen up, ▼ : move screen down.



H. Size : To adjust the width of the screen image.

▼ : decrease the width of screen image, ▲ : increase the width of screen image.



Fine Tune : To adjust the delay time of data and clock.

Press ▼ or ▲ to adjust to your preference.



Sharpness : To adjust the clarity of a non-SXGA (1280x1024) signal with ▼ or ▲ button.



Setup Menu : To set up Language Select, Resolution Notice, OSD Position, and OSD Time Out.




Language Select : To allow users to choose from available languages.



Resolution Notice : Resolution Notice is to remind you set the best quality for the image.

- Choose “Enable” : Every 30 seconds, it will show a window “ For best picture quality change resolution to 1280 x 1024” to remind you set the best quality for the image.
- Choose “Disable” : It will not show a window to remind you set the best quality for the image if the resolution is lower than 1280 x 1024.



OSD Position : Press  button to select between horizontal and vertical OSD Position adjustment.

Horizontal OSD Position : To horizontally adjust the OSD position.

▲ : move OSD to the right, ▼ : move OSD to the left.


Vertical OSD Position : To vertically adjust the OSD position.

▲ : move OSD up, ▼ : move OSD down.



OSD Time Out : To automatically turn off On Screen Display(OSD)after a preset period of time.



Memory Recall : To recall factory settings for Video & Audio controls. Press button  to select the Memory Recall menu option.



Audio Menu : To adjust the audio functions.

Volume : To adjust the volume of speaker output.

Mute : To turn the Mute ON/OFF.

Supporting Timing Modes

VESA	720 x 400 @ 70Hz
VESA	640 x 480 @ 60Hz
MAC	640 x 480 @ 67Hz
VESA	640 x 480 @ 75Hz
VESA	800 x 600 @ 56Hz
VESA	800 x 600 @ 60Hz
VESA	800 x 600 @ 72Hz
VESA	800 x 600 @ 75Hz
MAC	832 x 624 @ 75Hz
VESA	1024 x 768 @ 60Hz
VESA	1024 x 768 @ 70Hz
VESA	1024 x 768 @ 75Hz
VESA	1280 x 1024 @ 60Hz
VESA	1280 x 1024 @ 75Hz

Warning : Do not set the graphic card in your computer to exceed these maximum refresh rates. Doing so may result in permanent damage to your monitor.

Technical Information

Technical Specification

LCD Panel	17.0" TFT
Power Management	Energy Star compliant VESA DPMS compatible < 2 W
Displayable Resolution	SXGA 1280 x 1024 max. Vertical Frequency 75Hz max.
Pixel Dimension	0.264 x 0.264 mm
LCD Display Color	16.2M (6 bits + FRC/ color)
Viewing Angle	140/130, CR > 10
Tilt	0°~20°
Contrast Ratio	450 : 1 (typical)
Brightness	270 cd/m2 (typical)
Response Time	12 ms. (typical)
Active Display Area	337.9 mm x 270.3 mm
Temperature	Operating: 0°C ~ +40°C Storage: -20°C ~ + 60°C
Compliance	CE, FCC-B, Energy Star, BSMI
Power	Input Voltage AC100-240 V
Speaker	1W x 2

Care and Maintenance

Care

- Avoid exposing your monitor directly to sunlight or other heat source. Place your monitor away from the sun to reduce glare.
- Put your monitor in a well ventilated area.
- Do not place any heavy things on top of your monitor.
- Make certain your monitor is installed in a clean and moisture-free area.
- Keep your monitor away from magnets, motors, transformers, speakers, and TV sets.

Note

- Move the LCD out of the package and take off the plastic bag and Polystyrene Foam.
- Pull the base from Parallel versus Panel to Vertical.
- Adjust the Panel within 0 degree leaning forward and 20 degree leaning backward. You must bend harder to exceed 20 degree backward but this range is for packing the unit to a small size for storage only.

Safety Tips

- If smoke, abnormal noise or odor came out from your monitor, caution you should remove the power cord immediately and call your service center.
- Never remove the rear cover of your monitor cabinet. The display unit inside contains high-voltage parts and may cause electric shock to human bodies.
- Never try to repair your monitor yourself. Always call your service center or a qualified technician to fix it.

Troubleshooting

No power

- Make sure A/C power cord is securely connected to the power adapter and the power supply is firmly connected to the monitor.
- Plug another electrical device into the power outlet to verify that the outlet is supplying proper voltage.
- Make sure all signal cables are installed.

Power on but no screen image

- Make sure the video cable supplied with the monitor is tightly secured to the video output port on back of the computer. If not, tightly secure it.
- Adjust brightness.

Wrong or abnormal colors

- If any colors (red, green, blue) are missing, check the video cable to make sure it is securely connected. Loose or broken pins in the cable connector could cause an improper connection.
- Connect the monitor to another computer.

Free Manuals Download Website

<http://myh66.com>

<http://usermanuals.us>

<http://www.somanuals.com>

<http://www.4manuals.cc>

<http://www.manual-lib.com>

<http://www.404manual.com>

<http://www.luxmanual.com>

<http://aubethermostatmanual.com>

Golf course search by state

<http://golfingnear.com>

Email search by domain

<http://emailbydomain.com>

Auto manuals search

<http://auto.somanuals.com>

TV manuals search

<http://tv.somanuals.com>