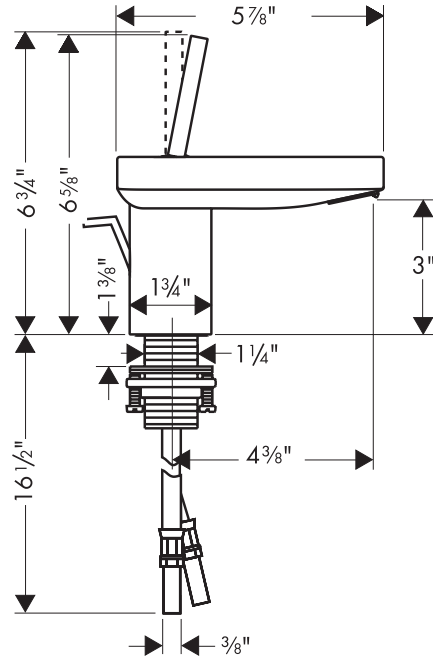
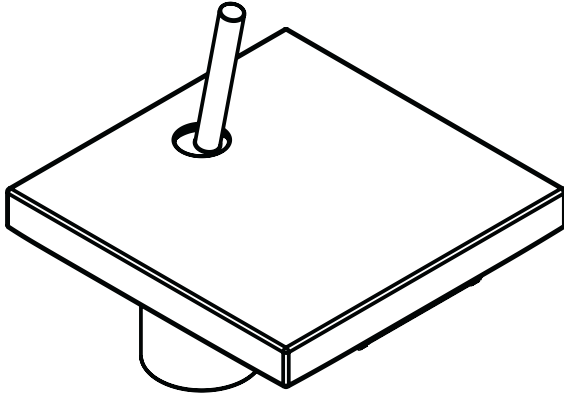


Starck X Lavatory Faucet

10070001

Available in Chrome



Product Specification

Recommended hole size	1 3/8"
Maximum depth of mounting surface	1 3/8"
Flow rate	2.2 gpm
Maximum water pressure	145 psi
Recommended water pressure	14.5 - 75 psi
Recommended hot water temperature	120°F - 140°F*

Includes pop-up drain.

The supply hoses with this faucet require supply stops with 3/8" compression fittings (not included)

*Many municipalities require that the water heater be set no higher than 120°. Please know and follow all applicable plumbing codes when setting the temperature on the water heater.

Free Manuals Download Website

<http://myh66.com>

<http://usermanuals.us>

<http://www.somanuals.com>

<http://www.4manuals.cc>

<http://www.manual-lib.com>

<http://www.404manual.com>

<http://www.luxmanual.com>

<http://aubethermostatmanual.com>

Golf course search by state

<http://golfingnear.com>

Email search by domain

<http://emailbydomain.com>

Auto manuals search

<http://auto.somanuals.com>

TV manuals search

<http://tv.somanuals.com>