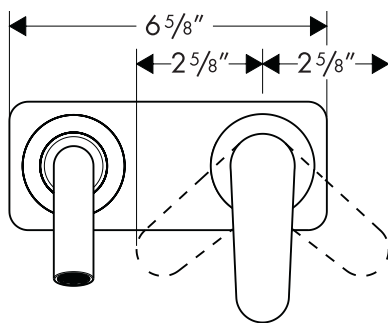
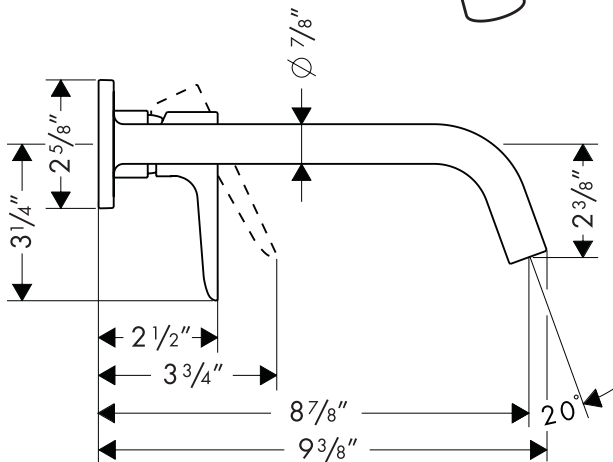
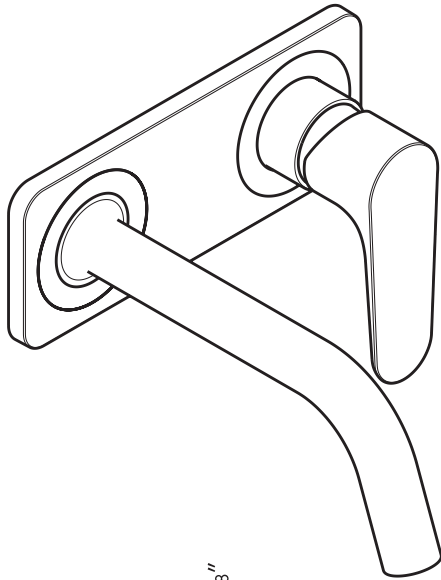


Axor Citterio M Wall-Mount Single Control Lavatory Faucet

34115XX1



The measurements shown are for reference only.

Products and specifications shown are subject to change without notice.

Specification sheet revised 6/2008

Product Features

- 9" spout
- With plate
- Ceramic cartridge operation
- 2.2 gpm

Code Compliance

This unit meets or exceeds the following:

- ADA

Available Finishes

Chrome

34115001

Brushed Nickel

34115821

Required Accessories

Rough

34111180

Optional Accessories

Grid drain

06400XX0

AXOR[®]
hansgrohe

Free Manuals Download Website

<http://myh66.com>

<http://usermanuals.us>

<http://www.somanuals.com>

<http://www.4manuals.cc>

<http://www.manual-lib.com>

<http://www.404manual.com>

<http://www.luxmanual.com>

<http://aubethermostatmanual.com>

Golf course search by state

<http://golfingnear.com>

Email search by domain

<http://emailbydomain.com>

Auto manuals search

<http://auto.somanuals.com>

TV manuals search

<http://tv.somanuals.com>