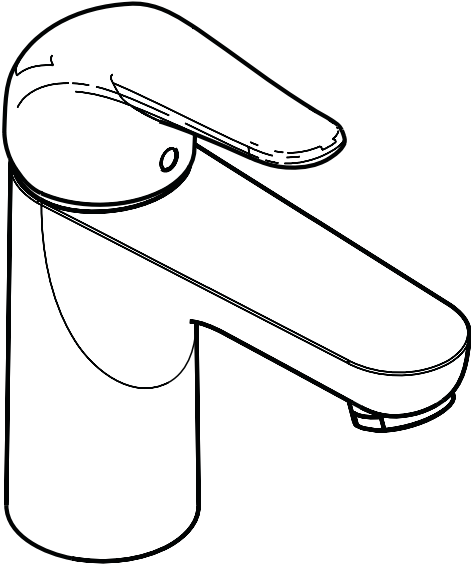


**ECO
RIGHT**



Product Features

- Single hole installation
- Single control with ceramic cartridge
- Flexible supply hoses
- Includes pop-up drain
- 1.5 gpm max.

Code Compliance

This unit meets or exceeds the following:

- ADA compliant

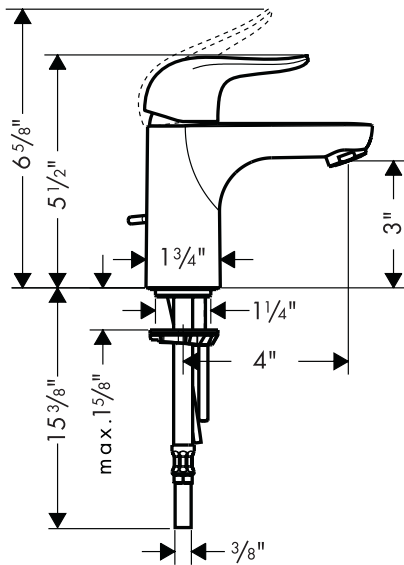
Available Finishes

Chrome

04193000

Brushed Nickel

04193820



The measurements shown are for reference only.

Products and specifications shown are subject to change without notice.

Specification sheet revised 1/2009

hansgrohe

Free Manuals Download Website

<http://myh66.com>

<http://usermanuals.us>

<http://www.somanuals.com>

<http://www.4manuals.cc>

<http://www.manual-lib.com>

<http://www.404manual.com>

<http://www.luxmanual.com>

<http://aubethermostatmanual.com>

Golf course search by state

<http://golfingnear.com>

Email search by domain

<http://emailbydomain.com>

Auto manuals search

<http://auto.somanuals.com>

TV manuals search

<http://tv.somanuals.com>