

## Product Features

- Solid brass
- Single-hole mount
- Single handle with M2 ceramic cartridge
- Swivel bidet aerator
- 2.2 gpm
- Includes pop-up drain

## Code Compliance

This unit meets or exceeds the following:

- ASME A112.18.1
- CSA B125.1
- Listed by IAPMO
- Approved for use in Massachusetts
- ADA compliant

## Available Finishes

Chrome

31721001

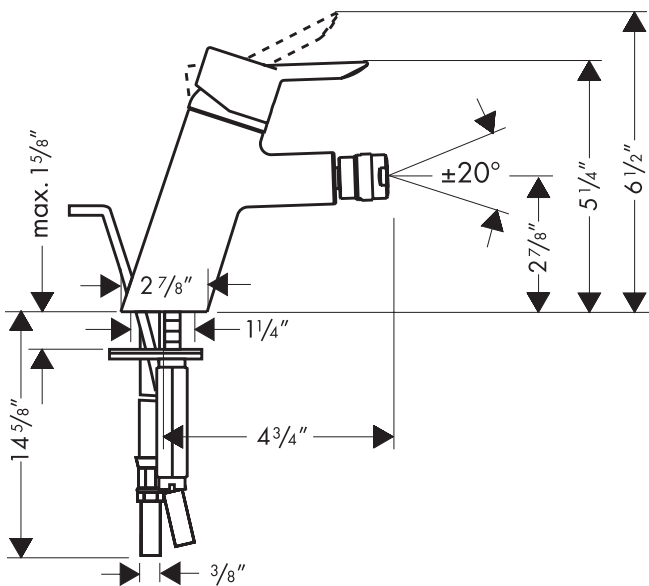
## Installation Notes

- 3/8" supply hoses – requires 3/8" compression fittings
- Not for use on vertical spray bidet

## Optional Accessories

6" baseplate

06490XX0



The measurements shown are for reference only.

Products and specifications shown are subject to change without notice.

Specification sheet revised 11/2008

## Free Manuals Download Website

<http://myh66.com>

<http://usermanuals.us>

<http://www.somanuals.com>

<http://www.4manuals.cc>

<http://www.manual-lib.com>

<http://www.404manual.com>

<http://www.luxmanual.com>

<http://aubethermostatmanual.com>

Golf course search by state

<http://golfingnear.com>

Email search by domain

<http://emailbydomain.com>

Auto manuals search

<http://auto.somanuals.com>

TV manuals search

<http://tv.somanuals.com>