

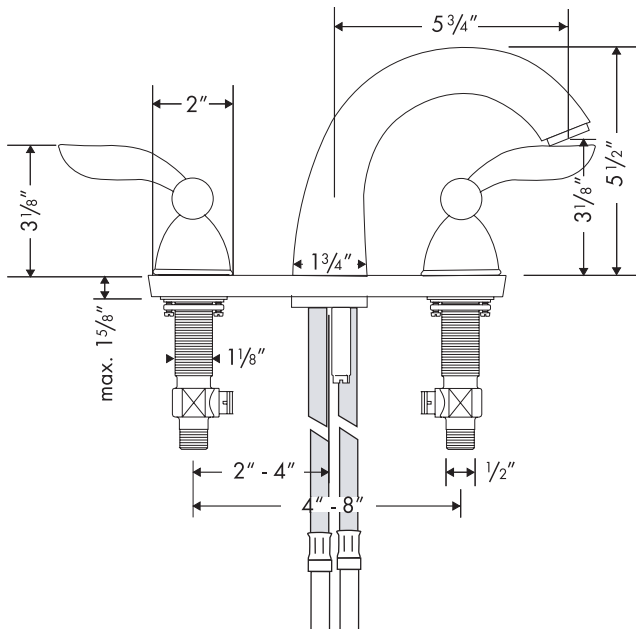
## Product Features

- Lever handles
- Solid brass
- 90° Ceramic cartridges
- Flexible connection hoses accommodate a variety of installations
- Cascade no-clog aerator
- 2.2 gpm max.
- Includes pop-up drain

## Code Compliance

This unit meets or exceeds the following:

- ASME A112.18.1
- CSA B125.1
- Listed by IAPMO
- Approved for use in Massachusetts
- ADA compliant



## Available Finishes

Chrome	06633000
Brushed Nickel	06633820
Polished Nickel	06633830

## Installation Notes

- Requires 1/2" supply lines
- Hole sizes in mounting surface: valves 1 1/4", spout 1 3/8"
- Max. mounting surface thickness: 1 5/8"

The measurements shown are for reference only.

Products and specifications shown are subject to change without notice.

Specification sheet revised 01/2008

## Free Manuals Download Website

<http://myh66.com>

<http://usermanuals.us>

<http://www.somanuals.com>

<http://www.4manuals.cc>

<http://www.manual-lib.com>

<http://www.404manual.com>

<http://www.luxmanual.com>

<http://aubethermostatmanual.com>

Golf course search by state

<http://golfingnear.com>

Email search by domain

<http://emailbydomain.com>

Auto manuals search

<http://auto.somanuals.com>

TV manuals search

<http://tv.somanuals.com>