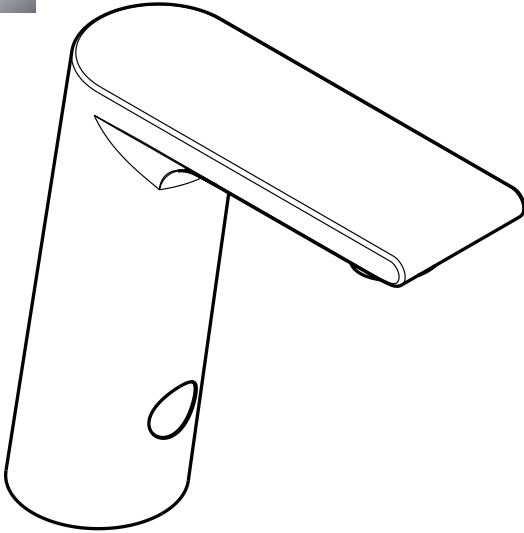


**ECO  
RIGHT**



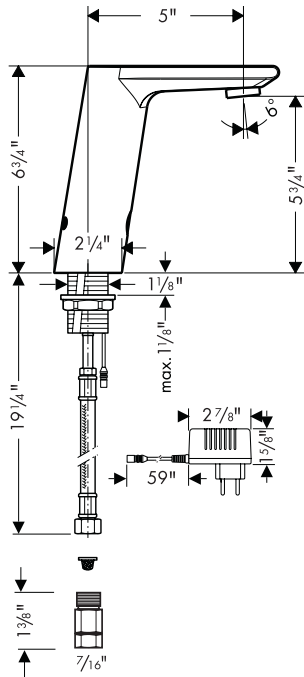
## Product Features

- Infrared sensor technology
- 110 V
- Built-in stop for cleaning
- Preset temperature
- Flexible supply hoses with 3/8" adapters
- Automatic shutoff after 35 seconds
- 1.5 gpm max.

## Code Compliance

This unit meets or exceeds the following:

- ASME A112.18.1
- CSA B125.1
- Listed by IAPMO
- ADA compliant
- Approved for use in Massachusetts



## Available Finishes

Chrome

31103001

Steel Optil

31103801

## Optional Accessories

Grid drain

06400XX0

Base plate

14018XX1

## Installation Notes

Requires 110 V outlet

The measurements shown are for reference only.

Products and specifications shown are subject to change without notice.

Specification sheet revised 1/2009

**hansgrohe**

## Free Manuals Download Website

<http://myh66.com>

<http://usermanuals.us>

<http://www.somanuals.com>

<http://www.4manuals.cc>

<http://www.manual-lib.com>

<http://www.404manual.com>

<http://www.luxmanual.com>

<http://aubethermostatmanual.com>

Golf course search by state

<http://golfingnear.com>

Email search by domain

<http://emailbydomain.com>

Auto manuals search

<http://auto.somanuals.com>

TV manuals search

<http://tv.somanuals.com>