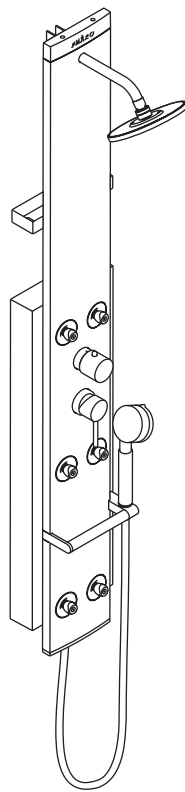


Installation Instruction



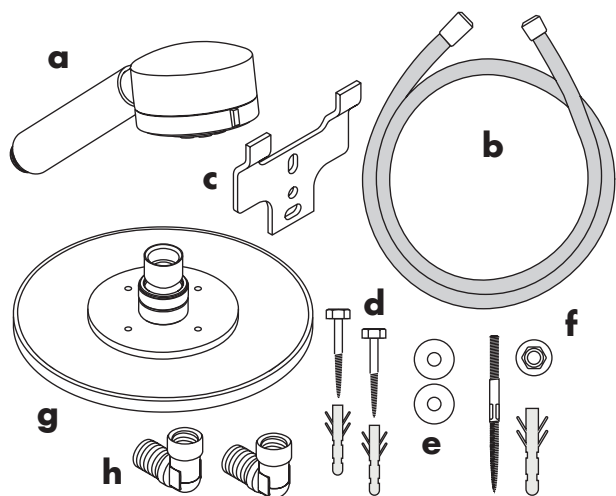
DP Lift 2 M 20
26 87x xx1

Corner fitting set
26 21x 000

PHÂRO[®]
hansgrohe

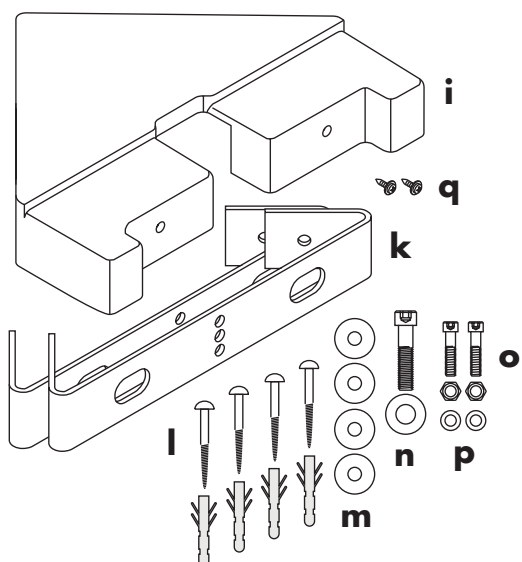
Contents

Contents	
Packing List	3
Wall / Corner Installation Dimensions Diagram	4
Panel Dimensions	5
Fittings / Technical Data	6
Fitting Items / Water Connections Overview Wall Installation	7
Wall Installation	8
Fitting Items / Water Connections Overview Corner Installation	10
Corner Installation	11
Thermostat Setting / Safety Function	14
Trouble Shooting	15
Spare Parts	16
Cleaning Instruction	18
Warranty	19
Addresses	20



Fitting items Panel

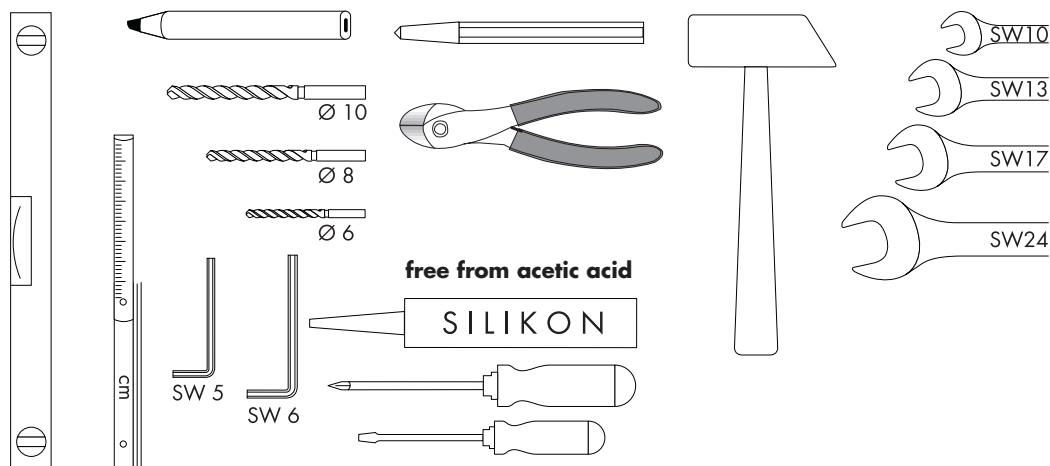
- a Handshower
- b Isiflex B shower hose 140 cm
- c 1 Angle bracket
- d 2 Hexagon head cap screws \varnothing 6 x 50 mm with plugs SX 8
- e 2 Washer A 6,3 x 18
- f 1 Set screw M 8 x 80 with 2 nuts M 8 and plug SX 10
- g Overhead shower
- h 2 Water connection elbows $\frac{1}{2}$ " with filter and non return valve



Fitting items Corner Installation Set

- i Cover
- k 2 Angle bracket
- l 4 Head screws \varnothing 4,5 x 60 mm with plugs
- m 4 Washer A 5,3 x 15
- n Socket head cap screw M 8 x 18, washer A 8,4
- o 2 Socket head cap screws M 6 x 16, nut M 6
- p 2 Washer A 6,4
- q 2 EJOT screws KA 50 x 12

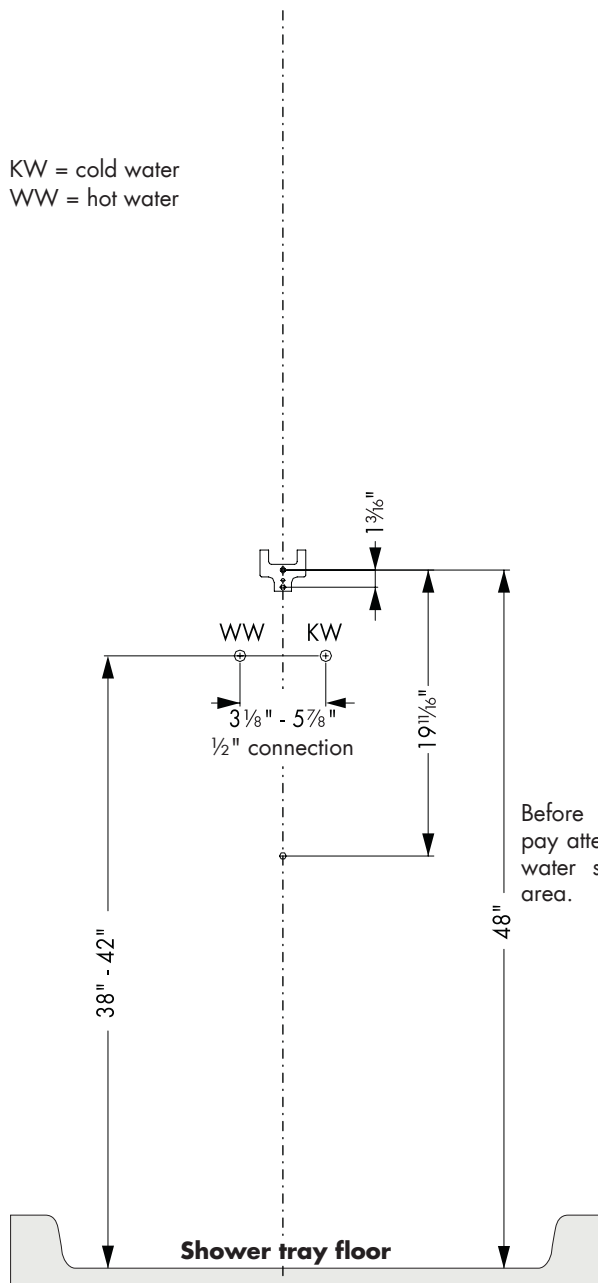
Tools



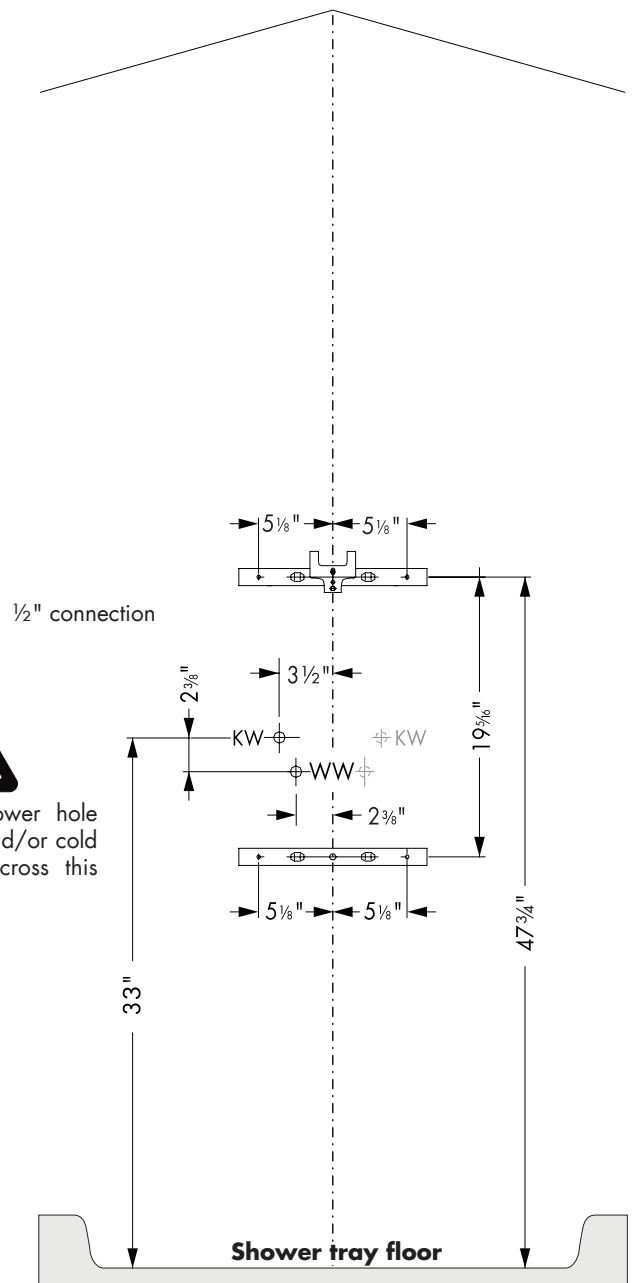
Check for required minimum height of 87" from shower tray floor before starting installation

Wall installation dimensions diagram

Corner installation dimensions diagram

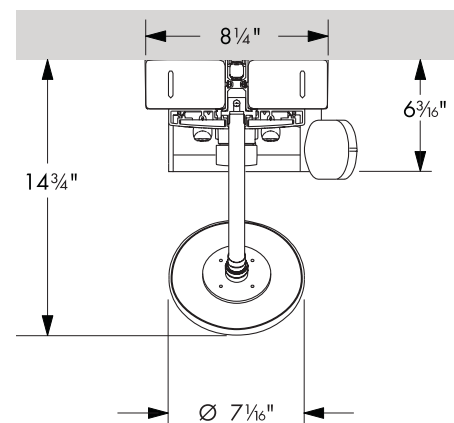
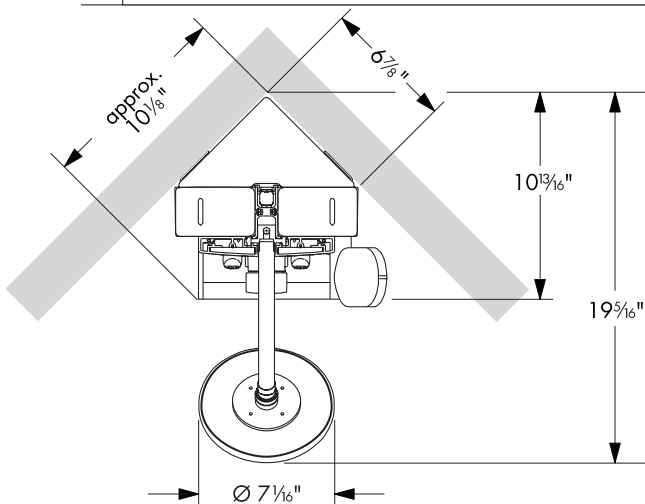
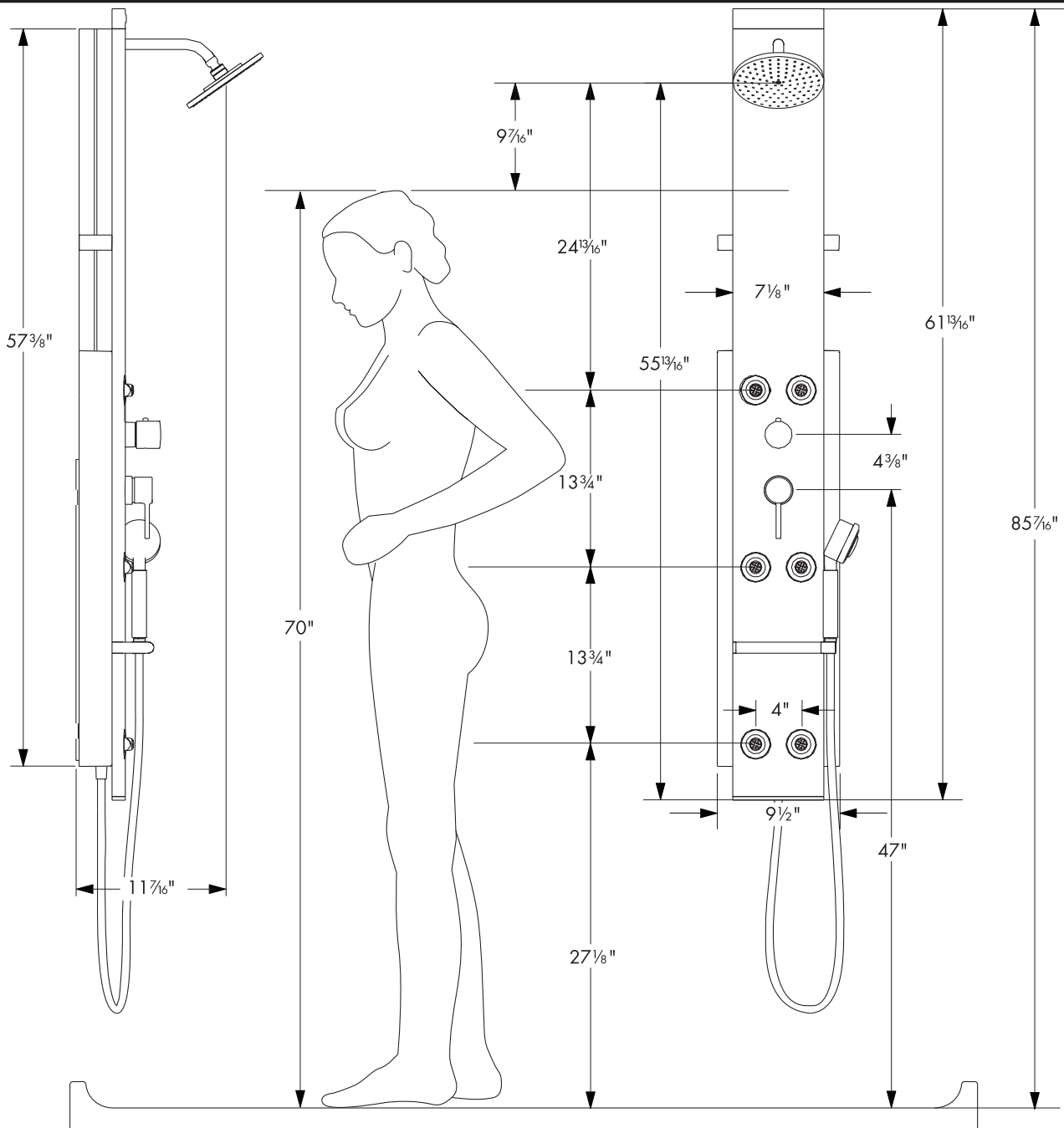


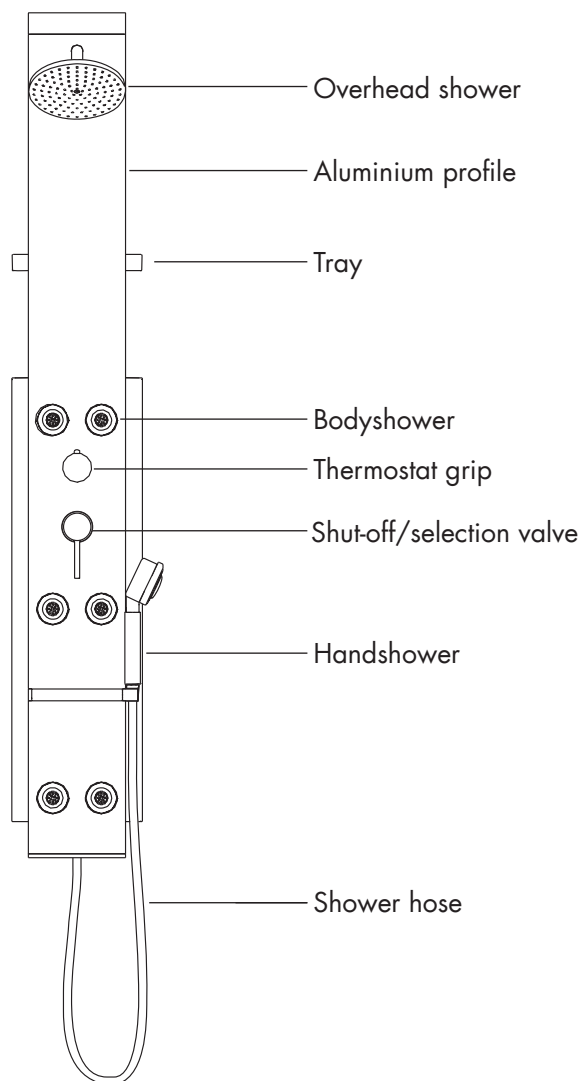
Water connections (DN15, 1/2") can be installed on the right **or** left wall alternatively.



Before drilling the lower hole pay attention if hot and/or cold water supply pipes cross this area.

The panel is movable 8" downward. The stated dimensions refer to the highest position of the panel.





Flow heater:

Applicable for flow heaters at min. 24 kW and 29 psi flow pressure before the Shower panel. Only one consumer possible, not two simultaneously.

Pressure differences:

The pressures of the cold and hot water connections must be balanced.

Maintenance

The non return valves must be checked regularly according with national or regional regulations (at least once a year!).

Technical Data

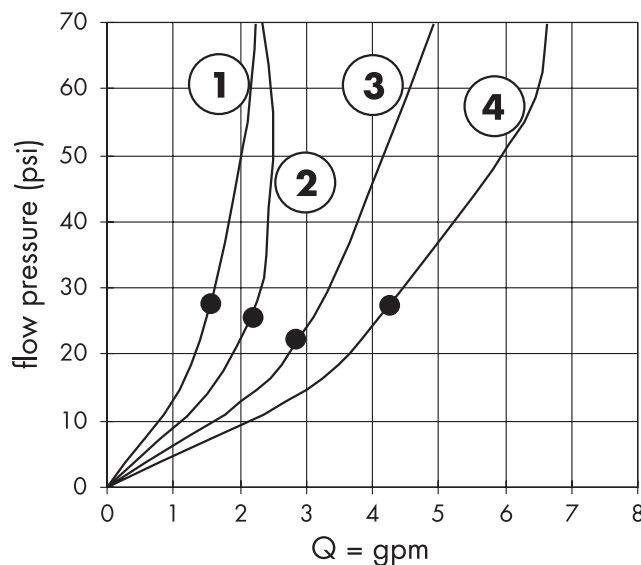
Minimum flow pressure	29 psi
Operating pressure	max. 147 psi*
Recommended operating pressure	29.4-73.5 psi
Test pressure	235.2 psi
Hot water temperature	max. 158 °F
Safety stop	100 °F

Flow capacity at 44 psi

Hand shower (1)	1,9 gpm
Body showers, 6 jets (2)	3,9 gpm
Overhead shower	2,8 gpm
Overhead shower + body showers (3)	5,5 gpm
Hand + body showers	5,0 gpm

*** Check applicable codes**

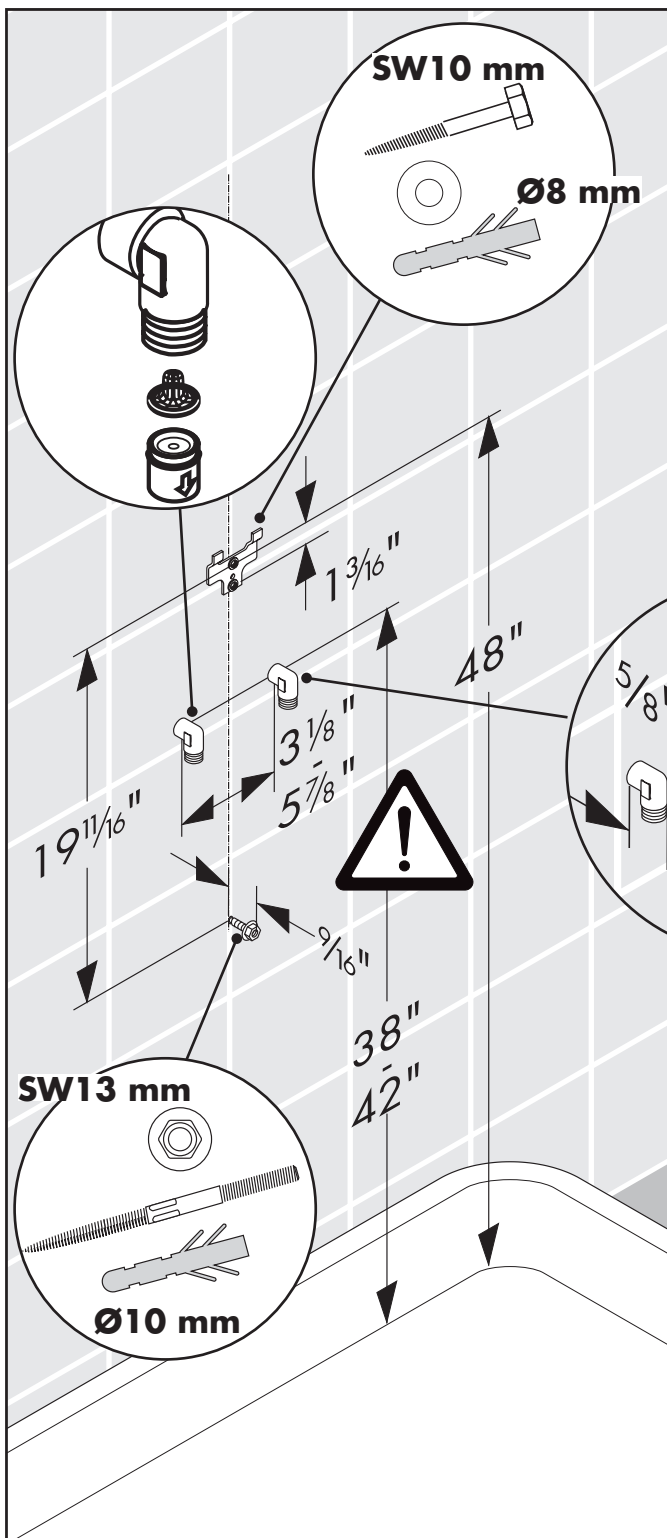
The flow rates are limited to 2.5 gpm. These are the maximum flow rates permitted by the




From • the function is guaranteed.

Fitting items / water connections wall installation

Seal all drill holes with silicone free from acetic acid (not in scope of delivery)



 Before drilling the bottom holes pay attention if hot and/or cold water supply pipes cross this area. In this case, only drill on the side without any supply pipes.

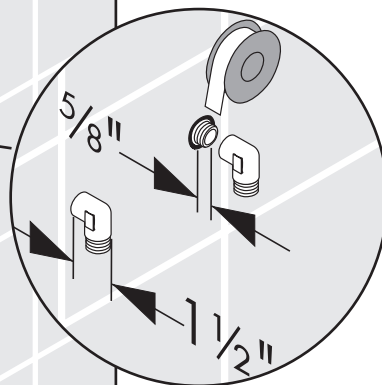
Dimensions

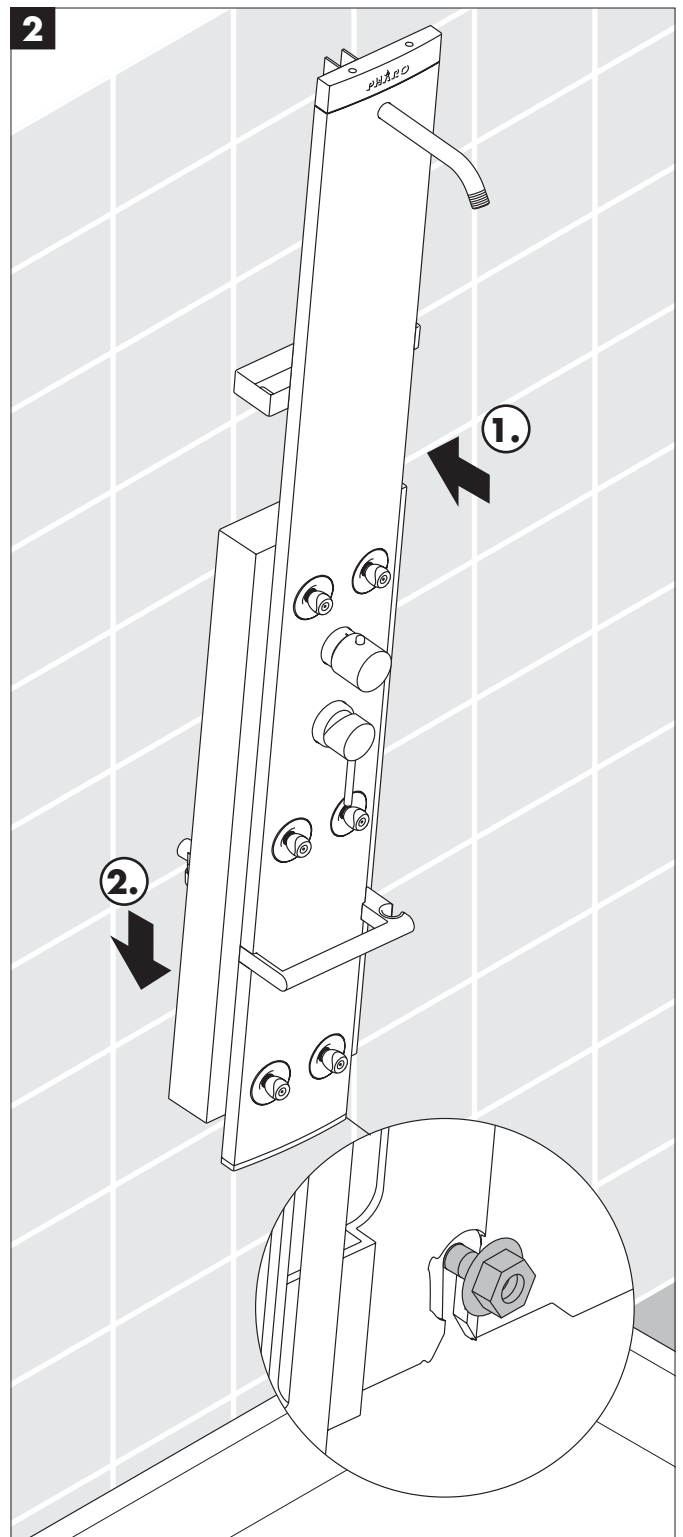
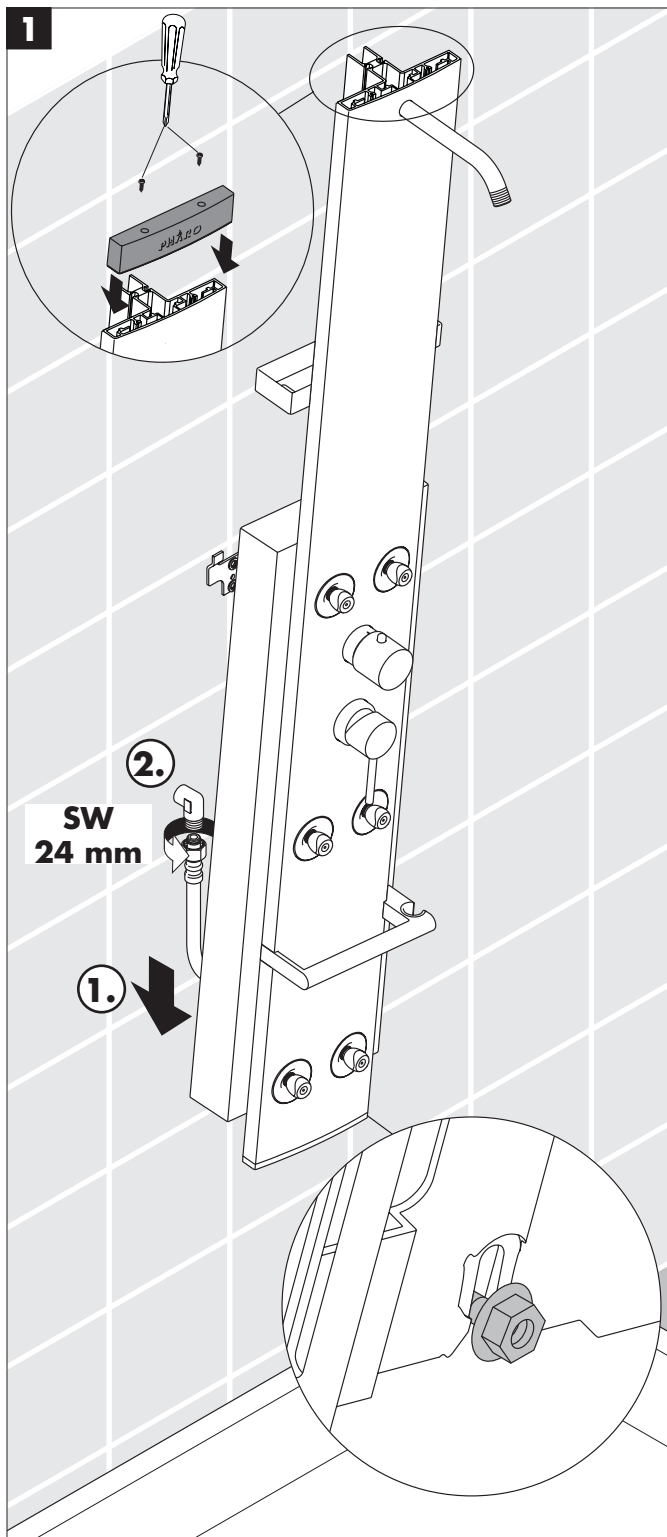
The installation dimensions stated in this installation instructions are ideal for people of approximately 70" in body height. The dimensions can be altered if required. In this case you will have to attend to the minimum height of 87" from shower tray floor, and alter all the required measurements as necessary.

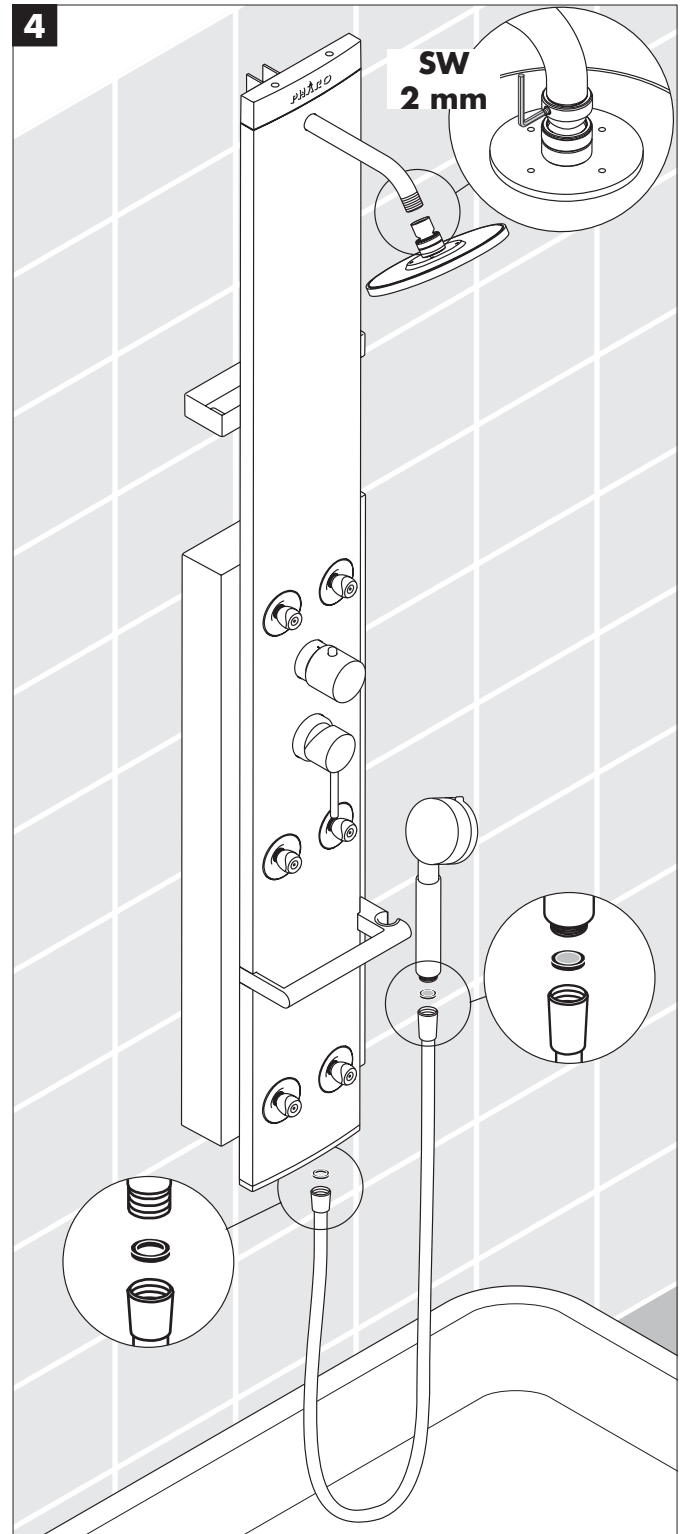
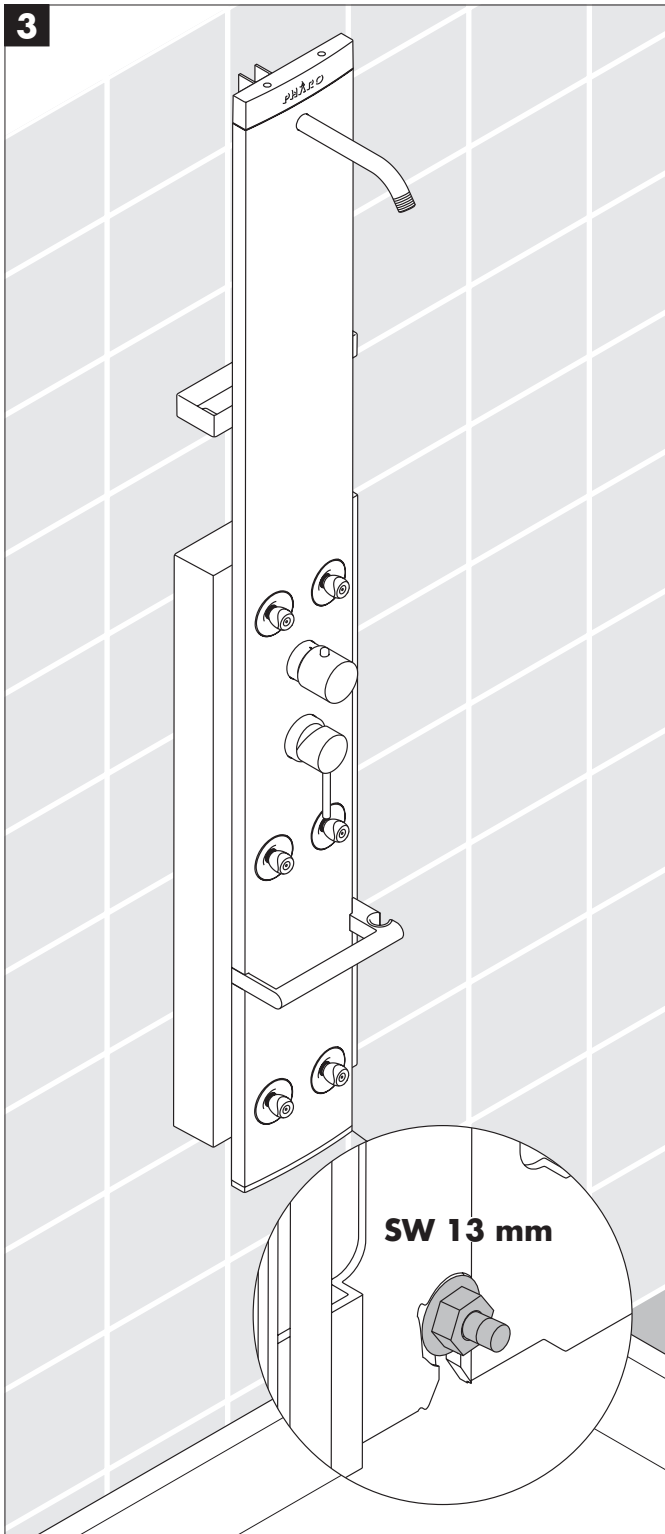
If the height of water connection are outside of the illustrated range, the drill measures have been adjusted accordingly.

(attention for minimum room height of 87 from tub-floor)

Flush through the supply pipes.



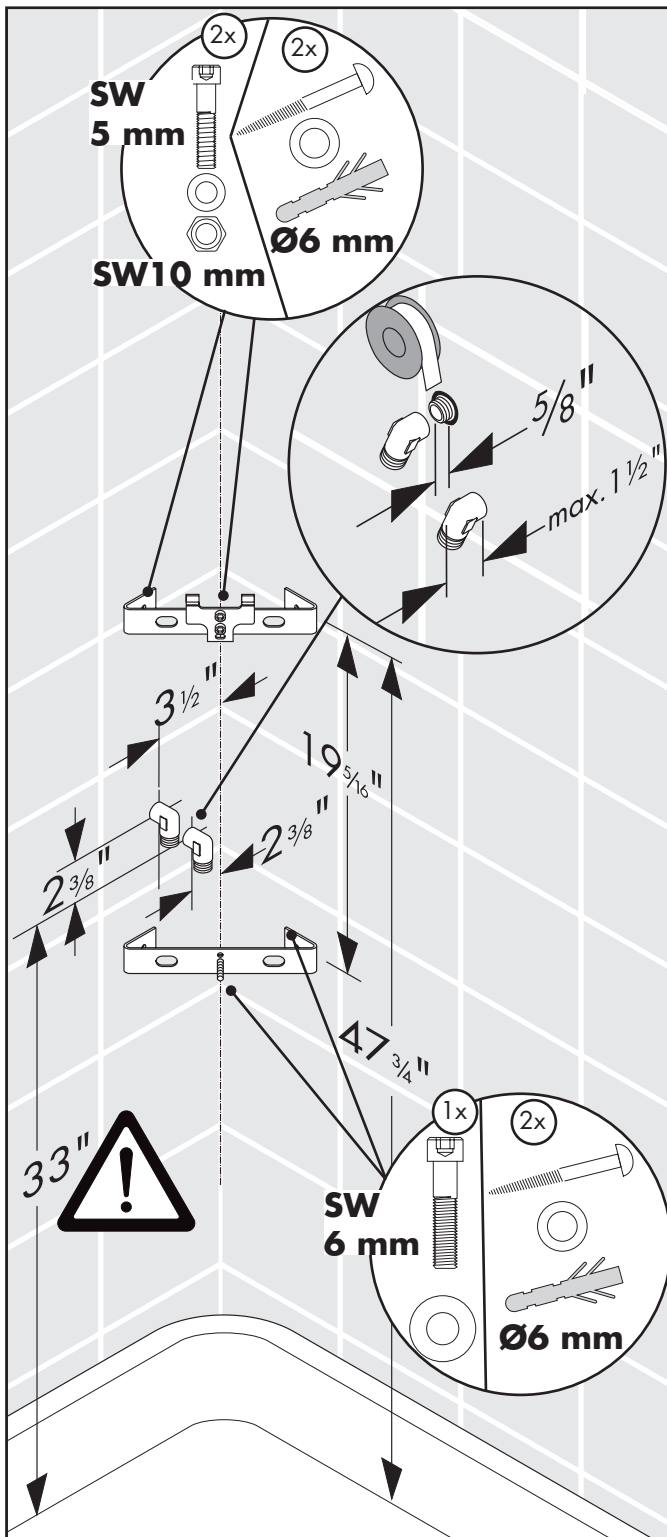




Adjustment Thermostatic mixer please see page 14

Fitting items / water connections corner installation

Seal all drill holes with silicone free from acetic acid (not in scope of delivery)



! Before drilling the bottom holes pay attention if hot and/or cold water supply pipes cross this area. In this case, only drill on the side without any supply pipes.

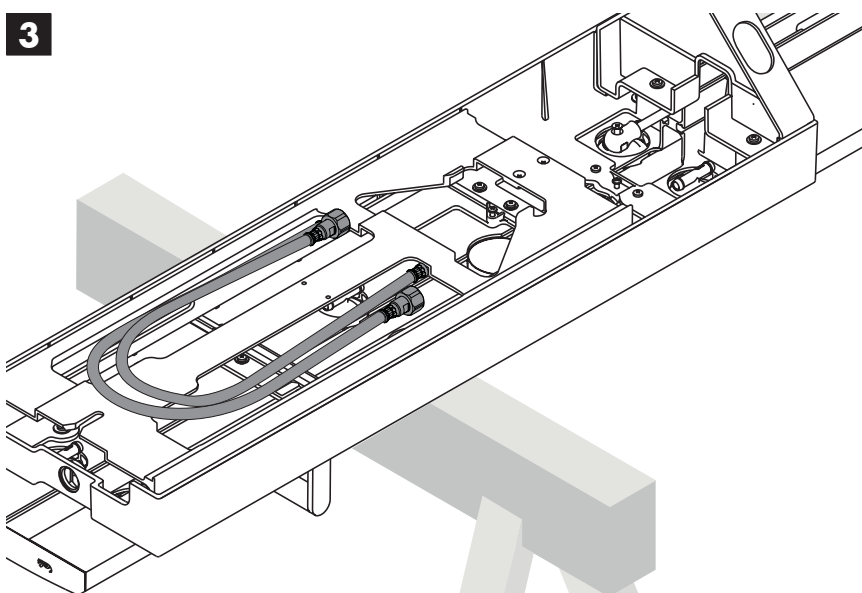
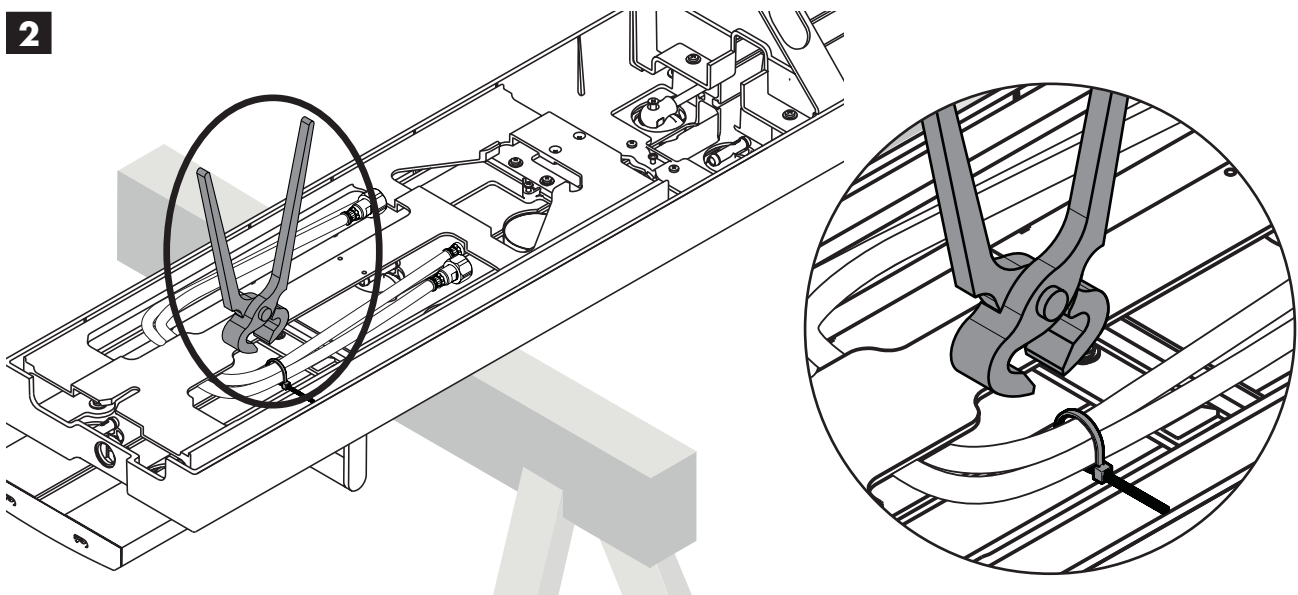
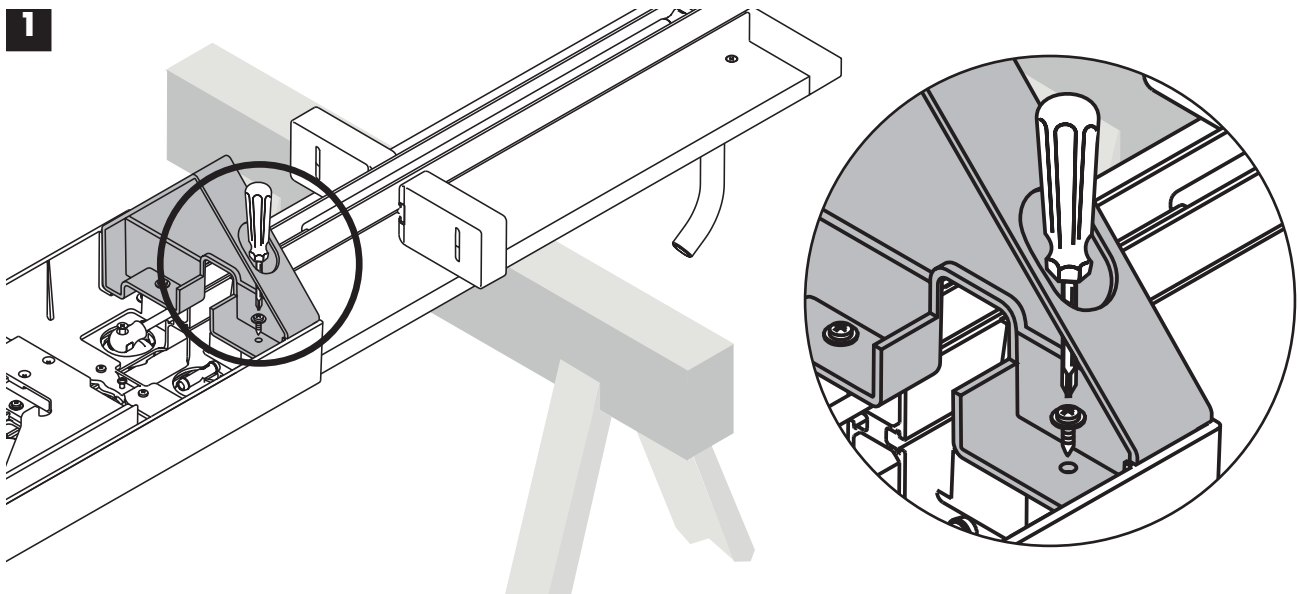
Dimensions

The installation dimensions stated in this installation instructions are ideal for people of approximately 70" in body height. The dimensions can be altered if required. In this case you will have to attend to the minimum height of 87" from shower tray floor, and alter all the required measurements as necessary.

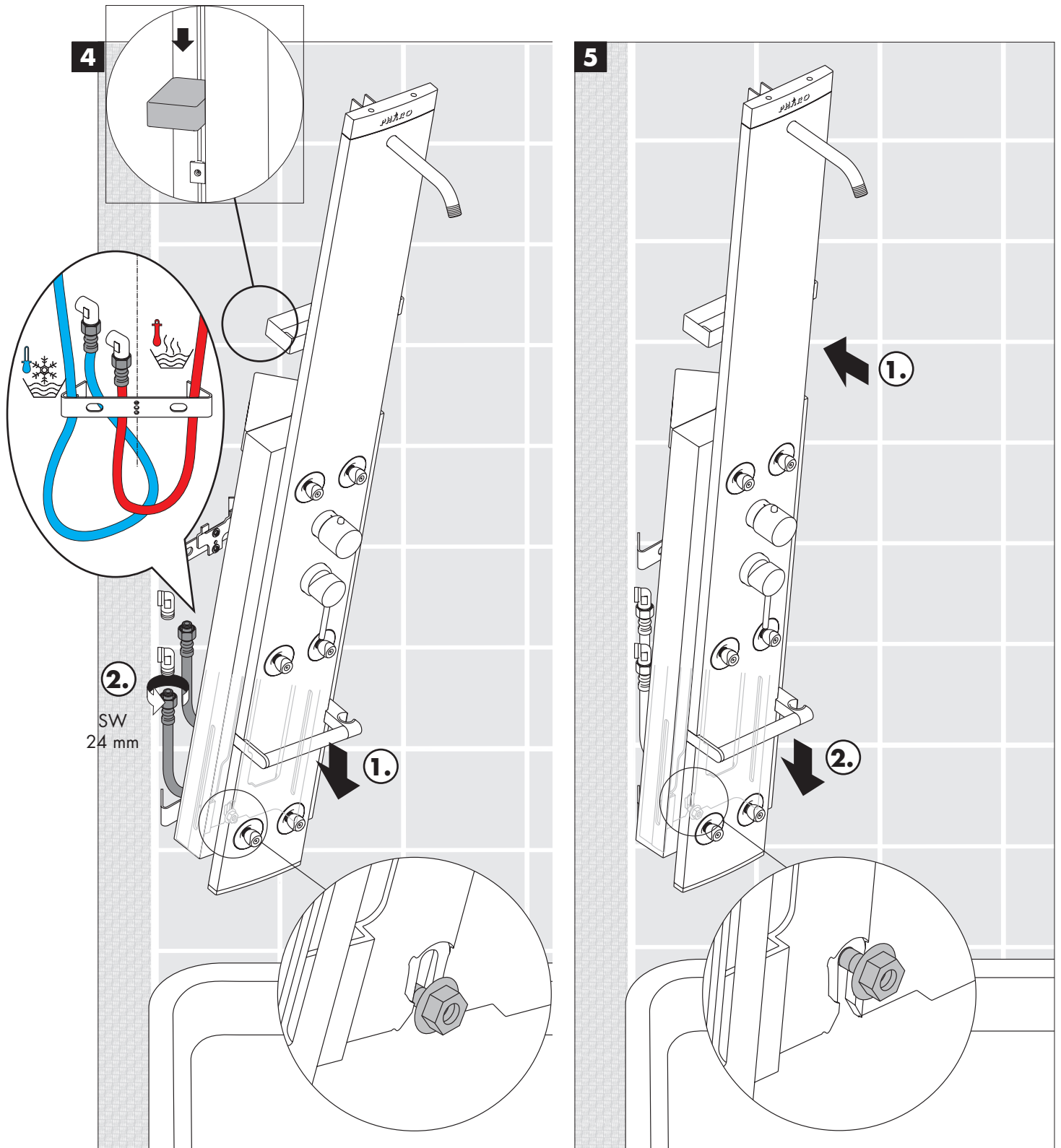
If the height of water connection are outside of the illustrated range, the drill measures have been adjusted accordingly.

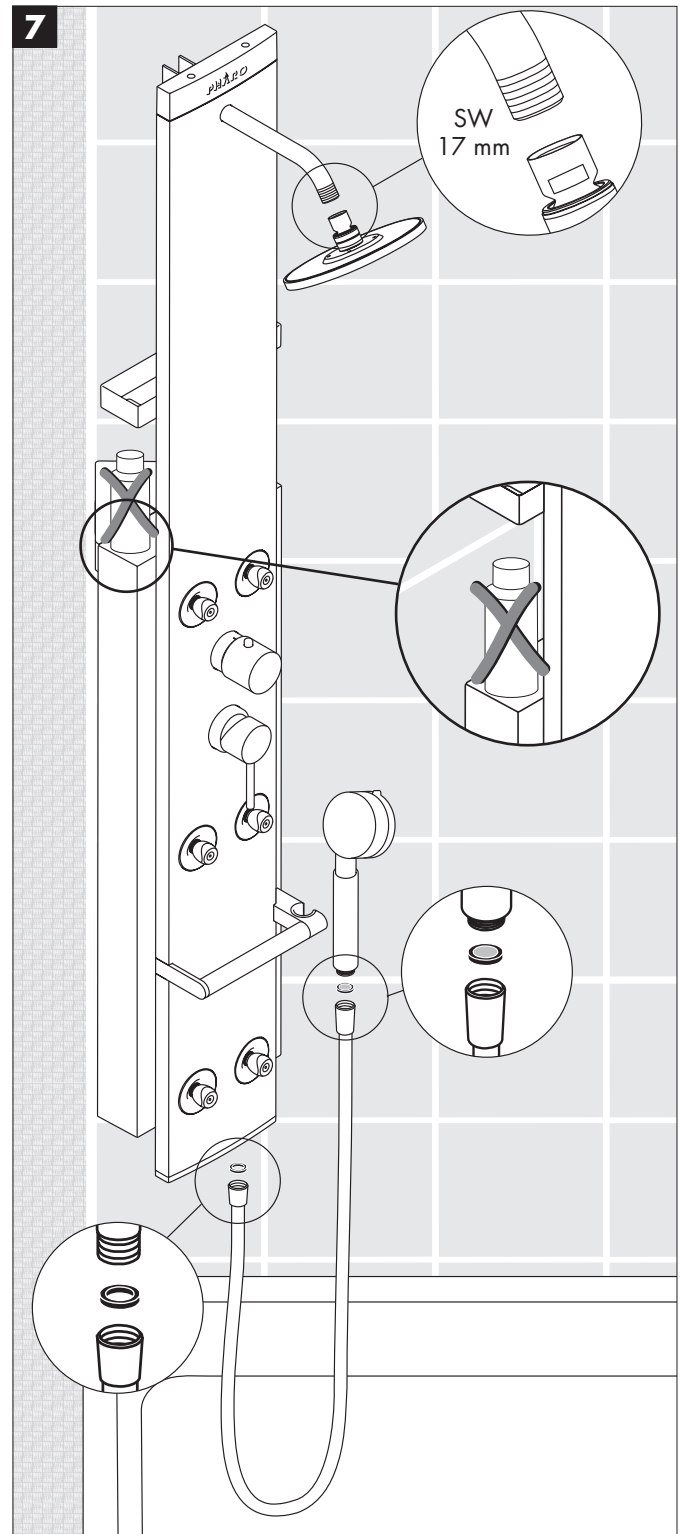
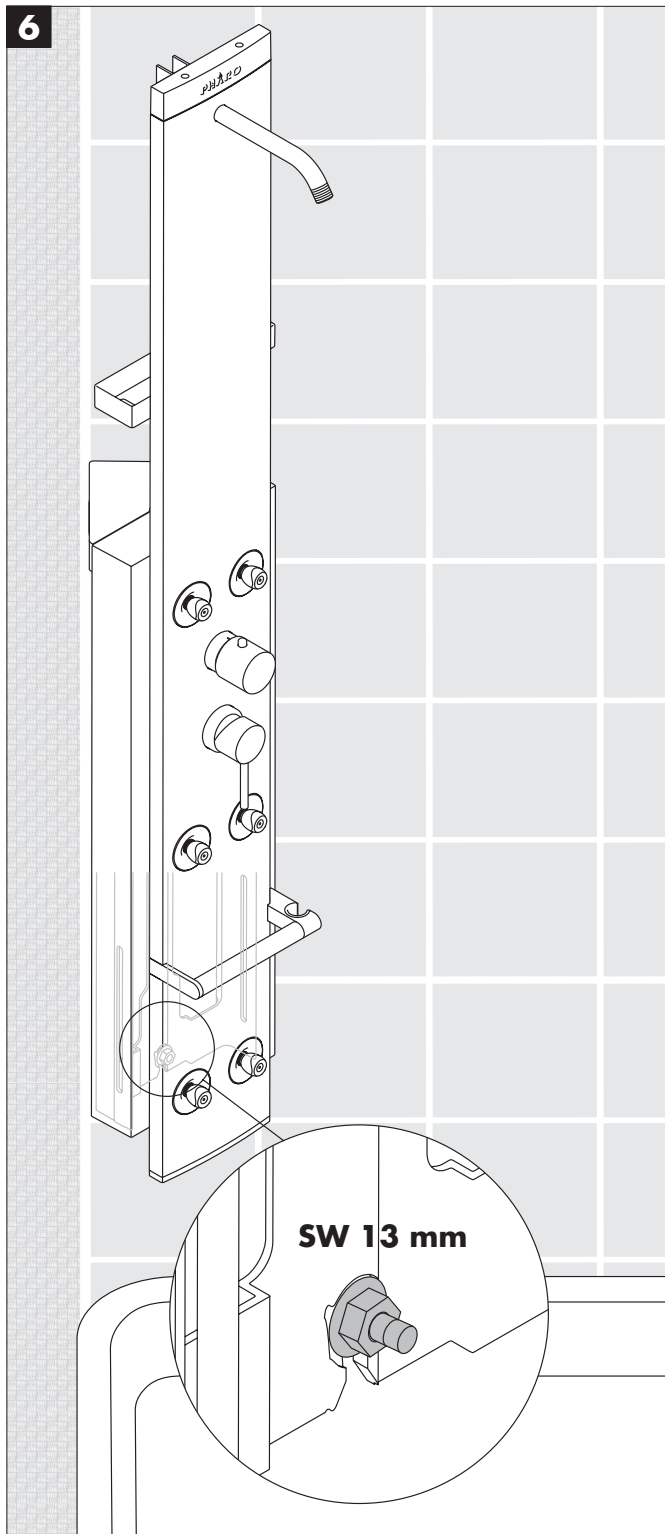
(attention for minimum room height of 87 from tub-floor)

Flush through the supply pipes.



Corner Installation

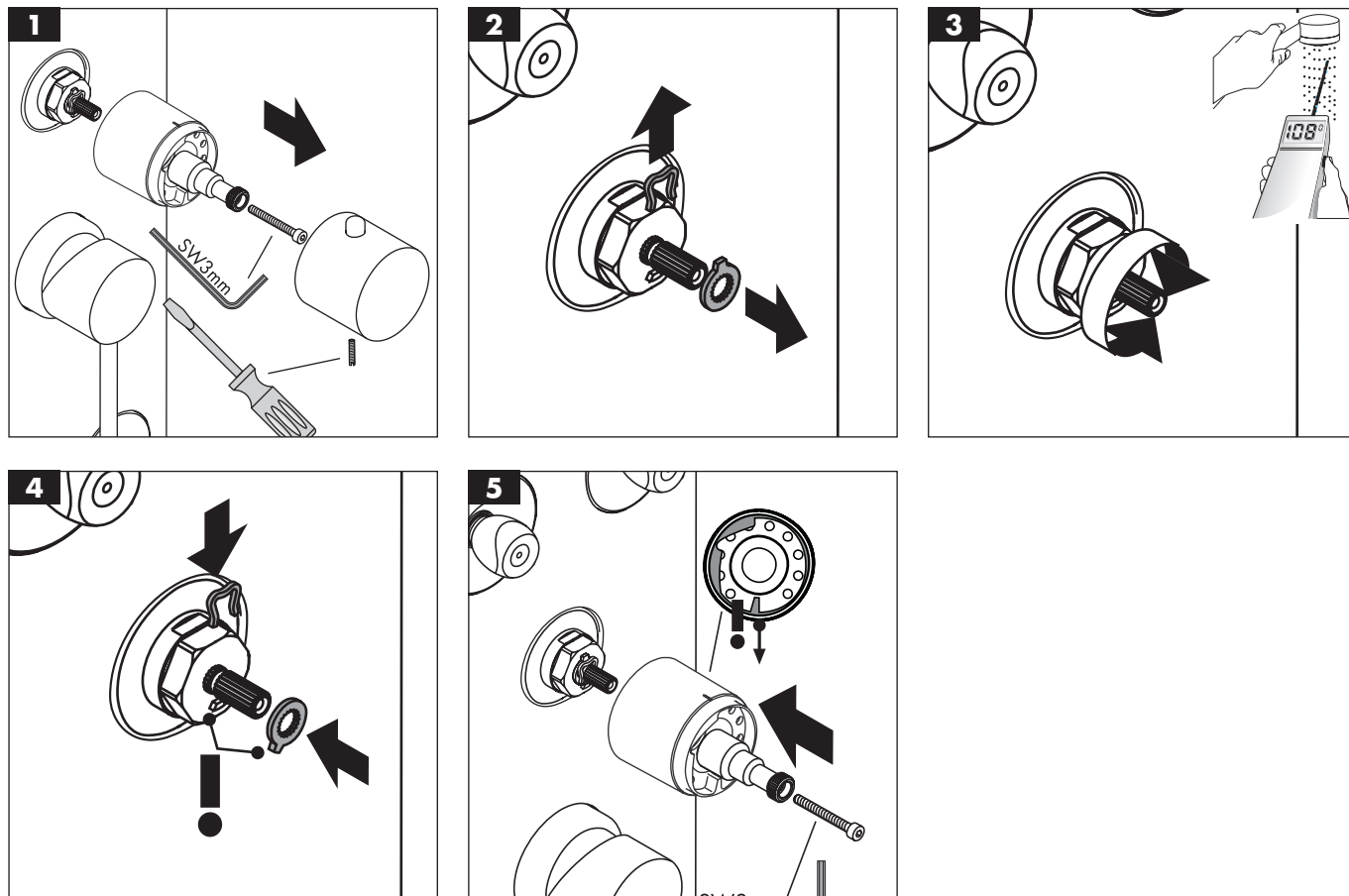




Adjustment Thermostatic mixer please see page 14

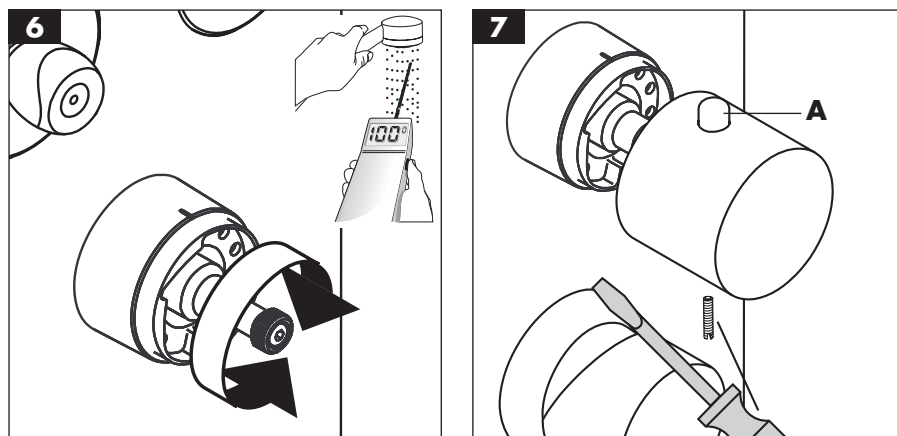
Safety Function (1-5)

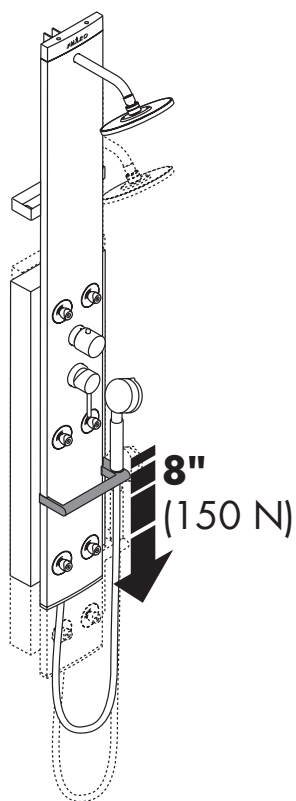
The desired maximum temperature for example max. 108 °F can be pre-set thanks to the safety function



Thermostat Setting (6-7)

- Set Quattrostat to "Hand shower".
- Open Quattrostat, adjust thermostat to 100 °F.
- Push thermostat grip on and align vertically (red button **A** points upwards), screw tight

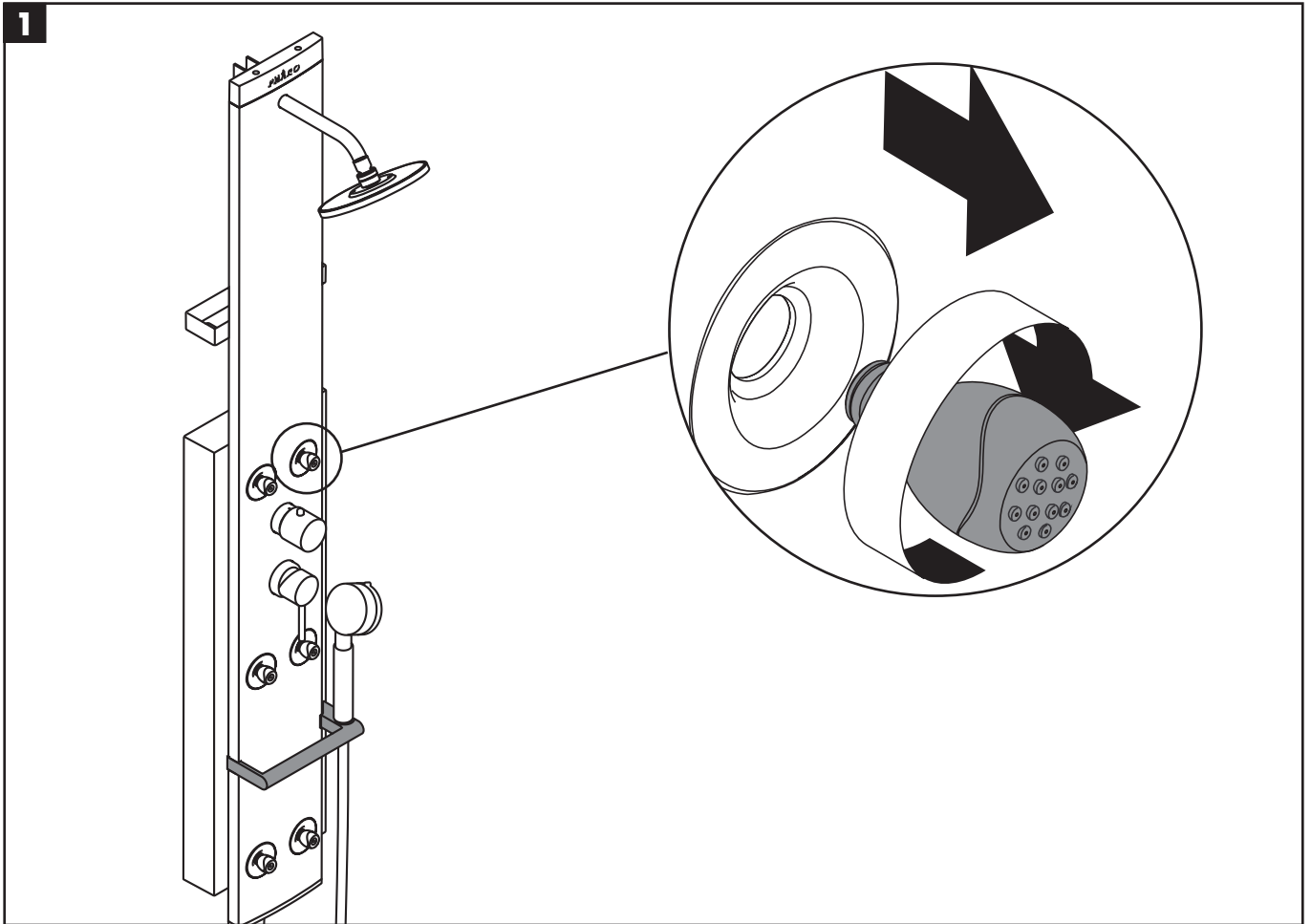


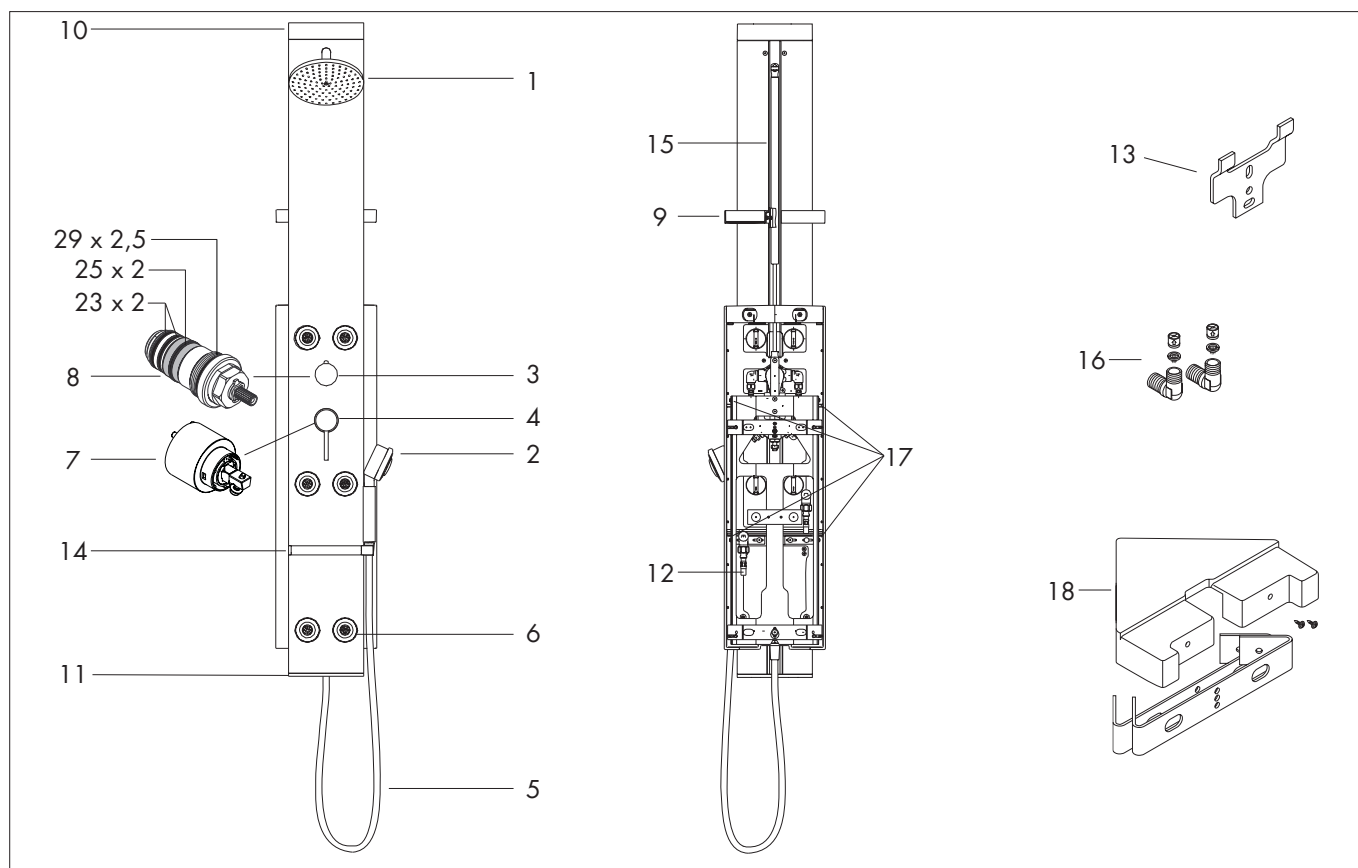


English

Fault	Cause	Remedy
water level is too low handshower delivering insufficient water	filter in angled hose connection is dirt filter of handshower dirty	clean filter clean filter
temperature regulation not possible (only hot or cold water)	thermostatic cartridge defective at new installation: connection hose exchanged	exchange thermostatic cartridge install connection hose correct
shower is dripping	cartridge of Quattrostat defective	exchange cartridge
cartridge of Quattrostat stiff	nut of cartridge screwed to tight	first screw nut of cartridge tight, than loosen the nut approx. 12°

Exchanging lateral shower head





Pos.	Description	Nr./No./Nr.	VE
1	head shower	97195XX1	1
	shower arm	97196XXX	1
2	handshower	98552XX1	1
3	handle for thermostat	38391XX1	1
	sleeve	95032XXX	1
4	handle	10490XXX	1
	flange	97057XXX	1
5	hose	25941XXX	1
6	body shower	97197001	1
	escutcheon	97198XXX	1
	spray head	28408XXX	1
7	cartridge on/off control	96645000	1
8	thermostat cartridge	94282000	1
	sealing set	95037000	1
9	shelf	97199000	1
10	upper cover	97200XXX	1
11	lower cover	97201XXX	1
12	connection hose 900 mm	97202000	1
13	mounting kit	97203001	1
14	handle with showerholder	98579XXX	1
15	gas spring	98611000	1
16	elbow NPT 1/2"	97582000	1
17	sliding roller	98890000	1
18	corner fitting set	2621X000	1

XXX = Colors

- 000 chrome plated
- 810 satinox
- 880 satin chrome

English

Cleaning Recommendation for Hansgrohe Products

Modern sanitary tapware, kitchen mixers and showers consist of very different materials to comply with the needs of the market with regard to design and functionality.

To avoid damage and reclamations, it is necessary to consider certain criteria when cleaning.

Cleaning Materials for Mixers and Showers

Acids are necessary ingredients of cleaning materials for removing lime, however please pay attention to the following points when cleaning mixers and showers:

- Only use cleaning material which is explicitly provided for this type of application, such as Hansgrohe's Decalcifying Agent (A), which is available through the specialist sanitary trade.
- Never use cleaning materials, which contain hydrochloric, formic or acetic acid, as they cause considerable damage.
- Phosphoric acid is also restricted as it can cause damage.
- Never mix any cleaning material with another.
- Never use cleaning materials or appliances with an abrasive effect, such as unsuitable cleaning powders, sponge pads or micro fibre cloths.

Cleaning Instructions for Mixers and Showers

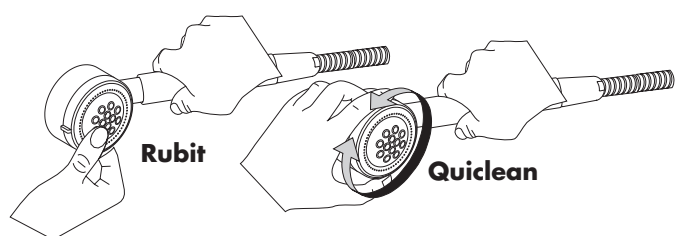
Please follow the cleaning material manufacturer's instructions. In addition pay attention to the following points:

- Clean the mixers and showers as and when required
- The cleaning dosage and time the cleaner needs to take effect should be adjusted according to the product and the cleaner should not be left longer than necessary.
- Regular cleaning can prevent calcification.
- When using spray cleaner, spray first into a cloth or sponge never directly onto the sanitary tapware, as drops could enter openings and gaps and cause damage.
- After cleaning rinse thoroughly with clean water to remove any cleaner residue.

Important

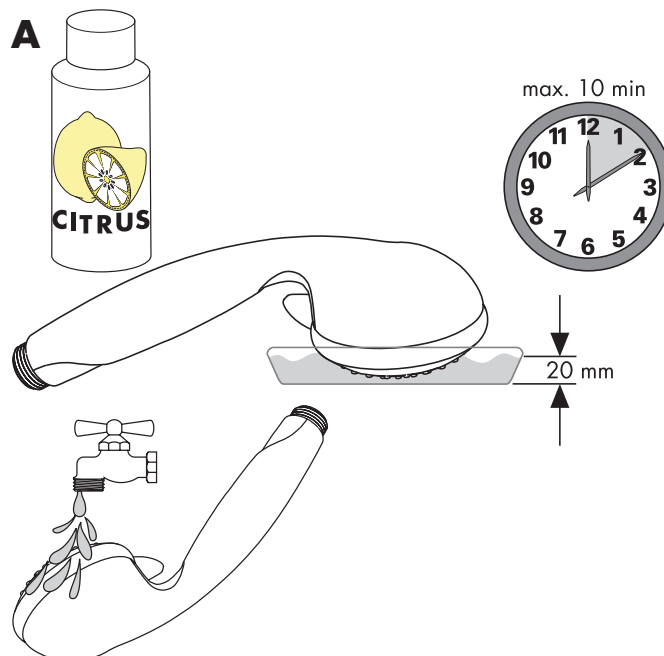
Residues of liquid soaps, shampoos and shower foams can also cause damage, so rinse with clean water after using. If the surface is already damaged, the effect of cleaning materials will cause further damage.

Damage caused by improper treatment will not be covered by our guarantee.



Cleaning the hand and head shower
With the manual cleaning function "Rubit", jet former calcinations can be removed by simple rubbing.

Cleaning the hand-shower Handshower with "Qui-clean", the cleaning function against calcinations. When the jet types are changed, small cleaning pins remove the calcinations.



Limited Lifetime Consumer Warranty

This product has been manufactured and tested to the highest quality standards by Hansgrohe, Inc. („Hansgrohe“). This warranty is limited to Hansgrohe products which are purchased by a consumer in the United States after March 1, 1996, and installed in either the United States or Canada.

WHO IS COVERED BY THE WARRANTY

This warranty extends to the original consumer purchaser only.

WHAT IS COVERED BY THE WARRANTY

This warranty covers only your Hansgrohe manufactured product. Hansgrohe warrants this product against defects in material or workmanship as follows: Hansgrohe will repair at no charge for parts only or, at its option, replace any product or part of the product which proves defective because of improper workmanship and/or material, under normal installation, use, service and maintenance. If Hansgrohe is unable to provide a replacement and repair is not practical or cannot be timely made, Hansgrohe may elect to refund the purchase price in exchange for the return of the product.

LENGTH OF WARRANTY

Replacement or repaired parts of products will be covered for the term of this warranty as stated in the following two sentences. If you are a consumer who purchased the product for use primarily for personal, family, or household purposes, this warranty extends for as long as you own the product and the home in which the product is installed. If you purchased the product for use primarily for any other purpose, including, without limitation, a commercial purpose, this warranty extends only (i) for 1 year, with respect to Interaktiv and Retroaktiv products, and (ii) for 5 years, with respect to AXOR, ShowerPower and Pharo products.

THIS WARRANTY DOES NOT COVER, AND HANSGROHE WILL NOT PAY FOR:

- A. Conditions, malfunctions or damage not resulting from defects in material or workmanship.
- B. Conditions, malfunctions or damage resulting from (1) improper installation, improper maintenance, misuse, abuse, negligence, accident or alteration, or (2) the use of abrasive or caustic cleaning agents or “no rinse” cleaning products, or the use of the product in any manner contrary to the product instructions.
- C. Labor or other expenses for the disconnection or return of the product for warranty service, or for installation or reinstallation of the product.
- D. Accessories or related products not manufactured by Hansgrohe.

TO OBTAIN WARRANTY SERVICE

Contact your Hansgrohe retailer, or write to Technical Service at:

Hansgrohe Inc.
1492 Bluegrass Lakes Parkway
Alpharetta GA 30004

Or, call Hansgrohe toll-free at (800) 334-0455.

In requesting warranty service, you will need to provide

1. The sales receipt or other evidence of the date and place of purchase.
2. A description of the problem.
3. Delivery of the product or the defective part, postage prepaid and carefully packed and insured, to Hansgrohe Inc. 1492 Bluegrass Lakes Parkway, Alpharetta, Georgia 30004, Attention: Technical Service, if required by Hansgrohe.

When warranty service is completed, any repaired or replacement product or part will be returned to you postage prepaid.

EXCLUSIONS AND LIMITATIONS

REPAIR OR REPLACEMENT (OR, IN LIMITED CIRCUMSTANCES, REFUND OF THE PURCHASE PRICE) AS PROVIDED UNDER THIS WARRANTY IS THE EXCLUSIVE REMEDY OF THE PURCHASER. HANSGROHE NEITHER ASSUMES NOR AUTHORIZES ANY PERSON TO CREATE FOR IT ANY OBLIGATION OR LIABILITY IN CONNECTION WITH THIS PRODUCT.

HANSGROHE SHALL NOT BE LIABLE TO PURCHASER OR ANY PERSON FOR ANY INCIDENTAL, SPECIAL, OR CONSEQUENTIAL DAMAGES, ARISING OUT OF BREACH OF THIS WARRANTY OR ANY IMPLIED WARRANTY (INCLUDING MERCHANTABILITY).

Some States do not allow the exclusion or limitation of incidental or consequential damages, so the above limitation or exclusion may not apply to you.

This warranty gives you specific legal rights, and you may have other rights which vary from State to State.

You may be required by law to give us a reasonable opportunity to correct or cure any failure to comply before you can bring any action in court against us under the Magnuson-Moss Warranty Act.

PRODUCT INSTRUCTIONS AND QUESTIONS

Upon purchase or prior to installation, please carefully inspect your Hansgrohe product for any damage or visible defect. Prior to installing, always carefully study the enclosed instructions on the proper installation and the care and maintenance of the product. If you have questions at any time about the use, installation, or performance of your Hansgrohe product, or this warranty, please call or write to us at the toll-free number and address printed above.

hansgrohe

Hansgrohe · Postfach 1145 · D-77761 Schiltach · Telefon +49 (0) 78 36/51-1282 · Telefax +49 (0) 7836/511440
E-Mail: info@hansgrohe.com · Internet: www.hansgrohe.com
Download from www.Somanuals.com. All Manuals Search And Download.

03/2009
9.051185.03

Free Manuals Download Website

<http://myh66.com>

<http://usermanuals.us>

<http://www.somanuals.com>

<http://www.4manuals.cc>

<http://www.manual-lib.com>

<http://www.404manual.com>

<http://www.luxmanual.com>

<http://aubethermostatmanual.com>

Golf course search by state

<http://golfingnear.com>

Email search by domain

<http://emailbydomain.com>

Auto manuals search

<http://auto.somanuals.com>

TV manuals search

<http://tv.somanuals.com>