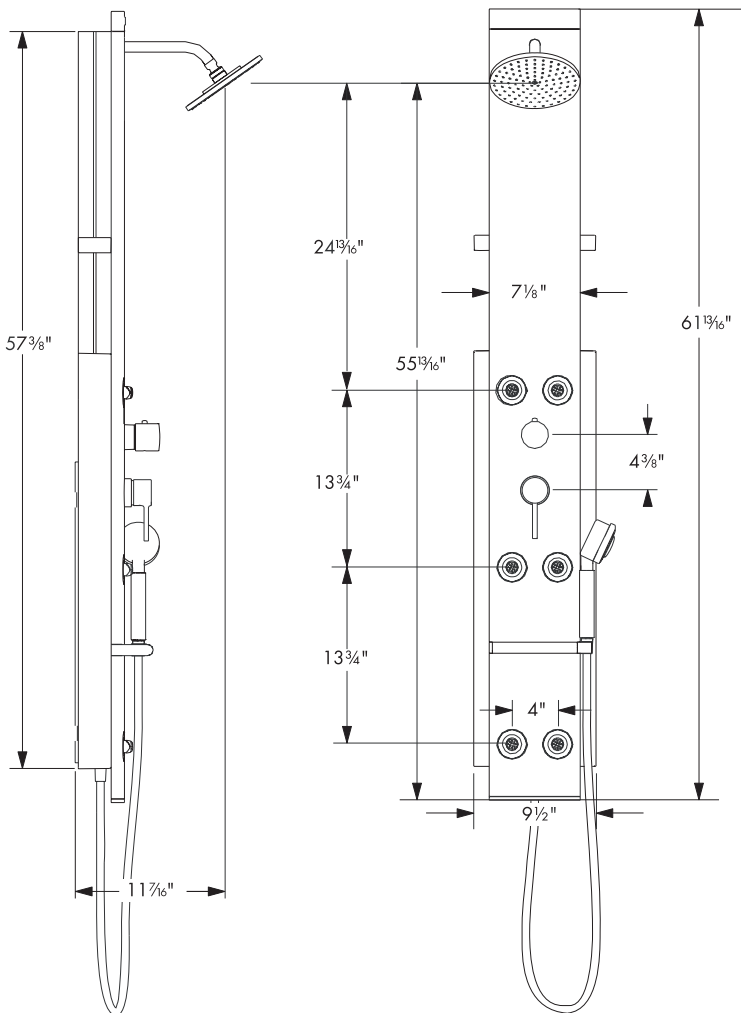


Lift-M20 Showerpanel



Product Features

- 8" Height adjustable panel pre-plumbed with thermostatic mixing valve
- 100° safety stop
- High temperature limit stop may be reset to comply with local plumbing codes
- Quattro diverter with integrated volume control
- Downpour 180 showerhead, 2.5 gpm
- Handshower with two spray modes: full and massage, 2.5 gpm
- 63" Techniflex hose
- 6 bodysprays < 1 gpm each
- Accessory shelf
- Protection against backflow provided by check valve

Code Compliance

This unit meets or exceeds the following:

- ASME A112.18.1
- CSA B125.1
- Listed by IAPMO
- Approved for use in Massachusetts

Available Finishes

Satin Chrome panel with chrome trim	26871001
White panel with chrome trim	26870001

Optional Accessories

Corner mounting kit, satin chrome	26215000
Corner mounting kit, white	26214000
Replacement Bodyspray - Full	28406000
Replacement Bodyspray - Massage	28408000
Replacement Bodyspray - Fog	28409000

The measurements shown are for reference only.

Products and specifications shown are subject to change without notice.

Specification sheet revised 1/2008

Installation Notes

- Requires 1/2" NPT male nipples, extending 5/8" outside the surface of the finished wall, for the hot and cold supplies
- The panel hangs on the finished wall.

hangrohe

Free Manuals Download Website

<http://myh66.com>

<http://usermanuals.us>

<http://www.somanuals.com>

<http://www.4manuals.cc>

<http://www.manual-lib.com>

<http://www.404manual.com>

<http://www.luxmanual.com>

<http://aubethermostatmanual.com>

Golf course search by state

<http://golfingnear.com>

Email search by domain

<http://emailbydomain.com>

Auto manuals search

<http://auto.somanuals.com>

TV manuals search

<http://tv.somanuals.com>