

# PVC AIR HORN - 12 VOLT WITH COMPRESSOR

## Model 40134

### ASSEMBLY AND OPERATING INSTRUCTIONS



3491 Mission Oaks Blvd., Camarillo, CA 93011  
Visit our Web site at <http://www.harborfreight.com>

Copyright © 2002 by Harbor Freight Tools®. All rights reserved. No portion of this manual or any artwork contained herein may be reproduced in any shape or form without the express written consent of Harbor Freight Tools.

**For technical questions and replacement parts, please call 1-800-444-3353**

## Specifications

| ITEM            | DESCRIPTION                                 |
|-----------------|---|
| Operating Power | 12 VDC, 10 watts, 8 ohms                    |
| Horn Sizes      | 3 inch (D) Bell, 6-3/8 and 8-1/2 inches (L) |
| Construction    | Horns: PVC; Compressor: metal encased       |
| Sound Level     | 135+ DB; High and low tones                 |
| Horn Relay      | 12 VDC, 40 amps, 4-pole, 2-way              |
| Weight          | 2.1 lbs.                                    |

## Save This Manual

You will need the manual for the safety warnings and precautions, assembly instructions, operating and maintenance procedures, parts list and diagram. Keep your invoice with this manual. Write the invoice number on the inside of the front cover. Keep the manual and invoice in a safe and dry place for future reference.

## Safety Warnings and Precautions

**WARNING: When using tools to install this product, basic safety precautions should always be followed to reduce the risk of personal injury and damage to equipment.**

**Read all instructions before installing this product!**

1. **Keep work area clean.** Cluttered areas invite injuries.
2. **Observe work area conditions.** Do not use machines or power tools in damp or wet locations. Don't expose to rain. Keep work area well lighted. Do not use electrically powered tools in the presence of flammable gases or liquids.
3. **Keep children away.** Children must never be allowed in the work area. Do not let them handle machines, tools, or extension cords.
4. **Store idle equipment.** When not in use, tools must be stored in a dry location to inhibit rust. Always lock up tools and keep out of reach of children.
5. **Use the right tool for the job.** Do not attempt to force a small tool or attachment to do the work of a larger industrial tool. There are certain applications for which this tool was designed. It will do the job better and more safely at the rate for which it was intended. Do not modify this tool and do not use this tool for a purpose for which it was not intended.

6. **Dress properly.** Do not wear loose clothing or jewelry as they can be caught in moving parts. Protective, electrically non-conductive clothes and non-skid footwear are recommended when working. Wear restrictive hair covering to contain long hair.
7. **Use eye and ear protection.** Always wear ANSI approved impact safety goggles when working with tools and equipment.
8. **Do not overreach.** Keep proper footing and balance at all times. Do not reach over or across running machines.
9. **Maintain tools with care.** Keep tools sharp and clean for better and safer performance. Follow instructions for lubricating and changing accessories. Inspect tool cords periodically and, if damaged, have them repaired by an authorized technician.
10. **Disconnect power.** Unplug tools when not in use.
11. **Remove adjusting keys and wrenches.** Check that keys and adjusting wrenches are removed from tools or work surfaces before using.
12. **Avoid unintentional starting.** When using power tools, be sure the switch is in the Off position when not in use and before plugging in. Do not carry any tool with your finger on the trigger, whether it is plugged in or not.
13. **Stay alert.** Watch what you are doing, use common sense. Do not operate any tool when you are tired.
14. **Check for damaged parts.** Before using any tool, any part that appears damaged should be carefully checked to determine that it will operate properly and perform its intended function. Check for alignment and binding of moving parts; any broken parts or mounting fixtures; and any other condition that may affect proper operation. Any part that is damaged should be properly repaired or replaced by a qualified technician. Do not use the tool if any switch does not turn On and Off properly.
15. **Guard against electric shock.** Prevent body contact with grounded surfaces such as pipes, radiators, ranges, and refrigerator enclosures.
16. **Replacement parts and accessories.** When servicing this product, use only identical replacement parts. Use of any other parts will void the warranty. Only use accessories intended for use with this tool. Approved accessories are available from Harbor Freight Tools.
17. **Do not operate tools if under the influence of alcohol or drugs.** Read warning labels on prescriptions to determine if your judgment or reflexes are impaired while taking drugs. If there is any doubt, do not operate tools.

18. **Use proper size and type extension cord.** If an extension cord is required to power tools, it must be of the proper size and type to supply the correct current to the tool without heating up. Otherwise, the extension cord could melt and catch fire, or cause electrical damage to the tool. Most hand tools require an extension cord of **0 to 10 amps** capability (up to 50 feet), with wire size rated at **18 AWG**. Longer extension cords require larger size wire. If you are using the tool outdoors, use an extension cord rated for outdoor use. (signified by "WA" on the jacket).
19. **Maintenance.** For your safety, service and maintenance should be performed regularly by a qualified technician.

**Note:** Performance of this product may vary depending on variations in line voltage.

**Warning:** The warnings, cautions, and instructions discussed in this instruction manual cannot cover all possible conditions and situations that may occur. It must be understood by the operator that common sense and caution are factors which cannot be built into this product, but must be supplied by the operator.

## Unpacking

When unpacking, check to make sure the following parts are included.



| ITEM | DESCRIPTION                                |
|------|--|
| 1    | Plastic Horn, Low Tone                     |
| 2    | Plastic Horn, High Tone                    |
| 3    | Compressor, 12 VDC                         |
| 4    | Vinyl Tubing, 30"                          |
| 5    | Electric Relay, 12 VDC, 40A, 4-pole, 2-way |
| 6    | Coupling, "Y" Tubing                       |
| 7    | Screws and Nuts                            |
| 8    | Mounting Blocks                            |

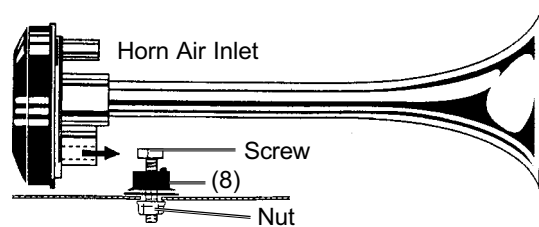
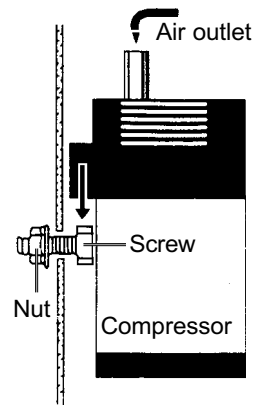
**NOTE:** Some parts are listed and shown for illustration purposes only and are not available individually as replacement

If any parts are missing or broken, please call Harbor Freight Tools at the number on the cover of this manual.

## Installation

**Caution: Installation should be completed by a qualified technician. Before attempting installation of the Air Horns, remove the keys from the vehicle ignition, and place wheel chocks on both sides of at least 2 wheels. Make sure engine and engine compartment is cool before beginning work.**

1. Lift the vehicle hood and find a suitable location to mount the Horns and Compressor. This location must shelter the Compressor (3) and Horns (1 and 2) from incoming rain, road water, and mud from under the vehicle. It also must be away from all moving engine parts and heat.
2. Using a Screw and Nut (7), mount the Compressor (3) to the vehicle chassis in a vertical position (air outlet facing up). A hole may need to be drilled in the chassis frame to accomplish this. Before drilling hole make sure the drill's path will not come in contact with hidden wiring or any other obstructions or vehicle components. The head of the screw slides into the Compressor mounting bracket. Securely tighten Nut.
3. Mount the Horns near the Compressor so that they are pointing forward and slightly down for maximum efficiency. The head of the screw slides into the Horn mounting bracket. Securely tighten Nut.



4. Mount the Electric Relay (5) to the chassis frame near the Compressor using a Screw and Nut. Securely tighten.
5. Connect the Compressor to the Horns using the Vinyl Tubing (4) and the Coupling (6). Do not fold or kink tubing.



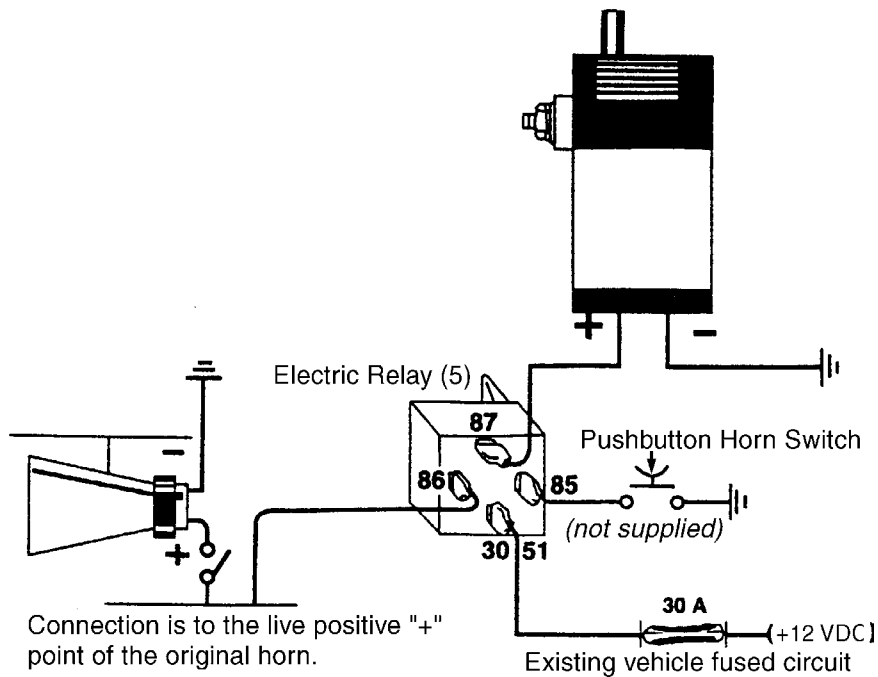
6. Make the connections to the Compressor (3) and the Electric Relay (5) as shown on the Wiring Diagram.

Always use vehicle terminal connectors (not supplied) on all connections.  
Never wrap wires around terminals as they could fall off. Connect terminal #30 on the Electric Relay (5) to a 30A fused circuit.

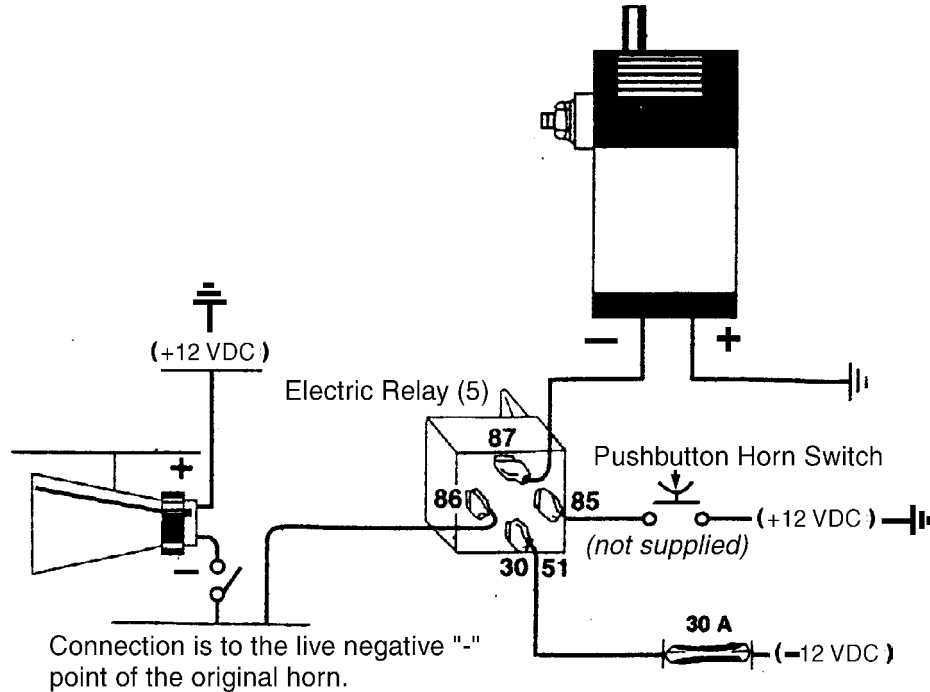
**Note:** Some vehicles may employ a positive ground. If this is the case, refer to Wiring Diagram Positive Ground. Pay attention to polarity. If the Compressor turns on and the Horns do not sound, reverse the Compressor connections (+ / -).

**Caution:** Use caution to prevent accidental short circuiting of power while performing installation.

### Wiring Diagram Negative Ground



## Wiring Diagram Positive Ground



### Maintenance

Periodically remove the Tubing from the top of the Compressor, then add a few drops of light oil to the air outlet. Energize the unit by pressing the pushbutton. This will allow any dirt to shoot out of the air outlet. Remove yourself from the Compressor air outlet to avoid being hit by flying debris.

#### PLEASE READ THE FOLLOWING CAREFULLY

THE MANUFACTURER AND/OR DISTRIBUTOR HAS PROVIDED THE PARTS DIAGRAM IN THIS MANUAL AS A REFERENCE TOOL ONLY. NEITHER THE MANUFACTURER NOR DISTRIBUTOR MAKES ANY REPRESENTATION OR WARRANTY OF ANY KIND TO THE BUYER THAT HE OR SHE IS QUALIFIED TO MAKE ANY REPAIRS TO THE PRODUCT OR THAT HE OR SHE IS QUALIFIED TO REPLACE ANY PARTS OF THE PRODUCT. IN FACT, THE MANUFACTURER AND/OR DISTRIBUTOR EXPRESSLY STATES THAT ALL REPAIRS AND PARTS REPLACEMENTS SHOULD BE UNDERTAKEN BY CERTIFIED AND LICENSED TECHNICIANS AND NOT BY THE BUYER. THE BUYER ASSUMES ALL RISK AND LIABILITY ARISING OUT OF HIS OR HER REPAIRS TO THE ORIGINAL PRODUCT OR REPLACEMENT PARTS THERETO, OR ARISING OUT OF HIS OR HER INSTALLATION OF REPLACEMENT PARTS THERETO.

## Free Manuals Download Website

<http://myh66.com>

<http://usermanuals.us>

<http://www.somanuals.com>

<http://www.4manuals.cc>

<http://www.manual-lib.com>

<http://www.404manual.com>

<http://www.luxmanual.com>

<http://aubethermostatmanual.com>

Golf course search by state

<http://golfingnear.com>

Email search by domain

<http://emailbydomain.com>

Auto manuals search

<http://auto.somanuals.com>

TV manuals search

<http://tv.somanuals.com>