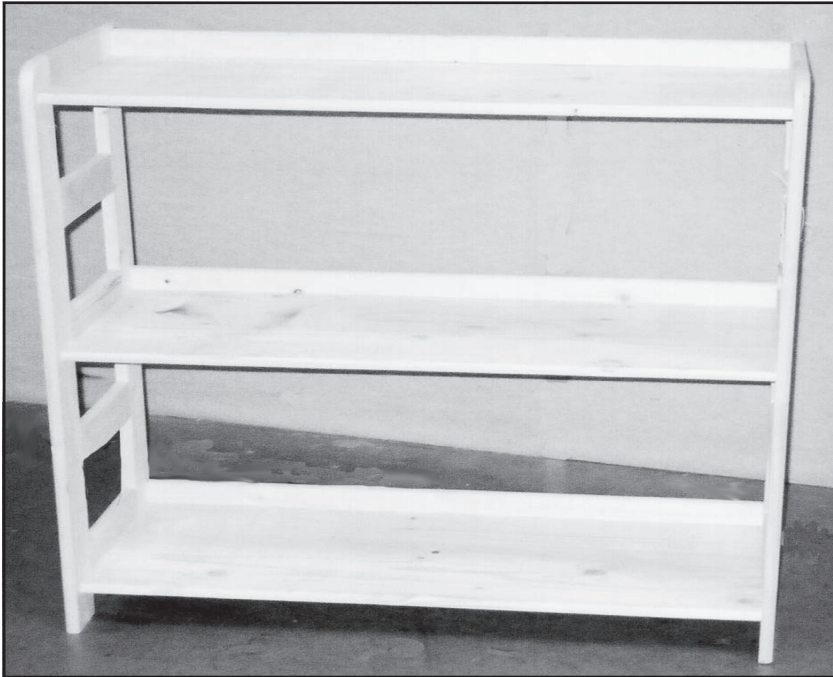


# 3 SHELF WOODEN RACK

**Model 91729**

## ASSEMBLY INSTRUCTIONS



3491 Mission Oaks Blvd., Camarillo, CA 93011

Visit our Web site at <http://www.harborfreight.com>

Copyright © 2004 by Harbor Freight Tools®. All rights reserved. No portion of this manual or any artwork contained herein may be reproduced in any shape or form without the express written consent of Harbor Freight Tools.

**For technical questions and replacement parts, please call 1-800-444-3353**

# Specifications

Overall Dimensions	35.25" High X 33" Long X 13" Wide X .5" Thick
Maximum Weight Capacity Per Shelf	30 Lbs.
Materials	Wood, Unfinished Wood Color
Weight	17 Lbs.

## Save This Manual

You will need the manual for the safety warnings and precautions, assembly instructions, operating and maintenance procedures, parts list and diagram. Keep your invoice with this manual. Write the invoice number on the inside of the front cover. Keep the manual and invoice in a safe and dry place for future reference.

## Safety Warnings and Precautions

**WARNING: When using this product, basic safety precautions should always be followed to reduce the risk of personal injury and damage to equipment.**

**Read all instructions before using this product!**

1. **Keep work area clean.** Cluttered areas invite injuries.
2. **Keep children away.** Children must never be allowed in the work area. Do not let children play on this product.
3. **Dress properly.** Do not wear loose clothing or jewelry as they can be caught in moving parts. Protective, electrically nonconductive clothes and nonskid footwear are recommended when working.
4. **Use eye and ear protection.** Always wear ANSI approved impact safety goggles when assembling this product. Goggles are available from Harbor Freight Tools.
5. **Do not overreach.** Keep proper footing and balance at all times. Two or more people are needed to assemble this product.
6. **Use the right tool for the job.** Do not attempt to force a small product or attachment to do the work of a larger industrial product. There are certain applications for which this product was designed. Do not modify this product and do not use this product for a purpose for which it was not intended.
7. **Stay alert.** Watch what you are doing, use common sense. Do not assemble this product when you are tired.
8. **Check for damaged parts.** Before using this product, any part that appears damaged should be carefully checked to determine that it will operate properly and perform its intended function. Check for loose parts and any other condition that may affect the operation of this product. Replace loose or worn parts immediately. Any part that is damaged should be properly repaired or replaced.

9. **Replacement parts.** When servicing, use only identical replacement parts. Use of any other parts will void the warranty.
10. **Warning:** Locate the 3 Shelf Wooden Rack in a spot that is flat without an uneven surface.
11. **Always distribute objects on Shelves evenly.** Uneven weight distribution could cause toppling. **Do not allow children to climb on the Shelves or play with the wooden rack.**

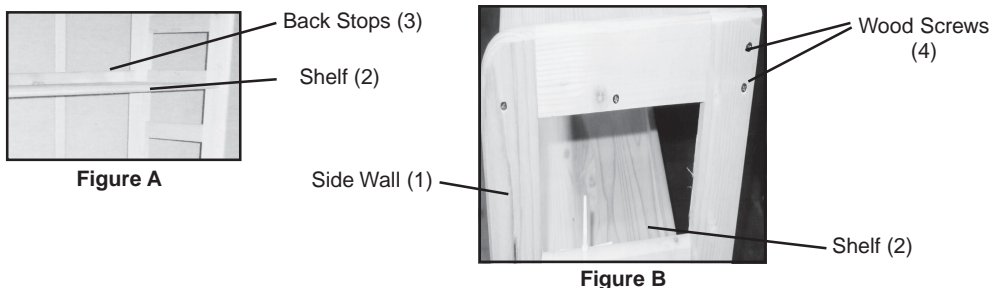
**Warning:** The warnings, cautions, and instructions discussed in this instruction manual cannot cover all possible conditions and situations that may occur. It must be understood by the operator that common sense and caution are factors which cannot be built into this product, but must be supplied by the operator.

## Unpacking

When unpacking, check to make sure the following parts are included. If any parts are missing or broken, please call Harbor Freight Tools at the number on the cover of this manual.

## Assembly Instructions

1. Assemble all parts on a smooth surface to avoid scratching. Hardware is provided.
2. Set the Side Walls (1) on the floor. Each Shelf (2) is to have the Back Stop (3) attached. If not preassembled, attach with Wood Screws (4) in the predrilled holes. (See Figure A).

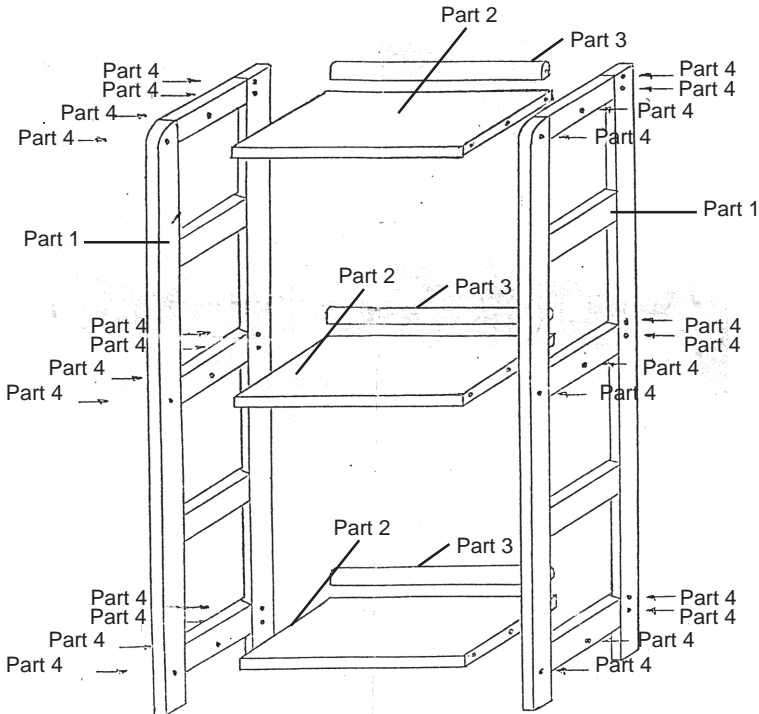


3. Attach each Side Wall (1) to the Three Shelves (2) with the Wood Screws (4) in the predrilled holes. Do not tighten Screws (4) completely until all the Shelves (2) are assembled. Check that all is level and then tighten all Screws (4). (See Figure B).
4. A varnish or stain may be applied after assembly. Avoid too much moisture on the shelving unless you use a waterproof bar finish. Avoid tipping assembled Shelves.

## Parts List

Part #	Description	Qty.
1	Side Wall	2
2	Shelf	5
3	Back Stop	5
4	Wood Screw	24

### Assembly Drawing



#### PLEASE READ THE FOLLOWING CAREFULLY

THE MANUFACTURER AND/OR DISTRIBUTOR HAS PROVIDED THE PARTS DIAGRAM IN THIS MANUAL AS A REFERENCE TOOL ONLY. NEITHER THE MANUFACTURER NOR DISTRIBUTOR MAKES ANY REPRESENTATION OR WARRANTY OF ANY KIND TO THE BUYER THAT HE OR SHE IS QUALIFIED TO MAKE ANY REPAIRS TO THE PRODUCT OR THAT HE OR SHE IS QUALIFIED TO REPLACE ANY PARTS OF THE PRODUCT. IN FACT, THE MANUFACTURER AND/OR DISTRIBUTOR EXPRESSLY STATES THAT ALL REPAIRS AND PARTS REPLACEMENTS SHOULD BE UNDERTAKEN BY CERTIFIED AND LICENSED TECHNICIANS AND NOT BY THE BUYER. THE BUYER ASSUMES ALL RISK AND LIABILITY ARISING OUT OF HIS OR HER REPAIRS TO THE ORIGINAL PRODUCT OR REPLACEMENT PARTS THERETO, OR ARISING OUT OF HIS OR HER INSTALLATION OF REPLACEMENT PARTS THERETO.

**NOTE:** Some parts are listed and shown for illustration purposes only and are not available individually as replacement parts.

## Free Manuals Download Website

<http://myh66.com>

<http://usermanuals.us>

<http://www.somanuals.com>

<http://www.4manuals.cc>

<http://www.manual-lib.com>

<http://www.404manual.com>

<http://www.luxmanual.com>

<http://aubethermostatmanual.com>

Golf course search by state

<http://golfingnear.com>

Email search by domain

<http://emailbydomain.com>

Auto manuals search

<http://auto.somanuals.com>

TV manuals search

<http://tv.somanuals.com>