



2000 LB. CAPACITY A-FRAME TRAILER JACK

Model 92626

SET UP AND OPERATING INSTRUCTIONS



Visit our website at: <http://www.harborfreight.com>



**Read this material before using this product.
Failure to do so can result in serious injury.
SAVE THIS MANUAL.**

Copyright© 2010 by Harbor Freight Tools®. All rights reserved. No portion of this manual or any artwork contained herein may be reproduced in any shape or form without the express written consent of Harbor Freight Tools. Diagrams within this manual may not be drawn proportionally. Due to continuing improvements, actual product may differ slightly from the product described herein. Tools required for assembly and service may not be included.

For technical questions or replacement parts, please call 1-800-444-3353.

Rev 11a

SAVE THIS MANUAL

Keep this manual for the safety warnings and precautions, assembly, operating, inspection, maintenance and cleaning procedures. Write the product's serial number in the back of the manual near the assembly diagram (or month and year of purchase if product has no number). Keep this manual and the receipt in a safe and dry place for future reference.

Important Safety Instructions

In this manual, on the labeling, and all other information provided with this product:



This is the safety alert symbol. It is used to alert you to potential personal injury hazards. Obey all safety messages that follow this symbol to avoid possible injury or death.

DANGER

DANGER indicates a hazardous situation which, if not avoided, will result in death or serious injury.

WARNING

WARNING indicates a hazardous situation which, if not avoided, could result in death or serious injury.

CAUTION

CAUTION, used with the safety alert symbol, indicates a hazardous situation which, if not avoided, could result in minor or moderate injury.

NOTICE

NOTICE is used to address practices not related to personal injury.

CAUTION

CAUTION, without the safety alert symbol, is used to address practices not related to personal injury.

General Tool Safety Warnings



WARNING Read all safety warnings and instructions.

Failure to follow the warnings and instructions may result in serious injury.

Save all warnings and instructions for future reference.
The term "tool" in the warnings refers to your Electric Trailer Jack.

1. Work area safety

Keep work area clean and well lit. *Cluttered or dark areas invite accidents.*

2. Personal safety

- a. **Stay alert, watch what you are doing and use common sense when operating a tool. Do not use a tool while you are tired or under the influence of drugs, alcohol or medication.** *A moment of inattention while operating tools may result in serious personal injury.*
- b. **Use personal protective equipment. Always wear eye protection.** *Safety equipment such as non-skid safety shoes or a hard hat used for appropriate conditions will reduce personal injuries.*
- c. **Do not overreach. Keep proper footing and balance at all times.**

This enables better control of the tool in unexpected situations.

- d. **Dress properly. Do not wear loose clothing or jewelry. Keep your hair, clothing and gloves away from moving parts.** *Loose clothes, jewelry or long hair can be caught in moving parts.*

3. Tool use and care

- a. **Do not force the tool. Do not attempt to lift more than the 2,000 lb. maximum lifting capacity of this tool.** *The correct tool will do the job better and safer at the rate for which it was designed.*
- b. **Store idle tools out of reach of children and do not allow persons unfamiliar with the tool or these instructions to operate it.** *Tools are dangerous in the hands of untrained users.*
- c. **Maintain tools. Check for misalignment or binding of moving parts, breakage of parts and any other condition that may affect the tool's operation. If damaged, have the tool repaired before use.** *Many accidents are caused by poorly maintained tools.*
- d. **Use the tool and accessories in accordance with these instructions, taking into account the working conditions and the work to be performed.** *Use of the tool for operations different from those intended could result in a hazardous situation.*

4. Service

- a. **Have your tool serviced by a qualified repair person using only identical replacement parts.** *This*

will ensure that the safety of the tool is maintained.

Specific Safety Warnings

1. Do not exceed 2000 Lb. capacity.
2. Use on flat, level, hard surface capable of supporting load.
3. Wear ANSI-approved safety goggles during use.
4. Prevent trailer wheels from moving by using wheel chocks while raising or lowering.
5. Before towing, fully raise trailer jack and secure properly.
6. Keep out from under jack and tongue when applying and releasing load, when jack is supporting load, or when moving trailer.
7. Inspect before use. Do not use if parts are loose or damaged.
8. Use in accordance with the Department of Transportation (DOT) regulations. Information about DOT regulations can be found at www.dot.gov/regulations.html
9. Read manual before installation and/or use.
10. Maintain labels and nameplates on the tool. These carry important safety information. If unreadable or missing, contact Harbor Freight Tools for a replacement.
11. This product is not a toy. Keep it out of reach of children.
12. Not for aircraft purposes.
13. Trailer Jack must always be retracted when towing the trailer.

14. The warnings, precautions, and instructions discussed in this instruction manual cannot cover all possible conditions and situations that may occur. It must be understood by the operator that common sense and caution are factors which cannot be built into this product, but must be supplied by the operator.

SAVE THESE INSTRUCTIONS.

Specifications

Weight Capacity	2000 lb.
Jack Lift	15"
Installation	Bolt on or Weld on Mounting
Handle	Rotates 360 degrees
Height	24-1/4"

UNPACKING

When unpacking, make sure item is intact and undamaged. If parts are missing or broken, call Harbor Freight Tools at 1-800-444-3353.

Installation / Assembly



Read the **ENTIRE IMPORTANT SAFETY INFORMATION** section at the beginning of this manual including all text under subheadings therein before set up or use of this product.

Note: For additional information regarding the parts listed in the following pages, refer to the Assembly Diagram near the end of this manual.

Installation

1. Secure the unloaded trailer with wheel chocks (blocks) on a hard, flat surface capable of supporting the weight of the trailer, trailer jack and required tools.
2. Raise the trailer tongue and secure it with two supports, one on each side of the trailer tongue.
3. This Trailer Jack is designed **specifically for use with an A-frame hitch**. Never attempt to mount this Trailer Jack to a hitch or trailer

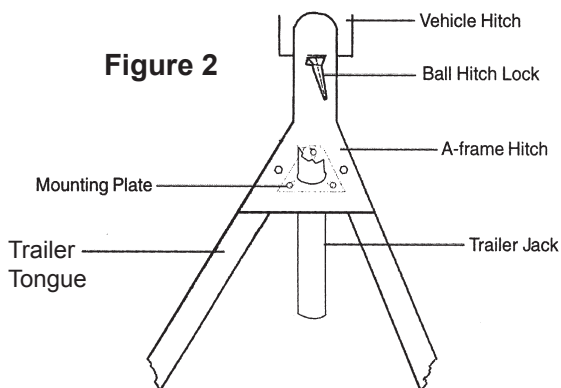
not specifically designed for it. An example of an A-frame hitch is shown in Figure 1.

Figure 1

Example of hitch (not included)



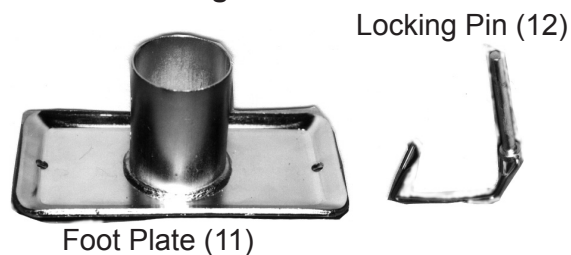
4. Insert the top of the Trailer Jack up through the hole in the center of the A-frame hitch until the mounting plate rests against the hitch. Line up the holes on the mounting plate with the holes in the A-frame hitch. See Figure 2.



Assembly

1. Raise the Trailer Jack to its uppermost position. Insert the Foot Plate (11) over the bottom of the Inner Tube (2).
2. Insert the Locking Pin (12) to secure the Foot Plate in place. See Figure 3 below and the assembly diagram on page 9.

Figure 3



3. Secure the Trailer Jack to the trailer tongue using 3/8" diameter bolts, washers, nuts and lock washers (not included). Nylon insert nuts (not included) may be used instead of the nut and lock washer mentioned. Securely tighten all nuts and bolts into place. Bolts must be of a length so that at least 4 threads of the Bolt tip are exposed below attached Nut.
4. **WARNING!** Bolts must be Grade 5 strength capable of holding the Trailer Jack in place while under load.
5. Optionally, the mounting plate may be welded into place on the underside of the hitch by a certified welder.
6. Once the Jack is mounted to the trailer tongue, attach the Handle (10) to the top of the Trailer Jack. Secure in place with Bolt (7), Lock Nut (8) and Screw (9). Securely tighten all hardware.

7. Now that the Trailer Jack is fully assembled, test it by raising the hitch enough to remove the supports inserted in Step 2 on page 4.

Operation



Read the ENTIRE IMPORTANT SAFETY INFORMATION section at the beginning of this manual including all text under subheadings therein before set up or use of this product.

1. With the Handle (10) pulled out so that the knob is on top, turn the Handle clockwise. This will raise the Trailer Jack. Once the trailer is at the desired height, fold the Handle over so that the knob is facing downward. This will lock the Handle in place.
2. To lower a load, turn the Handle counterclockwise. This will lower the Trailer Jack. Flip the Handle up and over when completed to lock the Jack in place.
3. Secure the trailer in place with wheel chocks (blocks) on a stable, flat and level surface.
4. Turn the vehicle ignition off and set the brake.
5. Turn the Handle clockwise to lower the Foot Plate (11) to the ground. When the weight is carried by the jack, unlatch the hitch and continue turning clockwise until the trailer tongue is lifted completely off the hitch ball.
6. The vehicle can now be moved in a forward direction. Level the trailer by turning the Handle.
7. Carefully back your vehicle into place within a foot or two of the trailer tongue.
8. Raise the Trailer Jack until the hitch is in a position to clear or fit over the hitch ball.
9. With assistance, roll the Trailer or the vehicle into position so that the trailer hitch is directly over the ball hitch.
10. Turn the Handle counterclockwise to lower the trailer tongue until it is firmly seated on the ball hitch. Tighten the trailer hitching mechanism.
11. Continue turning the Handle counterclockwise until the Trailer Jack is fully raised.

User Maintenance



Procedures not specifically explained in this manual must be performed only by a qualified technician.

⚠️ WARNING TO PREVENT SERIOUS INJURY

FROM TOOL FAILURE:
Do not use damaged equipment. If abnormal noise or vibration occurs, have the problem corrected before further use.

Cleaning and Maintenance

1. **BEFORE EACH USE**, inspect the general condition of the Trailer Jack. Check for loose hardware, misalignment or binding of moving parts, cracked or broken parts, and any other condition that may affect its safe operation.
2. If welded, check welds for cracks.
3. If the Trailer Jack has been exposed to salt water, immediately wash off with fresh water. Then use a light oil to lubricate all moving parts.
4. **AFTER USE**, wipe external surfaces of the tool with a clean cloth.

PLEASE READ THE FOLLOWING CAREFULLY

THE MANUFACTURER AND/OR DISTRIBUTOR HAS PROVIDED THE PARTS LIST AND ASSEMBLY DIAGRAM IN THIS MANUAL AS A REFERENCE TOOL ONLY. NEITHER THE MANUFACTURER OR DISTRIBUTOR MAKES ANY REPRESENTATION OR WARRANTY OF ANY KIND TO THE BUYER THAT HE OR SHE IS QUALIFIED TO MAKE ANY REPAIRS TO THE PRODUCT, OR THAT HE OR SHE IS QUALIFIED TO REPLACE ANY PARTS OF THE PRODUCT. IN FACT, THE MANUFACTURER AND/OR DISTRIBUTOR EXPRESSLY STATES THAT ALL REPAIRS AND PARTS REPLACEMENTS SHOULD BE UNDERTAKEN BY CERTIFIED AND LICENSED TECHNICIANS, AND NOT BY THE BUYER. THE BUYER ASSUMES ALL RISK AND LIABILITY ARISING OUT OF HIS OR HER REPAIRS TO THE ORIGINAL PRODUCT OR REPLACEMENT PARTS THERETO, OR ARISING OUT OF HIS OR HER INSTALLATION OF REPLACEMENT PARTS THERETO.

Parts List

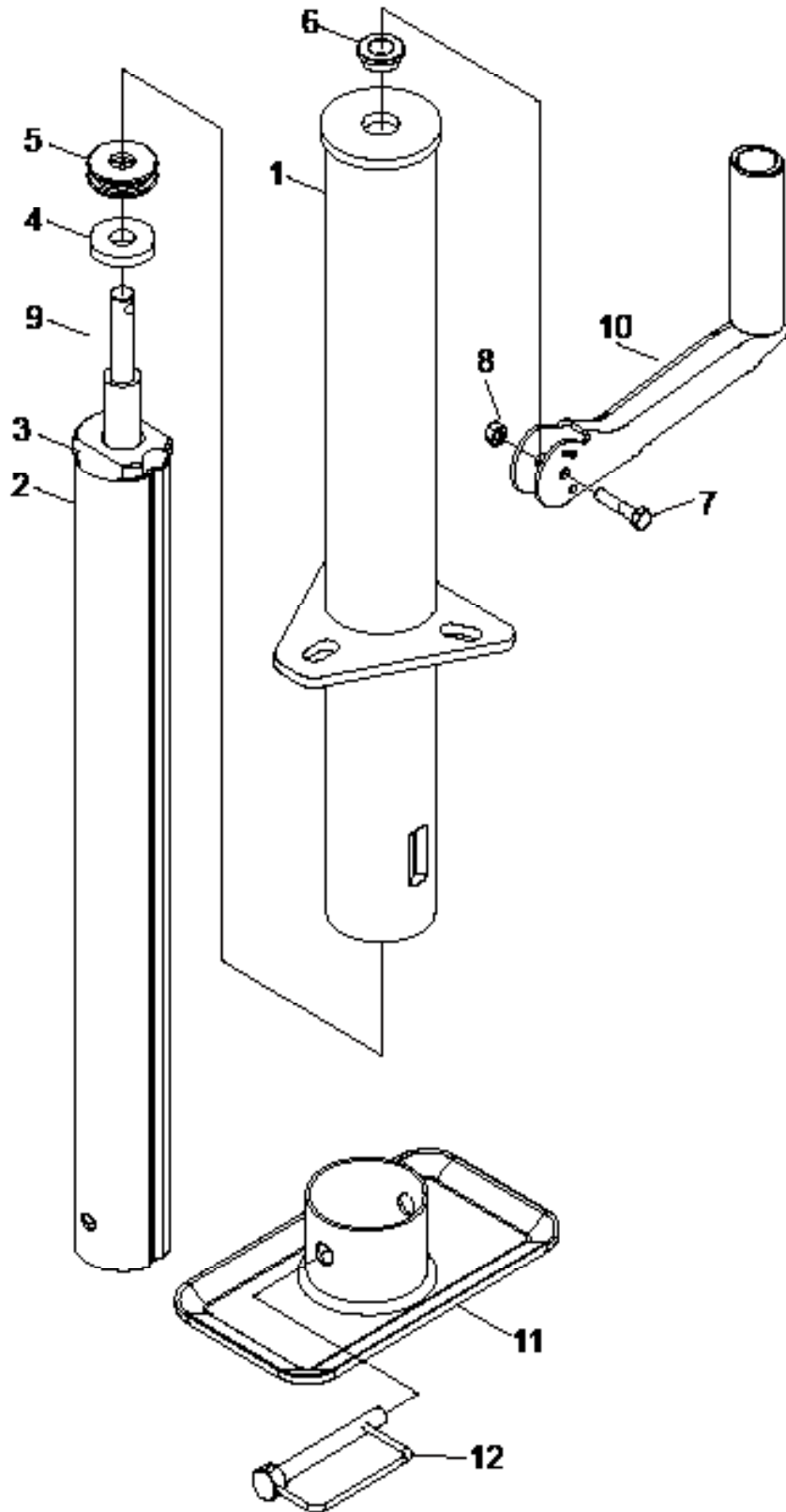
Part	Description	Qty
1	Outer Tube	1
2	Inner Tube	1
3	Nut	1
4	Washer	1
5	Bearing	1
6	Bushing	1
7	Bolt (M6 x 25)	1
8	Lock Nut M6	1
9	Screw Rod	1
10	Handle	1
11	Foot Plate	1
12	Lock Pin	1

Record Product's Serial Number Here: _____

Note: If product has no serial number, record month and year of purchase instead.

Note: Some parts are listed and shown for illustration purposes only, and are not available individually as replacement parts.

Assembly Diagram



Limited 90 Day Warranty

Harbor Freight Tools Co. makes every effort to assure that its products meet high quality and durability standards, and warrants to the original purchaser that this product is free from defects in materials and workmanship for the period of 90 days from the date of purchase. This warranty does not apply to damage due directly or indirectly, to misuse, abuse, negligence or accidents, repairs or alterations outside our facilities, criminal activity, improper installation, normal wear and tear, or to lack of maintenance. We shall in no event be liable for death, injuries to persons or property, or for incidental, contingent, special or consequential damages arising from the use of our product. Some states do not allow the exclusion or limitation of incidental or consequential damages, so the above limitation of exclusion may not apply to you. THIS WARRANTY IS EXPRESSLY IN LIEU OF ALL OTHER WARRANTIES, EXPRESS OR IMPLIED, INCLUDING THE WARRANTIES OF MERCHANTABILITY AND FITNESS.

To take advantage of this warranty, the product or part must be returned to us with transportation charges prepaid. Proof of purchase date and an explanation of the complaint must accompany the merchandise. If our inspection verifies the defect, we will either repair or replace the product at our election or we may elect to refund the purchase price if we cannot readily and quickly provide you with a replacement. We will return repaired products at our expense, but if we determine there is no defect, or that the defect resulted from causes not within the scope of our warranty, then you must bear the cost of returning the product.

This warranty gives you specific legal rights and you may also have other rights which vary from state to state.



3491 Mission Oaks Blvd. PO Box 6009 Camarillo, CA 93011 (800) 444-3353

Free Manuals Download Website

<http://myh66.com>

<http://usermanuals.us>

<http://www.somanuals.com>

<http://www.4manuals.cc>

<http://www.manual-lib.com>

<http://www.404manual.com>

<http://www.luxmanual.com>

<http://aubethermostatmanual.com>

Golf course search by state

<http://golfingnear.com>

Email search by domain

<http://emailbydomain.com>

Auto manuals search

<http://auto.somanuals.com>

TV manuals search

<http://tv.somanuals.com>