

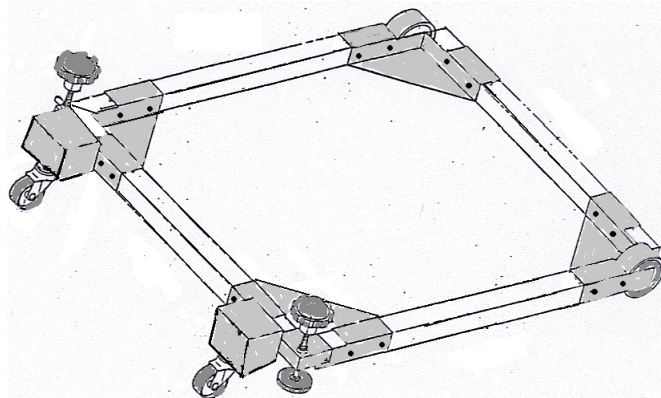
# CENTRAL MACHINERY

®

## MOBILE BASE / 300 LBS CAPACITY

### MODEL 95288

#### ASSEMBLY AND OPERATING INSTRUCTIONS



Due to continuing improvements, actual product may differ slightly from the product described herein.



3491 Mission Oaks Blvd. Camarillo, CA 93011  
Visit our Web site at <http://www.harborfreight.com>

Copyright© 2006 by Harbor Freight Tools®. All rights reserved. No portion of this manual or any artwork contained herein may be reproduced in any shape or form without the express written consent of Harbor Freight Tools.

For Technical questions and replacement parts, please call 1-800-444-3353.

## SPECIFICATIONS

<b>BRACKETS:</b>	Formed steel
<b>FINISH:</b>	Black enamel
<b>SWIVEL CASTERS:</b>	Black PVC, (2")
<b>PAD KNOBS:</b>	Black Polypropylene
<b>WHEELS:</b>	Black PVC, (3")
<b>NET WEIGHT:</b>	11.65 LBS.
<b>WEIGHT CAPACITY:</b>	300 LBS.

## SAVE THIS MANUAL

You will need this manual for the safety warnings and precautions, assembly, operating, inspection, maintenance and cleaning procedures, parts and assembly diagram. Keep your invoice with this manual. Write the invoice number on the inside of the front cover. Write the products serial number in the back of the manual near the assembly diagram, or write the month and year of purchase if the product has no serial number. Keep this manual and invoice in a safe and dry place for future reference.

## SAFETY WARNINGS AND PRECAUTIONS

**Warning:** When using this tool, basic safety precautions should always be followed to reduce the risk of personal injury and/or damage to the equipment.

### READ ALL INSTRUCTIONS BEFORE USING THIS PRODUCT

1. **Keep floor and work area clean; cluttered work areas invite injuries.**
2. **Keep children away.** Children can be a distraction. Children should never be allowed to play or loiter around work area. Do not let children ever play with, or ride on this Mobile Base.
3. **Keep work area well lighted.** Do not use in an area where you cannot see physical barriers when moving this tool.
4. **Dress properly.** When working around Wheels and Casters, wear hard leather shoes. Always wear ANSI-Approved Impact Safety Goggles.

### SAFETY WARNINGS SPECIFIC TO THIS MOBILE BASE

1. Do not exceed the weight capacity of 300 LBS. for the Mobile Base.
2. Do not use the Mobile Base on any surface with a slope, or dip, such as a driveway. It is to be used ONLY on a flat, level, smooth surface. Move the Mobile Base slowly when it is loaded with a tool.
3. The Mobile Base is not designed as a furniture mover. Do not modify this product or use it for any purpose other than that for which it is meant.
4. Be sure to unplug any electrical attachment before attempting to move this Mobile Base.
5. Before using, lock or tie down any pivoting or moving parts on the tool (to be moved), such as the arm on a band saw.
6. Do not leave the Wheels on the Mobile Base unlocked. (Pad Knob (4), rotated to "up" position)
7. Properly secure the Mobile Base to the tool being used, before moving it.

**CAUTION:** Be aware of dynamic loading. Movement of the Mobile Base under load, or a load dropping onto the Mobile Base could create a momentary load exceeding the load capacity of 300 LBS., which could result in damage to the Mobile Base, and/or personal injury.

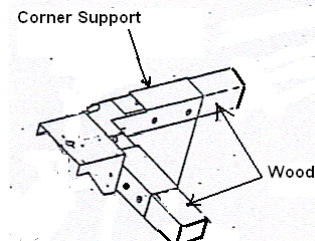
**WARNING:** The warnings, cautions, and instructions discussed in this instruction manual cannot cover all possible conditions and situations that may occur. It must be understood by the operator that common sense and caution are factors that cannot be built into this product but must be supplied by the operator.

## UNPACKING

When unpacking, check to make sure all parts listed on page 6 of this manual are included. If any parts are missing or broken, please call Harbor Freight Tools® as soon as possible.

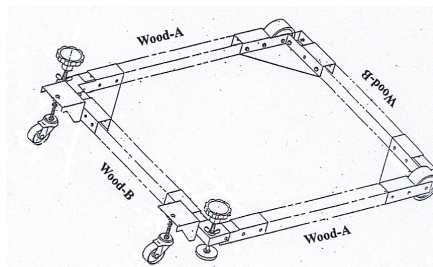
## ASSEMBLY INSTRUCTIONS

1. The Corner Supports (1) will fit wood pieces (not included) of varying lengths, depending on the size of the tool to be moved. The sides of the wood should measure 1-1/4"W X 1-1/4"H in order to slide into the openings in the Corner Supports (1), (Illustration 1).



(Illustration 1)

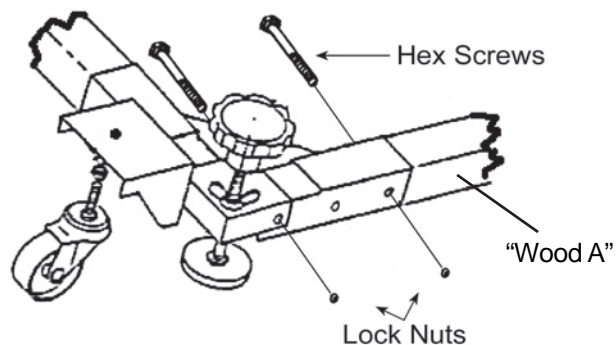
2. Mobile Base length would be the length of the tool to which it is to be attached, minus 1-3/4". This is known as, "Wood-A", (not included), (Illustration 2).
3. Mobile Base width would be the width of the tool to which it is to be attached plus 5/8". This is known as, "Wood-B", (not included), (Illustration 2).



(Illustration 2)

**Warning: Be aware when adding wood pieces to corner supports. This Mobile Base, like any tool has its limitations. Do not overbuild or overload. Always keep in mind the Weight Capacity and the Base size of the tool you wish to load onto this Mobile Base.**

4. Use 3/8" drill bit (not included) to drill four holes, two one each side of the ends of "Wood A". Use the pre-drilled holes located in the sides of the Corner Supports as guides for where to drill the holes for the Hex Screws. Push one Hex HD Screw (11), through each hole with the head of the Screw on the inside of the Corner Support (1), and the Lock Nut (16) on the outside, (Illustration 3).



(Illustration 3)

5. Repeat for each of the four Corner Supports (1).

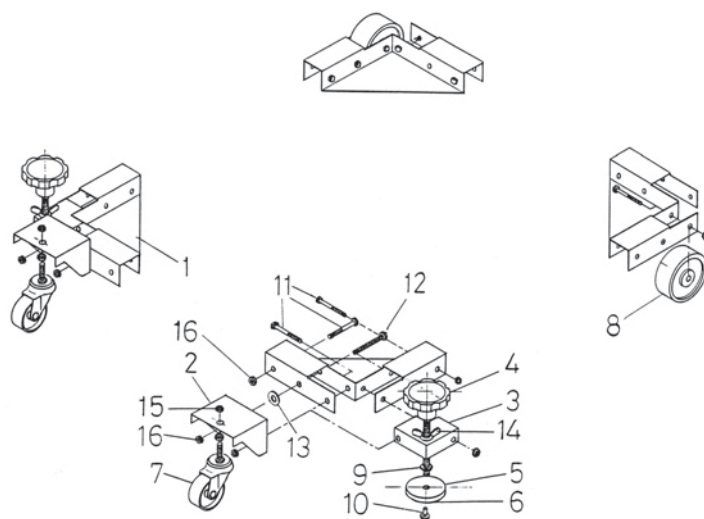
**NOTE:** Once assembled, check each of the Corner Supports (1), and all Hex Screws (11), and Lock Nuts (16) to make sure all parts are assembled correctly and the Mobile Base is stable. Always check for any damaged or worn parts.

**NOTE:** Many parts listed and shown are for location illustration only and are not available for replacement parts.

## PARTS LIST

No#	Description	QTY
1	Corner Support	4
2	Casters Bracket	2
3	Pad Bracket	2
4	Pad Knob	2
5	Pad Cover	2
6	Plastic Pad	2
7	2" Swivel Caster	2
8	3" Wheel	2
9	Screw Bolt	2
10	Rivet	2
11	Hex Head Screw M8 x 50	16
12	Hex Head Bolt M8 x 55	4
13	Flash Washer M8	2
14	Wing Nut 1/2"	2
15	Hex Nut 3/8" - 16NC	4
16	Nylon Lock Nut M8	20

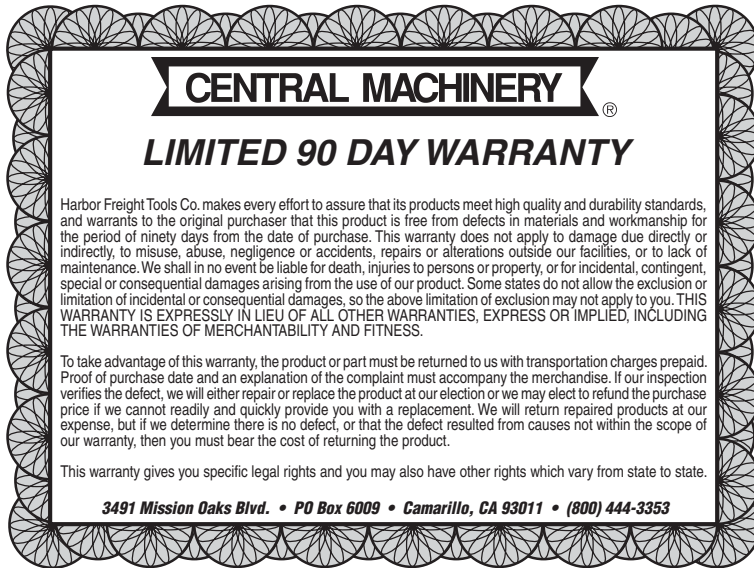
## DIAGRAM



### PLEASE READ CAREFULLY

The Manufacturer and/or Distributor have provided the Parts Breakdown and Assembly Diagram in this Manual as a reference tool only. This Tool is not meant to be disassembled by anyone other than a QUALIFIED REPAIR FACILITY. Neither the Manufacturer and/or the Distributor make any representation or warranty of any kind to the Buyer that He or She are qualified to make any repairs to the product represented in this Manual. In fact, the Manufacturer and/or the Distributor expressly states that all repairs and parts replacement should be undertaken by CERTIFIED AND LICENSED TECHNICIANS, and NOT by the Buyer. The Buyer assumes all risk and liability arising out of His or Her repairs to the original product or the replacement parts thereto, or arising out of His or Her installation of replacement parts thereto.

# WARRANTY



## Free Manuals Download Website

<http://myh66.com>

<http://usermanuals.us>

<http://www.somanuals.com>

<http://www.4manuals.cc>

<http://www.manual-lib.com>

<http://www.404manual.com>

<http://www.luxmanual.com>

<http://aubethermostatmanual.com>

Golf course search by state

<http://golfingnear.com>

Email search by domain

<http://emailbydomain.com>

Auto manuals search

<http://auto.somanuals.com>

TV manuals search

<http://tv.somanuals.com>