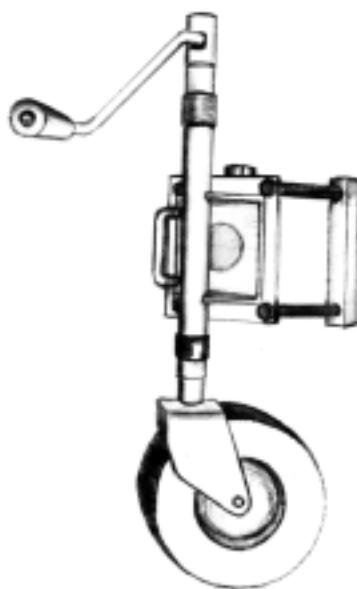


HAUL-MASTER™



Swing Back-1000 Lb. Trailer Jack

Model 41005



Assembly & Operating Instructions



3491 Mission Oaks Blvd. / Camarillo, CA 93011

www.HarborFreight.com

Copyright ©1999 by Harbor Freight Tools®. All Rights Reserved.
No portion of this manual or any artwork contained herein may be reproduced in any manner, shape or form without the express written consent of Harbor Freight Tools.

For technical questions and replacement parts, please call 1-800-444-3353.

SPECIFICATIONS MODEL # 41005 TRAILER JACK

Weight Capacity:	1000 Lbs.
Minimum Height:	23"
Maximum Height:	33-1/2"
Lift Distance:	10-1/4"
Caster Wheel:	5-3/4" Hard Poly
Swivel Capacity:	360°
Material:	Zinc-plated Steel
Overall Dimensions:	11-1/4"L x 6-1/4"W x 23"H

FEATURES OF THIS TRAILER JACK

1. Strong Zinc-plated steel construction, with hard poly caster wheel.
2. Lockable swivel base for convenient towing and jacking.
3. Side crank makes lifting trailer very easy.
4. Caster wheel eases moving of trailer without tow vehicle.
5. Enclosed screw for low- maintenance.
6. Bolt-on mounting does not require welding.

SAVE THIS MANUAL

You will need this manual for the safety warnings and cautions, assembly instructions, operating procedures, maintenance procedures, trouble shooting, parts list, and diagram. Keep your invoice with this manual. Write the invoice number on the inside of the front cover. Keep both this manual and your invoice in a safe, dry place for future reference.

NOTICE

The Warnings, Cautions, and Instructions discussed in this instruction manual cannot cover all possible conditions and situations that may occur. It must be understood by the operator that common sense and caution are factors which cannot be built into this product, but must be supplied by the operator.

SPECIAL WARNINGS WHEN USING THIS TRAILER JACK

Using this Jack may create special hazards.

Take particular care to safeguard yourself and those around you.

- 1. Roll Away.** Avoid situations which allow the trailer to roll away on the caster wheel and trailer wheels. If using the trailer jack on an incline, be sure to chock the wheels. Never leave the trailer unattended while on the jack if possibility of roll-away exists.
- 2. Swivel Failure.** The swivel is very strong and exceeds the stated capacity of the jack. However abuse, corrosion or damage may cause the swivel to break. Regularly inspect the swivel for damage, and discontinue use if the swivel is damaged.
- 3. Loose Mounting Plates or Hardware.** Never operate this Trailer Jack if the mounting hardware is not secure on the tongue of the trailer. Regularly inspect the hardware for proper assembly.
- 4. Overloading.** Never attempt to lift or support loads in excess of the rated strength of this Trailer Jack. Sudden failure of the Jack may result in serious personal or property injury.
- 5. Swing up before driving.** Always check to be sure that the Jack is properly swung up into its raised position before driving. Driving with the Jack lowered can cause serious damage to property.
- 6. Dolly on uneven surfaces.** The Caster Wheel on this Jack makes moving your trailer without a vehicle convenient. However, moving the trailer on uneven or soft surfaces could create a dynamic loading condition where the rated load capacity is exceeded; this condition could possibly cause failure, property damage, and/or injury.
- 7. Not to be used for aircraft purposes.**

NOTICE: No list of warnings can be all inclusive. The operator must supply common sense, and operate this tool in a safe manner.

MAINTENANCE

If you discover any damage, repair or replace any damaged parts before using your Trailer Jack.

1. Regularly inspect the Swivel Handle springs and locking pins to be sure they will properly engage and lock the Jack in either up or down position.
2. Keep the Swivel Plate lubricated with light grease. Inspect it regularly for damage.
3. Keep the Crank mechanism and inner tube lightly greased. Assure that this mechanism functions smoothly.
4. Inspect the Caster Wheel Assembly regularly for damage. Keep the axle lightly lubricated.
5. Check the Mounting Hardware regularly to assure they are tight and the Jack is firmly attached to the trailer tongue.
6. Inspect the entire unit for corrosion which may be caused by exposure to salt water or weather. Rinse thoroughly and re-lubricate after being immersed in salt water.
7. Keep all moving parts lightly lubricated to prevent corrosion. If corrosion develops, you may paint exterior parts of the Jack to arrest and prevent further damage.

PLEASE READ THE FOLLOWING CAREFULLY

THE MANUFACTURER AND/OR DISTRIBUTOR HAS PROVIDED THE PARTS DIAGRAM IN THIS MANUAL AS A REFERENCE TOOL ONLY: NEITHER THE MANUFACTURER NOR DISTRIBUTOR MAKES ANY REPRESENTATION OR WARRANTY OF ANY KIND TO THE BUYER THAT HE OR SHE IS QUALIFIED TO MAKE ANY REPAIRS TO THE PRODUCT OR THAT HE OR SHE IS QUALIFIED TO REPLACE ANY PARTS OF THE PRODUCT: IN FACT THE MANUFACTURER AND/OR DISTRIBUTOR EXPRESSLY STATES THAT ALL REPAIRS AND PARTS REPLACEMENTS SHOULD BE UNDERTAKEN BY CERTIFIED AND LICENSED TECHNICIANS AND NOT BY THE BUYER. THE BUYER ASSUMES ALL RISK AND LIABILITY ARISING OUT OF HIS OR HER REPAIRS TO THE ORIGINAL PRODUCT OR REPLACEMENT PARTS THERETO, OR ARISING OUT OF HIS OR HER INSTALLATION OF REPLACEMENT PARTS THERETO.

INSTALLATION

WARNING: The trailer tongue must be square or rectangular in profile for this Jack to mount properly. A rounded tongue will allow the Jack to rotate to the side causing the trailer to fall suddenly, causing potentially serious personal or property injury.

NOTE: Do not drill holes or otherwise damage the trailer tongue when installing this Jack. Failure of the trailer tongue may result.

NOTE: Installing this Jack is most easily done with the Trailer mounted on the towing vehicle hitch.

1. Measure the trailer tongue for the best location to mount the Jack. Remember that the Jack must not interfere with the Vehicle or trailer when turning or passing over speed bumps, boat ramps, etc.
2. Adjust the Swivel Plate so the Jack is in the lowered position.
3. Hold the Jack against the trailer tongue, and using the Jack Handle (#9), lower the Inner Tube (#6) and Caster Wheel (#7) to the ground.
4. Using the (4) Hardware sets (#2) and (2) Mounting Bars (#5), attach the Jack to the trailer tongue. The Mounting Bars must run across (perpendicular) to the trailer tongue. ***NOTE: You may wish to use some removable thread locking compound on the bolt threads to help secure them.***
5. Test the operation of the Trailer Jack. Make adjustments if necessary.
6. Tighten the mounting hardware firmly.

OPERATION

Dismounting the trailer from the towing vehicle.

WARNING: Before dismounting, make sure the trailer wheels are properly chocked to prevent the trailer from rolling.

1. With the trailer on the hitch, pull the Swivel Handle (#8), allowing the Jack to rotate downwards.

WARNING: Keep your fingers away from the Swivel Plate area, and do not allow the caster to strike your foot, as the Jack rotates downward.

2. Assure that the Swivel Handle pins are in place, locking the Jack into the lowered position.
3. Rotate the Jack Handle (#9) counterclockwise to lower the Caster Wheel Assembly (#7) to the ground. Continue to crank just enough for the Trailer Jack to take the weight of the trailer. This will make it easier to disengage the trailer hitch.
4. Disengage the trailer hitch. Remember to disengage any safety chains, electrical connections and other connections between the vehicle and the trailer.
5. When the vehicle is completely clear, and it is safe to do so, drive the vehicle away from the trailer.

WARNING: Be sure to have a spotter watch this operation to be sure the trailer is clear of the vehicle, and that the trailer does not roll away.

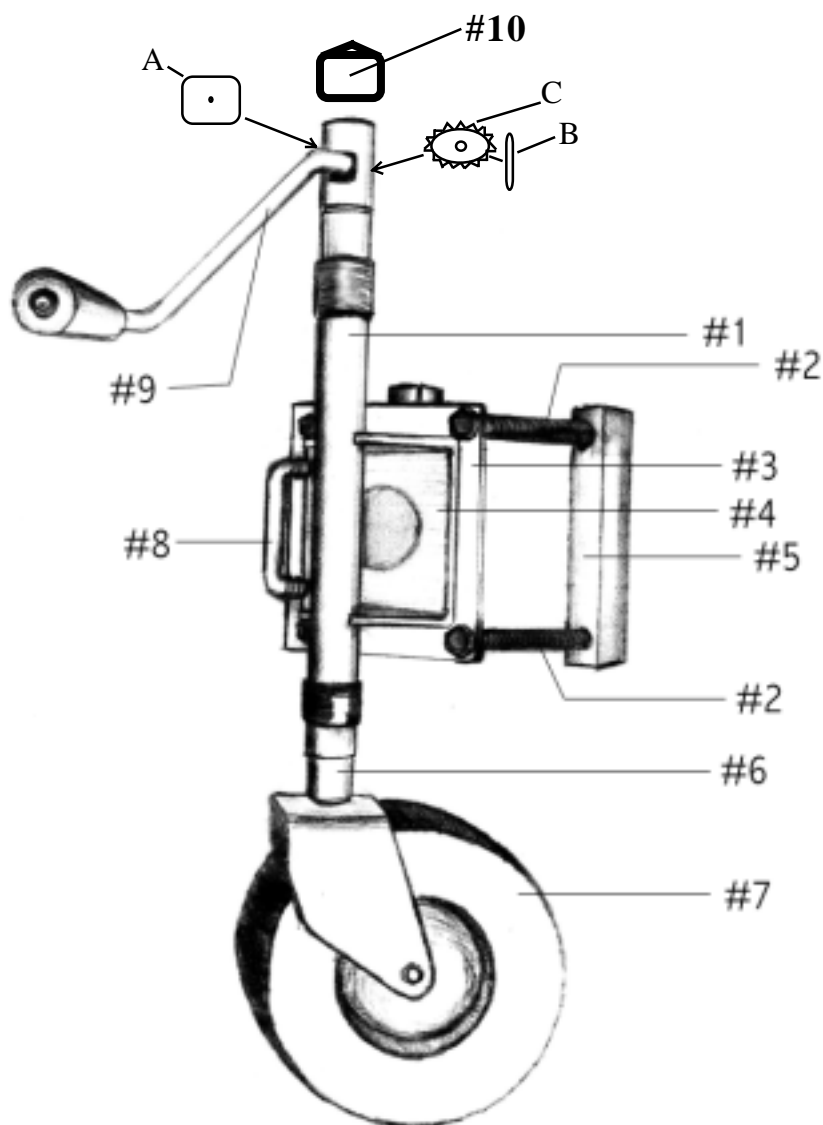
Using the Jack to mount the trailer to the towing vehicle.

WARNING: Do not attempt to lift the trailer tongue if it is too heavy for you.

NOTE: You may need assistance for some parts of this operation.

1. If the trailer tongue is resting on the ground, pull the Swivel Handle (#8) allowing the Trailer Jack to rotate downward. ***Keep your fingers clear.***
2. If you are able, lift the trailer tongue, while the Jack rotates into the lowered position.
3. Pull the Swivel Handle out, then re-engage the pins, locking the Jack into the lowered position.
4. Rotate the Jack Handle (#9) clockwise to raise the trailer to the level of the towing vehicle's hitch.
5. Have an assistant spot for you as you move the vehicle close to the trailer. Or, if on smooth ground, roll the trailer to the vehicle.
6. Mount the trailer onto the towing vehicle's hitch.
7. Turn the Jack Handle counterclockwise to raise the Jack slightly, transferring the trailer weight onto the towing vehicle.
8. Pull out the Swivel Handle, and rotate the Jack into its upright position. Be sure that the Swivel Handle locking pins are fully engaged before driving away.

MODEL # 41005 TRAILER JACK



MODEL # 41005 TRAILER JACK PARTS LIST

Part #	Description	Part #	Description
1	Outer Tube	A	Crankshaft Plate
2	Mounting Hardware (4 sets)	B	Gear Pin
3	Mounting Plate	C	Gear
4	Swivel Plate		
5	Mounting Bar (2)		
6	Inner Tube		
7	Caster Wheel Assembly		
8	Swivel Handle		
9	Jack handle		
10	Plastic Cap		

Free Manuals Download Website

<http://myh66.com>

<http://usermanuals.us>

<http://www.somanuals.com>

<http://www.4manuals.cc>

<http://www.manual-lib.com>

<http://www.404manual.com>

<http://www.luxmanual.com>

<http://aubethermostatmanual.com>

Golf course search by state

<http://golfingnear.com>

Email search by domain

<http://emailbydomain.com>

Auto manuals search

<http://auto.somanuals.com>

TV manuals search

<http://tv.somanuals.com>