

# PITTSBURGH<sup>®</sup> AUTOMOTIVE *Heavy Duty*

## 2-1/2, 3 and 4 Ton Service Jacks

### Specifications

#### 68048 3 Ton Service Jack

|                 |                    |
|-----------------|--------------------|
| Weight Capacity | 3 Tons (6,000 lb.) |
| Maximum Height  | 18-1/4"            |
| Minimum Height  | 5"                 |

#### 68049 2-1/2 Ton Low Profile Service Jack

|                 |                      |
|-----------------|----------------------|
| Weight Capacity | 2.5 Tons (5,000 lb.) |
| Maximum Height  | 20-1/16"             |
| Minimum Height  | 2-7/8"               |

#### 68056 4 Ton Service Jack

|                 |                    |
|-----------------|--------------------|
| Weight Capacity | 4 Tons (8,000 lb.) |
| Maximum Height  | 20-1/2"            |
| Minimum Height  | 4"                 |



When unpacking, make sure that the product is intact and undamaged. If any parts are missing or broken, please call Harbor Freight Tools at 1-800-444-3353 as soon as possible.

**Record Product's Serial Number Here:** \_\_\_\_\_

**Note:** If product has no serial number, record month and year of purchase instead.

**Note:** Some parts are listed and shown for illustration purposes only, and are not available individually as replacement parts.

**Visit our website at:** <http://www.harborfreight.com>

Copyright© 2010 by Harbor Freight Tools®. All rights reserved. No portion of this manual or any artwork contained herein may be reproduced in any shape or form without the express written consent of Harbor Freight Tools. Diagrams within this manual may not be drawn proportionally. Due to continuing improvements, actual product may differ slightly from the product described herein. Tools required for assembly and service may not be included.

## Save This Manual

Keep this manual for the safety warnings and precautions, assembly, operating, inspection, maintenance and cleaning procedures. Write the product's serial number on the front page of the user's manual (or month and year of purchase if product has no number). Keep this manual and the receipt in a safe and dry place for future reference.

## Important Safety Information

In this manual, on the labeling, and all other information provided with this product:



This is the safety alert symbol. It is used to alert you to potential personal injury hazards. Obey all safety messages that follow this symbol to avoid possible injury or death.

### **⚠ DANGER**

DANGER indicates a hazardous situation which, if not avoided, will result in death or serious injury.

### **⚠ WARNING**

WARNING indicates a hazardous situation which, if not avoided, could result in death or serious injury.

### **⚠ CAUTION**

CAUTION, used with the safety alert symbol, indicates a hazardous situation which, if not avoided, could result in minor or moderate injury.

### **NOTICE**

NOTICE is used to address practices not related to personal injury.

### **CAUTION**

CAUTION, without the safety alert symbol, is used to address practices not related to personal injury.

### **NOTICE**

There may be some slight differences in the appearance of the various manually-operated floor jacks, however the instructions in this manual apply to all of such jacks provided by Harbor Freight Tools.

## Safety Warnings



**WARNING** Read all safety warnings and instructions. Failure to heed these markings may result in personal injury and/or property damage.

1. Study, understand, and follow all instructions before operating this device.
2. Do not exceed rated capacity.
3. Use only on hard, level surfaces.
4. Lifting device only. Immediately after lifting, support the vehicle with appropriate means.
5. Do not move or dolly the vehicle while on the jack.
6. Failure to heed these markings may result in personal injury and/or property damage.
7. Lift only areas of the vehicle as specified by the vehicle manufacturer.
8. No alterations shall be made to this product.
9. Never work on, under or around a load supported only by this device.
10. Do not adjust safety valve.
11. Wear ANSI-approved safety goggles and heavy-duty work gloves during use.
12. Keep clear of load while lifting and lowering.
13. Lower load slowly.
14. Apply parking brake and chock tires before lifting vehicle.
15. Lift vehicle only at manufacturer recommended locations.
16. Inspect before every use; do not use if parts are loose or damaged.
17. Do not use for aircraft purposes.
18. The warnings, precautions, and instructions discussed in this manual cannot cover all possible conditions and situations that may occur. The operator must understand that common sense and caution are factors, which cannot be built into this product, but must be supplied by the operator.
19. The brass components of this product contain lead, a chemical known to the State of California to cause cancer, birth defects (or other reproductive harm). (California Health & Safety code § 25249.5, et seq.)

### **IMPORTANT! Before first use:**

Check hydraulic oil level and fill to 1/4" below the fill port as needed as stated on page 3. Thoroughly test the Jack for proper operation. If it does not work properly, bleed air from its hydraulic system as stated on page 2.

## Jack Components



Fig. 1

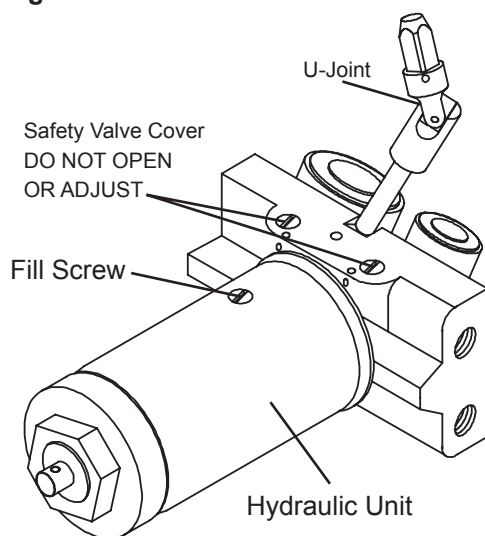


Fig. 2

## Setup and Operation

### Attaching the Handle

1. Fasten the Upper Handle to the Lower Handle.
2. Loosen the Set Screw and insert the assembled Handle into the Handle Socket.
3. Tighten the Set Screw.

### Bleeding

1. Loosen the Fill Screw (Fig. 2).
2. Insert the assembled Handle into the Handle Socket (Fig. 1) to operate the Release Valve.
3. Turn the Handle (Fig. 1) counterclockwise to open valve.
4. Pump the Handle (Fig. 1) up and down quickly for several times to purge the air from the system.

5. Tighten the Fill Screw (Fig. 2).

### Adding Oil

1. Remove the Fill Screw (Fig. 2).
2. Add qualified hydraulic oil of high grade into the Fill Screw (Fig. 2) slowly until the oil reaches the top of the oil fill hole.

**Note:** Do not touch the assembled Handle when adding the hydraulic oil.

3. Replace the Fill Screw (Fig. 2)

### Lifting

#### ⚠WARNING

1. Park vehicle on a flat, level, solid, surface safely away from oncoming traffic. Turn off the vehicle's engine. Place the vehicle's transmission in "PARK" (if automatic) or in its lowest gear (if manual). Set the vehicle's emergency brake. Then, chock the wheels that are not being lifted.
2. Turn the Handle counterclockwise to lower the Jack. Once the Jack is fully lowered, turn the Handle firmly clockwise to close it.
3. Carefully position the Saddle of the Jack (Fig. 1) under the vehicle manufacturer's recommended lifting point. (See vehicle manufacturer's owner's manual for location of frame lifting point when lifting only one wheel and frame lifting points when lifting the entire front or rear end of the vehicle.)
4. Pump the Handle until the top of the Jack's Saddle has nearly reached the vehicle lifting point.

**Note:** The Jack should be positioned at 90° to the vehicle's lifting point to ensure the Jack's Saddle and vehicle lifting point are in alignment. If not, reposition the Jack before lifting the vehicle.

5. To lift the vehicle, pump the Handle of the Jack. Use smooth, full strokes for best results.
6. Once the vehicle is raised, slide a jack stand of appropriate capacity (not included) under the proper lifting point referred to in the vehicle owner's manual. Always use two jack stands, position them at the same point on each side of the vehicle.

#### ⚠WARNING

The rated capacity of jack stands is per pair, not the individual capacities combined unless specifically noted on the product by the jack stand manufacturer. Do not exceed rated jack stand capacity. Ensure that the vehicle support points are fully captured between the outer lugs of both jack stands. Use a matched pair of jack stands per vehicle to support one end only. Use 1 pair per vehicle only. Failure to do so may result in sudden loss of load, which may cause personal injury and/or property damage.

- Center the vehicle's lifting point(s) on the saddle of the jack stand(s). Set the jack stand(s) according to the manufacturer's instructions, making sure that they lock securely into position.

**Note:** Always set both Jack Stands at the same height.

- Slowly turn the Handle counterclockwise to lower the vehicle onto the saddle(s) of the jack stand(s). Then, turn the Handle firmly clockwise to close it.

## Lowering

- Carefully remove all tools, parts, etc. from under the vehicle.
- Position the Saddle under the lifting point. Turn the Handle firmly clockwise and raise load high enough to clear the jack stands, then carefully remove jack stands.
- Slowly turn the Handle counterclockwise (never more than 1/2 full turn) to lower the vehicle onto the ground.
- Lower the Jack completely. Then, store in a safe, dry location out of reach of children.

## Inspection, Maintenance, & Cleaning



Procedures not specifically explained in this manual must be performed only by a qualified technician.

To prevent serious injury from tool failure:

Do not use damaged equipment. If abnormal noise or vibration occurs, have the problem corrected before further use.

- Before each use, inspect the general condition of the Jack. Check for broken, cracked, or bent parts, loose or missing parts, and any condition that may affect the proper operation of the product. If a problem occurs, have the problem corrected before further use. Do not use damaged equipment.
- Before each use, thoroughly test the Jack for proper operation prior to its actual use. If the Jack appears not to be working properly, follow Bleeding instructions on page 2.
- Change the hydraulic oil at least once every three years:
  - With the Jack fully lowered, remove the Oil Filler Plug on the side of the Housing.
  - Tip the Jack to allow the old hydraulic oil to drain out of the Housing completely, and dispose of the old hydraulic oil in accordance with local regulations.

- With the Jack upright, completely fill the Housing with a high quality hydraulic oil (not included) until the oil is 1/4" below the fill hole.
  - Open the valve by turning the Handle counterclockwise and pump the Handle to bleed air from the system.
  - Recheck oil level and re-fill as needed.
  - Reinstall the Oil Filler Plug.
- Wipe dry with a clean cloth. Then, store the Jack in a safe, dry location out of reach of children and other non-authorized people.

## Limited 90 Day Warranty

Harbor Freight Tools Co. makes every effort to assure that its products meet high quality and durability standards, and warrants to the original purchaser that this product is free from defects in materials and workmanship for the period of 90 days from the date of purchase. This warranty does not apply to damage due directly or indirectly, to misuse, abuse, negligence or accidents, repairs or alterations outside our facilities, criminal activity, improper installation, normal wear and tear, or to lack of maintenance. We shall in no event be liable for death, injuries to persons or property, or for incidental, contingent, special or consequential damages arising from the use of our product. Some states do not allow the exclusion or limitation of incidental or consequential damages, so the above limitation of exclusion may not apply to you. THIS WARRANTY IS EXPRESSLY IN LIEU OF ALL OTHER WARRANTIES, EXPRESS OR IMPLIED, INCLUDING THE WARRANTIES OF MERCHANTABILITY AND FITNESS.

To take advantage of this warranty, the product or part must be returned to us with transportation charges prepaid. Proof of purchase date and an explanation of the complaint must accompany the merchandise. If our inspection verifies the defect, we will either repair or replace the product at our election or we may elect to refund the purchase price if we cannot readily and quickly provide you with a replacement. We will return repaired products at our expense, but if we determine there is no defect, or that the defect resulted from causes not within the scope of our warranty, then you must bear the cost of returning the product.

This warranty gives you specific legal rights and you may also have other rights which vary from state to state.

## ⚠️ WARNING

### To Prevent Serious Injury:

Use caution when troubleshooting a malfunctioning jack. Stay well clear of the supported load. Completely resolve all problems before use. If the solutions presented in the Troubleshooting guide do not solve the problem, have a qualified technician inspect and repair the jack before use.

After the jack is repaired: Test it carefully without a load by raising and lowering it fully, checking for proper operation, **BEFORE RETURNING THE JACK TO OPERATION.**

## DO NOT USE A DAMAGED OR MALFUNCTIONING JACK!

| POSSIBLE SYMPTOMS                         |                          |                          |                                  |   |                              | PROBABLE SOLUTION<br>(Make certain that the jack is not supporting a load while attempting a solution.)  |
|---|--------------------------|--------------------------|----------------------------------|---|------------------------------|--|
| Jack will not lift at its weight capacity | Saddle lowers under load | Pump stroke feels spongy | Saddle will not lift all the way | Handle moves up when jack is under load | Oil leaking from filler plug |  |
| <b>X</b>                                  | <b>X</b>                 |                          |                                  |   |                              | Check that Release Valve is fully closed. Bleed air from the system.   |
| <b>X</b>                                  | <b>X</b>                 |                          |                                  | <b>X</b>                                |                              | Valves may be blocked and may not close fully. To flush the valves:<br>1. Lower the Saddle and securely close the Release Valve.<br>2. Manually lift the saddle several inches.<br>3. Open the release valve and force the saddle down as quickly as possible. |
| <b>X</b>                                  |                          | <b>X</b>                 | <b>X</b>                         |   |                              | Jack may be low on oil. Check the oil level and refill if needed.<br>Jack may require bleeding - see instructions on page 2.   |
|   |                          |                          |                                  |   | <b>X</b>                     | Unit may have too much hydraulic oil inside, check fluid level and adjust if needed.   |

## Parts Lists and Assembly Diagrams

### Please read the following carefully

The manufacturer and/or distributor has provided the parts diagram in this manual as a reference tool only. Neither the manufacturer nor distributor makes any representation or warranty of any kind to the buyer that he or she is qualified to make any repairs to the product or that he or she is qualified to replace any parts of the product. In fact, the manufacturer

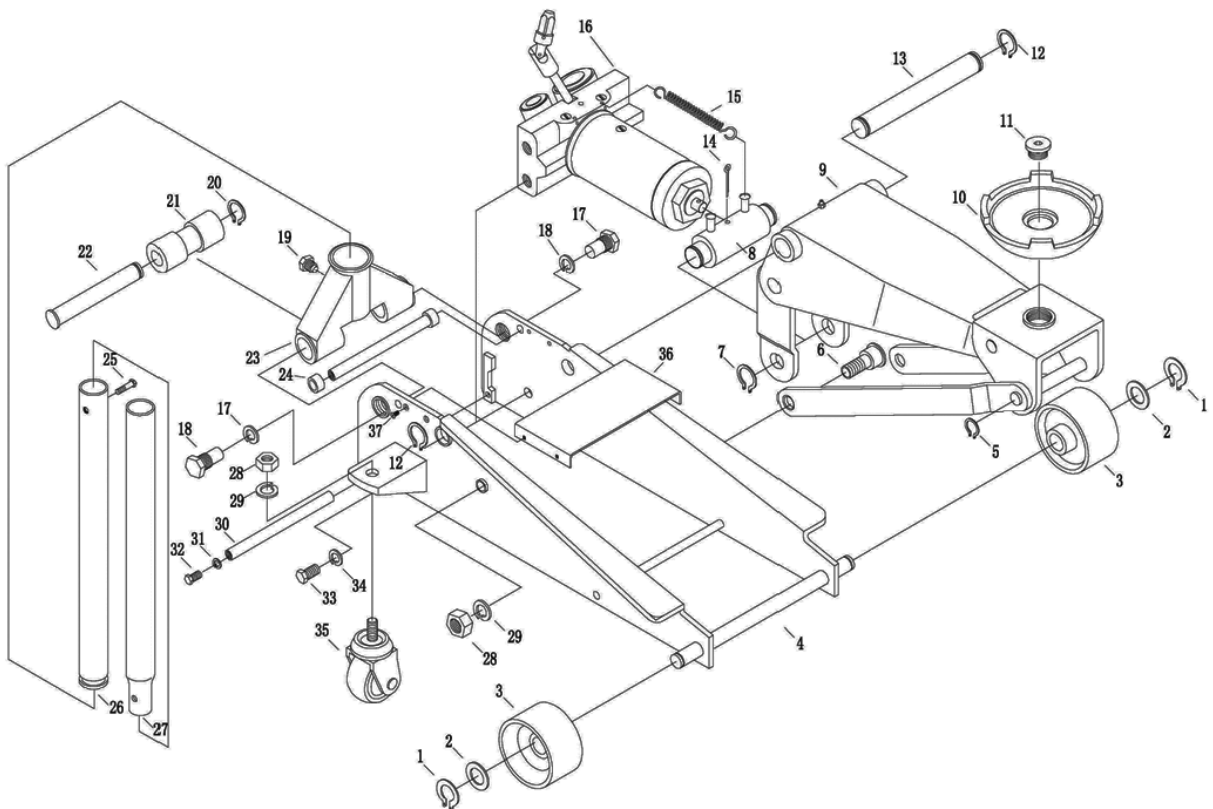
and/or distributor expressly states that all repairs and parts replacements should be undertaken by certified and licensed technicians and not by the buyer. The buyer assumes all risk and liability arising out of his or her repairs to the original product or replacement parts thereto, or arising out of his or her installation of replacement parts thereto.

## 68048 3 Ton Floor Jack

### Main Parts List and Assembly Diagram

| Part | Description          | Qty |
|------|----------------------|-----|
| 1    | Retaining Ring (M20) | 2   |
| 2    | Washer               | 2   |
| 3    | Front Wheel          | 2   |
| 4    | Frame                | 1   |
| 5    | Retaining Ring (M16) | 2   |
| 6    | Bolt                 | 2   |
| 7    | Retaining Ring (M22) | 2   |
| 8    | Hydraulic Adaptor    | 1   |
| 9    | Lift Arm Assembly    | 1   |
| 10   | Saddle               | 1   |
| 11   | Saddle Screw         | 1   |
| 12   | Retaining Ring (M25) | 2   |
| 13   | Lift Arm Shaft       | 1   |
| 14   | Pin (M4x45)          | 1   |
| 15   | Spring               | 2   |
| 16   | Hydraulic Unit       | 1   |
| 17   | Bolt                 | 2   |
| 18   | Washer (M18)         | 2   |
| 19   | Set Screw            | 1   |

| Part | Description          | Qty |
|------|----------------------|-----|
| 20   | Retaining Ring (M12) | 1   |
| 21   | Handle Socket Roller | 1   |
| 22   | Shaft                | 1   |
| 23   | Handle Socket        | 1   |
| 24   | Rubber Bumper        | 2   |
| 25   | Screw                | 1   |
| 26   | Lower Handle         | 1   |
| 27   | Upper Handle         | 1   |
| 28   | Nut (M16)            | 4   |
| 29   | Washer (M16)         | 4   |
| 30   | Tie Rod              | 2   |
| 31   | Washer (M8)          | 4   |
| 32   | Screw (M8X20)        | 4   |
| 33   | Screw (M10X25)       | 4   |
| 34   | Washer (M10)         | 4   |
| 35   | Rear Caster Assembly | 2   |
| 36   | Cover Plate          | 1   |
| 37   | Screw                | 4   |

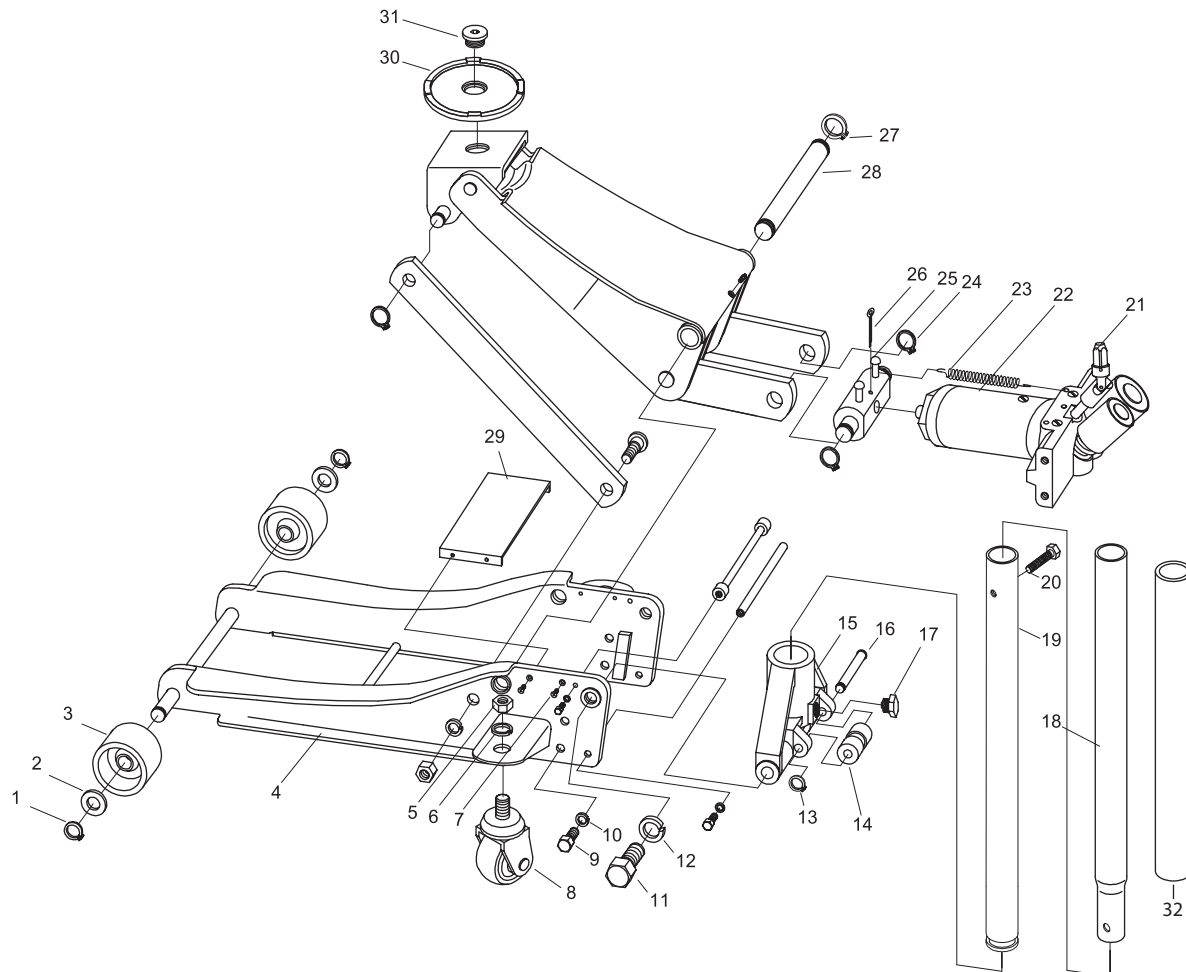


## 68049 2-1/2 Ton service Jack

### Main Parts List and Assembly Diagram

| Part | Description          | Qty |
|------|----------------------|-----|
| 1    | Retaining Ring (M20) | 2   |
| 2    | Washer (M20)         | 2   |
| 3    | Front Wheel          | 2   |
| 4    | Frame                | 1   |
| 5    | Nut (M16)            | 4   |
| 6    | Washer (M16)         | 4   |
| 7    | Screw (M5X12)        | 4   |
| 8    | Rear Caster Assembly | 2   |
| 9    | Screw (M10X20)       | 4   |
| 10   | Washer (M10)         | 4   |
| 11   | Bolt                 | 2   |
| 12   | Washer (M18)         | 2   |
| 13   | Retaining Ring (M12) | 1   |
| 14   | Handle Socket Roller | 1   |
| 15   | Handle Socket        | 1   |
| 16   | Shaft                | 1   |

| Part | Description            | Qty |
|------|------------------------|-----|
| 17   | Set Screw              | 1   |
| 18   | Upper Handle           | 1   |
| 19   | Lower Handle           | 1   |
| 20   | Screw (M6X35)          | 1   |
| 21   | U-Joint                | 1   |
| 22   | Hydraulic Unit         | 1   |
| 23   | Spring                 | 2   |
| 24   | Retaining Ring (M22)   | 2   |
| 25   | Hydraulic Unit Adaptor | 1   |
| 26   | Pin (A4x55)            | 1   |
| 27   | Retaining Ring (M25)   | 2   |
| 28   | Lift Arm Shaft         | 1   |
| 29   | Cover Plate            | 1   |
| 30   | Saddle                 | 1   |
| 31   | Saddle Screw           | 1   |
| 32   | Handle Bumper          | 1   |

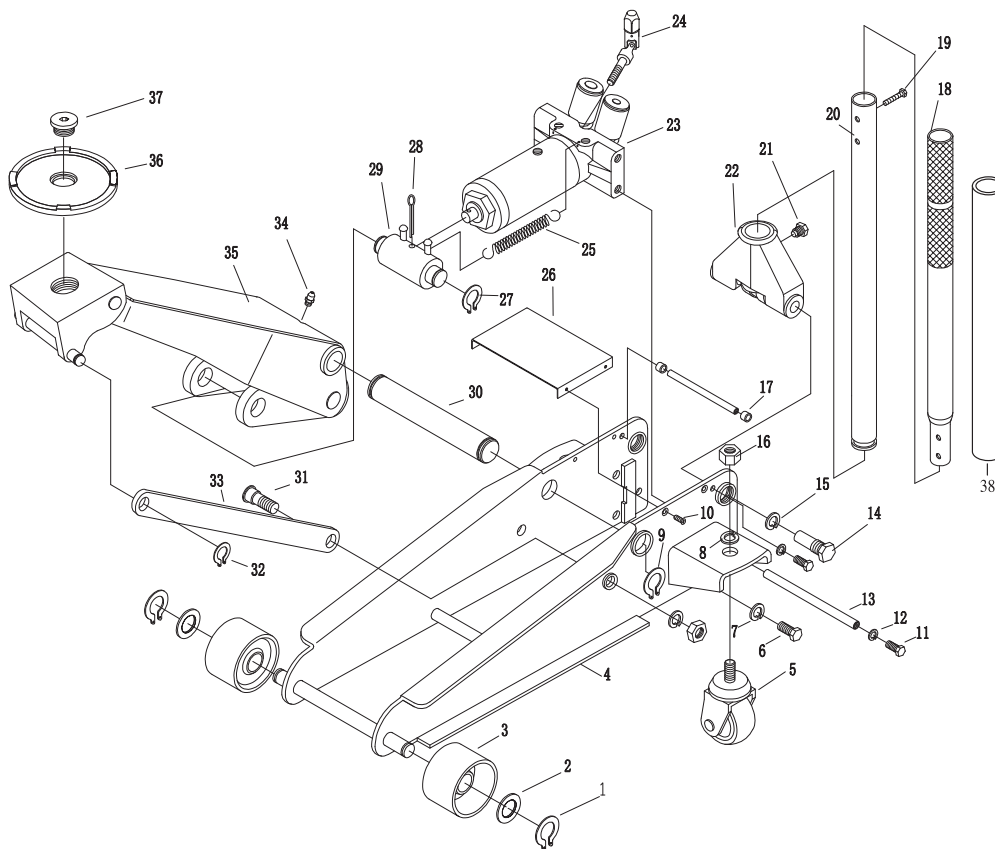


# 68056 4 Ton service Jack

## Main Parts List and Assembly Diagram

| Part | Description          | Qty |
|------|----------------------|-----|
| 1    | Retaining Ring (M20) | 2   |
| 2    | Front Wheel Washer   | 2   |
| 3    | Front Wheel          | 2   |
| 4    | Frame                | 1   |
| 5    | Rear Caster          | 2   |
| 6    | Screw (M12X25)       | 4   |
| 7    | Washer (M12)         | 4   |
| 8    | Washer (M16)         | 4   |
| 9    | Retaining Ring (M30) | 2   |
| 10   | Screw (M5X12)        | 4   |
| 11   | Screw (M8X20)        | 4   |
| 12   | Washer (M8)          | 4   |
| 13   | Tie Rod              | 2   |
| 14   | Bolt                 | 2   |
| 15   | Washer (M18)         | 2   |
| 16   | Nut (M16)            | 4   |
| 17   | Rubber Bumper        | 2   |
| 18   | Upper Handle         | 1   |
| 19   | Screw                | 1   |

| Part | Description            | Qty |
|------|------------------------|-----|
| 20   | Lower Handle           | 1   |
| 21   | Set Screw              | 1   |
| 22   | Handle Socket          | 1   |
| 23   | Hydraulic Unit         | 1   |
| 24   | U-Joint                | 1   |
| 25   | Spring                 | 2   |
| 26   | Cover Plate            | 1   |
| 27   | Retaining Ring (M25)   | 2   |
| 28   | Pin (M4X45)            | 1   |
| 29   | Hydraulic Unit Adaptor | 1   |
| 30   | Lift Arm Shaft         | 1   |
| 31   | Bolt                   | 2   |
| 32   | Retaining Ring (M18)   | 2   |
| 33   | Radius Link            | 2   |
| 34   | Zerk                   | 1   |
| 35   | Lift Arm               | 1   |
| 36   | Saddle                 | 1   |
| 37   | Saddle Screw           | 1   |
| 38   | Handle Bumper          | 1   |







**PITTSBURGH** AUTOMOTIVE *Heavy Duty*

3491 Mission Oaks Blvd. • PO Box 6009 • Camarillo, CA 93011 • (800) 444-3353

[www.harborfreight.com](http://www.harborfreight.com)

## Free Manuals Download Website

<http://myh66.com>

<http://usermanuals.us>

<http://www.somanuals.com>

<http://www.4manuals.cc>

<http://www.manual-lib.com>

<http://www.404manual.com>

<http://www.luxmanual.com>

<http://aubethermostatmanual.com>

Golf course search by state

<http://golfingnear.com>

Email search by domain

<http://emailbydomain.com>

Auto manuals search

<http://auto.somanuals.com>

TV manuals search

<http://tv.somanuals.com>