

BICYCLE WORKSTAND 150 LB. CAPACITY

Model 95365

ASSEMBLY AND OPERATION INSTRUCTIONS



Due to continuing improvements, actual product may differ slightly from the product described herein.



3491 Mission Oaks Blvd., Camarillo, CA 93011
Visit our website at: <http://www.harborfreight.com>

**TO PREVENT SERIOUS INJURY, READ AND UNDERSTAND
ALL WARNINGS AND INSTRUCTIONS BEFORE USE.**

Copyright© 2006 by Harbor Freight Tools®. All rights reserved. No portion of this manual or any artwork contained herein may be reproduced in any shape or form without the express written consent of Harbor Freight Tools.

For technical questions or replacement parts, please call 1-800-444-3353.

SPECIFICATIONS

Maximum Weight Capacity	150 Lbs.
Overall Dimensions	13-5/8" L X 12-1/8" W X 23" H
Material	14 gauge steel support bracket, steel tubing with black enamel finish, thermoplastic hardware caps, rubber support bracket cover
Seven Adjustment Positions (distance from the ground)	18-5/8", 17-3/4", 17", 16-1/4", 15-1/2", 14-5/8", 14"

You will need this manual for the safety warnings and precautions, assembly, operating, inspection, maintenance and cleaning procedures, parts list and assembly diagram. Keep your invoice with this manual. Write the invoice number on the inside of the front cover. Write the product's serial number in the back of the manual near the assembly diagram, or write month and year of purchase if product has no number. Keep this manual and invoice in a safe and dry place for future reference.

GENERAL SAFETY RULES

1. Keep your work area clean and well lit. Cluttered benches and dark areas invite accidents.
2. Keep bystanders, children, and visitors away while assembling and working with the Workstand. Distractions can cause you to lose control.
3. Stay alert. Watch what you are doing, and use common sense when operating this product. Do not use while tired or under the influence of drugs, alcohol, or medication. A moment of inattention while operating this product may result in serious personal injury or property damage.
4. Dress properly. Do not wear loose clothing or jewelry. Contain long hair. Loose clothes, jewelry, or long hair can be caught in parts of the Workstand and bicycle.
5. Keep proper footing and balance at all times. Proper footing and balance enables better control of the Bicycle Workstand in unexpected situations.
6. Use safety equipment. Always wear eye protection. Always wear ANSI-approved leather work gloves when working with the Workstand.
7. Store the Bicycle Workstand out of reach of children and other untrained persons. This product could be dangerous in the hands of untrained users.
8. Use only accessories that are recommended by the manufacturer for your model. Accessories that may be suitable for one tool may become hazardous when used on another tool.
9. Always check hardware and assembled parts after assembling. All connections should be tight and hardware tightened.
11. Do not exceed the Bicycle Workstand maximum weight capacity of 150 Lbs. (evenly distributed).
12. Never allow anybody to tamper with a bicycle while it is being supported on the Workstand.

UNPACKING

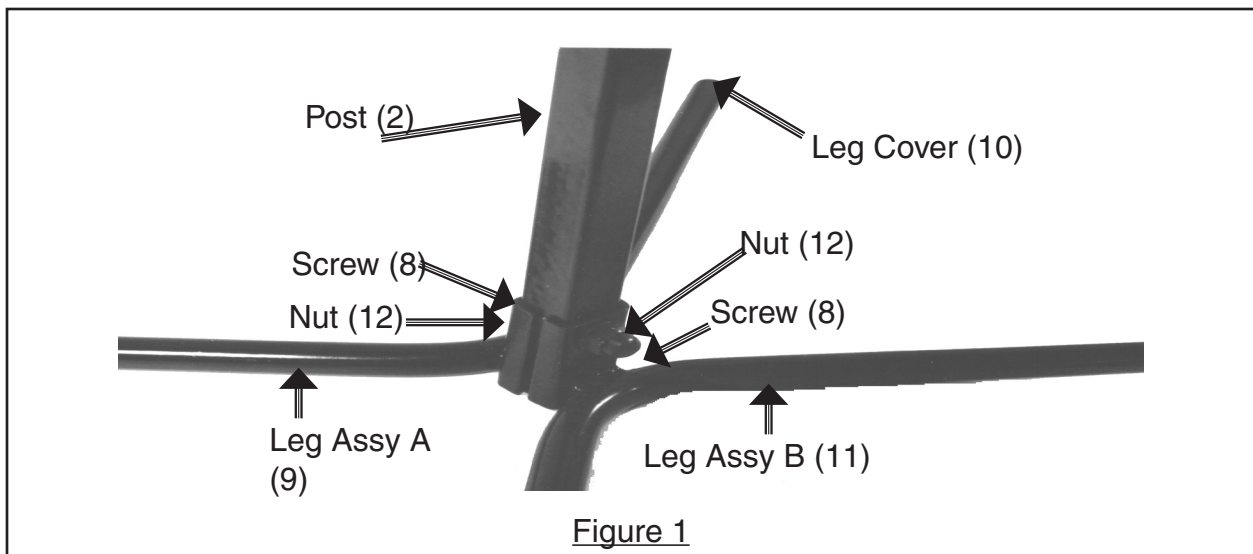
When unpacking, check to make sure that the item is intact and undamaged. If any parts are missing or broken (see parts list/assembly diagram), please call Harbor Freight Tools at the number shown on the cover of this manual as soon as possible.

ASSEMBLY INSTRUCTIONS

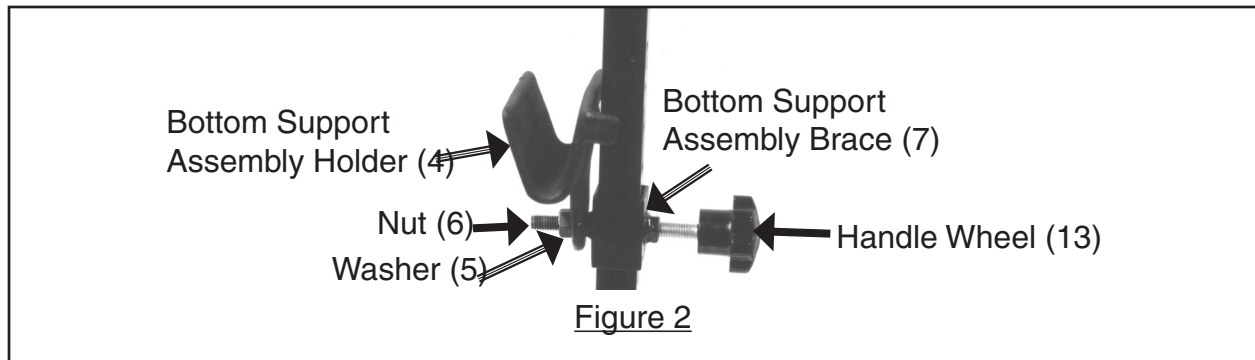
Note: For additional information regarding the parts listed in the following pages, refer to the Assembly Diagram on page 6 of this manual.

The Bicycle Workstand can be easily assembled by taking the following steps. The Workstand will stand on its own and will hold up to 150 Lbs, evenly distributed.

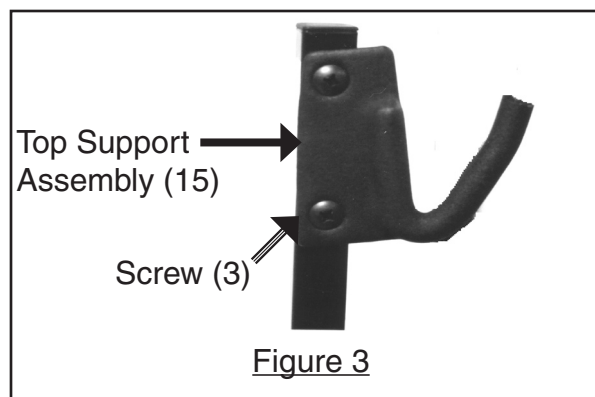
1. Set one Leg Assembly A (9) and Leg Assembly B (11) on each side of the Post (2) so that the holes line up with the holes at the bottom of the Post (2). Through the lowest hole, insert Screw (8) and thread on Nut (12)-see Figure 1. Through the next hole up, insert the Screw (8) from the opposite direction and thread on Nut (12)-see Assembly Diagram. Attach Leg Covers (10) to the end of each leg (not shown in Figure 1).



2. Slide the Bottom Support Assembly Brace (7) down over the Post (2) until it is at the adjustment holes. Set the Bottom Support Assembly Holder (4) and the Bottom Support Assembly Brace (7) so that they line up on each side of the desired hole. Thread the Handle Wheel (13) into the Bottom Support Assembly Brace (7). Slide Washer (5) onto the threaded end of the Handle Wheel (13) and thread on Nut (6) to secure it in place-see Figure 2.



3. Attach the Top Support Assembly (15) to the top two holes on the Post (2). Secure in place using two Screws (3)-see Figure 3.



OPERATION INSTRUCTIONS

1. Position the Workstand in a location where it will not be an obstruction to passersby. Place it on a smooth, flat and level surface capable of supporting the Workstand and the weight of the bicycle and components.
2. The Bottom Support Assembly Holder is adjustable. Set the Bottom Support Assembly Holder (4) to the desired height. With the bicycle upside down, set the top tube (flat horizontal tube nearest the seat) of the bicycle onto the Bottom Support Assembly Holder (4). Rest the bottom of the bicycle in the Top Support Assembly (15).

INSPECTION, MAINTENANCE, AND CLEANING

1. **BEFORE EACH USE**, inspect the general condition of the tool. Check for loose screws, misalignment or binding of moving parts, cracked or broken parts, and any other condition that may affect its safe operation. **Do not use damaged equipment.**

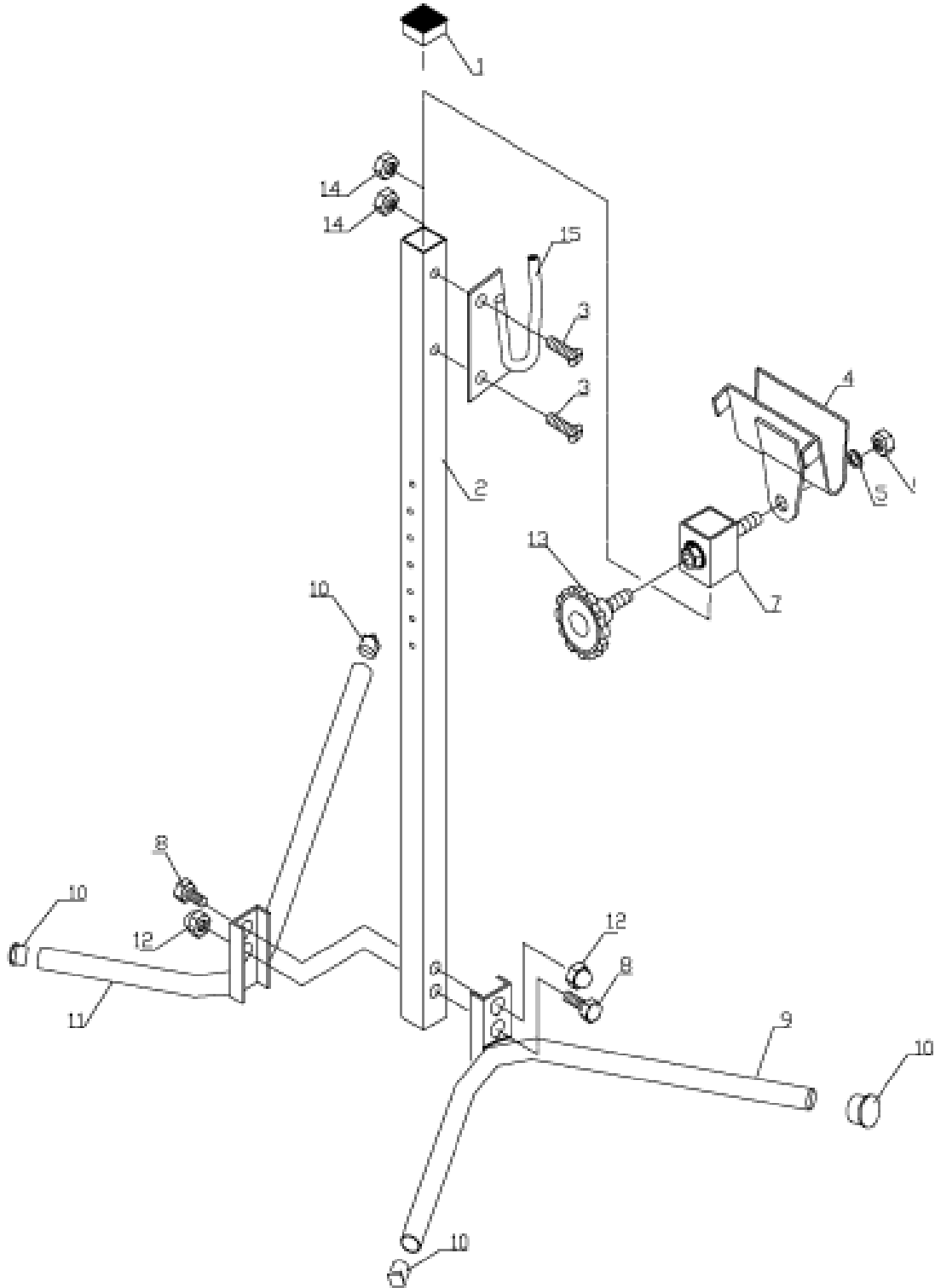
PARTS LIST

Part	Description	Q'ty	Part	Description	Q'ty
1	Cover	4	9	Leg Assembly A	2
2	Post	1	10	Leg Cover	1
3	Screw	2	11	Leg Assembly B	2
4	Bottom Support Assy Holder	1	12	Nut	2
5	Washer	6	13	Handle Wheel	1
6	Nut	3	14	Nut	1
7	Bottom Support Assy Brace	1	15	Top Support Assembly	1

PLEASE READ THE FOLLOWING CAREFULLY

THE MANUFACTURER AND/OR DISTRIBUTOR HAS PROVIDED THE PARTS LIST AND ASSEMBLY DIAGRAM IN THIS MANUAL AS A REFERENCE TOOL ONLY. NEITHER THE MANUFACTURER OR DISTRIBUTOR MAKES ANY REPRESENTATION OR WARRANTY OF ANY KIND TO THE BUYER THAT HE OR SHE IS QUALIFIED TO MAKE ANY REPAIRS TO THE PRODUCT, OR THAT HE OR SHE IS QUALIFIED TO REPLACE ANY PARTS OF THE PRODUCT. IN FACT, THE MANUFACTURER AND/OR DISTRIBUTOR EXPRESSLY STATES THAT ALL REPAIRS AND PARTS REPLACEMENTS SHOULD BE UNDERTAKEN BY CERTIFIED AND LICENSED TECHNICIANS, AND NOT BY THE BUYER. THE BUYER ASSUMES ALL RISK AND LIABILITY ARISING OUT OF HIS OR HER REPAIRS TO THE ORIGINAL PRODUCT OR REPLACEMENT PARTS THERETO, OR ARISING OUT OF HIS

ASSEMBLY DIAGRAM



Free Manuals Download Website

<http://myh66.com>

<http://usermanuals.us>

<http://www.somanuals.com>

<http://www.4manuals.cc>

<http://www.manual-lib.com>

<http://www.404manual.com>

<http://www.luxmanual.com>

<http://aubethermostatmanual.com>

Golf course search by state

<http://golfingnear.com>

Email search by domain

<http://emailbydomain.com>

Auto manuals search

<http://auto.somanuals.com>

TV manuals search

<http://tv.somanuals.com>