



# 5" Heavy Duty Bench Vise

**Model 40728**

## Assembly & Operating Instructions



3491 Mission Oaks Blvd. / Camarillo, CA 93011

[www.HarborFreight.com](http://www.HarborFreight.com)

Copyright © 1999 by Harbor Freight Tools. All Rights Reserved.  
No portion of this manual or any artwork contained herein may be reproduced in any manner, shape or form without the express written consent of Harbor Freight Tools.

For technical questions and replacement parts, please call 1-800-444-3353.

---

## SPECIFICATIONS MODEL # 40728 BENCH VISE

Jaw Width:	1"
Throat Depth:	2-3/16"
Maximum Jaw Opening:	7-3/4"
Base Dimensions:	9-3/8" x 8-1/8"
Base Swivel Capacity:	180°
Anvil Dimensions:	4-3/8" x 4-3/8"
Overall Dimensions:	15-1/2" x 8" x 7"

## FEATURES OF THIS VISE

1. Strong cast-iron construction, with hardened and ground jaws.
2. Swivel Base with lever locks.
3. Work at any angle to the bench.
4. Built in anvil.
5. Enclosed screw for maintenance free operation.

## SAVE THIS MANUAL

You will need this manual for the safety warnings and cautions, assembly instructions, operating procedures, maintenance procedures, trouble shooting, parts list, and diagram. Keep your invoice with this manual. Write the invoice number on the inside of the front cover. Keep both this manual and your invoice in a safe, dry place for future reference.

## NOTICE

**The Warnings, Cautions, and Instructions discussed in this instruction manual cannot cover all possible conditions and situations that may occur. It must be understood by the operator that common sense and caution are factors which cannot be built into this product, but must be supplied by the operator.**

## **SAFETY WARNING & CAUTIONS**

*WARNING: When using shop equipment, basic safety precautions should always be followed to reduce the risk of personal injury and hazards.*

### **READ ALL INSTRUCTIONS BEFORE USING THIS TOOL!**

1. **KEEP WORK AREA CLEAN.** Cluttered areas invite injuries.
2. **OBSERVE WORK AREA CONDITIONS.** Do not use tools in damp, wet, or poorly lit locations. Don't expose to rain. Keep work area well lit. Do not use electrically powered equipment in the presence of flammable gases or liquids.
3. **KEEP CHILDREN AWAY.** Children must never be allowed in the work area. Do not let them handle machines, tools, or equipment.
4. **STORE IDLE EQUIPMENT.** When not in use, tools must be locked up in a dry location to inhibit rust. Always lock up tools and keep out of reach of children.
5. **DO NOT FORCE THE TOOL.** It will do the job better and more safely at the rate for which it was intended. Do not use inappropriate attachments in an attempt to exceed the tool's capacities.
6. **USE THE RIGHT TOOL FOR THE JOB.** Do not use a tool for a purpose for which it was not intended.
7. **DRESS PROPERLY** Do not wear loose clothing or jewelry, as they can be caught in moving parts. Non-skid footwear is recommended. Wear restrictive hair covering to contain long hair. Always wear appropriate work clothing.
8. **USE EYE, EAR AND BREATHING PROTECTION.** Always wear ANSI approved impact safety goggles if you are producing metal filings or wood chips. Wear an ANSI approved dust mask or respirator when working around metal, wood, and chemical dusts and mists. Use ANSI approved ear protection when working in a loud or noisy environment.
9. **DO NOT ABUSE THE POWER CORD.** When using power tools, protect the power cord from damage, either from impacts, pulling or corrosive materials. Do not yank machine's cord to disconnect it from the receptacle.
10. **DO NOT OVERREACH.** Keep proper footing and balance at all times. Do not reach over or across running machines.
11. **MAINTAIN TOOLS WITH CARE.** Keep tools sharp and clean for better and safer performance. Follow instructions for lubricating and changing accessories. Inspect power cord periodically and, if damaged, have it repaired by an authorized technician. Control handle and power switch must be kept clean, dry, and free from oil and grease at all times.

12. REMOVE ADJUSTING KEYS AND WRENCHES. Be sure that keys and adjusting wrenches are removed from the tool or machine work surface before operation.
13. AVOID UNINTENTIONAL STARTING. When using power tools, be sure that you are prepared to begin work before turning the start switch on.
14. STAY ALERT. Watch what you are doing. Do not operate any machinery when you are tired.
15. DO NOT OPERATE MACHINERY WHILE UNDER THE INFLUENCE OF ALCOHOL, DRUGS, OR PRESCRIPTION MEDICINES.
16. CHECK FOR DAMAGED PARTS. Before using any tool, any part that appears damaged should be carefully checked to determine that it will operate properly and perform its intended function. Check for alignment and binding of moving parts, any broken parts or mounting fixtures, and any other condition that may affect proper operation. Any part that is damaged should be properly repaired or replaced by a qualified technician. Do not use the tool if any switch does not turn on and off properly.
17. REPLACEMENT PARTS AND ACCESSORIES. When servicing, use only identical replacement parts. Use of any other parts will void the warranty. Only use parts and accessories intended for use with this tool, which are available from Harbor Freight Tools.

### **SPECIAL WARNINGS WHEN USING THIS VISE**

*Using this Vise may create special hazards.  
Take particular care to safeguard yourself and those around you.*

**Electrical Safety.** *Never operate any tool if there is an electrical hazard.* Never operate an electrical tool in wet conditions. Never operate a tool with an improper electrical cord or extension cord. Never operate an electrical tool unless you are plugged into a properly grounded outlet, which supplies 110-120Volts. We recommend you only use a circuit which is protected by a 30 amp circuit breaker or other amperage recommended by the manufacturer.

**Crushing and Marring.** *Overtightening or using incorrect or dirty jaws can cause damage to your workpiece.* Before clamping anything in this vise, assure that the jaws are clean. If the workpiece is softer than steel, use soft jaws or shims of softer material to prevent damage to the workpiece.

**Hammering.** *Use caution when hammering anything in or on this vise.* Preferably use the ground anvil on top of the Vise as a hammering surface. Do not hammer on the outer, movable vise jaw, as this can damage the screw. Use only light hammers on relatively soft material. For heavier hammering use an anvil designed for the purpose.

**Slipping.** *Periodically check to be sure the workpiece is tight in the Vise.* Twisting, bending, hammering and sawing on a workpiece can cause it to become loose in the vise, potentially creating a hazard.

***NOTICE: No list of warnings can be all inclusive. The operator must supply common sense, and operate this tool in a safe manner.***

## **ASSEMBLY AND OPERATION**

*Your #40728 Vise is delivered completely assembled.*

### ***Installation:***

1. Select a sturdy, level work bench to install the Vise. Be sure there is sufficient room around the vise to hold the various workpieces you will work on, and the various tools you will use.
2. Place the Vise on the work bench where it will be installed.
3. Mark through the holes on the left and right sides of the base of the Vise onto the work bench surface. Remove the Vise.
4. Drill holes through the bench top in an appropriate size.
5. Replace the Vise, and insert appropriate size bolts through the Vise base and work bench top.
6. Install washers and nuts on the bolts underneath the workbench. Tighten securely.

### ***To Swivel Base:***

1. Loosen the Swivel Lever (#2) on the base of the Vise by rotating it counterclockwise. Swivel the Vise to the position desired.
2. Tighten the lever by rotating it clockwise.

### ***To Open and Close Jaws:***

1. Rotate the Handle (#10) counterclockwise to open the jaws.
2. Rotate the Handle clockwise to tighten the jaws.

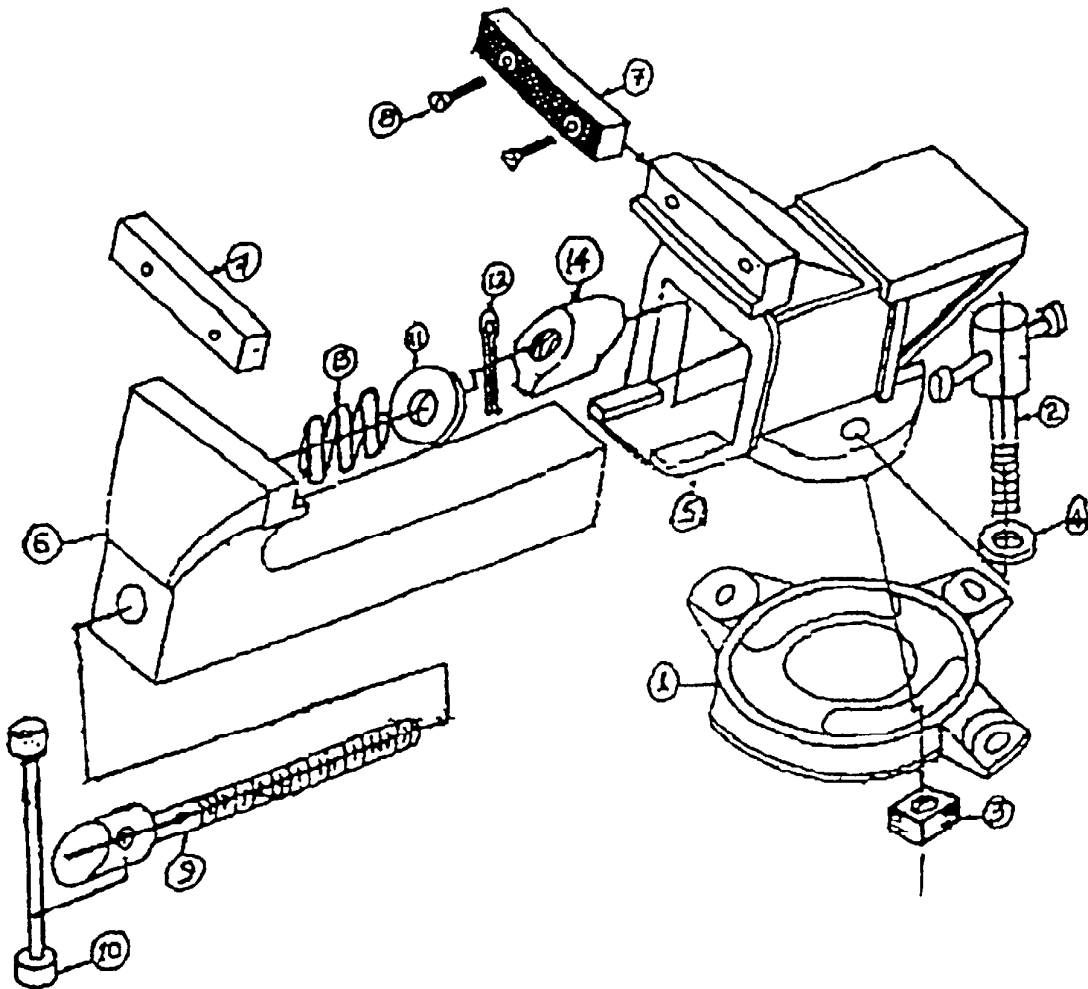
### ***Clamping:***

1. Select the standard jaws when clamping flat pieces which will not be damaged by being clamped.
2. For flat items which may be marred by the standard jaws, either use soft jaws or use a shim between the standard jaws and the workpiece.
3. Do not overtighten, if the workpiece can be crushed or marred by the vise.
4. Check the tightness of the workpiece periodically while working on it, to prevent slipping.

PLEASE READ THE FOLLOWING CAREFULLY

THE MANUFACTURER AND/OR DISTRIBUTOR HAS PROVIDED THE PARTS DIAGRAM IN THIS MANUAL AS A REFERENCE TOOL ONLY; NEITHER THE MANUFACTURER NOR DISTRIBUTOR MAKES ANY REPRESENTATION OR WARRANTY OF ANY KIND TO THE BUYER THAT HE OR SHE IS QUALIFIED TO MAKE ANY REPAIRS TO THE PRODUCT OR THAT HE OR SHE IS QUALIFIED TO REPLACE ANY PARTS OF THE PRODUCT; IN FACT THE MANUFACTURER AND/OR DISTRIBUTOR EXPRESSLY STATES THAT ALL REPAIRS AND PARTS REPLACEMENTS SHOULD BE UNDERTAKEN BY CERTIFIED AND LICENSED TECHNICIANS AND NOT BY THE BUYER. THE BUYER ASSUMES ALL RISK AND LIABILITY ARISING OUT OF HIS OR HER REPAIRS TO THE ORIGINAL PRODUCT OR REPLACEMENT PARTS THERETO, OR ARISING OUT OF HIS OR HER INSTALLATION OF REPLACEMENT PARTS THERETO.

MODEL # 40728 BENCH VISE



MODEL # 40728 BENCH VISE PARTS LIST

Part #	Description	Part #	Description
1	Base	8	C.S.K. Screws
2	Swivel Lever	9	Main Spindle
3	Square Nut	10	Handle
4	Washer	11	Washer
5	Mouth	12	Split Pin
6	Moving Slide	13	Spring
7	Carbon Steel Jaws	14	Spindle Nut

## Free Manuals Download Website

<http://myh66.com>

<http://usermanuals.us>

<http://www.somanuals.com>

<http://www.4manuals.cc>

<http://www.manual-lib.com>

<http://www.404manual.com>

<http://www.luxmanual.com>

<http://aubethermostatmanual.com>

Golf course search by state

<http://golfingnear.com>

Email search by domain

<http://emailbydomain.com>

Auto manuals search

<http://auto.somanuals.com>

TV manuals search

<http://tv.somanuals.com>