

# PROPANE TORCH WITH TURBO BURNER

**MODEL 91894**

## ASSEMBLY AND OPERATING INSTRUCTIONS



3491 Mission Oaks Blvd., Camarillo, CA 93011  
Visit our Web site at <http://www.harborfreight.com>

**TO PREVENT SERIOUS INJURY,  
READ AND UNDERSTAND ALL WARNINGS  
AND INSTRUCTIONS BEFORE USE.**

Copyright© 2004 by Harbor Freight Tools®. All rights reserved. No portion of this manual or any artwork contained herein may be reproduced in any shape or form without the express written consent of Harbor Freight Tools.

**For technical questions and replacement parts, please call 1-800-444-3353**

## PRODUCT SPECIFICATIONS

Product Compatibility	Designed for use with standard L.P. (propane) tanks
Bottle Connection	Propane - Male 1" 20 TPI R.H.
Tube Diameter	3/8"
Tip Diameter	5/8"
Weight	1 Pound

## SAVE THIS MANUAL

You will need this manual for the safety warnings and precautions, assembly, operating, inspection, maintenance and cleaning procedures, parts list and assembly diagram. Keep your invoice with this manual. Write the invoice number on the inside of the front cover. Keep this manual and invoice in a safe and dry place for future reference.

## UNPACKING

When unpacking, check to make sure all the parts shown on the **Parts List (page 6)** are included. If any parts are missing or broken, please call Harbor Freight Tools at the number shown on the cover of this manual as soon as possible.

## GENERAL SAFETY WARNINGS AND PRECAUTIONS

1. **Maintain a safe working environment.** Keep the work area well lit. Make sure there is adequate surrounding work space. Always keep the area free of obstructions, grease, oil, trash, and other debris. Do not use the Propane Torch in areas near flammable chemicals, dusts, and vapors. Be aware of wind blown sparks. Do not use the Propane Torch around or near buildings and structures. Do not use the Propane Torch in rain.
2. **Keep children away from work area.** Do not allow children to handle this product.
3. **Store idle equipment.** When not in use, tools and equipment should be stored in a dry location to inhibit rust. Always lock up tools and equipment, and keep out of reach of children.
4. **Do not use this product if under the influence of alcohol or drugs.** Read warning labels on prescriptions to determine if your judgement or reflexes are impaired while taking drugs. If there is any doubt, do not attempt to use this product.
5. **Do not overreach.** Keep proper footing and balance at all times to prevent tripping, falling, back injury, etc.
6. **Industrial applications must follow OSHA requirements.**
7. **Stay alert.** Watch what you are doing at all times. Use common sense. Do not use this product when you are tired or distracted from the job at hand.
8. **Check for damaged parts.** Before using this product, carefully check that it will operate properly and perform its intended function. Check for damaged parts and any other


conditions that may affect the operation of this product. Replace or repair damaged or worn parts immediately. Do not use product if it appears damaged or if there is any condition that may affect its use.

9. **Replacement parts and accessories:** When servicing, use only identical replacement parts. Only use accessories intended for use with this product. Approved accessories are available from Harbor Freight Tools.
10. **Maintain this product with care.** Keep this product clean and dry for better and safer performance. For your safety, service and maintenance should be performed regularly by a qualified technician.
11. **Use the right tool for the job.** Do not attempt to force a small tool to do the work of a larger industrial tool. There are certain applications for which this tool was designed. It will do the job better and more safely at the capacity for which it was intended. Do not modify this tool, and do not use this tool for a purpose for which it was not intended.
12. **Use protective equipment and dress safely.** Use ANSI approved safety impact goggles to protect your eyes and flame retardant gloves to avoid burns. Do not wear loose clothing such as hanging shirt tails and coats. Wear a protective hair covering to keep long hair away from heat and flames. Heavy duty leather work boots and long pants are recommended.
13. **WARNING!** The warnings, precautions, and instructions discussed in this manual cannot cover all possible conditions and situations that may occur. The operator must understand that common sense and caution are factors, which cannot be built into this product, but must be supplied by the operator.

## SPECIFIC PRODUCT WARNINGS AND PRECAUTIONS

1.  **The Propane Torch is for outdoor use only. Use the Propane Torch only in well-ventilated areas. Keep Propane Torch away from structures and flammable materials. Inhalation of propane fumes may result in CARBON MONOXIDE POISONING, INJURY and/or DEATH.**

2. **Risk of EXPLOSION.**  
**Propane fuel is EXTREMELY FLAMMABLE and under PRESSURE.**

- a.  **Contact local solid waste authorities for instructions on correct disposal or recycling of a propane cylinder.** Never puncture or set fire to an empty propane cylinder.
- b. **Keep valve protective caps in place when cylinders are not in use.**
- c. **Never use a propane tank if it shows signs of:** Dents, corrosion, gouges, bulges, fire damage, leakage, excessive rust, or any other form of visual external damage.
- d. **Store propane cylinders properly:**
  - Store the cylinder in a well-ventilated area marked for cylinder storage only.
  - Store propane cylinders away from oxidizing or corrosive gas cylinders.
  - Store empty cylinders away from full cylinders and label empty cylinders clearly.
  - Do not store propane fuel in temperatures exceeding 120° F.
  - Keep the propane cylinder upright when using and storing.

## SPECIFIC PRODUCT WARNINGS (continued)

3.

### Risk of FIRE.



- a. **Before each use, always check all propane connections and joints to make sure no leaks are present.** Also check hoses for cracks or excessive wear. Always replace a damaged hose.
- b. **If, while using the Propane Torch, you notice the odor of propane, immediately shut off the propane fueling the Torch.** Extinguish all open flames, and carefully check for leaks by using soapy water. Never use a flame to check for leaks. If the odor continues, do not use the Torch and move the propane tank outside, if it is not already outside. Call your local propane supplier for assistance.
- c. **Make sure the Hand Wheel (13) is turned to its “OFF” position and the propane tank (not included) is removed when the Propane Torch is not in use.**
- d. **Never use gasoline, kerosene, or other highly volatile fluids as a starter as they can explode.**
- e. **Never leave the Propane Torch unattended once it is lit.**
- f. **Keep a fire extinguisher handy.** Always keep a commercial fire extinguisher nearby the Propane Torch in case of accidental fire.
- g. **Do not clean the Propane Torch with cleaners that are combustible or corrosive.**
- h. **Do not paint any part of the Propane Torch.**
- i. **Never smoke while using the Propane Torch.** Make sure all surrounding flames are extinguished.
- j. **Do not use this product with any fuels other than propane.**

4.

### The Burner (20) gets VERY HOT during use.

- a. **Do not aim the Burner (20) at yourself, others, or animals.** Keep spectators clear of the work area.
  - b. **Always allow sufficient time for the Propane Torch to completely cool down before storing.**
5. **Never reach across the Propane Torch while in use.** Be aware that parts of the Propane Torch become extremely hot during operation.
6. **Maintain labels and nameplates on the Propane Torch.** These carry important information. If unreadable or missing, contact Harbor Freight Tools for a replacement.
7. **WARNING!** The brass components of this product contain lead, a chemical known to the State of California to cause birth defects (or other reproductive harm). (*California Health & Safety Code 25249.5, et seq.*)
8. **WARNING!** This product, when used with propane fuel, produces chemicals known to the State of California to cause cancer and birth defects (or other reproductive harm). (*California Health & Safety Code 25249.5, et seq.*)

## Assembly

It is important that you read the entire manual to become familiar with the unit **BEFORE** you use the Propane Torch. Before preparing to use your Propane Torch, be sure that you have all parts described in the Parts List.

Your Propane Torch comes fully assembled.

## Operation

To assist you with operation please refer to the Operational Figure on this page. You should also refer to the Assembly Diagram on page 7 and the Parts List on page 6.

Never force the tool or attachment to do the work of a larger industrial tool. It is designed to do the job better and more safely at the rate for which it was intended.

This tool is designed to be used and operated on L.P. Gas (Propane) which is found in a disposable Propane bottle.

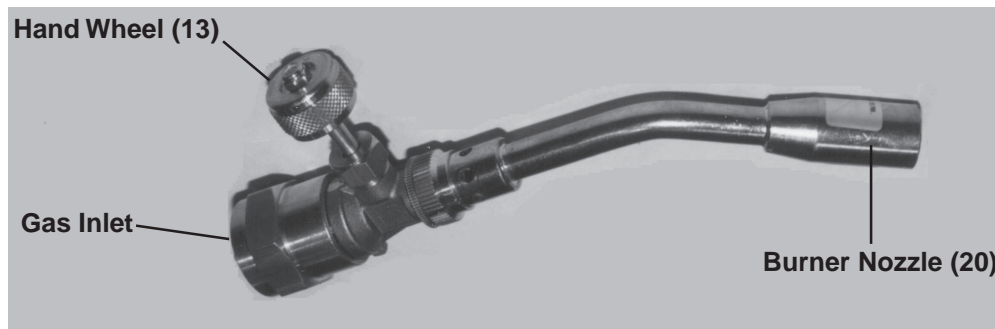
Step 1) Make sure that the Hand Wheel (13) is tightened completely before attaching the torch. Firmly insert the Gas Inlet (1) into the Propane canister and screw the Gas Inlet into place. It is normal for some propane to escape while doing this. If you continue to smell or hear gas leaking, tighten to torch or reinstall it.

**Warning: Make sure the work area is clear of people and animals. Always move the Burner Nozzle in a controlled manner. Always be alert to the path of the flame!**

Step 2) While making sure that you are clear of the outlet of the Torch, open the Hand Wheel slightly to allow L.P. gas to flow to the Burner Nozzle (20). Draw out the flame by placing a long lit match stick or similarly lit device near the Propane Torch's Burner Nozzle. This will create a flame.

Step 3) Adjust the flame to a reasonable level by turning the Hand Wheel (13).

**Note:** The lit burner should operate with a blue flame with a small yellow tip. Adjust the knob if the flame is sputtering or popping.



### **Operation (continued)**

**Step 4)** To extinguish the flame, turn the Hand Wheel (13) clockwise until closed.

**Step 5)** Make certain the Propane Torch is completely cooled off before storing.

**IF THERE IS ANY QUESTION ABOUT A CONDITION BEING SAFE OR UNSAFE, DO NOT OPERATE THE TOOL.**

### **Unpacking**

When unpacking your Propane Torch with Turbo Burner, check to make sure the following parts are included. If any parts are missing or broken, please call **HARBOR FREIGHT TOOLS** at **1-800-444-3353**.

### **Parts List**

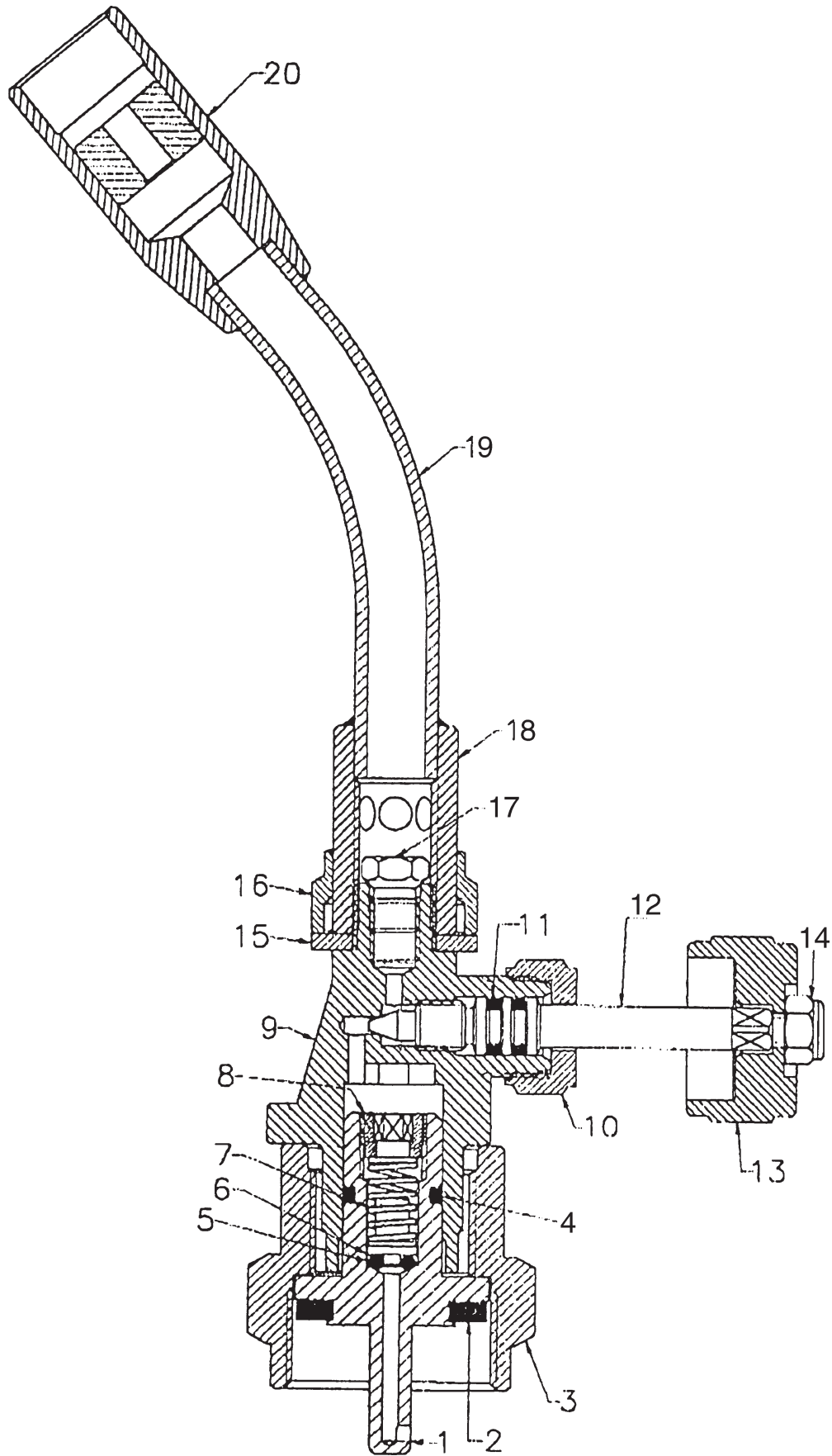
<b>Part</b>	<b>Description</b>	<b>Quantity</b>	<b>Part</b>	<b>Description</b>	<b>Quantity</b>
1	Gas Inlet	1	11	O-Ring	1
2	Gasket	1	12	Needle	1
3	Cylinder Connection	1	13	Hand Wheel	1
4	O-Ring	1	14	Nut M4	1
5	O-Ring	1	15	Washer M10 x 1	1
6	Valve	1	16	Air Divider	1
7	Spring for Valve Calibration	1	17	Nozzle	1
8	Screw for Valve Calibration	1	18	Gas Air Mixer	1
9	Body Tap	1	19	Extension Bar	1
10	Nut Key 14 Needle Stop	1	20	Burner	1

**NOTE:** Some parts are listed and shown for illustration purposes only and are not available individually as replacement parts.

### **PLEASE READ THE FOLLOWING CAREFULLY**

THE MANUFACTURER AND/OR DISTRIBUTOR HAS PROVIDED THE PARTS DIAGRAM IN THIS MANUAL AS A REFERENCE TOOL ONLY. NEITHER THE MANUFACTURER NOR DISTRIBUTOR MAKES ANY REPRESENTATION OR WARRANTY OF ANY KIND TO THE BUYER THAT HE OR SHE IS QUALIFIED TO MAKE ANY REPAIRS TO THE PRODUCT OR THAT HE OR SHE IS QUALIFIED TO REPLACE ANY PARTS OF THE PRODUCT. IN FACT, THE MANUFACTURER AND/OR DISTRIBUTOR EXPRESSLY STATES THAT ALL REPAIRS AND PARTS REPLACEMENTS SHOULD BE UNDERTAKEN BY CERTIFIED AND LICENSED TECHNICIANS AND NOT BY THE BUYER. THE BUYER ASSUMES ALL RISK AND LIABILITY ARISING OUT OF HIS OR HER REPAIRS TO THE ORIGINAL PRODUCT OR REPLACEMENT PARTS THERETO, OR ARISING OUT OF HIS OR HER INSTALLATION OF REPLACEMENT PARTS THERETO.

# Assembly Diagram



## Free Manuals Download Website

<http://myh66.com>

<http://usermanuals.us>

<http://www.somanuals.com>

<http://www.4manuals.cc>

<http://www.manual-lib.com>

<http://www.404manual.com>

<http://www.luxmanual.com>

<http://aubethermostatmanual.com>

Golf course search by state

<http://golfingnear.com>

Email search by domain

<http://emailbydomain.com>

Auto manuals search

<http://auto.somanuals.com>

TV manuals search

<http://tv.somanuals.com>