



PNEUMATIC GARDEN SHEARS

Model 94593

ASSEMBLY AND OPERATING INSTRUCTIONS



Due to continuing improvements, actual product may differ slightly from the product described herein.



3491 Mission Oaks Blvd., Camarillo, CA 93011

Visit our Web site at <http://www.harborfreight.com>

Copyright © 2006 by Harbor Freight Tools®. All rights reserved. No portion of this manual or any artwork contained herein may be reproduced in any shape or form without the express written consent of Harbor Freight Tools.

For technical questions and replacement parts, please call 1-800-444-3353

Specifications

Item	Description
Function	Pruning small fruit trees, shrubbery, and bushes
Air Pressure Requirement	1 CFM at 90 PSI
Cutter Width	7/32"
Cutting Capacity	¾"
Cutter Blade Material	High carbon alloy steel shear with non-stick coating
Air Inlet Size	¼" – 18 NPT (female)
Housing	Nylon
Overall Dimensions	2-1/8" W X 10-5/8" L X 5-1/4" H
Weight	73.7 Lbs.

Save This Manual

You will need the manual for the safety warnings and precautions, assembly instructions, operating and maintenance procedures, parts list and diagram. Keep your invoice with this manual. Write the invoice number on the inside of the front cover. Keep the manual and invoice in a safe and dry place for future reference.

Safety Warnings and Precautions

WARNING: When using tool, basic safety precautions should always be followed to reduce the risk of personal injury and damage to equipment.

Read all instructions before using this tool!

1. **Keep work area clean.** Cluttered areas invite injuries.
2. **Observe work area conditions.** Do not use machines or power tools in damp or wet locations. Don't expose to rain. Keep work area well lit. Do not use electrically powered tools in presence of flammable gases or liquids.
3. **Keep children away.** Children must never be allowed in the work area. Do not let them handle machines, tools, or extension cords.
4. **Store idle equipment.** When not in use, tools must be stored in a dry location to inhibit rust. Always lock up tools and keep out of reach of children.
5. **Use the right tool for the job.** Do not attempt to force a small tool or attachment to do the work of a larger industrial tool. There are certain applications for which this tool was designed. It will do the job better and more safely at the rate for which it was intended. Do not modify this tool and do not use this tool for a purpose for which it was not intended.
6. **Dress properly.** Do not wear loose clothing or jewelry as they can be caught in moving parts. Protective, electrically non-conductive clothes and non-skid footwear are recommended when working. Wear restrictive hair covering to contain long hair.

REV 10/06

7. **Use eye protection.** Always wear ANSI-approved impact safety goggles. Wear a full face shield if you are producing flying wood chips.
8. **Do not overreach.** Keep proper footing and balance at all times. Do not reach over or across running machines.
9. **Maintain tools with care.** Keep tools sharp and clean for better and safer performance. Follow instructions for lubricating and changing accessories. Inspect tool air hoses periodically and, if damaged, have them repaired by an authorized technician. The handles must be kept clean, dry, and free from oil and grease at all times.
10. **Disconnect air line.** Unplug air line from the tool when not in use.
11. **Avoid unintentional starting.** Be sure the switch is in the Off (and locked) position when not in use and before plugging air line in. Do not carry any tool with your finger on the trigger, whether it is plugged in or not.
12. **Stay alert.** Watch what you are doing, use common sense. Do not operate any tool when you are tired.
13. **Check for damaged parts.** Before using any tool, a part that appears damaged should be carefully checked to determine that it will operate properly and perform its intended function. Check for alignment and binding of moving parts; any broken parts or mounting fixtures; and any other condition that may affect proper operation. Any part that is damaged should be properly repaired or replaced by a qualified technician. Do not use the tool if any switch does not turn On and Off properly.
14. **Replacement parts and accessories.** When servicing, use only identical replacement parts. Use of any other parts will void the warranty. Only use accessories intended for use with this tool. Approved accessories are available from Harbor Freight Tools.
15. **Do not operate tool if under the influence of alcohol or drugs.** Read warning labels if taking prescription medicine to determine if your judgment or reflexes are impaired while taking drugs. If there is any doubt, do not operate the tool.
16. **Maintenance.** For your safety, service and maintenance should be performed regularly by a qualified technician.
17. **Use tools with both hands when required.** Many tools such as chain saws, drills, routers, etc., require the use of both hands when operating. This helps maintain tool stability and keeps hands away from the working area of the tool.
18. **Compressed air only.** Never use combustible gas as a power source.

Product Specific Safety Precautions

1. **Always stabilize yourself on the ladder or platform before handling and activating the Pneumatic Garden Shears.** A second person may be helpful to stabilize the tool user when he is climbing a ladder or getting on a platform.
2. **Use great caution when cutting shrubs to avoid amputating fingers, hands or arms.** The blades activate under high pressure. Once the trigger is pulled, the pneumatic function of the cuttings blades will not stop until the cut is complete.
3. **Always disconnect the air line immediately after use.** Squeeze the trigger after the air line is disconnected to release any residual air in the chamber.
4. **Wear work gloves to protect your hands.**

Warning: The warnings, cautions, and instructions discussed in this instruction manual cannot cover all possible conditions and situations that may occur. It must be understood by the operator that common sense and caution are factors which cannot be built into this product, but must be supplied by the operator.

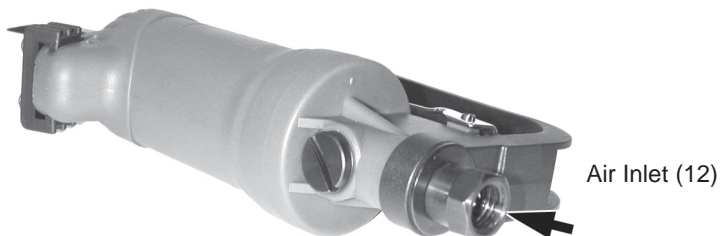
Unpacking

When unpacking, check to make sure that the parts of the Pneumatic Garden Shears are complete. If any parts are missing or broken, please call Harbor Freight Tools at the number on the cover of this manual.

Assembly

Air Connection

1. Attach an air hose (not supplied) to the Air Inlet (12) fitting.
2. Optionally, for easy connection or removal, attach an Air Quick-coupler (not supplied) to the air hose and Air Inlet (12) fitting.
3. Tighten all couplings and fittings.



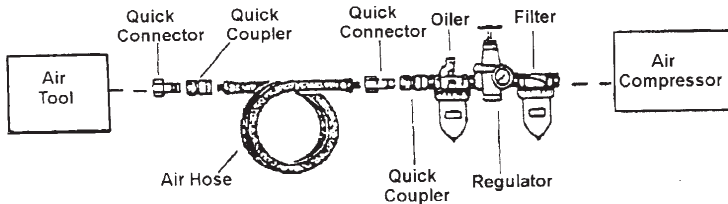
Oiler and Filter Connection

Dirt, water, and the lack of pneumatic tool oil are major causes for tool wear. Install an optional oiler-filter, as illustrated below for better performance.

1. Connect the air tool, air hoses, filter, and oiler to the Compressor Air Outlet as illustrated below.

The filter and oiler (not supplied) are recommended but not mandatory for operation. Also, for ease of air supply transport, a portable, rechargeable air supply would make it easier to maneuver the garden for trimming.

If the filter and oiler are not used, connect the air hose directly to the 1/4 inch, 18 NPT connector located at the Air Inlet (12) fitting. Also, a few drops of pneumatic tool oil must be added through the Air Inlet (12) before each use.



Note: Use pipe thread seal or Teflon tape on all threaded connections.

Operation

1. Place the air supply, sufficient length of air hose, and Pneumatic Shears near the tree or shrubs to be trimmed.
2. Turn the air pressure on at the air supply tank or compressor.
3. Brace yourself on the ground or ladder, then grasp the Pneumatic Shears by the handle.
4. Place the open blades over the branch to be cut.
5. Pull the Blade Safety Latch (38) down to unlock the blades.



6. Hold the handle of the Pneumatic Shears with both hands, release the safety latch on the Trigger Lever (22) and pull the Trigger Lever to begin the cut.
The blades will retract once the cut is complete.
7. When cutting is complete, push the Blade Safety Latch (38) up to lock the blades so they cannot close.
8. Disconnect the air supply hose.

Maintenance

1. After each use, remove the air hose and wipe the Pneumatic Shears with a clean cloth to remove any dirt and grease buildup.
2. To maintain tool life, always lubricate the air line by adding a few drops of pneumatic tool oil to the air line before each use. You can also install the automatic oiler-filter system, as illustrated on Page 5.
3. Before each use, drain water out of the air compressor tank and condensation from the air lines. Refer to the Air Compressor Operator's Manual.

Manual Tool Lubrication

1. Disconnect the Pneumatic Shears from the air supply and turn it so the Air Inlet (12) fitting is facing upward.
2. Hold the Trigger Lever (22) in and place one teaspoon of pneumatic tool oil into the air inlet (use SAE #10 weight oil if air tool oil is not available). Holding the Trigger Lever in helps circulate the oil in the air motor.
3. Connect the Pneumatic Shears to the air supply and cover the air outlet with a towel. Run for a few seconds. Excess oil will be blown out.

Troubleshooting

Problem	Probable Cause	Possible Solution
Shears do not cut when Trigger Lever pressed.	<ol style="list-style-type: none"> 1. Insufficient or no air supply. 2. Problem or leak in air hose. 3. Blade Safety Latch (38) is in the lock position. 	<ol style="list-style-type: none"> 1. Fill air tank or turn compressor on. 2. Check air hose connections. 3. Move the Blade Safety Latch to unlock.
Blades are not cutting properly.	<ol style="list-style-type: none"> 1. Loose Bolt (32). 2. Blades are dull. 3. Insufficient air pressure. 	<ol style="list-style-type: none"> 1. Tighten Bolt (32). 2. Have Blades sharpened by a qualified technician. 3. Check air supply tank for 90 PSI pressure.

Parts List

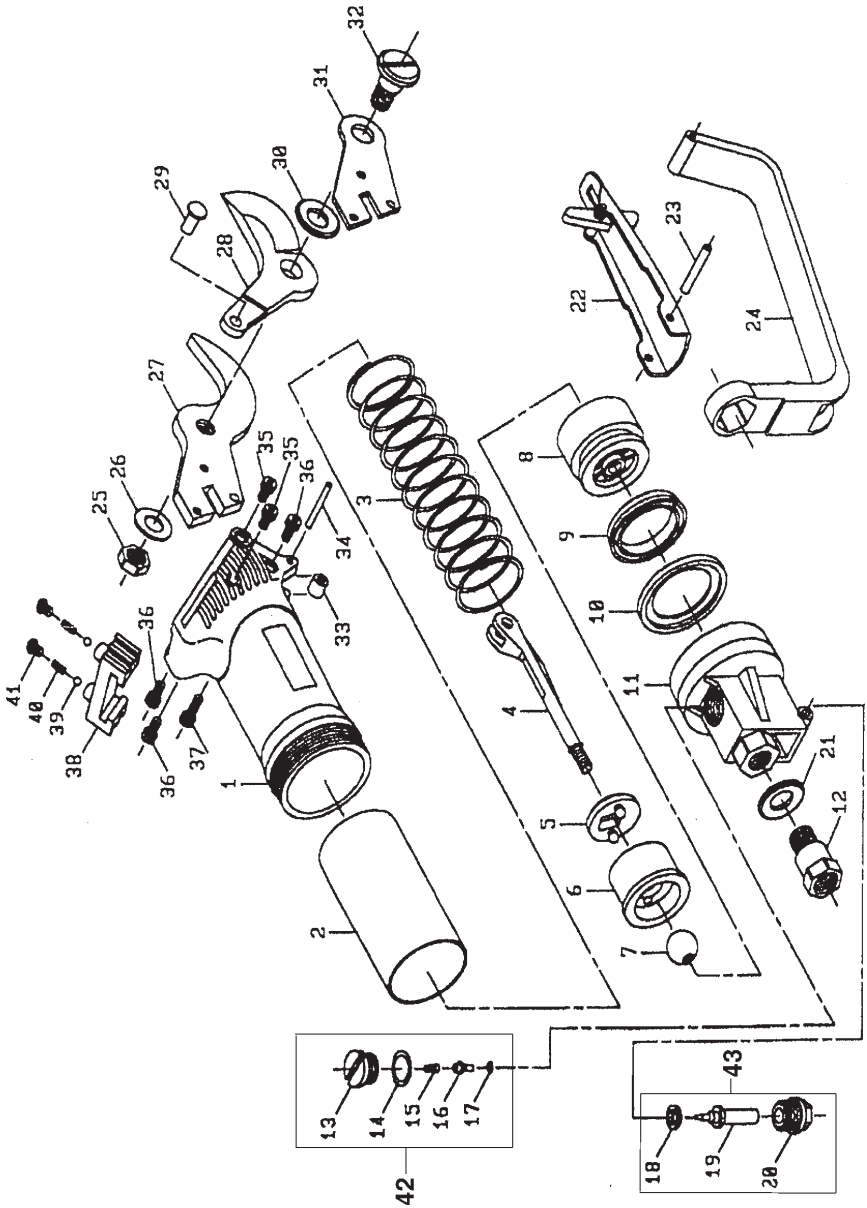
Item	Description	Qty	Item	Description	Qty
1.	Housing	1	23.	Pin	1
2.	Bushing	1	24.	Handle Guard	1
3.	Spring	1	25.	Nut	1
4.	Shaft	1	26.	Washer	1
5.	Bumper	1	27.	Left Blade	1
6.	Spring Plate	1	28.	Right Blade	1
7.	Jointer	1	29.	Pin	1
8.	Piston	1	30.	Washer	1
9.	Piston Ring	1	31.	Guide Plate	1
10.	Damping Ring	1	32.	Bolt	1
11.	Housing Cap	1	33.	Nut	1
12.	Air Inlet	1	34.	Pin	1
13.	Screw	1	35.	Screw, M4x6L	2
14.	O-ring	1	36.	Screw, M4x8L	3
15.	Spring	1	37.	Screw, M4x12L	1
16.	Front Push Rod	1	38.	Blade Safety Latch	1
17.	O-ring	1	39.	Steel Ball	2
18.	Damping Ring	1	40.	Spring	2
19.	Valve Stem	1	41.	Screw, M4x6L	2
20.	Screw	1	42.	Upper Valve Set*	1
21.	Washer	1	43.	Trigger Valve Set*	1
22.	Trigger Lever	1	44.	Blade Set* (27, 28, 29)*	1
			*		

NOTE: Some parts are listed and shown for illustration purposes only and are not available individually as replacement parts.

PLEASE READ THE FOLLOWING CAREFULLY

THE MANUFACTURER AND/OR DISTRIBUTOR HAS PROVIDED THE PARTS DIAGRAM IN THIS MANUAL AS A REFERENCE TOOL ONLY. NEITHER THE MANUFACTURER NOR DISTRIBUTOR MAKES ANY REPRESENTATION OR WARRANTY OF ANY KIND TO THE BUYER THAT HE OR SHE IS QUALIFIED TO MAKE ANY REPAIRS TO THE PRODUCT OR THAT HE OR SHE IS QUALIFIED TO REPLACE ANY PARTS OF THE PRODUCT. IN FACT, THE MANUFACTURER AND/OR DISTRIBUTOR EXPRESSLY STATES THAT ALL REPAIRS AND PARTS REPLACEMENTS SHOULD BE UNDERTAKEN BY CERTIFIED AND LICENSED TECHNICIANS AND NOT BY THE BUYER. THE BUYER ASSUMES ALL RISK AND LIABILITY ARISING OUT OF HIS OR HER REPAIRS TO THE ORIGINAL PRODUCT OR REPLACEMENT PARTS THERETO, OR ARISING OUT OF HIS OR HER INSTALLATION OF REPLACEMENT PARTS THERETO.

Assembly Drawing



Free Manuals Download Website

<http://myh66.com>

<http://usermanuals.us>

<http://www.somanuals.com>

<http://www.4manuals.cc>

<http://www.manual-lib.com>

<http://www.404manual.com>

<http://www.luxmanual.com>

<http://aubethermostatmanual.com>

Golf course search by state

<http://golfingnear.com>

Email search by domain

<http://emailbydomain.com>

Auto manuals search

<http://auto.somanuals.com>

TV manuals search

<http://tv.somanuals.com>