

CHICAGO
Electric[®]Power Tools

CHIPPER/SHREDDER

Model 95091

ASSEMBLY AND OPERATING INSTRUCTIONS



Do to continuing improvements, actual product may differ slightly from the product described herein.



3491 Mission Oaks Blvd., Camarillo, CA 93011

Visit our Web site at: <http://www.harborfreight.com>

**TO PREVENT SERIOUS INJURY,
READ AND UNDERSTAND ALL WARNINGS
AND INSTRUCTIONS BEFORE USE.**

Copyright © 2007 by Harbor Freight Tools®. All rights reserved. No portion of this manual or any artwork contained herein may be reproduced in any shape or form without the express written consent of Harbor Freight Tools.

For technical questions, please call 1-800-444-3353.

PRODUCT SPECIFICATIONS

Item	Description
Electrical Requirements	120 VAC / 60 Hz / 3400 RPM Power Switch: Rocker Switch with Safety Key Power Cord: 14 AWG x 3 C (SJT) / 5'3" Long Power Plug: 3-Prong / Grounded
Maximum Limb Capacity	Up to 1-1/4" Diameter
Feed Inlet Size	5-1/2" Long x 1-1/2" Wide
Hopper Opening Size	14-1/2" Long x 10-3/4" Wide
Wheel Type	Solid Rubber with Plastic Hub 6-1/4" Diameter x 1-3/8" Wide
Cutter Blade	Single Blade Chipper Wheel 3-1/8" Long x 1-3/8" Wide
Overall Dimensions	19-5/8" Long x 14-1/4" Wide x 37-7/8" High
Net Weight	28 Pounds

SAVE THIS MANUAL

You will need this manual for the safety warnings and precautions, assembly, operating, inspection, maintenance and cleaning procedures, parts list and assembly diagram. Keep your invoice with this manual. Write the invoice number on the inside of the front cover. Keep this manual and invoice in a safe and dry place for future reference.


GENERAL SAFETY RULES AND PRECAUTIONS

WARNING!

READ AND UNDERSTAND ALL INSTRUCTIONS
Failure to follow all instructions listed below may result in electric shock, fire, and/or serious injury.

SAVE THESE INSTRUCTIONS


WORK AREA

1. **Keep your work area clean and well lit.** Cluttered benches and dark areas invite accidents.
2.  **Do not operate power tools in explosive atmospheres, such as in the presence of flammable liquids, gases, or dust.** Power tools create

sparks which may ignite the dust or fumes.

3. **Keep bystanders, children, and visitors away while operating a power tool.** Distractions can cause you to lose control. Provide barriers or shields as needed. Children should never be allowed in the work area.


ELECTRICAL SAFETY

4. **Grounded tools must be plugged into an outlet properly installed and grounded in accordance with all codes and ordinances. Never remove the grounding prong or modify the plug in any way. Do not use any adapter plugs. Check with a qualified electrician if you are in doubt as to whether the outlet is properly grounded.** If the tools should electrically malfunction or break down, grounding provides a low resistance path to carry electricity away from the user.
5. **Double insulated tools are equipped with a polarized plug (one blade is wider than the other).** This plug will fit in a polarized outlet only one way. If the plug does not fit fully in the outlet, reverse the plug. If it still does not fit, contact a qualified electrician to install a polarized outlet. Do not change the plug in any way. Double insulation  eliminates the need for the three wire grounded power cord and grounded power supply system.
6. **Avoid body contact with grounded surfaces such as pipes, radiators, ranges, and refrigerators.** There is an increased risk of electric shock if your body is grounded.
7. **Do not expose power tools to rain or wet conditions.** Water entering power equipment will increase the risk of electric shock.
8. **Do not abuse the Power Cord. Never use the Power Cord to pull the Plug from an outlet. Keep the Power Cord away from heat, oil, sharp edges, or moving parts. Replace damaged Power Cords immediately.** Damaged Power Cords increase the risk of electric shock.
9. **When operating a power tool outside, use an outdoor extension cord marked “W-A” or “W”.** These extension cords are rated for outdoor use, and reduce the risk of electric shock.

PERSONAL SAFETY

10. **Stay alert. Watch what you are doing, and use common sense when operating the Wood Shaper. Do not use the tool while tired or under the influence of drugs, alcohol, or medication.** A moment of inattention while

operating power tools may result in serious personal injury.

11. **Dress properly. Do not wear loose clothing or jewelry. Contain long hair. Keep your hair, clothing, and gloves away from moving parts.** Loose clothes, jewelry, or long hair can be caught in moving parts.
12. **Avoid accidental starting.** Make sure the Power Switch is off before plugging in. Carrying power tools with your finger on the Power Switch, or plugging in power tools with the Power Switch on, invites accidents.
13. **Remove adjusting keys or wrenches before turning the power tool on.** A key or a wrench that is left attached to a rotating part of the power tool may result in personal injury.
14. **Do not overreach. Keep proper footing and balance at all times.** Proper footing and balance enables better control of the power tool in unexpected situations.
15.  **Use safety equipment. Always wear eye protection.** Always wear ANSI approved safety impact goggles, heavy duty work gloves, and a dust mask or respirator when using this product. ANSI approved hearing protection must also be used.

TOOL USE AND CARE

16. **Do not force the tool.** Use the correct tool for your application. The correct tool will do the job better and safer at the rate for which it is designed.
17. **Do not use the power tool if the Power Switch does not turn it on or off.** Any tool that cannot be controlled with the Power Switch is dangerous and must be replaced.
18. **Disconnect the Power Cord Plug from the power source before making any adjustments, changing accessories, or storing the tool.** Such preventative safety measures reduce the risk of starting the unit accidentally.
19. **Store idle tools out of reach of children and other untrained persons.** Tools are dangerous in the hands of untrained users.
20. **Maintain tools with care.** Properly maintained tools are less likely to malfunction and are easier to control. Do not use a damaged tool. Tag damaged tools “**Do not use**” until repaired.
21. **Check for misalignment or binding of moving parts, breakage of parts, and any other condition that may affect the tool’s operation. If damaged, have**


the tool serviced before using. Many accidents are caused by poorly maintained tools.

22. **Use only accessories that are recommended by the manufacturer for your model.** Accessories that may be suitable for one tool may become hazardous when used on another tool.

SERVICE



23. **Tool service must be performed only by qualified repair personnel.** Service or maintenance performed by unqualified personnel could result in a risk of injury.
24. **When servicing a tool, use only identical replacement parts. Follow instructions in the “*Inspection, Maintenance, And Cleaning*” section of this manual.** Use of unauthorized parts or failure to follow maintenance instructions may create a risk of electric shock or injury.

SPECIFIC SAFETY RULES AND PRECAUTIONS

1. **Maintain labels and nameplates on the Chipper/Shredder.** These carry important information. If unreadable or missing, contact Harbor Freight Tools for a replacement.
2. **Make sure the Chipper/Shredder is located on a flat, level, sturdy surface capable of supporting the weight of the Chipper/Shredder and any additional tools and equipment.** Do not use on a sloped surface.
3. **Industrial applications must follow OSHA guidelines.**
4. **Never stand on the Chipper/Shredder.** Serious injury could result if the machine is tipped.
5. **Never leave the Chipper/Shredder unattended when it is running.** Turn off the Power Switch and unplug the tool before leaving.
6.  **Be extremely cautious of the rotating Blade in the Chipper/Shredder. Never allow your hands, fingers, or any other part of your body to enter the Chipper/Shredder hopper.**
7. **Never place your hands, fingers, feet, or any other part of your body close to the Discharge Opening while the Chipper/Shredder is in operation.**
8. **Do not look into the Hopper or Discharge Opening when the machine is running.**
9. **Never allow metal, stone, glass, or other foreign objects to be fed into the**

REV 07f

Chipper/Shredder. Use a stick to push the tree limbs, leaves, etc. into the feed Hopper.

10. **Make sure the plastic cover on the Hopper is closed when the machine is running.**
11. **Always feed large branches slowly into the machine.** Branches larger than 1-1/4" diameter should never be fed into the machine.
12. **Do not allow processed material to build up in the discharge area.** This may prevent proper discharge and can result in kickback of material through the feed Hopper.
13. **If the machine becomes clogged, immediately turn off the Power Switch of the unit. Unplug the unit from its electrical outlet. Wait until the Chipper/Shredder comes to a complete stop.** Then clear the machine of the clogged material.
14. **Do not allow children and other unauthorized people to handle or play with the Chipper/Shredder.** Never allow people or animals in the work area.
15. **Do not force the Chipper/Shredder.** This tool will do the work better and safer at the speed and capacity for which it was designed.
16.  **WARNING!** People with pacemakers should consult their physician(s) before use. Electromagnetic fields in close proximity to a heart pacemaker could cause pacemaker interference or pacemaker failure.
17.  **WARNING!** The warnings and precautions discussed in this manual cannot cover all possible conditions and situations that may occur. It must be understood by the operator that common sense and caution are factors which cannot be built into this product, but must be supplied by the operator.

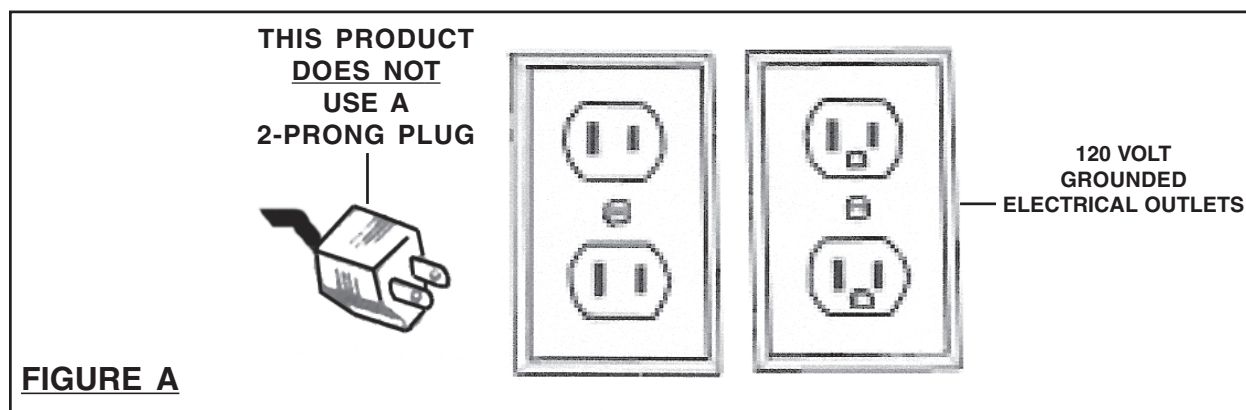
GROUNDING

WARNING!

Improperly connecting the grounding wire can result in the risk of electric shock. Check with a qualified electrician if you are in doubt as to whether the outlet is properly grounded. Do not modify the power cord plug provided with the tool. Never remove the grounding prong from the plug. Do not use the tool if the power cord or plug is damaged. If damaged, have it repaired by a service facility before use. If the plug will not fit the outlet, have a proper outlet installed by a qualified electrician.

DOUBLE INSULATED TOOLS: TOOLS WITH TWO PRONG PLUGS

1. Tools marked “Double Insulated” do not require grounding. They have a special double insulation system which satisfies OSHA requirements and complies with the applicable standards of Underwriters Laboratories, Inc., the Canadian Standard Association, and the National Electrical Code. **(See Figure A.)**
2. Double insulated tools may be used in either of the 120 volt outlets as shown in the following illustration. **(See Figure A.)**

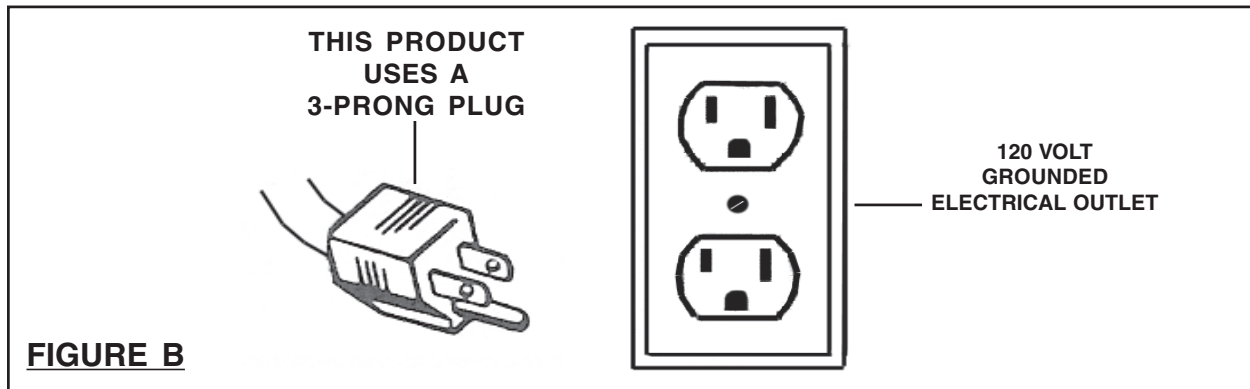


GROUNDING TOOLS: TOOLS WITH THREE PRONG PLUGS

1. Tools marked with “Grounding Required” have a three wire cord and three prong grounding plug. The plug must be connected to a properly grounded outlet. If the tool should electrically malfunction or break down, grounding provides a low resistance path to carry electricity away from the user, reducing the risk of electric shock. **(See Figure B, next page.)**
2. The grounding prong in the plug is connected through the green wire inside the cord to the grounding system in the tool. The green wire in the cord must be the

only wire connected to the tool's grounding system and must never be attached to an electrically "live" terminal. **(See Figure B.)**

3. The Chipper/Shredder must be plugged into an appropriate outlet, properly installed and grounded in accordance with all codes and ordinances. The plug and outlet should look like those in the following illustration. **(See Figure B.)**



EXTENSION CORDS

1. **Grounded** tools require a three wire extension cord. **Double Insulated** tools can use either a two or three wire extension cord.
2. As the distance from the supply outlet increases, you must use a heavier gauge extension cord. Using extension cords with inadequately sized wire causes a serious drop in voltage, resulting in loss of power and possible tool damage. **(See Figure C, next page.)**
3. The smaller the gauge number of the wire, the greater the capacity of the cord. For example, a 14 gauge cord can carry a higher current than a 16 gauge cord. **(See Figure C, next page.)**
4. When using more than one extension cord to make up the total length, make sure each cord contains at least the minimum wire size required. **(See Figure C, next page.)**
5. If you are using one extension cord for more than one tool, add the nameplate amperes and use the sum to determine the required minimum cord size. **(See Figure C, next page.)**
6. If you are using an extension cord outdoors, make sure it is marked with the suffix "W-A" ("W" in Canada) to indicate it is acceptable for outdoor use.
7. Make sure your extension cord is properly wired and in good electrical condition.

Always replace a damaged extension cord or have it repaired by a qualified electrician before using it.

8. Protect your extension cords from sharp objects, excessive heat, and damp or wet areas.

Recommended Minimum Wire Gauge For Extension Cords* (120 Volt)					
NAMEPLATE AMPERES (At Full Load)	EXTENSION CORD LENGTH				
	25 Feet	50 Feet	75 Feet	100 Feet	150 Feet
0 – 2.0	18	18	18	18	16
2.1 – 3.4	18	18	18	16	14
3.5 – 5.0	18	18	16	14	12
5.1 – 7.0	18	16	14	12	12
7.1 – 12.0	18	14	12	10	-
12.1 – 16.0	14	12	10	-	-
16.1 – 20.0	12	10	-	-	-

FIGURE C * Based on limiting the line voltage drop to five volts at 150% of the rated amperage.

SYMBOLOLOGY






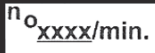

	Double Insulated
	Canadian Standards Association
	Underwriters Laboratories, Inc.
	Volts Alternating Current
	Amperes
	No Load Revolutions per Minute (RPM)

FIGURE D

UNPACKING

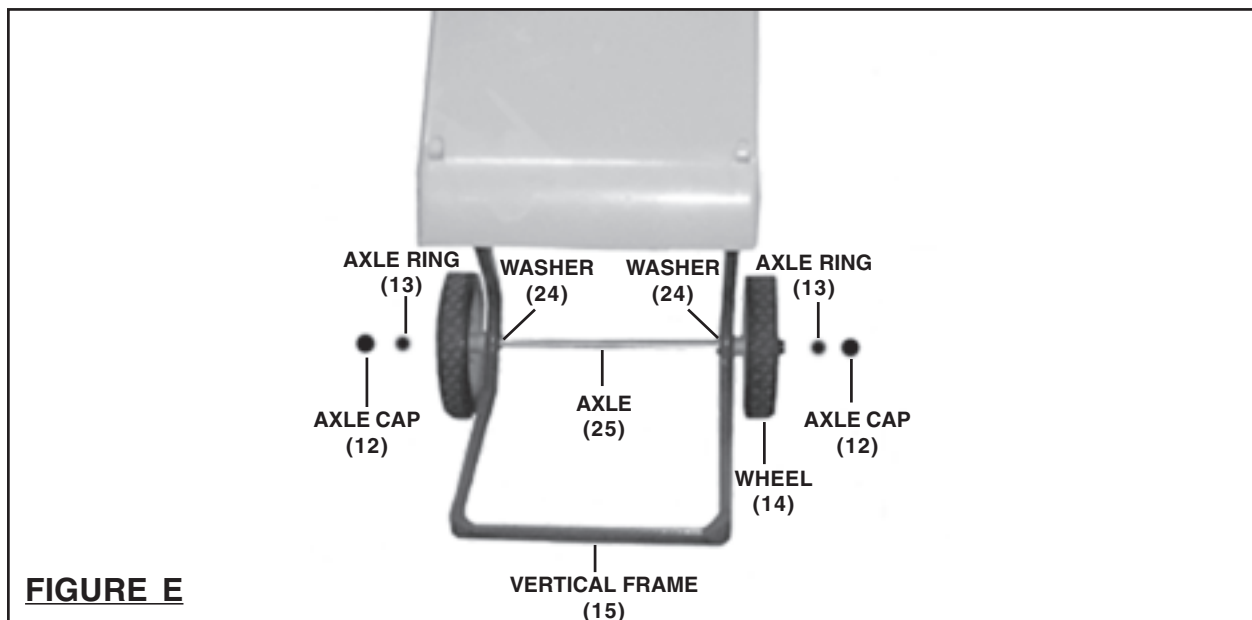
When unpacking, check to make sure all the parts shown on the **Parts List on page 15** are included. If any parts are missing or broken, please call Harbor Freight Tools at the number shown on the cover of this manual as soon as possible.

ASSEMBLY INSTRUCTIONS

1.  **CAUTION!** Make sure the Power Switch (42) of the Chipper/Shredder is in its “OFF” position and the unit is unplugged from its electrical outlet prior to performing assembly procedures.

To Attach The Wheels:

1. Move the Chipper/Shredder to a clean, dry, level area in which to perform the necessary assembly.
2. Place one Washer (24) on each end of the Axle (25). **(See Figure E.)**
3. Insert the ends of the Axle (25) through the two Vertical Frames (15). **(See Figure E.)**
4. Place one Wheel (14) on each end of the Axle (25). **(See Figure E.)**
5. Place one Axle Ring (13) on each end of the Axle (25). **(See Figure E.)**
6. Secure the Wheels (14) to the Axle (25) by lightly tapping (with a hammer) an Axle Cap (12) onto each end of the Axle. **(See Figure E.)**

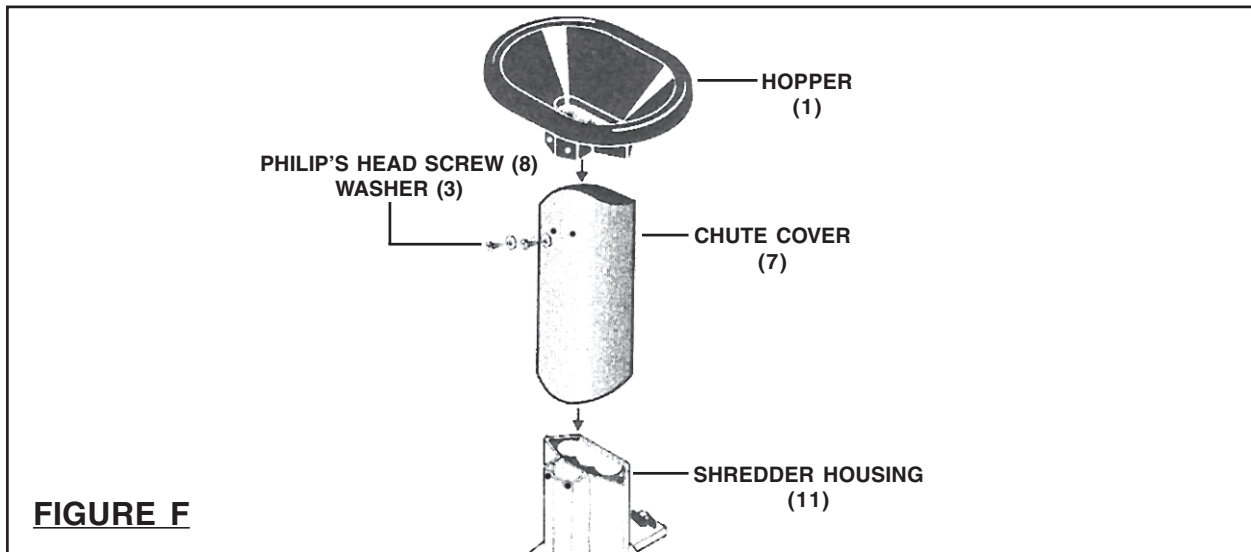


To Attach The Chute Cover And Hopper:


1. Slide the Chute Cover (7) downward over the upper portion of the Shredder

Housing (11), making sure to align the two mounting holes in the Chute Cover (7) with the two *threaded* mounting holes in the Shredder Housing. **(See Figure F.)**

2. Insert the Hopper (1) into the Chute Cover (7), making sure to align the two mounting holes in the Hopper with the two mounting holes in the Chute Cover (7). **(See Figure F.)**
3. Place a Washer (3) on two Philip's Head Screws (8). Then secure the Chute Cover (7) and Hopper (1) to the upper portion of the Shredder Housing (11) with the two Philip's Screws. **(See Figure F.)**



OPERATING INSTRUCTIONS

1.  **Use safety equipment. Always wear eye protection.** Always wear ANSI approved safety impact goggles, heavy duty work gloves, and a dust mask or respirator when using this product. ANSI approved hearing protection must also be used.
2. Make sure the Chipper/Shredder is located on a flat, level, sturdy surface capable of supporting the weight of the Chipper/Shredder and any additional tools and equipment.
3. **IMPORTANT:** The Chipper/Shredder features a Safety Switch (48) and can only be started when the Shredder Housing (11) is correctly closed. The Wing Nut (36) is used to fasten the Shredder Housing and Lower Housing (62) together. The Wing Nut **MUST be tightened securely** prior to and during each use of the Chipper/Shredder. Should the Wing Nut become loose, the Chipper/Shredder will *not* start and/or will automatically turn itself off. **(See Figure G, next page.)**

4. **⚠ CAUTION!** Make sure the Chipper/Shredder is empty of material prior to starting the unit.
5. Check to make sure the Wing Nut (36) is securely tightened. **(See Figure G.)**
6. Check to make sure the Power Switch (42) is in its “**OFF**” position. Then plug the Power Cord of the unit into the nearest 120 volt, grounded, electrical outlet. **(See Figure G.)**
7. **NOTE:** The Power Switch (42) features a Safety Key to prohibit unauthorized people from turning on the Chipper/Shredder. To use this feature, turn the Power Switch to its “**OFF**” position. Then, remove the Safety Key from the Power Switch and store the Safety Key in a safe location. The Safety Key must be reinserted in the Power Switch to turn on the Chipper/Shredder. **(See Figure G.)**
8. Insert the Safety Key into the Power Switch (42). Then turn the Power Switch to its “**ON**” position to start the Chipper/Shredder. **(See Figure G.)**
9. Allow sufficient time for the Chipper/Shredder to run at full speed before feeding material into the Hopper (1) of the unit.
10. **IMPORTANT: Do not force the Chipper/Shredder.** Branches cannot be more than **1-1/4”** in diameter for the Chipper/Shredder. Do not attempt to force larger branches into the Hopper (1). Let the natural suction process take in the material to be cut. **(See Figure G.)**

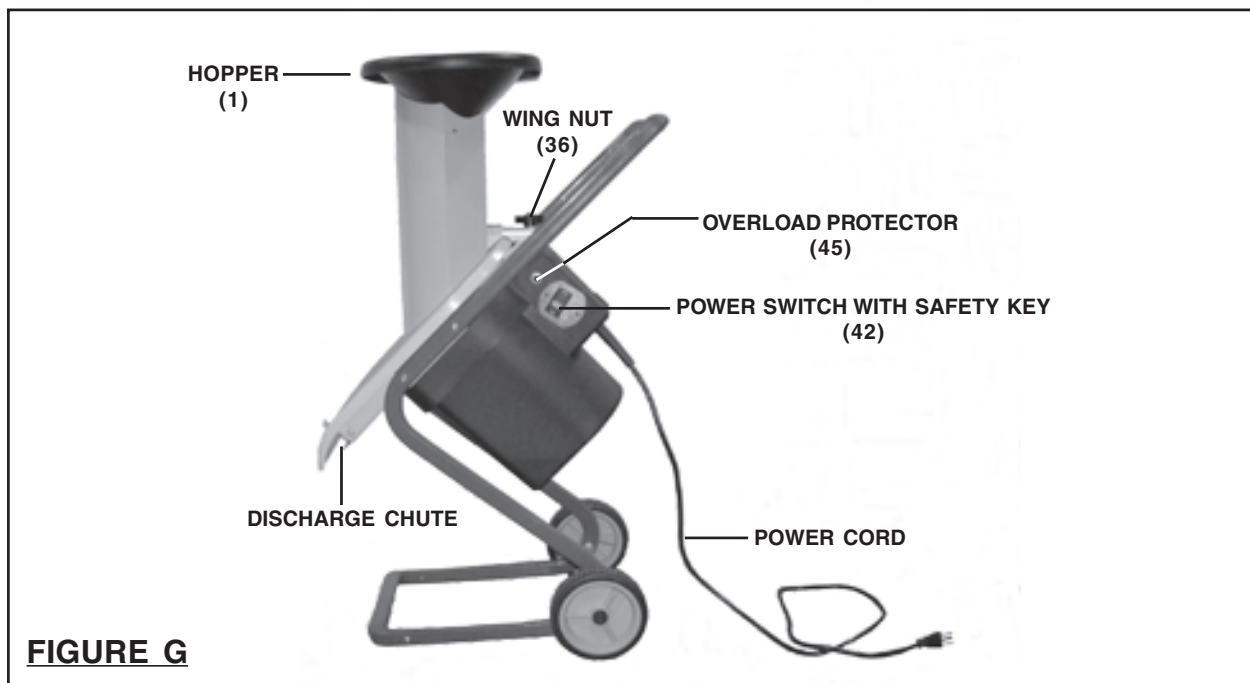





FIGURE G

11. Without putting your hands into the Hopper (1), slowly drop the material into the Hopper (one branch at a time). The machine will pull the material in automatically. **(See Figure G.)**
12.  **WARNING!** Never use your hands to feed material into the Hopper (1). If needed, use a stick to push the branches, leaves, etc. into the Hopper. **(See Figure G.)**
13. **Always stand clear and to the side of the Discharge Chute located at the bottom of the Chipper/Shredder. (See Figure G.)**
14. Do not allow processed material to build-up in the Discharge Chute. This may prevent proper discharge and can result in kickback of material through the Hopper (1). **(See Figure G.)**
15. Should the Chipper/Shredder jam during use, immediately turn the unit's Power Switch (42) to its **"OFF"** position and remove the Safety Key. Unplug the unit from its electrical outlet. Wait until the machine completely stops. Clear the jam in the Blade (56) of the machine. Then, resume operation. **(See Figure G.)**
16. **NOTE:** The Chipper/Shredder features an Overload Protector (45). If the Motor shuts off or fails to start due to overloading (cutting material too fast, using a dull Blade, low voltage, using the machine beyond its capacity, etc.), turn the Power Switch (42) to its **"OFF"** position. Let the Motor cool three to five minutes, and push the Overload Protector button which will reset the overload device. The Motor can then be turned on again in the usual manner. **(See Figure G.)**
17. When finished, turn the machine's Power Switch (42) to its **"OFF"** position. Unplug the unit from its electrical outlet and wait until the machine completely stops. Then, open the upper cover of the Shredder Housing (11) and clean out the interior of the machine and its Discharge Chute. **(See Figure G.)**
18. Make sure to store the Chipper/Shredder in a clean, dry, safe location out of reach of children and other unauthorized people.

INSPECTION, MAINTENANCE, AND CLEANING

1.  **WARNING!** Always make sure the machine's Power Switch (42) is in its **"OFF"** position and the unit is unplugged from its electrical outlet prior to performing any service, maintenance, or cleaning of the Chipper/Shredder.
2. **Before each use**, inspect the general condition of the Chipper/Shredder. Check for loose screws, misalignment or binding of moving parts, cracked or broken parts, and any other condition that may affect the safe operation of the machine.

If abnormal noise or vibration occurs, have the problem corrected before further use. **Do not use damaged equipment.**

3. **To clean the unit**, use a clean cloth and mild detergent. Do not use solvents. Do not expose the electrical parts of the machine to water or any other liquids.
4.  **CAUTION! All maintenance, service, or repairs not mentioned in this manual must only be performed by a qualified service technician.**

TROUBLESHOOTING

Problem	Possible Cause	Solution
Motor will not start.	<ol style="list-style-type: none"> 1. No current is coming out of the outlet. 2. The upper housing of the unit is not properly closed. 3. The extension cord is defective. 4. The power switch is defective. 5. The motor and/or capacitor is defective. 6. Shredder material is obstructing the cutter blade. 	<ol style="list-style-type: none"> 1. Make sure to plug the unit into a working, 120 volt, grounded, electrical outlet. 2. Tighten the safety screw securely. 3. Replace the extension cord. 4. Have a qualified service technician replace the power switch. 5. Have a qualified service technician replace the motor and/or capacitor. 6. Turn off and unplug the unit. Open the upper housing and clean out the shredder material.
Motor will not start. But the safety screw is securely tightened.	<ol style="list-style-type: none"> 1. The gauge of the extension cord used is too small. 	<ol style="list-style-type: none"> 1. Use a larger gauge extension cord. Refer to "Extension Cord" table in this manual.
Motor overloads and shuts off.	<ol style="list-style-type: none"> 1. The quantity of wet shredder material is too high. 2. The cutter blade and output areas are clogged. 3. The cutter blade is dull. 4. The gauge of the extension cord used is too small. 	<ol style="list-style-type: none"> 1. Select a smaller quantity of wet shredder material. Occasionally, include dry shredder material. 2. Turn off and unplug unit. Open the upper housing and clean areas. 3. Have a qualified service technician sharpen or replace cutter blade. 4. Use a larger gauge extension cord. Refer to "Extension Cord" table in this manual.
The Shredder intake is diminished, reducing cutting capacity.	<ol style="list-style-type: none"> 1. The cutter blade is dull. 	<ol style="list-style-type: none"> 1. Have a qualified service technician sharpen or replace cutter blade.

PLEASE READ THE FOLLOWING CAREFULLY

THE MANUFACTURER AND/OR DISTRIBUTOR HAS PROVIDED THE PARTS LIST AND ASSEMBLY DIAGRAM IN THIS MANUAL AS A REFERENCE TOOL ONLY. NEITHER THE MANUFACTURER OR DISTRIBUTOR MAKES ANY REPRESENTATION OR WARRANTY OF ANY KIND TO THE BUYER THAT HE OR SHE IS QUALIFIED TO REPLACE ANY PARTS OF THE PRODUCT. IN FACT, THE MANUFACTURER AND/OR DISTRIBUTOR EXPRESSLY STATES THAT ALL REPAIRS AND PARTS REPLACEMENTS SHOULD BE UNDERTAKEN BY CERTIFIED AND LICENSED TECHNICIANS, AND NOT BY THE BUYER. THE BUYER ASSUMES ALL RISKS AND LIABILITY ARISING OUT OF HIS OR HER REPAIRS TO THE ORIGINAL PRODUCT OR REPLACEMENT PARTS THERETO, OR ARISING OUT OF HIS OR HER INSTALLATION OF REPLACEMENT PARTS THERETO.

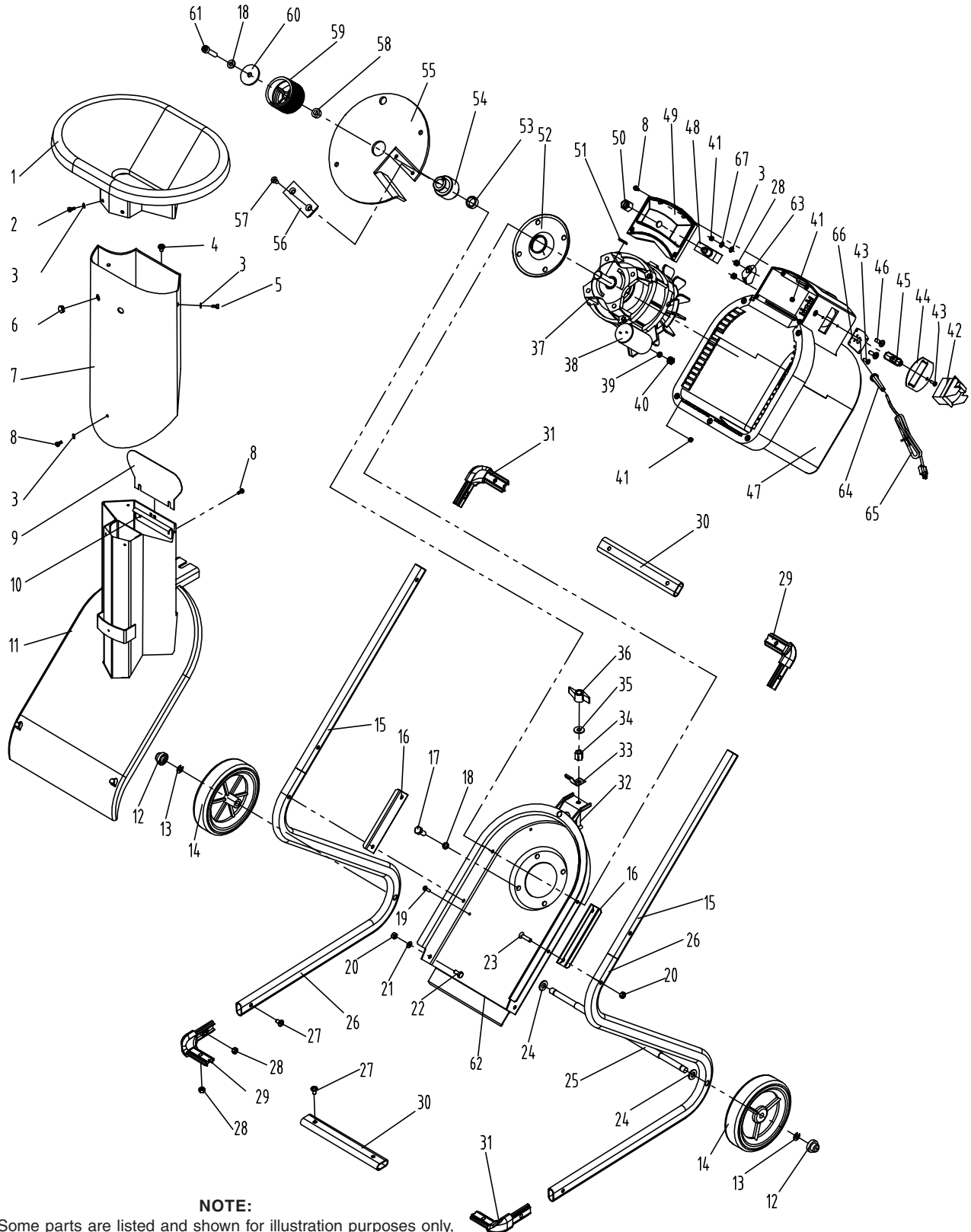
PARTS LIST

Part #	Description	Qty.	Part #	Description	Qty.
1	Hopper	1	35	Large Washer	1
2	Safety Screw	2	36	Wing Nut	1
3	Washer	5	37	Motor Assy.	1
4	Philips Screw	1	38	Capacitor	1
5	Safety Screw	2	39	Toothed Lock Washer	1
6	Screw Cap	2	40	Hex Nut (Type I)	1
7	Chute Cover	1	41	Hex Nut (Type I)	6
8	Philips Screw	7	42	Power Switch w/Safety Key	1
9	Safety Bracket	1	43	Philips Screw	2
10	Press Plate	1	44	Switch Board	1
11	Shredder Housing (Upper Cover)	1	45	Overload Protector	1
12	Axle Cap	2	46	Outlet	1
13	Axle Ring	2	47	Motor Housing	1
14	Wheel	2	48	Safety Switch	1
15	Frame (Vertical)	2	49	Electric Appliance Box Cover	1
16	Frame Connection Board	2	50	Micro Switch Bushing	1
17	Hex Bolt	4	51	Key	1
18	Lock Washer	5	52	Connection Board	1
19	Recess Head Screw	4	53	Bushing	1
20	Insert Nut (Non-Metal)	6	54	Shaft Bushing	1
21	Washer	2	55	Blade Board	1
22	Hex Bolt	2	56	Blade	1
23	Recess Head Screw	4	57	Hex Socket Bolt	2
24	Washer	2	58	Pad Bushing	1
25	Axle	1	59	Scroll	1
26	Lower Frame	2	60	Gasket	1
27	Hex Pan Head Bolt	8	61	Hex Socket Bolt	1
28	Hex Nut (Type I)	8	62	Lower Housing	1
29	Frame Connection Bar (II)	2	63	Press Wire Plate	1
30	Frame (Horizontal)	2	64	Cord Protector	1
31	Frame Connection Bar (I)	2	65	Power Cord and Plug	1
32	Recess Head Screw	1	66	Wire Plate	1
33	Spring Plate	1	67	Lock Washer	4
34	Special Nut	1			

NOTE:

Some parts are listed and shown for illustration purposes only and are not available individually as replacement parts.

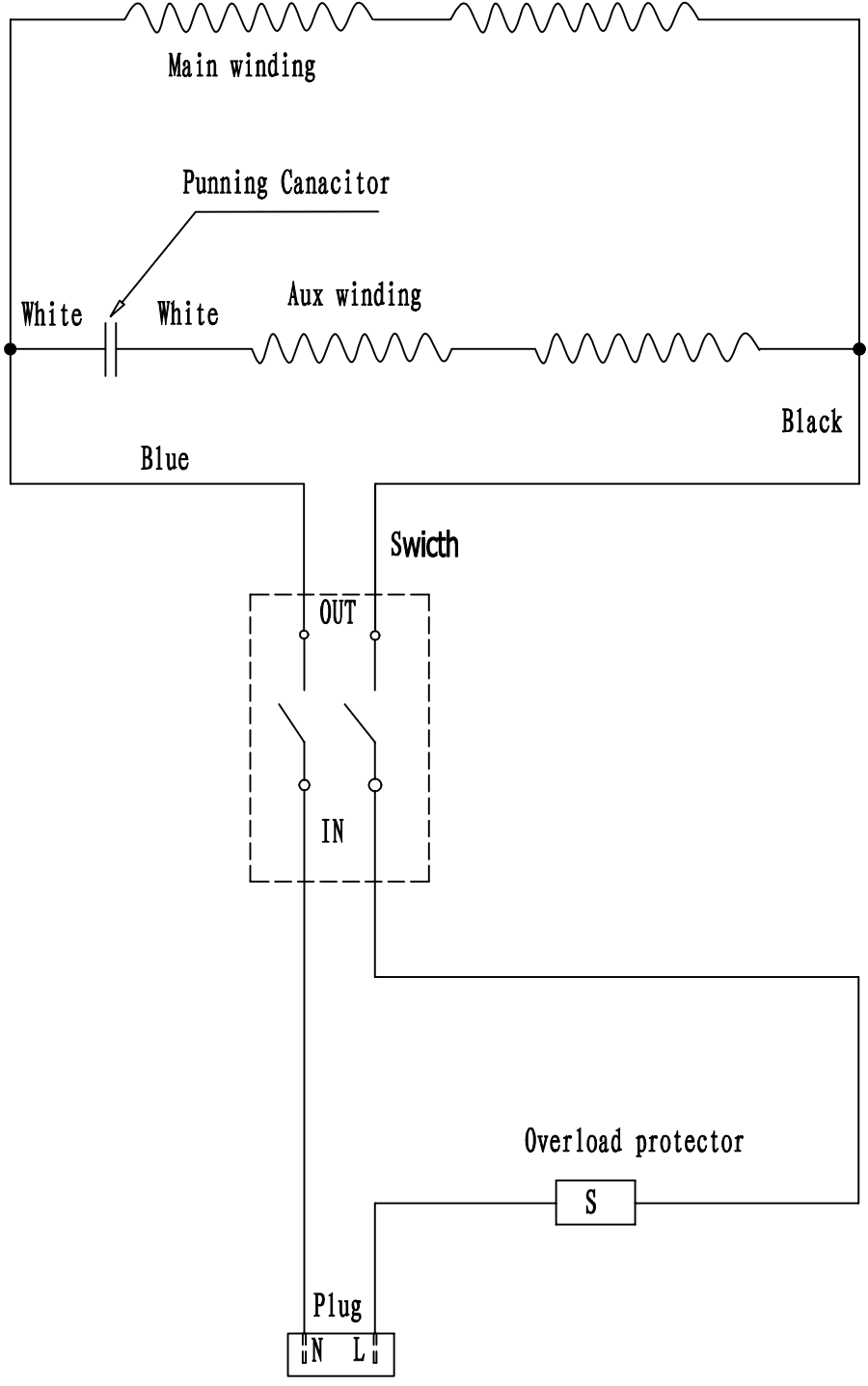
ASSEMBLY DIAGRAM



NOTE:

Some parts are listed and shown for illustration purposes only, and are not available individually as replacement parts.

ELECTRICAL SCHEMATIC



IMPORTANT WARRANTY INFORMATION

LIMITED 90 DAY WARRANTY

Harbor Freight Tools Co. makes every effort to assure that its products meet high quality and durability standards, and warrants to the original purchaser that this product is free from defects in materials and workmanship for the period of 90 days from the date of purchase. This warranty does not apply to damage due directly or indirectly, to misuse, abuse, negligence or accidents, repairs or alterations outside our facilities, criminal activity, improper installation, normal wear and tear, or to lack of maintenance. We shall in no event be liable for death, injuries to persons or property, or for incidental, contingent, special or consequential damages arising from the use of our product. Some states do not allow the exclusion or limitation of incidental or consequential damages, so the above limitation of exclusion may not apply to you. THIS WARRANTY IS EXPRESSLY IN LIEU OF ALL OTHER WARRANTIES, EXPRESS OR IMPLIED, INCLUDING THE WARRANTIES OF MERCHANTABILITY AND FITNESS.

To take advantage of this warranty, the product or part must be returned to us with transportation charges prepaid. Proof of purchase date and an explanation of the complaint must accompany the merchandise. If our inspection verifies the defect, we will either repair or replace the product at our election or we may elect to refund the purchase price if we cannot readily and quickly provide you with a replacement. We will return repaired products at our expense, but if we determine there is no defect, or that the defect resulted from causes not within the scope of our warranty, then you must bear the cost of returning the product.

This warranty gives you specific legal rights and you may also have other rights which vary from state to state.

3491 Mission Oaks Blvd. • PO Box 6009 • Camarillo, CA 93011 • (800) 444-3353

Free Manuals Download Website

<http://myh66.com>

<http://usermanuals.us>

<http://www.somanuals.com>

<http://www.4manuals.cc>

<http://www.manual-lib.com>

<http://www.404manual.com>

<http://www.luxmanual.com>

<http://aubethermostatmanual.com>

Golf course search by state

<http://golfingnear.com>

Email search by domain

<http://emailbydomain.com>

Auto manuals search

<http://auto.somanuals.com>

TV manuals search

<http://tv.somanuals.com>