



# 18 VOLT 5-1/2" CORDLESS CIRCULAR SAW

**Model 67026**

## SET UP AND OPERATING INSTRUCTIONS



**NOTE: BATTERY PACK (67029) SOLD SEPARATELY.**

Distributed exclusively by Harbor Freight Tools®.

3491 Mission Oaks Blvd., Camarillo, CA 93011

Visit our website at: <http://www.harborfreight.com>



**Read this material before using this product.  
Failure to do so can result in serious injury.  
SAVE THIS MANUAL.**

Copyright© 2009 by Harbor Freight Tools®. All rights reserved. No portion of this manual or any artwork contained herein may be reproduced in any shape or form without the express written consent of Harbor Freight Tools. Diagrams within this manual may not be drawn proportionally. Due to continuing improvements, actual product may differ slightly from the product described herein. Tools required for assembly and service may not be included.

**For technical questions or replacement parts, please call 1-800-444-3353.**

---

## SAVE THIS MANUAL

---

Keep this manual for the safety warnings and precautions, assembly, operating, inspection, maintenance and cleaning procedures. Write the product's serial number in the back of the manual near the assembly diagram (or month and year of purchase if product has no number). Keep this manual and the receipt in a safe and dry place for future reference.

---

## IMPORTANT SAFETY INFORMATION

---

In this manual, on the labeling, and all other information provided with this product:



This is the safety alert symbol. It is used to alert you to potential personal injury hazards. Obey all safety messages that follow this symbol to avoid possible injury or death.

### **DANGER**

**DANGER** indicates a hazardous

situation which, if not avoided, will result in death or serious injury.

### **WARNING**

**WARNING** indicates a

hazardous situation which, if not avoided, could result in death or serious injury.

### **CAUTION**

**CAUTION**, used with the safety

alert symbol, indicates a hazardous situation which, if not avoided, could result in minor or moderate injury.

### **NOTICE**

**NOTICE** is used to address practices not related to personal injury.

### **CAUTION**

**CAUTION**, without the safety alert symbol, is used to address practices not related to personal injury.

---

## General Power Tool Safety Warnings



**WARNING** Read all safety warnings and instructions.

*Failure to follow the warnings and instructions may result in electric shock, fire and/or serious injury.*

**Save all warnings and instructions for future reference.**

*The term "power tool" in the warnings refers to your mains-operated (corded) power tool or battery-operated (cordless) power tool.*

1. **Work area safety**
  - a. **Keep work area clean and well lit.** *Cluttered or dark areas invite accidents.*
  - b. **Do not operate power tools in explosive atmospheres, such as in the presence of flammable liquids, gases or dust.** *Power tools create sparks which may ignite the dust or fumes.*
  - c. **Keep children and bystanders away while operating a power tool.** *Distractions can cause you to lose control.*
2. **Electrical safety**

**Do not expose power tools to rain or wet conditions.** *Water entering*

*a power tool will increase the risk of electric shock.*

### 3. Personal safety

- a. **Stay alert, watch what you are doing and use common sense when operating a power tool. Do not use a power tool while you are tired or under the influence of drugs, alcohol or medication. A moment of inattention while operating power tools may result in serious personal injury.**
- b. **Use safety equipment. Always wear eye protection.** *Safety equipment such as dust mask, non-skid safety shoes, hard hat, or hearing protection used for appropriate conditions will reduce personal injuries.*
- c. **Prevent unintentional starting. Ensure the switch is in the off-position before connecting to power source and/or battery pack, picking up or carrying the tool.** *Carrying power tools with your finger on the switch or energizing power tools that have the switch on invites accidents.*
- d. **Remove any adjusting key or wrench before turning the power tool on.** *A wrench or a key left attached to a rotating part of the power tool may result in personal injury.*
- e. **Do not overreach. Keep proper footing and balance at all times.** *This enables better control of the power tool in unexpected situations.*
- f. **Dress properly. Do not wear loose clothing or jewelry. Keep your hair, clothing and gloves away from moving parts. Loose clothes, jewelry or long hair can be caught in moving parts.**

g. **If devices are provided for the connection of dust extraction and collection facilities, ensure these are connected and properly used.** *Use of these devices can reduce dust-related hazards.*

h. **Only use safety equipment that has been approved by an appropriate standards agency. Unapproved safety equipment may not provide adequate protection. Eye protection must be ANSI-approved and breathing protection must be NIOSH-approved for the specific hazards in the work area.**

### 4. Power tool use and care

- a. **Do not force the power tool. Use the correct power tool for your application.** *The correct power tool will do the job better and safer at the rate for which it was designed.*
- b. **Do not use the power tool if the switch does not turn it on and off.** *Any power tool that cannot be controlled with the switch is dangerous and must be repaired.*
- c. **Disconnect the battery pack from the power tool before making any adjustments, changing accessories, or storing power tools.** *Such preventive safety measures reduce the risk of starting the power tool accidentally.*
- d. **Store idle power tools out of the reach of children and do not allow persons unfamiliar with the power tool or these instructions to operate the power tool. Power tools are dangerous in the hands of untrained users.**
- e. **Maintain power tools. Check for misalignment or binding of mov-**

ing parts, breakage of parts and any other condition that may affect the power tool's operation. If damaged, have the power tool repaired before use. *Many accidents are caused by poorly maintained power tools.*

- f. **Keep cutting tools sharp and clean.** *Properly maintained cutting tools with sharp cutting edges are less likely to bind and are easier to control.*
- g. **Use the power tool, accessories and blades etc. in accordance with these instructions, taking into account the working conditions and the work to be performed.** *Use of the power tool for operations different from those intended could result in a hazardous situation.*

#### 5. **Battery tool use and care**

- a. **Recharge only with the charger specified by the manufacturer.** *A charger that is suitable for one type of battery pack may create a risk of fire when used with another battery pack.*
- b. **Use power tools only with specifically designated battery packs.** *Use of any other battery packs may create a risk of injury and fire.*
- c. **When battery pack is not in use, keep it away from other metal objects, like paper clips, coins, keys, nails, screws or other small metal objects, that can make a connection from one terminal to another.** *Shorting the battery terminals together may cause burns or a fire.*
- d. **Under abusive conditions, liquid may be ejected from the battery;**

avoid contact. If contact accidentally occurs, flush with water. If liquid contacts eyes, additionally seek medical help. *Liquid ejected from the battery may cause irritation or burns.*

#### 6. **Service**

- a. **Have your power tool serviced by a qualified repair person using only identical replacement parts.** *This will ensure that the safety of the power tool is maintained.*

### **Circular Saw Safety Warnings**

- 1. **⚠DANGER: Keep hands away from cutting area and the blade. Keep your second hand on auxiliary handle, or motor housing.** *If both hands are holding the saw, they cannot be cut by the blade.*
- 2. **Do not reach underneath the workpiece.** *The guard cannot protect you from the blade below the workpiece.*
- 3. **Adjust the cutting depth to the thickness of the workpiece.** *Less than a full tooth of the blade teeth should be visible below the workpiece.*
- 4. **Never hold piece being cut in your hands or across your leg. Secure the workpiece to a stable platform.** *It is important to support the work properly to minimize body exposure, blade binding, or loss of control.*
- 5. **Hold power tool by insulated gripping surfaces when performing an operation where the cutting tool may contact hidden wiring.** *Contact with a "live" wire will also make exposed metal parts of the power tool "live" and shock the operator.*

6. **When ripping always use a rip fence or straight edge guide.** *This improves the accuracy of cut and reduces the chance of blade binding.*
7. **Always use blades with correct size and shape (diamond versus round) of arbor holes.** *Blades that do not match the mounting hardware of the saw will run eccentrically, causing loss of control.*
8. **Never use damaged or incorrect blade washers or bolt.** *The blade washers and bolt were specially designed for your saw, for optimum performance and safety of operation.*
9. **Causes and Operator Prevention of Kickback:**
  - Kickback is a sudden reaction to a pinched, bound or misaligned saw blade, causing an uncontrolled saw to lift up and out of the workpiece toward the operator;
  - When the blade is pinched or bound tightly by the kerf closing down, the blade stalls and the motor reaction drives the unit rapidly back toward the operator;
  - If the blade becomes twisted or misaligned in the cut, the teeth at the back edge of the blade can dig into the top surface of the wood causing the blade to climb out of the kerf and jump back toward the operator.


Kickback is the result of saw misuse and/or incorrect operating procedures or conditions and can be avoided by taking proper precautions as given below:

- a. **Maintain a firm grip with both hands on the saw and position your arms to resist kickback**

**forces. Position your body to either side of the blade, but not in line with the blade.** *Kickback could cause the saw to jump backwards, but kickback forces can be controlled by the operator, if proper precautions are taken.*

- b. **When blade is binding, or when interrupting a cut for any reason, release the trigger and hold the saw motionless in the material until the blade comes to a complete stop. Never attempt to remove the saw from the work or pull the saw backward while the blade is in motion or kickback may occur.** *Investigate and take corrective actions to eliminate the cause of blade binding.*
- c. **When restarting a saw in the workpiece, center the saw blade in the kerf and check that saw teeth are not engaged into the material.** *If saw blade is binding, it may walk up or kickback from the workpiece as the saw is restarted.*
- d. **Support large panels to minimize the risk of blade pinching and kickback.** *Large panels tend to sag under their own weight. Supports must be placed under the panel on both sides, near the line of cut and near the edge of the panel.*
- e. **Do not use dull or damaged blades.** *Unsharpened or improperly set blades produce narrow kerf causing excessive friction, blade binding and kickback.*
- f. **Blade depth and bevel adjusting locking levers must be tight and secure before making cut.** *If blade adjustment shifts while cutting, it may cause binding and kickback.*

- g. **Use extra caution when making a "plunge cut" into existing walls or other blind areas.** *The protruding blade may cut objects that can cause kickback.*
10. **Check lower guard for proper closing before each use. Do not operate the saw if lower guard does not move freely and close instantly. Never clamp or tie the lower guard into the open position.** *If saw is accidentally dropped, lower guard may be bent. Raise the lower guard with the retracting handle and make sure it moves freely and does not touch the blade or any other part, in all angles and depths of cut.*
11. **Check the operation of the lower guard spring. If the guard and the spring are not operating properly, they must be serviced before use.** *Lower guard may operate sluggishly due to damaged parts, gummy deposits, or a build-up of debris.*
12. **Lower guard should be retracted manually only for special cuts such as "plunge cuts" and "compound cuts."** **Raise lower guard by retracting handle and as soon as blade enters the material, the lower guard must be released.** *For all other sawing, the lower guard should operate automatically.*
13. **Always observe that the lower guard is covering the blade before placing saw down on bench or floor.** *An unprotected, coasting blade will cause the saw to walk backwards, cutting whatever is in its path. Be aware of the time it takes for the blade to stop after switch is released.*
14. **DO NOT USE THIS SAW WITH THE SAW HELD UPSIDE DOWN IN A VISE.** **The saw is not designed for such use and cannot be used safely in that position.**
15. **The torque developed during braking may loosen the blade-retaining nut/bolt.** **The blade retaining nut/bolt should be checked periodically and tightened if necessary, especially after braking.**
16. **Do not use to cut logs, tree limbs, or uneven lumber.**
17. **Wet lumber, green (unseasoned) lumber, and pressure treated lumber all have an increased potential for kickback and should only be cut with a blade for cutting that lumber type.** **Wear a NIOSH-approved respirator and have appropriate ventilation whenever cutting pressure treated lumber.**
18. **Do not use blades made from high-speed steel, abrasive blades, or metal- or masonry-cutting blades.** **The guards of this saw are not designed to protect against the failure of such blades.**
19. **Place the larger portion of the saw base on the larger, supported part of the workpiece.** **This will help maintain balance and control while the cut is completed.**
20. **Maintain labels and nameplates on the tool.** **These carry important safety information. If unreadable or missing, contact Harbor Freight Tools for a replacement.**
21. **Avoid unintentional starting. Prepare to begin work before turning on the tool.**

22. Do not lay the tool down until it has come to a complete stop. Moving parts can grab the surface and pull the tool out of your control.
23. When using a handheld power tool, maintain a firm grip on the tool with both hands to resist starting torque.
24. Do not leave the tool unattended when the Battery Pack is connected. Turn off the tool, and remove Battery Pack before leaving.
25. Use clamps (not included) or other practical ways to secure and support the workpiece to a stable platform. Holding the work by hand or against your body is unstable and may lead to loss of control.
26.  The battery charger gets hot during use. The charger's heat can build up to unsafe levels and create a fire hazard if it does not receive adequate ventilation, due to an electrical fault, or if it is used in a hot environment. Do not place the charger on a flammable surface. Do not obstruct any vents on the charger. **Especially avoid placing the charger on carpets and rugs; they are not only flammable, but they also obstruct vents under the charger.** Place the charger on a stable, solid, nonflammable surface (such as a stable metal workbench or concrete floor) at least 1 foot away from all flammable objects, such as drapes or walls. Keep a fire extinguisher and a smoke detector in the area. Frequently monitor the charger and battery while charging.
27. This product is not a toy. Keep it out of reach of children.
28. Verify that there are no utility lines or hardware in or near the workpiece. This is especially critical for plunge cuts.
29. People with pacemakers should consult their physician(s) before use. Electromagnetic fields in close proximity to heart pacemaker could cause pacemaker interference or pacemaker failure. In addition, people with pacemakers should:
  - Avoid operating alone.
  - Do not use with power switch locked on.
  - Properly maintain and inspect to avoid electrical shock.
30. **WARNING:** Some dust created by power sanding, sawing, grinding, drilling, and other construction activities, contains chemicals known [to the State of California] to cause cancer, birth defects or other reproductive harm. Some examples of these chemicals are:
  - Lead from lead-based paints
  - Crystalline silica from bricks and cement or other masonry products
  - Arsenic and chromium from chemically treated lumber
Your risk from these exposures varies, depending on how often you do this type of work. To reduce your exposure to these chemicals: work in a well ventilated area, and work with approved safety equipment, such as those dust masks that are specially designed to filter out microscopic particles. (California Health & Safety Code § 25249.5, *et seq.*)

31. The warnings, precautions, and instructions discussed in this instruction manual cannot cover all possible conditions and situations that may occur. It must be understood by the operator that common sense and caution are factors which cannot be built into this product, but must be supplied by the operator.

### Vibration Safety

This tool vibrates during use. Repeated or long-term exposure to vibration may cause temporary or permanent physical injury, particularly to the hands, arms and shoulders. To reduce the risk of vibration-related injury:

1. Anyone using vibrating tools regularly or for an extended period should first be examined by a doctor and then have regular medical check-ups to ensure medical problems are not being caused or worsened from use. Pregnant women or people who have impaired blood circulation to the hand, past hand injuries, nervous system disorders, diabetes, or Raynaud's Disease should not use this tool. If you feel any medical or physical symptoms related to vibration (such as tingling, numbness, and white or blue fingers), seek medical advice as soon as possible.
2. Do not smoke during use. Nicotine reduces the blood supply to the hands and fingers, increasing the risk of vibration-related injury.
3. Wear suitable gloves to reduce the vibration effects on the user.
4. Use tools with the lowest vibration when there is a choice.

5. Include vibration-free periods each day of work.
6. Grip tool as lightly as possible (while still keeping safe control of it). Let the tool do the work.
7. To reduce vibration, maintain the tool as explained in this manual. If any abnormal vibration occurs, stop use immediately.



**SAVE THESE INSTRUCTIONS.**

### Extension Cords

**Note:** Extension cords must not be used with this item's charger.

### Symbology

	Double Insulated
	Canadian Standards Association
	Underwriters Laboratories, Inc.
	Volts Alternating Current
	Amperes
$n_0$ xxxx/min.	No Load Revolutions per Minute (RPM)



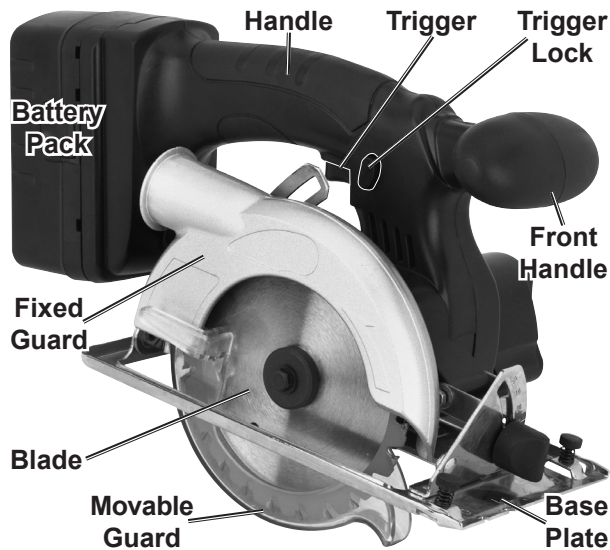
## SPECIFICATIONS

Battery	18 V, NiCd SKU 67029, Sold Separately
Charger	SKU 67031, Sold Separately
Motor Speed	3800 RPM (No Load)
Blade Diameter	5 1/2" Maximum
Arbor Size/Type	10 mm, round

## UNPACKING

When unpacking, make sure that the item is intact and undamaged. If any parts are missing or broken, please call Harbor Freight Tools at 1-800-444-3353 as soon as possible.

## FUNCTIONS



## OPERATING INSTRUCTIONS



Read the **ENTIRE IMPORTANT SAFETY INFORMATION** section at the beginning of this manual including all text under subheadings therein before set up or use of this product.

**Note:** For additional information regarding the parts listed in the following pages, refer to the Assembly Diagram near the end of this manual.

### Tool Set Up



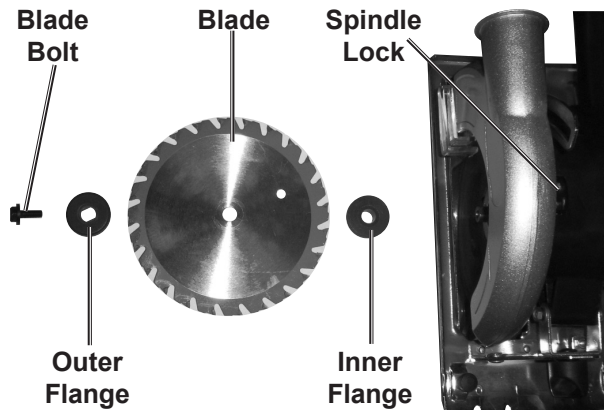
**TO PREVENT SERIOUS INJURY**

**FROM ACCIDENTAL OPERATION:**

Turn the Power Switch of the tool off and remove Battery Pack before Tool Set Up.

## 1. BLADE MOUNTING/REMOVAL:

**⚠ WARNING** TO PREVENT SERIOUS INJURY FROM FLYING FRAGMENTS: Do not use blades made from high-speed steel, abrasive blades, or metal- or masonry-cutting blades. The guards of this saw are not designed to protect against the failure of such blades.



- Hold in the Spindle Lock while removing the Blade Bolt, turning it counterclockwise.
- Remove the outer flange.
- Hold open the Moveable Guard and remove the Blade. Leave the inner flange in place. (If the Inner Flange comes off, place it on the spindle with its extended side first.)
- Install the new blade, with the directional arrow on the blade pointing the same as the directional arrow on the stationary guard.
- Place the Outer Flange on the spindle, recessed side first.
- Hold in the Spindle Lock while re-installing the Blade Bolt, turning it clockwise.

## 2. BEVEL ADJUSTMENT AND 0° BEVEL STOP:

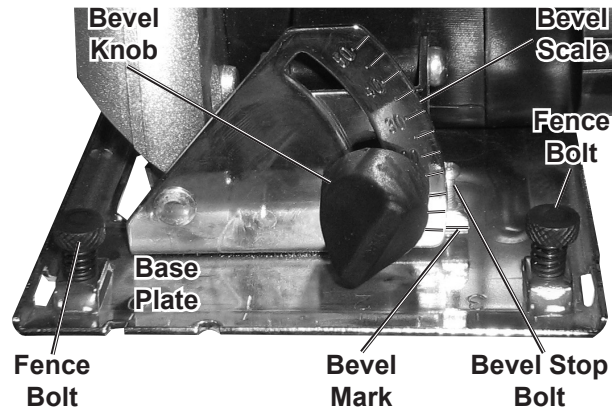


FIGURE 2

### a. To read the approximate blade bevel:

Compare the Bevel Mark with the Bevel Scale.

### b. To set the 0° bevel stop:

Loosen the Bevel Knob and push the right side of the Base Plate up as far as possible. The Bevel Mark should line up with the 0 line on the bevel scale.

If it is **higher** than the mark, turn the Bevel Stop Bolt counterclockwise.

If it is **lower** than the mark, loosen the Nut on the Bevel Stop Bolt and turn the Bolt clockwise.

After it is aligned, tighten the Nut on the Bevel Stop Bolt.

### c. To adjust the bevel:

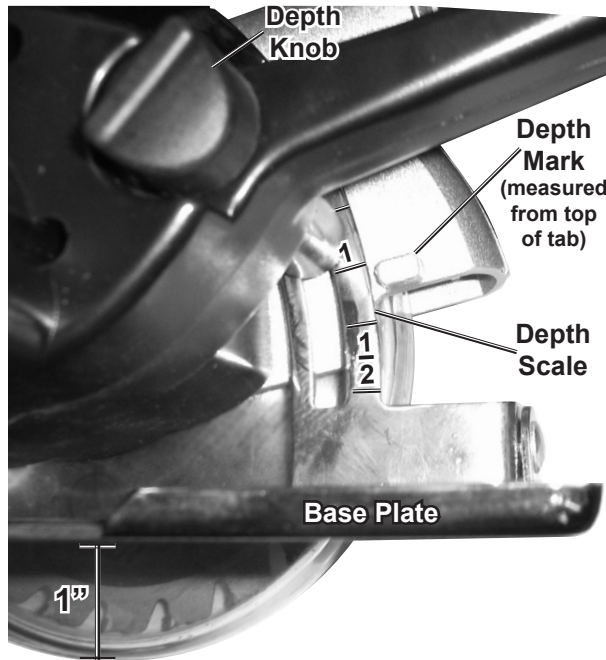
Loosen the Bevel Knob and move the Base Plate to the desired bevel. **Tighten the Bevel Knob before use.**

## 3. RIP FENCE INSTALLATION / ADJUSTMENT:

- Loosen both Fence Bolts (shown in Figure 2) and insert the Rip Fence (not shown in Figure 2, see Assembly Diagram) into the two brackets on the Base Plate from the left.

- b. Loosen Fence Bolts and slide the Rip Fence to adjust. **Tighten both Fence Bolts before use.**
- c. Remove Rip Fence when not in use.

#### 4. DEPTH ADJUSTMENT:



- a. **To read the approximate blade depth (at 0° bevel):**  
Compare the Depth Mark (measured from the top of the tab) to the Depth Scale - the illustration above shows about 1".
- b. **To adjust the depth:**  
Loosen the Depth Knob and move the Base Plate to the desired depth. **Tighten the Depth Knob before use.**

### Work Piece and Work Area Set Up

1. Work piece selection:
  - a. Work piece must be free of foreign objects and loose knots.
  - b. Do not use to cut logs, tree limbs, or uneven lumber.

- c. Wet lumber, green (unseasoned) lumber, and pressure treated lumber all have an increased potential for kickback and should only be cut with a blade designed for cutting that lumber. Wear a NIOSH-approved respirator and have appropriate ventilation whenever cutting pressure treated lumber.

2. Designate a work area that is clean and well-lit. The work area must not allow access by children or pets to prevent distraction and injury.
3. Secure loose workpieces using a vise or clamps (not included) to prevent movement while working.
4. Verify that there are no utility lines or hardware in or near the workpiece. This is especially critical for plunge cuts.

### Charging Instructions

1. The Charger (SKU 67031) and Battery Pack (SKU 67029) are sold separately. Please refer to the 67031 Charger manual for important safety warnings and proper instructions on charging the battery pack.
2. **WARNING! Do NOT use a different Charger or Battery Pack to power this tool.**

## **General Operating Instructions**

1. **WARNING! TO PREVENT SERIOUS INJURY, BEFORE OPERATION:**
  - a. **Remove Battery Pack.**
  - b. **Adjust Blade Depth to extend beyond bottom of workpiece by 1/4" or less. Lock Depth Knob after adjustment.**
  - c. **Make sure that all guards are in place and in proper working order.**
  - d. **Tighten all knobs/bolts securely.**
  - e. **Tighten Blade Bolt. (Blade Bolt may loosen when the automatic blade brake engages.)**
2. Install fully charged Battery Pack (67029, sold separately) into base at back of handle.
3. Hold the saw with one hand on the Front Handle and the other hand on the Handle.
4. Align Saw on cut line with the larger part of the workpiece to the left of the Saw Blade.
5. Push the Trigger Lock to one side and squeeze the Trigger.
6. Allow the Blade to come up to full speed before contacting the workpiece.
7. After completing the cut, release the trigger. Make sure that the Movable Guard closes immediately.
8. To prevent accidents, turn off the tool and disconnect the Battery Pack after use. Clean, then store the tool indoors out of children's reach.

## MAINTENANCE AND SERVICING



Procedures not specifically explained in this manual must be performed only by a qualified technician.

### **⚠️ WARNING**

#### **TO PREVENT SERIOUS INJURY**

#### **FROM ACCIDENTAL OPERATION:**

Turn the Power Switch of the tool off and remove Battery Pack before performing any inspection, maintenance, or cleaning procedures.

#### **TO PREVENT SERIOUS INJURY FROM TOOL FAILURE:**

Do not use damaged equipment. If abnormal noise or vibration occurs, have the problem corrected before further use.

### Cleaning and Maintenance

1. **BEFORE EACH USE**, inspect the general condition of the tool. Check for loose screws, misalignment or binding of moving parts, cracked or broken parts, damaged electrical wiring, and any other condition that may affect its safe operation.
2. **AFTER USE**, wipe external surfaces of the tool with clean cloth.

### Troubleshooting

Problem	Possible Causes	Likely Solutions
Tool will not start.	<ol style="list-style-type: none"> <li>1. Battery Pack not properly connected or charged.</li> <li>2. Tool's thermal reset breaker tripped (if equipped).</li> <li>3. Internal damage or wear. (Carbon brushes or switch, for example.)</li> </ol>	<ol style="list-style-type: none"> <li>1. Connect fully-charged Battery Pack completely.</li> <li>2. Turn off tool and allow to cool. Press reset button on tool.</li> <li>3. Have technician service tool.</li> </ol>
Performance decreases over time.	<ol style="list-style-type: none"> <li>1. Blade dull or damaged.</li> <li>2. Carbon brushes worn or damaged.</li> </ol>	<ol style="list-style-type: none"> <li>1. Keep blade sharp. Replace as needed.</li> <li>2. Have qualified technician replace brushes.</li> </ol>
Excessive noise or rattling.	Internal damage or wear. (Carbon brushes or bearings, for example.)	Have technician service tool.
Overheating.	<ol style="list-style-type: none"> <li>1. Forcing tool to work too fast.</li> <li>2. Blade misaligned.</li> <li>3. Blade dull or damaged.</li> <li>4. Blocked motor housing vents.</li> </ol>	<ol style="list-style-type: none"> <li>1. Allow tool to work at its own rate.</li> <li>2. Technician must check and correct blade to fence alignment.</li> <li>3. Keep blade sharp. Replace as needed.</li> <li>4. Wear ANSI-approved safety goggles and NIOSH-approved dust mask/respirator while blowing dust out of motor using compressed air.</li> </ol>



**Follow all safety precautions whenever diagnosing or servicing the tool. Disconnect power supply before service.**

## **PLEASE READ THE FOLLOWING CAREFULLY**

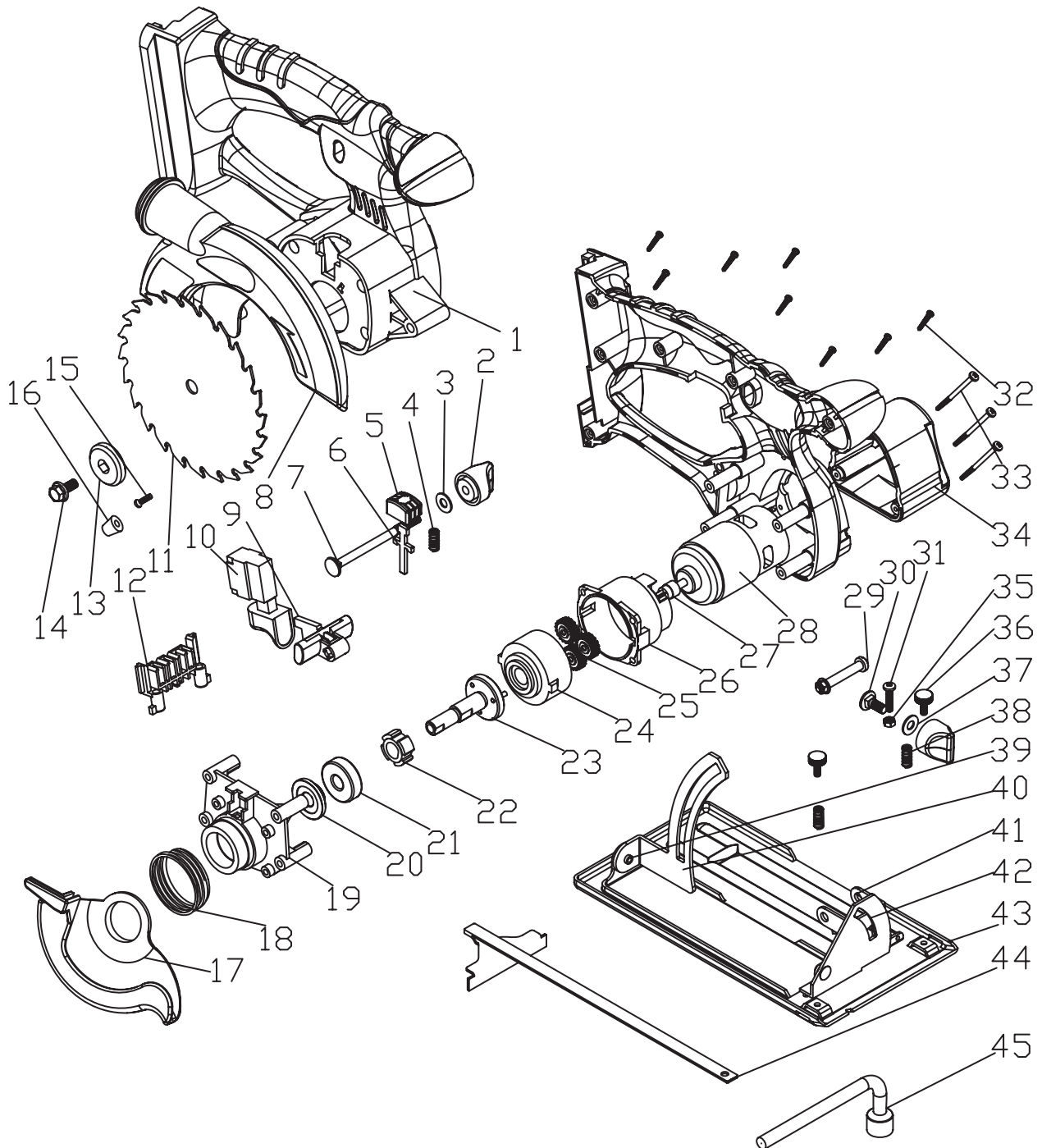
THE MANUFACTURER AND/OR DISTRIBUTOR HAS PROVIDED THE PARTS LIST AND ASSEMBLY DIAGRAM IN THIS MANUAL AS A REFERENCE TOOL ONLY. NEITHER THE MANUFACTURER OR DISTRIBUTOR MAKES ANY REPRESENTATION OR WARRANTY OF ANY KIND TO THE BUYER THAT HE OR SHE IS QUALIFIED TO MAKE ANY REPAIRS TO THE PRODUCT, OR THAT HE OR SHE IS QUALIFIED TO REPLACE ANY PARTS OF THE PRODUCT. IN FACT, THE MANUFACTURER AND/OR DISTRIBUTOR EXPRESSLY STATES THAT ALL REPAIRS AND PARTS REPLACEMENTS SHOULD BE UNDERTAKEN BY CERTIFIED AND LICENSED TECHNICIANS, AND NOT BY THE BUYER. THE BUYER ASSUMES ALL RISK AND LIABILITY ARISING OUT OF HIS OR HER REPAIRS TO THE ORIGINAL PRODUCT OR REPLACEMENT PARTS THERETO, OR ARISING OUT OF HIS OR HER INSTALLATION OF REPLACEMENT PARTS THERETO.

## **PARTS LIST**

<b>Part</b>	<b>Description</b>	<b>Qty.</b>
1	Housing	1
2	Knob	2
3	Plain washer Ø 4	1
4	Spindle lock level spring	1
5	Spindle lock	1
6	Spindle lock lever	1
7	Square Screw	1
8	Fixed guard	1
9	Trigger Lock	1
10	Switch/Trigger	1
11	Saw blade	1
12	Contact plate	1
13	Outer flange	1
14	Blade Bolt	1
15	Screw	1
16	Moveable guard stopper	1
17	Moveable guard	1
18	Tension spring	1
19	Big end cover	1
20	Inner flange	1
21	Bearing	1
22	Lock block	1
23	Planet carrier	3

<b>Part</b>	<b>Description</b>	<b>Qty.</b>
24	Ring gear	1
25	Planet gear	1
26	Gear box	1
27	Motor gear	1
28	750 motor	1
29	Bolt, M6 X 34	1
30	Square screw M6X15	1
31	Bevel Stop Bolt M4X20	2
32	Tapping screw	10
33	Tapping screw	4
34	Motor cover	1
35	Bevel Stop Lock Nut	1
36	Fence Bolt	2
37	Flat washer	1
38	Fence spring	2
39	Rivet Ø6x8	2
40	Depth adjustment bracket	1
41	Bevel adjustment bracket	1
42	Bevel scale	1
43	Base plate	1
44	Rip Fence	1
45	Blade Bolt Wrench	1

# ASSEMBLY DIAGRAM



**Record Product's Serial Number Here:** \_\_\_\_\_

**Note:** If product has no serial number, record month and year of purchase instead.

**Note:** Some parts are listed and shown for illustration purposes only, and are not available individually as replacement parts.

---

## LIMITED 90 DAY WARRANTY

---

Harbor Freight Tools Co. makes every effort to assure that its products meet high quality and durability standards, and warrants to the original purchaser that this product is free from defects in materials and workmanship for the period of 90 days from the date of purchase. This warranty does not apply to damage due directly or indirectly, to misuse, abuse, negligence or accidents, repairs or alterations outside our facilities, criminal activity, improper installation, normal wear and tear, or to lack of maintenance. We shall in no event be liable for death, injuries to persons or property, or for incidental, contingent, special or consequential damages arising from the use of our product. Some states do not allow the exclusion or limitation of incidental or consequential damages, so the above limitation of exclusion may not apply to you. THIS WARRANTY IS EXPRESSLY IN LIEU OF ALL OTHER WARRANTIES, EXPRESS OR IMPLIED, INCLUDING THE WARRANTIES OF MERCHANTABILITY AND FITNESS.

To take advantage of this warranty, the product or part must be returned to us with transportation charges prepaid. Proof of purchase date and an explanation of the complaint must accompany the merchandise. If our inspection verifies the defect, we will either repair or replace the product at our election or we may elect to refund the purchase price if we cannot readily and quickly provide you with a replacement. We will return repaired products at our expense, but if we determine there is no defect, or that the defect resulted from causes not within the scope of our warranty, then you must bear the cost of returning the product.

This warranty gives you specific legal rights and you may also have other rights which vary from state to state.

**3491 Mission Oaks Blvd. • PO Box 6009 • Camarillo, CA 93011 • (800) 444-3353**



## Free Manuals Download Website

<http://myh66.com>

<http://usermanuals.us>

<http://www.somanuals.com>

<http://www.4manuals.cc>

<http://www.manual-lib.com>

<http://www.404manual.com>

<http://www.luxmanual.com>

<http://aubethermostatmanual.com>

Golf course search by state

<http://golfingnear.com>

Email search by domain

<http://emailbydomain.com>

Auto manuals search

<http://auto.somanuals.com>

TV manuals search

<http://tv.somanuals.com>