



# OUTDOOR IMITATION CAMERA

**Model 95153**

## SET UP INSTRUCTIONS



Visit our website at: <http://www.harborfreight.com>



**Read this material before using this product.  
Failure to do so can result in serious injury.**

**SAVE THIS MANUAL.**

Copyright© 2006 by Harbor Freight Tools®. All rights reserved. No portion of this manual or any artwork contained herein may be reproduced in any shape or form without the express written consent of Harbor Freight Tools. Diagrams within this manual may not be drawn proportionally. Due to continuing improvements, actual product may differ slightly from the product described herein. Tools required for assembly and service may not be included.

**For technical questions or replacement parts, please call 1-800-444-3353.**  
Revised Manual 07b, 08a, 09k

---

## SPECIFICATIONS

---

Batteries Required	2 "AA" Batteries (sold separately)
Overall Dimensions	4-1/8" X 11-3/4" L X 4-5/16" H
Dimensions	Bracket - 7" High Base - 3-1/2" Diameter
Weight	2 lb.
Features	0-90° Up or Down Tilt, Continuous Blinking LED

### Save This Manual

You will need the manual for the safety warnings and precautions, assembly instructions, operating and maintenance procedures, parts list and diagram. Keep your invoice with this manual. Write the invoice number on the inside of the front cover. Keep the manual and invoice in a safe and dry place for future reference.

---

## SAFETY WARNINGS AND PRECAUTIONS

---

**WARNING: When using this product, basic safety precautions should always be followed to reduce the risk of personal injury and damage to equipment.**

**Read all instructions before using this product!**

1. **Keep work area clean and well lit.** Cluttered areas invite injuries.
2. **Observe work area conditions.** Do not use the Imitation Camera in damp or wet locations. Don't expose to rain. Do not use electrically powered products in the presence of flammable gases or liquids.
3. **Keep children away.** Children must never be allowed in the work area. Mount the Imitation camera out of children's reach. This product is not a toy.
4. **Use the right product for the job.** Do not modify this product and do not use this product for a purpose for which it was not intended.
5. **Dress properly.** Protective, electrically nonconductive clothes and nonskid footwear are recommended when working. Wear restrictive hair covering to contain long hair.
6. **Always wear ANSI-approved impact safety goggles and heavy-duty work gloves during installation or service.**
7. **Stay alert.** Watch what you are doing, use common sense. Do not install the Imitation Camera when you are tired.
8. **Check for damaged parts.** Before installing the Imitation Camera, any part that appears damaged should be carefully checked to determine that it will operate properly and perform its intended function. Check for any broken parts or mounting fixtures and any other condition that may affect proper function. Any part that is damaged should be properly repaired or replaced by a qualified technician.

9. **Replacement parts and accessories.** When servicing, use only identical replacement parts. Use of any other parts will void the warranty. Only use accessories intended for use with this product. Approved accessories are available from Harbor Freight Tools.
10. **Do not install the Imitation Camera if under the influence of alcohol or drugs.** Read warning labels if taking prescription medicine to determine if your judgment or reflexes are impaired while taking drugs. If there is any doubt, do not install the unit.
11. **For your safety, service and maintenance should be performed regularly by a qualified technician.**
12. **The warnings, precautions, and instructions discussed in this instruction manual cannot cover all possible conditions and situations that may occur. It must be understood by the operator that common sense and caution are factors which cannot be built into this product, but must be supplied by the operator.**

### **SAVE THESE INSTRUCTIONS.**

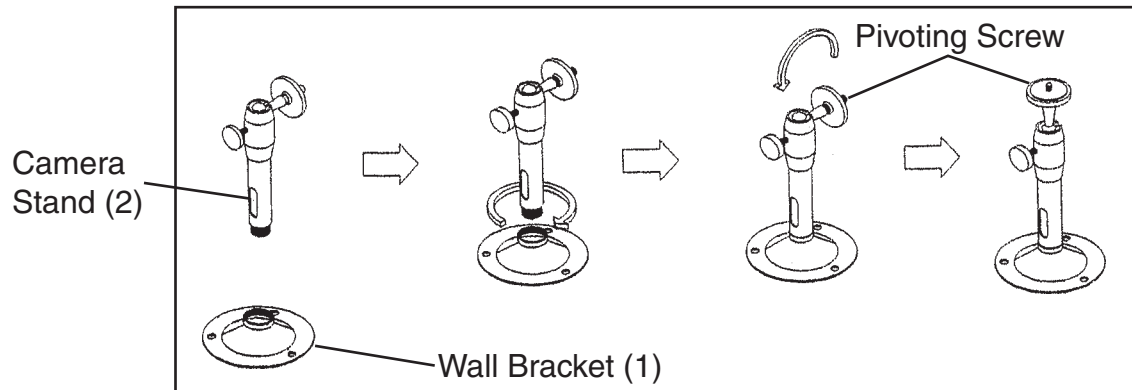
---

## **UNPACKING**

---

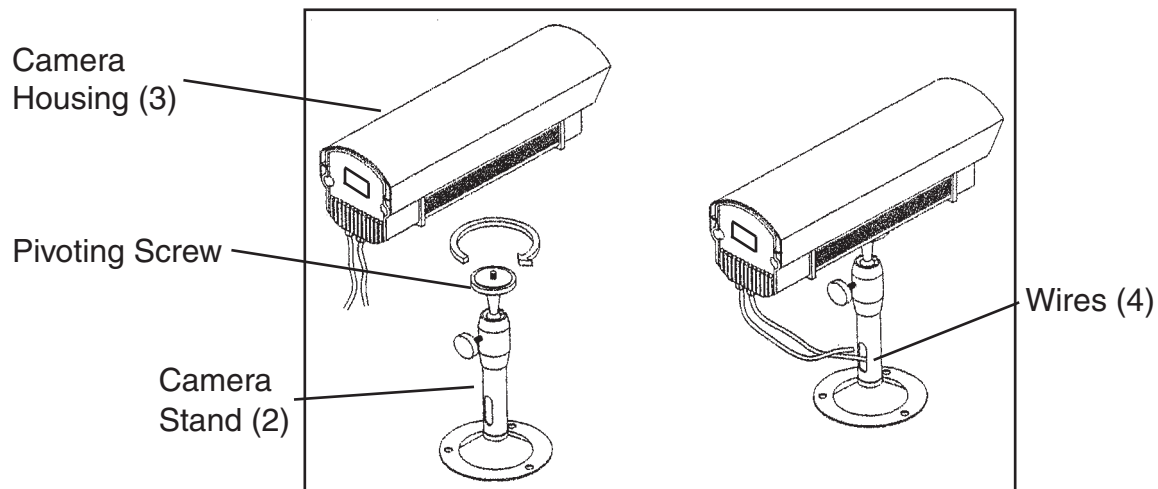
When unpacking, check to make sure that the product is intact and undamaged. If any parts are missing or broken, please call Harbor Freight Tools at the number on the cover of this manual as soon as possible.

## ASSEMBLY



**FIGURE 1**

1. Twist the Camera Stand (2) into the Wall Bracket (1). Tilt-up the Pivoting Screw. **See Figure 1.**



**FIGURE 2**

2. Screw the Pivoting Screw into the housing of the Camera. Be sure it is secure. **See Figure 2.**
3. To make the Camera look more authentic, tuck the Wires (4) into the holes in the Camera Stand (2). **See Figure 2.**

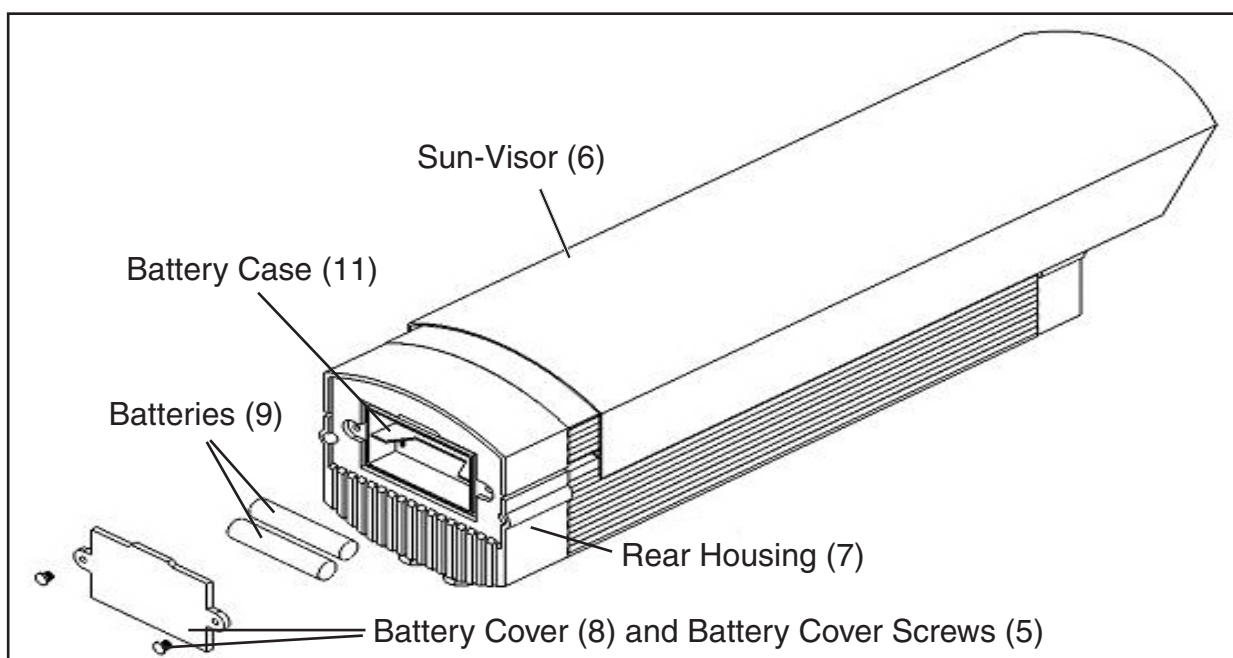
Note: Turn pivot screw 90° if wall bracket is mounted on a vertical surface.

---

## BATTERY INSTALLATION

---

**Warning:** Only install batteries of the same type and charge level. Replace both batteries at once. Install batteries according to polarity markings.



**FIGURE 3**

1. Remove the two Battery Cover Screws (5) from the Battery Cover (8) with a screwdriver (sold separately). **See Figure 3.**
2. Slide the Battery Cover (8) off the Battery Case (11).
3. The Battery Case (11) is inside the Rear Housing (7).

**CAUTION: The housing and other machined parts of this item may have sharp burrs that can cut you. Use care when changing the batteries.**

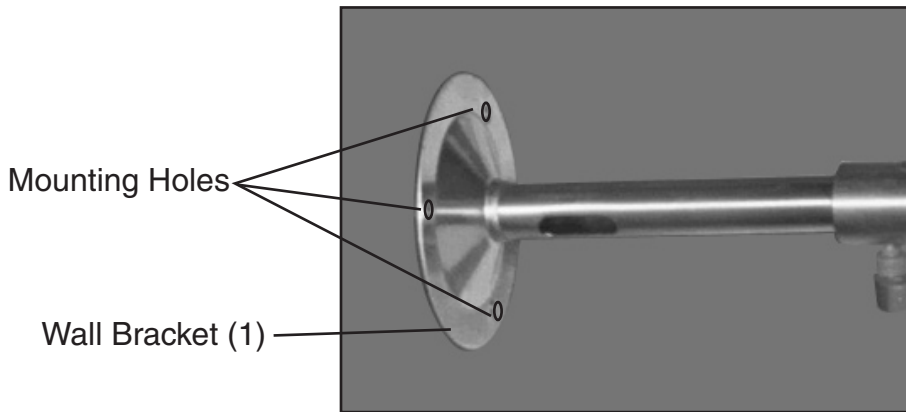
Carefully remove the Batteries (9) from the Battery Case (11).

4. If present, remove old batteries and dispose of or recycle them properly.
5. Carefully place two new “AA” Batteries (9) into the Battery Case (11). Be sure that the polarities (+ or -) of the batteries line up with the polarity signs.
6. Carefully replace the Battery Cover (8). Insert the Battery Cover Screws (5) and tighten them with the screwdriver.
7. Check LED light. If it does not light, repeat the steps or replace the batteries with new ones.

## INSTALLATION

1. Chose a wall or ceiling location that allows you to mount the unit onto a solid surface capable of sustaining the weight of the unit. If you cannot mount to wall studs, you will need to use the Dry Wall Mounting Anchors and Wood Screws (10). Be aware, the Camera needs to be mounted securely so it will not fall off the mounting and cause personal injury or property damage.

**Note:** The mounting holes on the Outdoor Camera are approximately 1/4" or 6 mm.



**FIGURE 4**

2. Hold the Wall Bracket (1) of the assembly against the surface you wish to mount. Using a pencil (not included), draw dots of the mounting holes. **See Figure 4.**
3. **Warning:** Check that there are no hidden wires, cables or other obstructions in the mounting location. Predrill the holes.
4. Install the drywall anchors into the holes if mounting into drywall.
5. Line up the holes in the mounting bracket with the holes in the wall and hold the unit in place. Mount using the Wood Screws (10).

---

## MAINTENANCE

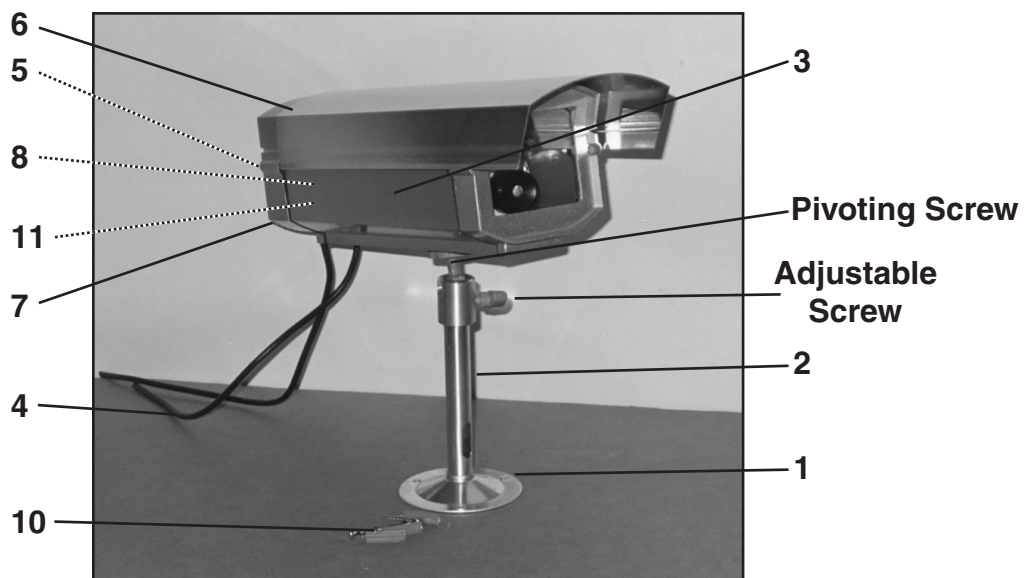
---

Keep the Imitation camera clean and free of spider webs.

## PARTS LIST

PART #	DESCRIPTION	QTY.
1	Wall Bracket	1
2	Camera Stand	1
3	Camera Housing	1
4	Coaxial Wire	1
5	Battery Cover Screw (not shown)	2
6	Sun-Visor	1
7	Rear Housing	1
8	Battery Cover (not shown)	1
9	"AA" Battery (not included)	2
10	Drywall Anchor and Wood Screw	3 ea.
11	Battery Case (not shown)	1

## PARTS DESCRIPTION



**Note:** Some parts are listed and shown for illustration purposes only, and are not available individually as replacement parts.

### **PLEASE READ THE FOLLOWING CAREFULLY**

THE MANUFACTURER AND/OR DISTRIBUTOR HAS PROVIDED THE PARTS DIAGRAM IN THIS MANUAL AS A REFERENCE TOOL ONLY. NEITHER THE MANUFACTURER NOR DISTRIBUTOR MAKES ANY REPRESENTATION OR WARRANTY OF ANY KIND TO THE BUYER THAT HE OR SHE IS QUALIFIED TO MAKE ANY REPAIRS TO THE PRODUCT OR THAT HE OR SHE IS QUALIFIED TO REPLACE ANY PARTS OF THE PRODUCT. IN FACT, THE MANUFACTURER AND/OR DISTRIBUTOR EXPRESSLY STATES THAT ALL REPAIRS AND PARTS REPLACEMENTS SHOULD BE UNDERTAKEN BY CERTIFIED AND LICENSED TECHNICIANS AND NOT BY THE BUYER. THE BUYER ASSUMES ALL RISK AND LIABILITY ARISING OUT OF HIS OR HER REPAIRS TO THE ORIGINAL PRODUCT OR REPLACEMENT PARTS THERETO, OR ARISING OUT OF HIS OR HER INSTALLATION OF REPLACEMENT PARTS THERETO.

## Free Manuals Download Website

<http://myh66.com>

<http://usermanuals.us>

<http://www.somanuals.com>

<http://www.4manuals.cc>

<http://www.manual-lib.com>

<http://www.404manual.com>

<http://www.luxmanual.com>

<http://aubethermostatmanual.com>

Golf course search by state

<http://golfingnear.com>

Email search by domain

<http://emailbydomain.com>

Auto manuals search

<http://auto.somanuals.com>

TV manuals search

<http://tv.somanuals.com>