

CENTRAL PNEUMATIC®

AIR DRILL- 1/2 INCH

Model 07528

ASSEMBLY AND OPERATING INSTRUCTIONS



3491 Mission Oaks Blvd., Camarillo, CA 93011
Visit our Web site at <http://www.harborfreight.com>

Copyright © 2004 by Harbor Freight Tools®. All rights reserved. No portion of this manual or any artwork contained herein may be reproduced in any shape or form without the express written consent of Harbor Freight Tools.

For technical questions and replacement parts, please call 1-800-444-3353

REV 07g

Specifications

Item	Description
Chuck	½ inch, Jacobs type
Rated Air Pressure	90 PSI at 4 CFM
Recommended Hose	3/8 inch
Speed	800 RPM
Air Inlet	¼" - 18 NPT
Weight	3.75 lbs.

Save this Manual

You will need the manual for the safety warnings and precautions, assembly instructions, operating and maintenance procedures, parts list and diagram. Keep your invoice with this manual. Write the invoice number on the inside of the front cover. Keep the manual and invoice in a safe and dry place for future reference.

Safety Warnings and Precautions

WARNING: When using tool, basic safety precautions should always be followed to reduce the risk of personal injury and damage to equipment.

Read all instructions before using this tool!

1. **Disconnect air before servicing.** Do not attempt to disassemble or service tool with air hose attached.
2. **Use only specified operating air pressure.** Recommended tool operating air pressure is 90 PSI.
3. **Do not use combustible gases.** Do not use combustible gases as a power source, or use tool in areas where combustible gases are stored.
4. **Avoid possible kickback injury.** Hold the tool with both hands during operation so that your head and body are not injured by possible kickback of the tool.
5. **Use care when transporting tool.** Disconnect tool from air supply when moving tool in the workplace. Carry tool only by the handle without drawing the trigger.
6. **Keep work area clean.** Cluttered areas invite injuries.
7. **Observe work area conditions.** Do not use machines or power tools in damp or wet locations. Don't expose to rain. Keep work area well lighted.
8. **Keep children away.** Children must never be allowed in the work area. Do not let them handle machines, tools, or extension cords.

9. **Store idle equipment.** When not in use, tools must be stored in a dry location to inhibit rust. Always lock up tools and keep out of reach of children.
10. **Do not force tool.** It will do the job better and more safely at the rate for which it was intended. Do not use inappropriate attachments in an attempt to exceed the tool capacity.
11. **Use the right tool for the job.** Do not attempt to force a small tool or attachment to do the work of a larger industrial tool. There are certain applications for which this tool was designed. Do not modify this tool and do not use this tool for a purpose for which it was not intended.
12. **Dress properly.** Do not wear loose clothing or jewelry as they can be caught in moving parts. Protective, electrically nonconductive clothes and nonskid footwear are recommended when working. Wear restrictive hair covering to contain long hair.
13. **Use eye and ear protection.** Always wear ANSI approved impact safety goggles. Wear an ANSI approved dust mask or respirator when working around metal, wood, and chemical dusts and mists. Wear ear plugs.
14. **Do not overreach.** Keep proper footing and balance at all times. Do not reach over or across running machines.
15. **Maintain tools with care.** Keep tools sharp and clean for better and safer performance. Follow instructions for lubricating and changing accessories. Inspect tool periodically and, if damaged, have them repaired by an authorized technician. The handles must be kept clean, dry, and free from oil and grease at all times.
16. **Remove adjusting keys and wrenches.** Check that keys and adjusting wrenches are removed from the tool or machine work surface before plugging it in.
17. **Stay alert.** Watch what you are doing, use common sense. Do not operate any tool when you are tired.
18. **Replacement parts and accessories.** When servicing, use only identical replacement parts. Use of any other parts will void the warranty. Only use accessories intended for use with this tool. Approved accessories are available from Harbor Freight Tools.
19. **Maintenance.** For your safety, service and maintenance should be performed regularly by a qualified technician.
20. **Check for damaged parts.** Before using any tool, any part that appears damaged should be carefully checked to determine that it will operate

properly and perform its intended function. Check for alignment and binding of moving parts; any broken parts or mounting fixtures; and any other condition that may affect proper operation. Any part that is damaged should be properly repaired or replaced by a qualified technician. Do not use the tool if any switch does not turn On and Off properly.

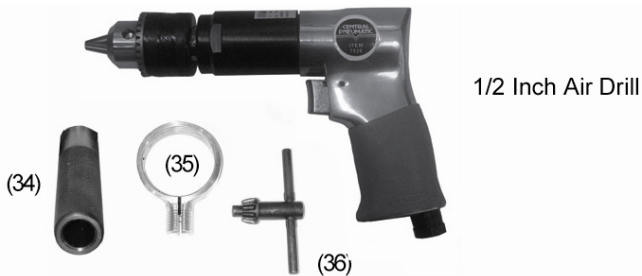
21. **Do not operate tool if under the influence of alcohol or drugs.** Read warning labels on prescriptions to determine if your judgment or reflexes are impaired while taking drugs. If there is any doubt, do not operate the tool.

Warning: The warnings, cautions, and instructions discussed in this instruction manual cannot cover all possible conditions and situations that may occur. It must be understood by the operator that common sense and caution are factors which cannot be built into this product, but must be supplied by the operator.

Warning: The brass components of this product contain lead, a chemical known to the State of California to cause birth defects (or other reproductive harm). (California Health & Safety Code 25249.5 et seq.)

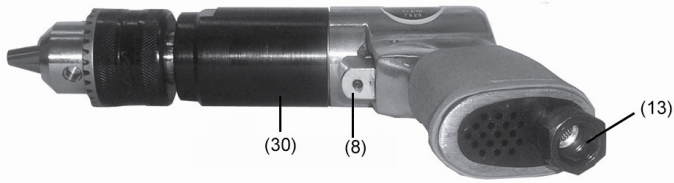
Unpacking

When unpacking, check to make sure that the following parts are included. If any parts are missing or broken, please call Harbor Freight Tools at the number on the cover of this manual as soon as possible.



Air Connection

1. If desired, for easy connection or removal, attach an Air Quick Coupler (not supplied) to the air compressor hose.
2. Attach the Air Quick Coupler (not supplied) to the Air Inlet (13) fitting.
3. Tighten all couplings and fittings. See photos on the next page.



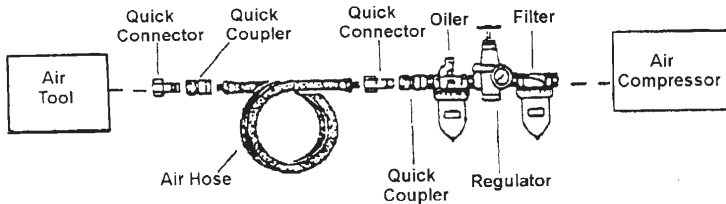
Oiler and Filter Connection

Dirt, water, and the lack of pneumatic tool oil are major causes for tool wear. Install an optional oiler-filter, as illustrated below for better performance.

1. Connect the air tool, air hoses, filter, and oiler to the Compressor Air Outlet as illustrated below.

The filter and oiler (not supplied) are recommended but not mandatory for operation.

If the filter and oiler are not used, connect the air hose directly to the 1/4 inch, 18 NPT connector located at the Air Inlet (13) fitting. Also, a few drops of pneumatic tool oil must be added through the air line before each use.



Note: Use pipe thread seal or Teflon tape on all threaded connections.

Side Handle

1. Slip the Brass Ring (35) over the Clamp Nut (30) and point the treads to either the left or right side for the desired operation. See photo on the cover.
2. Screw the Handle (34) onto the threads of the Brass Ring and tighten.

Operation

1. Attach the desired bit (not supplied) to the Air Drill Chuck (32), making sure it is locked in place with Chuck Key (36).
2. Connect the compressor air hose (3/8") to the Air Inlet (13) on the handle of the housing (1).
3. Set the (1.5 HP minimum) air compressor pressure regulator to 90 PSI.

If any air leaking, disconnect the air hose and repair the leak.

4. Grip the Air Drill firmly with both hands and press down on the Trigger (8).

Caution: If the Air Drill will not turn, or if it stalls while drilling, do not raise the outlet pressure of the air compressor. Do not continue with attempts to drill until the problem is resolved.

5. When you are finished drilling, turn the compressor off, then remove the hose connection to the Air Drill.

Maintenance

1. After each use, wipe the Air Drill with a clean cloth to remove any dirt and grease buildup.
2. To maintain tool life, always lubricate the air line by adding a few drops of pneumatic tool oil to the air line before each use. Or, install the automatic oiler-filter system as illustrated on page 5.
3. Before each use, drain water out of the air compressor tank and condensation from the air lines. Refer to the Air Compressor Operator's Manual.

Manual Tool Lubrication

1. Disconnect the Air Drill from the air supply and turn it so the Air Inlet fitting is facing upward.
2. Hold the Trigger (8) in and place a few drops of pneumatic tool oil into the air inlet (use SAE #10 weight oil if air tool oil is not available). Holding the Trigger lever in helps circulate the oil in the air motor.
3. Connect the Air Drill to the air supply and cover the Muffler Cover (11) with a towel. Run for a few seconds. Excess oil will be blown out the Muffler Cover.

PLEASE READ THE FOLLOWING CAREFULLY

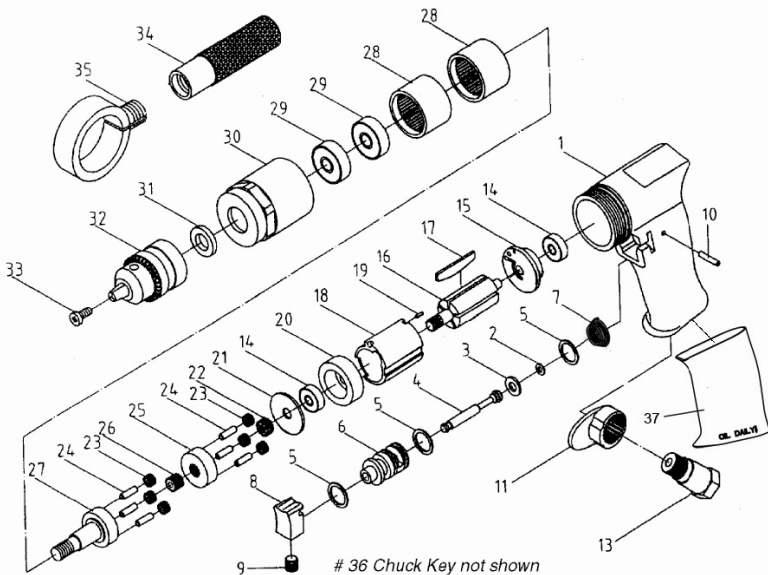
THE MANUFACTURER AND/OR DISTRIBUTOR HAS PROVIDED THE PARTS DIAGRAM IN THIS MANUAL AS A REFERENCE TOOL ONLY. NEITHER THE MANUFACTURER NOR DISTRIBUTOR MAKES ANY REPRESENTATION OR WARRANTY OF ANY KIND TO THE BUYER THAT HE OR SHE IS QUALIFIED TO MAKE ANY REPAIRS TO THE PRODUCT OR THAT HE OR SHE IS QUALIFIED TO REPLACE ANY PARTS OF THE PRODUCT. IN FACT, THE MANUFACTURER AND/OR DISTRIBUTOR EXPRESSLY STATES THAT ALL REPAIRS AND PARTS REPLACEMENTS SHOULD BE UNDERTAKEN BY CERTIFIED AND LICENSED TECHNICIANS AND NOT BY THE BUYER. THE BUYER ASSUMES ALL RISK AND LIABILITY ARISING OUT OF HIS OR HER REPAIRS TO THE ORIGINAL PRODUCT OR REPLACEMENT PARTS THERETO, OR ARISING OUT OF HIS OR HER INSTALLATION OF REPLACEMENT PARTS THERETO.

Parts List

Item	Description	Qty	Item	Description	Qty
1.	Housing	1	19.	Pin	1
2.	O-ring	1	20.	Front Plate	1
3.	O-ring	1	21.	Washer	1
4.	Valve Stem	1	22.	Gear	1
5.	O-ring	3	23.	Gear	6
6.	Bushing	1	24.	Pin	6
7.	Tigger Spring	1	25.	Gear Plate	1
8.	Tigger	1	26.	Gear	1
9.	Tigger Screw	1	27.	Work Spindle	1
10.	Pin	1	28.	Thread Ring Gear	2
11.	Muffler Cover	1	29.	Bearing	2
12.	Screw	2	30.	Clamp Nut	1
13.	Air Inlet	1	31.	Washer	1
14.	Bearing	2	32.	Chuck	1
15.	End Plate	1	33.	Chuck Screw	1
16.	Rotor	1	34.	Handle	1
17.	Rotor Blade	5	35.	Brass Ring	1
18.	Cylinder	1	36.	Chuck Key	1
			37.	Grip	1

NOTE: Some parts are listed and shown for illustration purposes only and are not available individually as replacement parts.

Assembly Drawing



Free Manuals Download Website

<http://myh66.com>

<http://usermanuals.us>

<http://www.somanuals.com>

<http://www.4manuals.cc>

<http://www.manual-lib.com>

<http://www.404manual.com>

<http://www.luxmanual.com>

<http://aubethermostatmanual.com>

Golf course search by state

<http://golfingnear.com>

Email search by domain

<http://emailbydomain.com>

Auto manuals search

<http://auto.somanuals.com>

TV manuals search

<http://tv.somanuals.com>