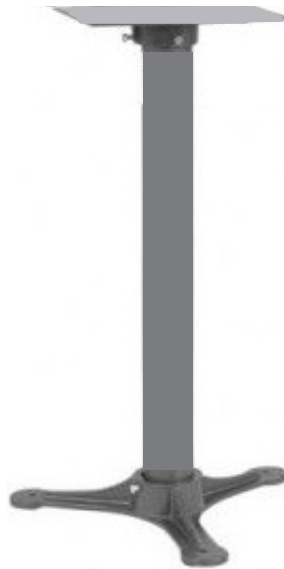




# BENCH GRINDER PEDESTAL STAND

**Model 42986**

## ASSEMBLY AND OPERATING INSTRUCTIONS



Visit our website at: <http://www.harborfreight.com>



**Read this material before using this product.  
Failure to do so can result in serious injury.  
SAVE THIS MANUAL.**

Copyright© 2000 by Harbor Freight Tools®. All rights reserved. No portion of this manual or any artwork contained herein may be reproduced in any shape or form without the express written consent of Harbor Freight Tools. Diagrams within this manual may not be drawn proportionally. Due to continuing improvements, actual product may differ slightly from the product described herein. Tools required for assembly and service may not be included.

For technical questions or replacement parts, please call 1-800-444-3353.

THANK YOU for choosing a **HARBOR FREIGHT TOOLS** product. For future reference, please complete the owner's record below:

**Model** \_\_\_\_\_ **Serial No.** \_\_\_\_\_ **Purchase Date** \_\_\_\_\_

SAVE THE RECEIPT, WARRANTY AND THESE INSTRUCTIONS. It is important that you read the entire manual to become familiar with the unit BEFORE you begin assembly.

### Technical Specifications

<b>Tool Name:</b>	<b>Stand, Bench Grinder Pedestal</b>
<b>Item Number:</b>	<b>42986</b>
Stand Height:	29-1/2"
Table Dimensions:	11" x 9-5/8"
Table Mount Slots:	(Qty =6) 5/8" wide
Base Dimensions:	17-1/4" Triangle
Base Mount Holes:	3/8" Diameter
Material:	Cold Rolled Steel and Cast Iron
Finish:	Grey Enamel Paint
Weight:	21.60
Maximum Weight Capacity:	75 Lbs.



***READ ALL INSTRUCTIONS BEFORE USING THIS PRODUCT!***

**Warning:** The warnings, cautions and instructions discussed in this instruction manual cannot cover all possible conditions and situations that may occur. It must be understood by the operator that **COMMON SENSE AND CAUTION ARE FACTORS WHICH CANNOT BE BUILT INTO THIS PRODUCT, BUT MUST BE SUPPLIED BY THE OPERATOR.**

#### The Operator

PLEASE REMEMBER:

Do not operate the product to be used with this item, if under the influence of alcohol or drugs. Read warning labels on prescriptions to determine if your judgment/reflexes might be impaired.

Do not wear loose clothing or jewelry as they can be caught in parts.

Protective gloves and non-skid footwear are recommended.

Wear restrictive hair covering to contain long hair.

Use eye and ear protection. Always wear ANSI approved impact safety goggles.

Maintain proper footing and balance at all times.

Use the right product for the job. Do not attempt to force a large tool or attachment to do the work of a smaller industrial tool. There are certain applications for which this tool was designed. Do not modify this tool and do not use this tool for a purpose for which it was not intended.

#### Work Area

TO AVOID RISK OF PERSONAL INJURY, EQUIPMENT DAMAGE, FIRE AND SHOCK, MAKE SURE YOUR **WORK AREA** IS:

Free of damp, wet or rainy conditions.

Free of children (never let them handle tools or machinery).

Well-lit.

Clean and uncluttered.

## **Before Using**

Before using any tool, any part that appears damaged should be carefully checked to determine that it will operate properly and perform its intended function.

Make sure all Nuts and Bolts are tight.

Use only Bench Grinders that are fully compatible with the Bench Grinder Pedestal Stand. The Bench Grinder Pedestal Stand fits most Harbor Freight Tool Bench Grinders, but you should always check for sure before using.

Use of the Pedestal Stand is for use with bench grinders only.

## **Assembly**

Your Pedestal Stand will require assembly prior to use. It is important that you read the entire manual to become familiar with the unit **BEFORE** you set up the Stand. Before assembling your Stand, be sure that you have all parts described in the Parts List and Parts Diagram on the last pages of this manual.

Set out all parts on a clear work surface prior to assembly.

**Warning:** Use only bench grinders that are fully compatible with the Bench Grinder Pedestal Stand. Using bench grinders which do not fit this stand may result in harm or serious injury to the operator. The Bench Grinder Pedestal Stand fits most Harbor Freight Tool Bench Grinders, but you should always check for sure before using.

Use the Pedestal Stand for bench grinders only.

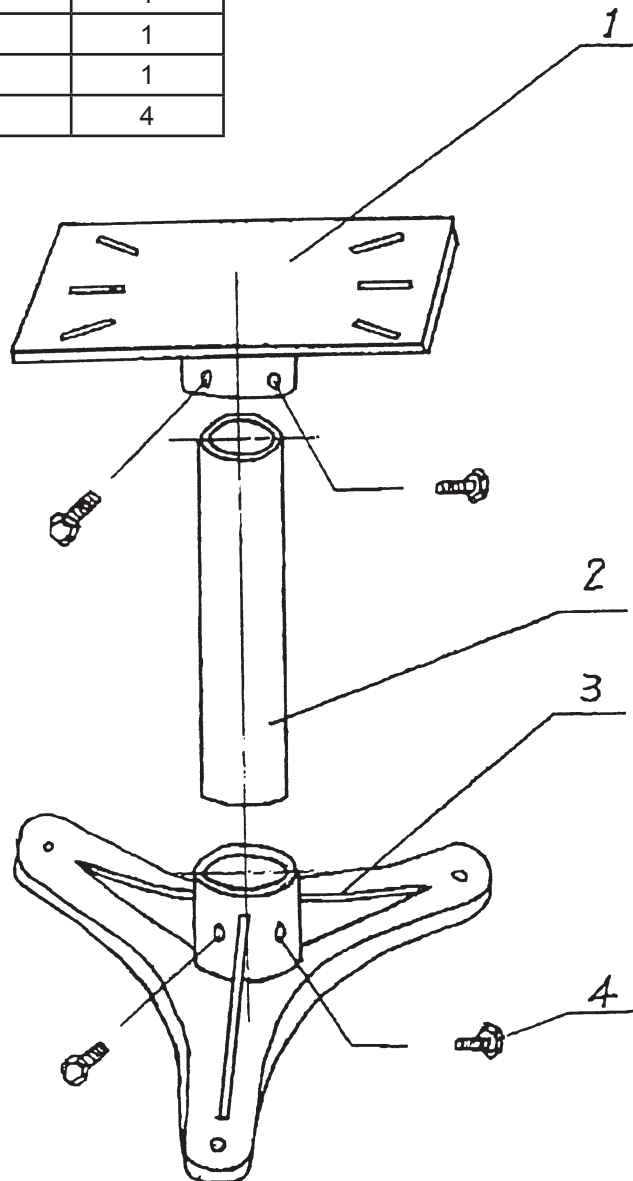
- Step 1) Mount the Base (3) to a heavy-duty block of wood which is larger than the Pedestal Stand Base, or into cement for safety and stability. A rubber mat should be placed between the Base (#3) and the mounting surface to reduce vibration. The Mounting Holes on the Base (3) are 3/8" in diameter. Insert appropriate screws (not included) through the Base (3) and into a flat and secure surface. The mounting surface must be able to support the weight of the Stand as well as the Grinder and work pieces during use.
- Step 2) Insert the Column (#2) into the hole in the Base (3). Insert a Bolt (4) into each hole in the Base (3) and tighten them firmly against the Column (2).
- Step 3) Slide the Work Table (1) into place on top of the Column (2). Thread one Bolt (4) through each hole in the WorkTable. Tighten the Bolts (4) until they are firmly against the Column.
- Step 4) Make certain that all Bolts (4) are tightly in place and that the Stand is secure.
- Step 5) Secure the bench grinder to the Work Table (#1) with six appropriate size bolts, washers and nuts (not included).
- Step 6) Make sure that the Pedestal Stand and the bench grinder are secure before using.

## Unpacking

### UNPACK AND CHECK CONTENTS

When unpacking your Bench Grinder Pedestal Stand, check to make sure the following parts are included. If any parts are missing or broken, please call **HARBOR FREIGHT TOOLS** at **1-800-444-3353**.

Part	Description	Quantity
1	Work Table	1
2	Column	1
3	Base	1
4	Bolt M8 x 24	4



Note: Some parts are listed and shown for illustration purposes only and are not available individually as replacement parts.

### **PLEASE READ THE FOLLOWING CAREFULLY**

**THE MANUFACTURER AND/OR DISTRIBUTOR HAS PROVIDED THE PARTS DIAGRAM IN THIS MANUAL AS A REFERENCE TOOL ONLY. NEITHER THE MANUFACTURER NOR DISTRIBUTOR MAKES ANY REPRESENTATION OR WARRANTY OF ANY KIND TO THE BUYER THAT HE OR SHE IS QUALIFIED TO MAKE ANY REPAIRS TO THE PRODUCT OR THAT HE OR SHE IS QUALIFIED TO REPLACE ANY PARTS OF THE PRODUCT. IN FACT, THE MANUFACTURER AND/OR DISTRIBUTOR EXPRESSLY STATES THAT ALL REPAIRS AND PARTS REPLACEMENTS SHOULD BE UNDERTAKEN BY CERTIFIED AND LICENSED TECHNICIANS AND NOT BY THE BUYER. THE BUYER ASSUMES ALL RISK AND LIABILITY ARISING OUT OF HIS OR HER REPAIRS TO THE ORIGINAL PRODUCT OR REPLACEMENT PARTS THERETO, OR ARISING OUT OF HIS OR HER INSTALLATION OF REPLACEMENT PARTS THERETO.**

## Free Manuals Download Website

<http://myh66.com>

<http://usermanuals.us>

<http://www.somanuals.com>

<http://www.4manuals.cc>

<http://www.manual-lib.com>

<http://www.404manual.com>

<http://www.luxmanual.com>

<http://aubethermostatmanual.com>

Golf course search by state

<http://golfingnear.com>

Email search by domain

<http://emailbydomain.com>

Auto manuals search

<http://auto.somanuals.com>

TV manuals search

<http://tv.somanuals.com>