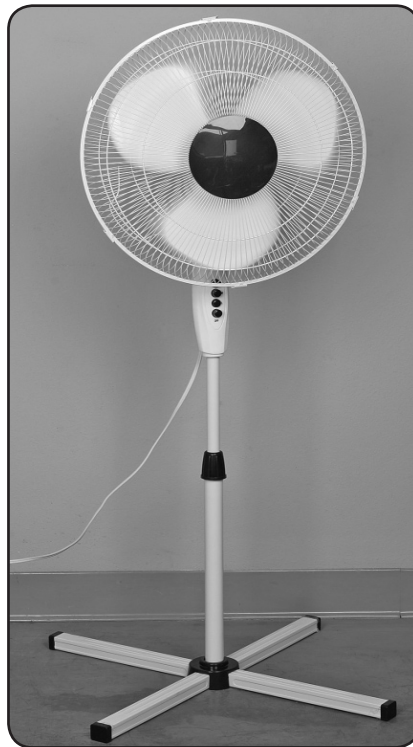


16" OSCILLATING STAND FAN

Model 66950

SET UP AND OPERATING INSTRUCTIONS



Distributed exclusively by Harbor Freight Tools®.

3491 Mission Oaks Blvd., Camarillo, CA 93011

Visit our website at: <http://www.harborfreight.com>



**Read this material before using this product.
Failure to do so can result in serious injury.
READ AND SAVE THESE INSTRUCTIONS.**

Copyright© 2009 by Harbor Freight Tools®. All rights reserved. No portion of this manual or any artwork contained herein may be reproduced in any shape or form without the express written consent of Harbor Freight Tools. Diagrams within this manual may not be drawn proportionally. Due to continuing improvements, actual product may differ slightly from the product described herein. Tools required for assembly and service may not be included.

For technical questions or replacement parts, please call 1-800-444-3353.

⚠ CAUTION

Read Rules for Safe Operation and Instructions Carefully.

⚠ WARNING

1. To reduce the risk of fire or electric shock, do not use this Fan with any solid-state speed control device.
2. This appliance has a polarized plug (one blade is wider than the other). To reduce the risk of electric shock, this plug is intended to fit into a polarized outlet only one way. If the plug does not fit fully in the outlet, reverse the plug. If it still does not fit, contact a qualified electrician. Do not change the plug in any way. Do not attempt to defeat this safety feature.
3. Do not leave Fan running while unattended.

RULES FOR SAFE OPERATION

1. Never insert fingers, pencils, or any other object through Front Grill (2) or Rear Grill (6).
2. Disconnect Fan when moving it from one location to another.
3. Disconnect Fan before removing grilles for cleaning.
4. Be sure fan is on a stable surface when operating to avoid tipping.
5. DO NOT use fan in window. Rain may create electrical hazard.

6. Complete the assembly of the fan before switching on the fan.



SAVE THESE INSTRUCTIONS.

Safety Symbols

In this manual, on the labeling, and all other information provided with this product:



This is the safety alert symbol. It is used to alert you to potential personal injury hazards. Obey all safety messages that follow this symbol to avoid possible injury or death.

⚠ DANGER

DANGER indicates a hazardous situation which, if not avoided, will result in death or serious injury.

⚠ WARNING

WARNING indicates a hazardous situation which, if not avoided, could result in death or serious injury.

⚠ CAUTION

CAUTION, used with the safety alert symbol, indicates a hazardous situation which, if not avoided, could result in minor or moderate injury.

NOTICE

NOTICE is used to address practices not related to personal injury.

CAUTION

CAUTION, without the safety alert symbol, is used to address practices not related to personal injury.

Additional Safety Instructions

1. Maintain labels and nameplates on the tool. If unreadable or missing, contact Harbor Freight Tools for a replacement.
2. Do not run Power Cord (36) under carpeting. Do not cover Cord with throw rugs, runners or similar coverings. Arrange cord away from traffic area and where it will not be tripped over.
3. Use only in dry environments. Do not use in bathrooms, laundry area, near sinks or other sources of water.
4. Do not run Fan without Front and Rear Grills (2, 6) in place.
5. This product is not a toy. Keep it out of reach of children.
6. **WARNING:** Handling Cord on this product will expose you to lead, a chemical known to the State of California to cause cancer, and birth defects or other reproductive harm. Wash hands after handling. (California Health & Safety Code § 25249.5, et seq.)
7. The warnings, precautions, and instructions discussed in this instruction manual cannot cover all conditions and situations that may occur. It must be understood by operator that common sense and caution are factors which cannot be built into this product, but must be supplied by operator.

SPECIFICATIONS

Electrical Requirements	120 V~ / 60 Hz / .37 A
Speeds (approximately)	Low: 1120 RPM Medium: 1280 RPM High: 1420 RPM

HOUSEHOLD USE ONLY



UNPACKING

When unpacking, make sure item is intact and undamaged. If parts are missing or broken, call Harbor Freight Tools at 1-800-444-3353 as soon as possible.

Save This Manual

Keep this manual for safety warnings and precautions, assembly, operating, inspection, maintenance and cleaning procedures. Write product's serial number in back of manual near assembly diagram (or month and year of purchase if product has no number). Keep this manual and receipt in a safe place for future reference.

ASSEMBLY



Read the **ENTIRE RULES FOR SAFE OPERATION** section at the beginning of this manual including all text under subheadings therein before set up or use of this product.

⚠ WARNING TO PREVENT SERIOUS INJURY FROM ACCIDENTAL OPERATION OR ELECTRIC SHOCK: Before assembly, cleaning or adjustment, make sure OFF key is pressed and the cord is unplugged.

Note: For additional information regarding parts listed, refer to **Assembly Diagram** at back of manual.

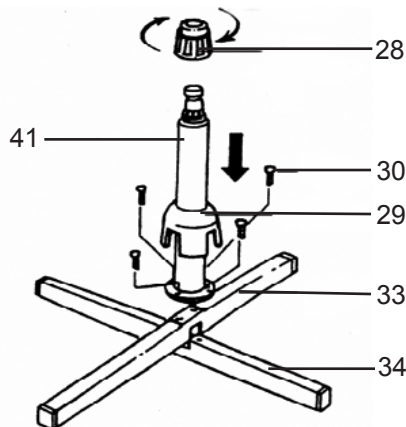


Figure A

1. Using Screws (30) and Washers (31, 32), attach Lower Shaft (41) to Upper Cross Stand (33) and Lower Cross Stand (34). See **Figure A**, above.
2. Unthread and remove Height Adjustment Knob (28) from Lower Shaft. Slide Base Cover (29) down Shaft until it covers intersection of Upper and Lower Cross Stands.

3. Extend Upper Column (42) from Lower Shaft and thread Height Adjustment Knob back onto Lower Column until its threaded back into place. **WARNING!** This must be done before top half of Fan is assembled onto Upper Column.
4. Unthread Spinner (3) from Spindle (7) by turning it **clockwise**. Remove Plastic Nut (5) from Motor Housing, by turning it counterclockwise. See **Figure B**, below.

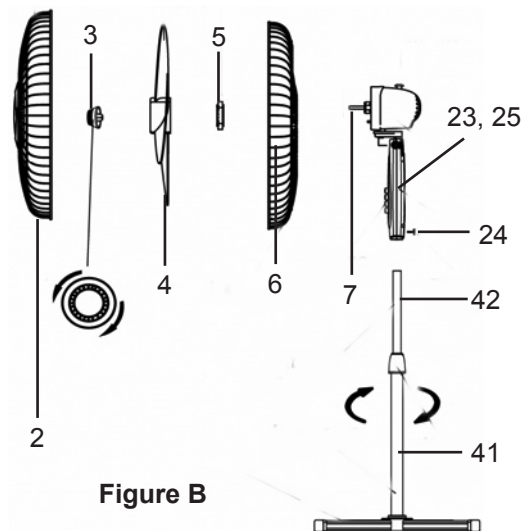


Figure B

5. Slide Rear Grill (6) over retainer on face of Motor Housing, aligning locator pin on Housing with pin hole for Rear Grill. In this mode, the catch on edge of Rear Grill will be at lowest position. Thread on Plastic Nut (5) clockwise, but do not overtighten. See **Figure B**.
6. Insert Propeller over Spindle. Align cross-pin of Spindle with recess in the inner face of Propeller. Attach Spinner (3), turning it counterclockwise to tighten. See **Figure B**.
7. Fasten Front Grill (2) onto Rear Grill (6) using latches along edges of both Grills and the locking screw on the

Rear Grill. **WARNING!** Do not activate Fan until properly latched.

8. Use Screws (24) to fasten Front and Rear Shaft Housing (23, 25) to Upper Shaft. See **Figure B**.

OPERATION



Read **ENTIRE RULES FOR SAFE OPERATION** section at beginning of manual including all text under subheadings therein before set up or use.

1. To make the fan oscillate, push the Knob (11) down. To make the fan stop oscillating, pull the Knob up.
2. To adjust the angle of air flow, tilt the Housing (12) and move to desired angle.
3. To adjust height of fan, loosen the Height Adjustment Knob (28) and raise or lower fan. Retighten Knob once desired height is reached.
4. To activate, plug the Power Cord (36) into the nearest wall outlet.
5. To adjust the speed, push one of the desired Switches (21). The available speeds are Low, Medium and High. To turn off fan, press the Off Switch.

INSPECTION AND MAINTENANCE

WARNING

TO PREVENT SERIOUS INJURY

FROM ACCIDENTAL OPERATION OR ELECTRIC SHOCK: Before appliance inspection or maintenance, make sure Off key is pressed and Power Cord is unplugged.

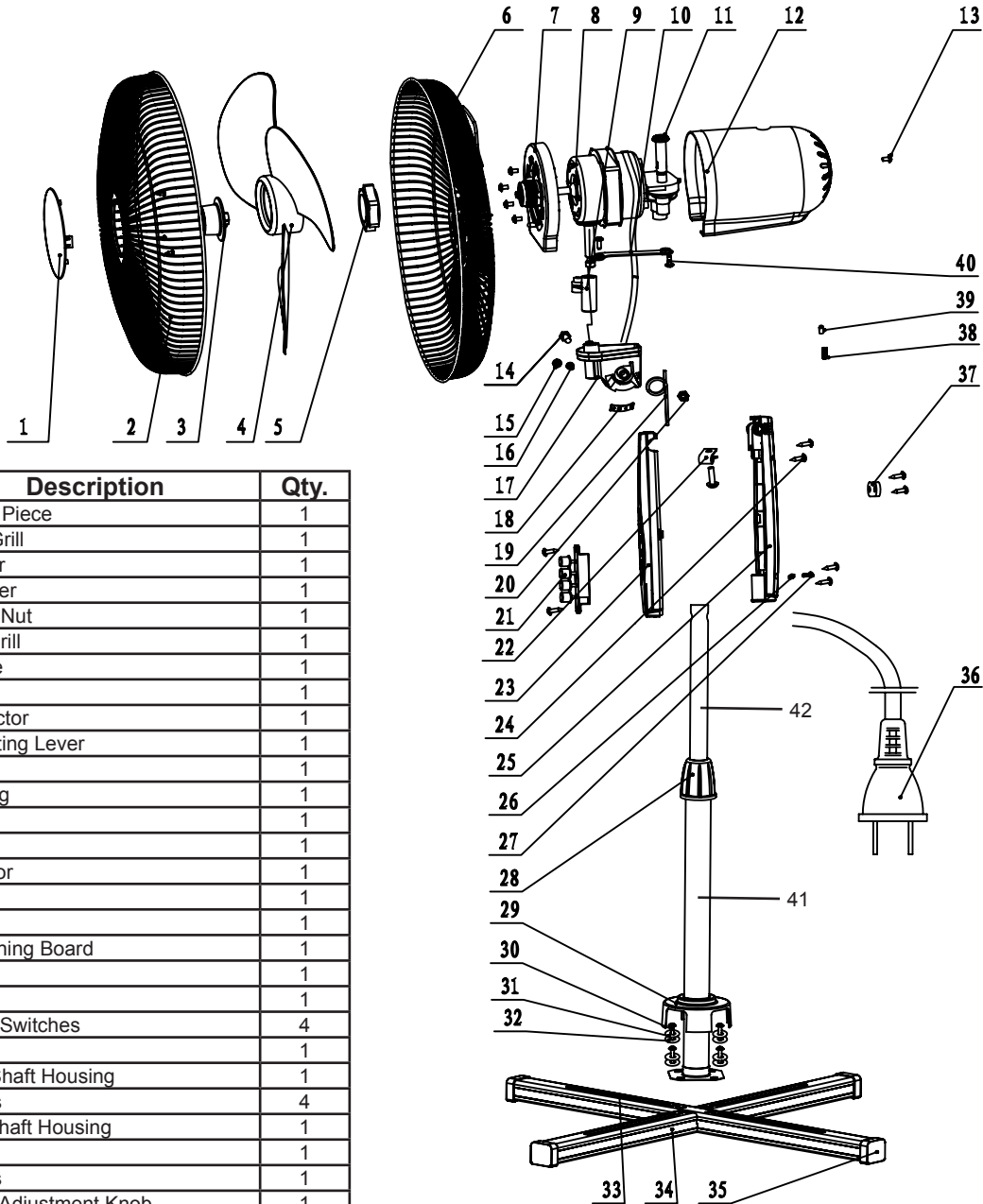
TO PREVENT SERIOUS INJURY FROM APPLIANCE FAILURE: Do not use damaged appliances. If abnormal noise or vibration occurs, have the problem corrected before further use.

1. **BEFORE EACH USE**, inspect condition of the Fan. Check for loose screws, misalignment or binding of moving parts, cracked or broken parts, and any other condition that may affect its safe operation.
2. Clean regularly to prevent dust from accumulating on Propeller (4). Unfasten latches along Front and Rear Grills, remove Front Gill, and use damp cloth to wipe Blade. Dry and replace Front Grill before use.
3. To maximize air circulation, dismantle Grills and Propeller and wash and dry each part when dirty.
4. **WARNING!** Do not allow any water to get into the Motor (8).

PLEASE READ THE FOLLOWING CAREFULLY

THE MANUFACTURER AND/OR DISTRIBUTOR HAS PROVIDED THE PARTS LIST AND ASSEMBLY DIAGRAM IN THIS MANUAL AS A REFERENCE TOOL ONLY. NEITHER THE MANUFACTURER OR DISTRIBUTOR MAKES ANY REPRESENTATION OR WARRANTY OF ANY KIND TO THE BUYER THAT HE OR SHE IS QUALIFIED TO MAKE ANY REPAIRS TO THE PRODUCT, OR THAT HE OR SHE IS QUALIFIED TO REPLACE ANY PARTS OF THE PRODUCT. IN FACT, THE MANUFACTURER AND/OR DISTRIBUTOR EXPRESSLY STATES THAT ALL REPAIRS AND PARTS REPLACEMENTS SHOULD BE UNDERTAKEN BY CERTIFIED AND LICENSED TECHNICIANS, AND NOT BY THE BUYER. THE BUYER ASSUMES ALL RISK AND LIABILITY ARISING OUT OF HIS OR HER REPAIRS TO THE ORIGINAL PRODUCT OR REPLACEMENT PARTS THERETO, OR ARISING OUT OF HIS OR HER INSTALLATION OF REPLACEMENT PARTS THERETO.

PARTS LIST AND ASSEMBLY DIAGRAM



Part	Description	Qty.
1	Center Piece	1
2	Front Grill	1
3	Spinner	1
4	Propeller	1
5	Plastic Nut	1
6	Rear Grill	1
7	Spindle	1
8	Motor	1
9	Connector	1
10	Oscillating Lever	1
11	Knob	1
12	Housing	1
13	Screw	1
14	Screw	1
15	Insulator	1
16	Screw	1
17	Neck	1
18	Positioning Board	1
19	Spring	1
20	Screw	1
21	Speed Switches	4
22	Clip	1
23	Front Shaft Housing	1
24	Screws	4
25	Rear Shaft Housing	1
26	Nut	1
27	Screws	1
28	Height Adjustment Knob	1
29	Base Cover	1
30	Screw	4
31	Washer	4
32	Washer	4
33	Upper Cross Stand	1
34	Lower Cross Stand	1
35	Leg Cap	4
36	Power Cord	1
37	Cord Clamp	1
38	Spring	1
39	Ball	1
40	Screws	1
41	Lower Column	1
42	Upper Column	1

Record Product's Serial Number Here:

Note: If product has no serial number, record month and year of purchase instead.

Note: Some parts are listed and shown for illustration purposes only, and are not available individually as replacement parts.

Free Manuals Download Website

<http://myh66.com>

<http://usermanuals.us>

<http://www.somanuals.com>

<http://www.4manuals.cc>

<http://www.manual-lib.com>

<http://www.404manual.com>

<http://www.luxmanual.com>

<http://aubethermostatmanual.com>

Golf course search by state

<http://golfingnear.com>

Email search by domain

<http://emailbydomain.com>

Auto manuals search

<http://auto.somanuals.com>

TV manuals search

<http://tv.somanuals.com>