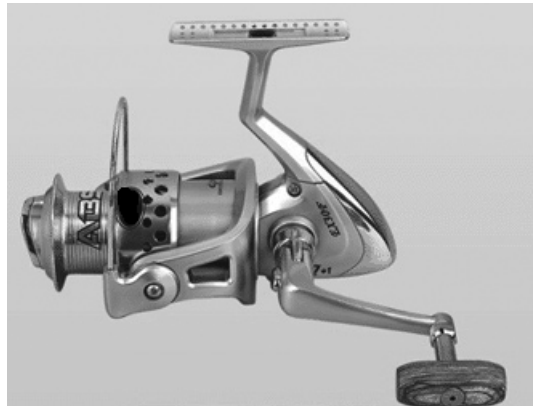




# FISHING REEL WITH FRONT DRAG ADJUSTMENT

**Model 95493**

## ASSEMBLY AND OPERATION INSTRUCTIONS



Diagrams within this manual may not be drawn proportionally.

Due to continuing improvements, actual product may differ slightly from the product described herein.

**Distributed exclusively by Harbor Freight Tools®.**

3491 Mission Oaks Blvd., Camarillo, CA 93011

Visit our website at: <http://www.harborfreight.com>



**Read this material before using this product.  
Failure to do so can result in serious injury.  
SAVE THIS MANUAL.**

Copyright© 2006 by Harbor Freight Tools®. All rights reserved. No portion of this manual or any artwork contained herein may be reproduced in any shape or form without the express written consent of Harbor Freight Tools.

**For technical questions or replacement parts, please call 1-800-444-3353.**

---

## SPECIFICATIONS

---

Material	Bail assembly: carbon steel and cast aluminum Spool: cast aluminum Rotor: injection molded plastic Handle assembly: cast aluminum with wood handle
Approximate Line Capacity	230 yd. for 6 lb. test, 190 yd. for 8 lb. test, 155 yd. for 10 lb. test
Gear Ratio	5.2:1
Overall Dimensions	5-3/8" L x 6-1/4" W x 5-3/8" H
Instant anti-reverse for optimum hook setting and smooth front drag, 7+1 ball bearing drive design with one way clutch	

### Save This Manual

You will need this manual for the safety warnings and precautions, assembly, operating, inspection, maintenance and cleaning procedures, parts list and assembly diagram. Keep your invoice with this manual. Keep this manual and invoice in a safe and dry place for future reference.

---

## GENERAL SAFETY RULES

---



**READ AND UNDERSTAND ALL INSTRUCTIONS**  
**Failure to follow all instructions listed below may result in**  
**serious injury.**  
**SAVE THESE INSTRUCTIONS**

1. **Know and understand the fishing laws and regulations for the area you where you will be fishing.**
2. **Make certain that the area that you are fishing in is clear of hazards, both above and below the surface of the water.**
3. **Stay alert.** Watch what you are doing and use common sense when using this product.
4. **Dress properly while fishing.** Do not wear loose clothing or jewelry. Contain long hair. Wear non-skid footwear.
5. **Do not overreach.** Keep proper footing and balance at all times.
6. **Use safety equipment during use.** Always wear eye protection to protect yourself while casting a fishing line with a sharp hook.
7. **Do not force the Fishing Reel.** Use the correct product for your application. Do not use the Fishing Reel for a purpose for which it is not intended.
8. **Store idle product and tackle out of reach of children and other untrained persons.** These items can be dangerous in the hands of untrained users.
9. **Always remove hooks and lures from your fishing line and store them in your tackle box when moving your equipment and when you have finished fishing.**

REV 09b

SKU 95493

**For technical questions, please call 1-800-444-3353.**

Page 2

10. **Maintain products with care.** The Fishing Reel is a precision instrument and can be broken or damaged by dropping or by impact.
11. **Maintain labels and nameplates on the product.** These carry important information. If unreadable or missing, contact Harbor Freight Tools for a replacement.
12. **Do not exceed the maximum line capacity of 6 lb.=230 yd, 8 lb.=190 yd., 10 lb.=155 yd.**
13. **Check for misalignment or binding of moving parts, breakage of parts, and any other condition that may affect the product's operation.** If damaged, have the product serviced before using. Many accidents are caused by poorly maintained products.
14. **Children must be closely supervised by a responsible adult when using this product.**

---

## UNPACKING

---

When unpacking, check to make sure that the item is intact and undamaged. If any parts are missing or broken, please call Harbor Freight Tools at the number shown on the cover of this manual as soon as possible.

---

## OPERATION

---

### Handle

1. To change the location of the Handle Assembly (54), unscrew Handle Cap (46), remove Handle Assembly (54) and reassemble it to the other side of the Fishing Reel-see Figure 1.
2. The Handle Assembly (54) can be folded up next to of the Fishing Reel by pressing the Handle Release Button on the Handle and gently folding it upward and out of the way.

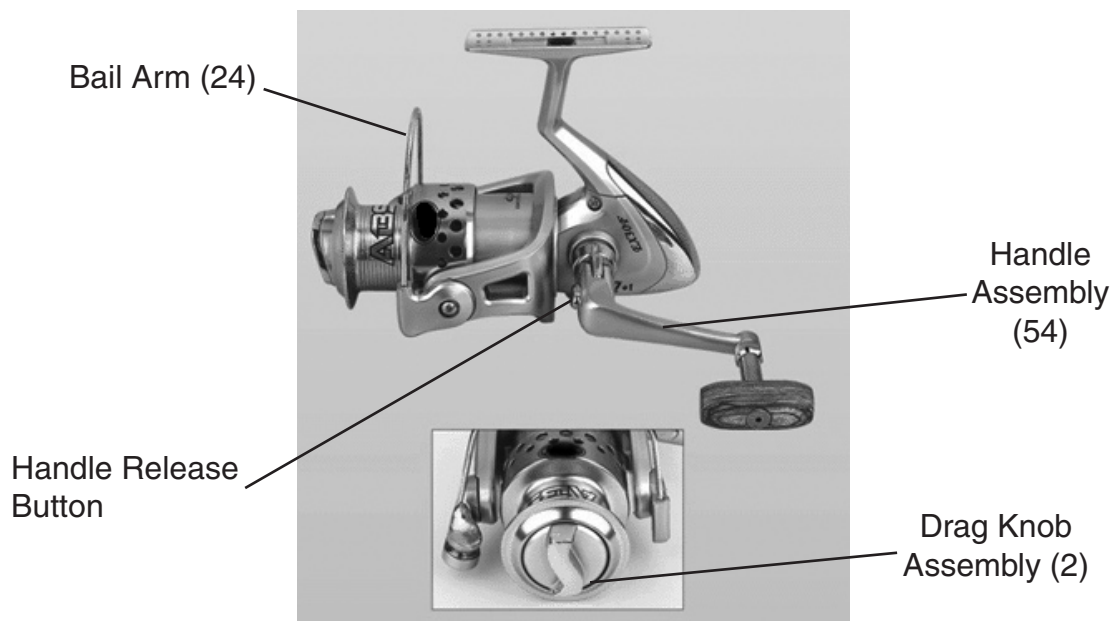


Figure 1

## **Open or Closed Bail**

1. The Bail Arm (24) can be either set to an Open or Closed position-see Figure 1.
2. When in the closed or down position, the Bail Arm (24) prevents line from being released and coming off of the Spool. When the Bail is opened, the line is ready to be released during a cast.
3. Crank the Handle to close the Bail Arm.

## **Loading the Spool**

1. Open up the Bail Arm (24). Tie new line to the Spool Assembly (13). Close the Bail Arm (24) and begin winding the line on.
2. Make certain that the new line comes off the filler spool in the same direction it would come off the Spool Assembly (13). Keep tension on the line while winding. This can be done by feeding the line through a cloth in-between thumb and forefinger.

## **Setting Drag**

Setting drag is a procedure used to reduce line breakage when the line is under stress.

1. Set the drag by running the fishing line over the Bail and through the line guides. Tie the fishing line to a secure point.
2. With the rod at an angle of about 45 degrees, apply pressure to the line.
3. Turn the Drag Knob Assembly (2) toward either the "Less" (counterclockwise-when facing knob) or "More" (clockwise) drag setting-see Figure 1. Adjust as necessary.

## **The Line Clip**

The Line Clip (28) is located on top of the Spool Assembly (13). Use the Line Clip (28) to hold the line firmly when the Bail is open. It will retain the end of the line when the Fishing Reel is not in use.

## **Casting**

1. Grasp the rod with your rod hand. Capture the fishing line between your forefinger and the rod and open the bail.
2. With the bail open, swing the rod back behind your shoulder and then back out again in a smooth arc, releasing the line. When bait or lure hits the water, turn handle to reset Bail arm.
3. Effective casting takes practice. Become familiar with casting procedures by practicing in your yard or on location. When practicing in a yard, do not use sharp hooks.
4. Cast safely and efficiently; use eye protection to protect your eyes from sharp hooks during casting procedures.

## **Anti-Reverse Cam**

The Fishing Reel comes with an Anti-Reverse function which prevents the head of the Fishing Reel from rotating backward when the line is being pulled out against the drag clutch. To activate or deactivate this feature, toggle the Anti-Reverse Lever (44).



Anti-Reverse Lever  
(44)

---

## **CLEANING AND MAINTENANCE**

---

1. Oil all exterior moving parts on a regular basis including Bail, Handle Assembly and other moving parts.
2. On a yearly basis grease all internal mechanisms.
3. Store in a safe, dry place out of sunlight. Store out of the reach of children.

## PARTS LIST

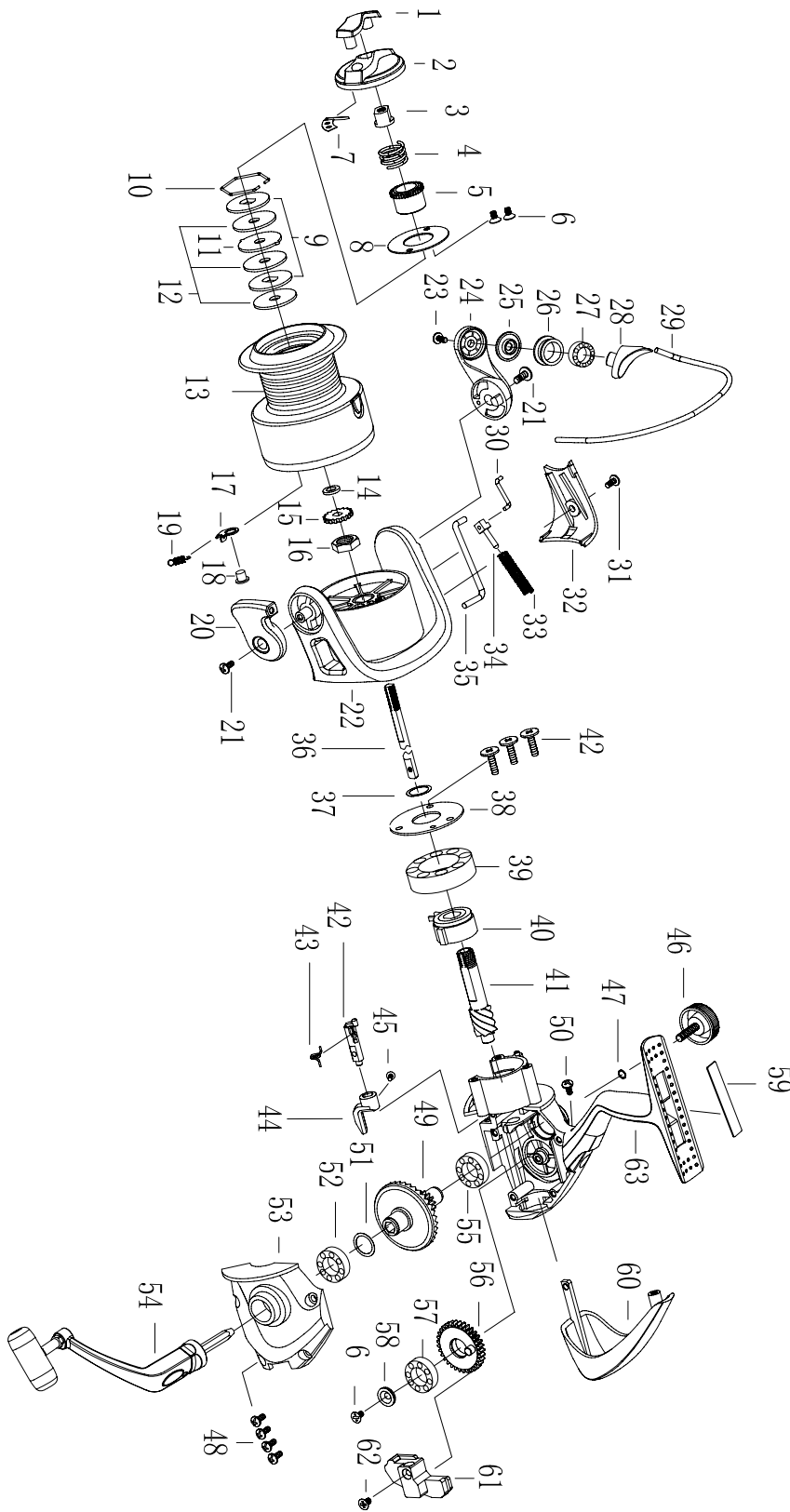
Part	Description
1	Drag Knob Cover
2	Drag Knob Assembly
3	Drag Screw
4	Spring
5	Click Gear
6	Screw
7	Click Leaf
8	Plate
9	Key Washer
10	Drag Washer Retainer
11	Washer
12	Eared Washer
13	Spool Assembly
14	Washer
15	Click Gear
16	Rotor Nut
17	Click Leaf
18	Rivet
19	Spring
20	Bail Holder
21	Screw
22	Rotor Assembly
23	Screw
24	Bail Arm
25	Washer
26	Line Roller
27	Ball Bearing
28	Line Clip
29	Bail Line
30	Bail Trip Shaft
31	Screw
32	Bail Trip Cover
33	Spring
34	Kick Slider

Part	Description
35	Bail Trip Shaft
36	Main Shaft
37	Washer
38	Plate
39	Ball Bearing
40	One-Way Clutch Bearing Assembly
41	Pinion Gear
42	Anti-Reverse Cam
43	Anti-Reverse Spring
44	Anti-Reverse Lever
45	Screw
46	Handle Screw Cap
47	Washer
48	Screw
49	Drive Gear
50	Screw
51	Washer
52	Ball Bearing
53	Main Cover
54	Handle Assembly (Includes 2 Ball Bearings)
55	Ball Bearing
56	Oscillating Gear
57	Ball Bearing
58	Washer
59	Brand Plate
60	Body Cover
61	Oscillating Slider
62	Screw
63	Body
64	Slider Switch
65	Screw
66	Body Assembly

### PLEASE READ THE FOLLOWING CAREFULLY

THE MANUFACTURER AND/OR DISTRIBUTOR HAS PROVIDED THE PARTS LIST AND ASSEMBLY DIAGRAM IN THIS MANUAL AS A REFERENCE TOOL ONLY. NEITHER THE MANUFACTURER OR DISTRIBUTOR MAKES ANY REPRESENTATION OR WARRANTY OF ANY KIND TO THE BUYER THAT HE OR SHE IS QUALIFIED TO MAKE ANY REPAIRS TO THE PRODUCT, OR THAT HE OR SHE IS QUALIFIED TO REPLACE ANY PARTS OF THE PRODUCT. IN FACT, THE MANUFACTURER AND/OR DISTRIBUTOR EXPRESSLY STATES THAT ALL REPAIRS AND PARTS REPLACEMENTS SHOULD BE UNDERTAKEN BY CERTIFIED AND LICENSED TECHNICIANS, AND NOT BY THE BUYER. THE BUYER ASSUMES ALL RISK AND LIABILITY ARISING OUT OF HIS OR HER REPAIRS TO THE ORIGINAL PRODUCT OR REPLACEMENT PARTS THERETO, OR ARISING OUT OF HIS OR HER INSTALLATION OF REPLACEMENT PARTS THERETO.

# PARTS AND ASSEMBLY DIAGRAM



## Free Manuals Download Website

<http://myh66.com>

<http://usermanuals.us>

<http://www.somanuals.com>

<http://www.4manuals.cc>

<http://www.manual-lib.com>

<http://www.404manual.com>

<http://www.luxmanual.com>

<http://aubethermostatmanual.com>

Golf course search by state

<http://golfingnear.com>

Email search by domain

<http://emailbydomain.com>

Auto manuals search

<http://auto.somanuals.com>

TV manuals search

<http://tv.somanuals.com>