



6' X 6' GREENHOUSE

Model 97439

SET UP AND MAINTENANCE INSTRUCTIONS



Distributed exclusively by Harbor Freight Tools®.

3491 Mission Oaks Blvd., Camarillo, CA 93011

Visit our website at: <http://www.harborfreight.com>



**Read this material before using this product.
Failure to do so can result in serious injury.
SAVE THIS MANUAL.**

Copyright© 2007 by Harbor Freight Tools®. All rights reserved. No portion of this manual or any artwork contained herein may be reproduced in any shape or form without the express written consent of Harbor Freight Tools. Diagrams within this manual may not be drawn proportionally. Due to continuing improvements, actual product may differ slightly from the product described herein. Tools required for assembly and service may not be included.

For technical questions or replacement parts, please call 1-800-444-3353.

MANUAL REVISED 08h

SAVE THIS MANUAL

Keep this manual for the safety warnings and precautions, assembly, operating, inspection, maintenance and cleaning procedures. Write the product's serial number in the back of the manual near the assembly diagram (or month and year of purchase if product has no number). Keep this manual and the receipt in a safe and dry place for future reference.

IMPORTANT SAFETY INFORMATION

In this manual, on the labeling, and all other information provided with this product:



This is the safety alert symbol. It is used to alert you to potential personal injury hazards. Obey all safety messages that follow this symbol to avoid possible injury or death.

DANGER

DANGER indicates a hazardous situation which, if not avoided, will result in death or serious injury.

WARNING

WARNING indicates a hazardous situation which, if not avoided, could result in death or serious injury.

CAUTION

CAUTION, used with the safety alert symbol, indicates a hazardous situation which, if not avoided, could result in minor or moderate injury.

NOTICE

NOTICE is used to address practices not related to personal injury.

CAUTION

CAUTION, without the safety alert symbol, is used to address practices not related to personal injury.



WARNING Read all safety warnings and instructions. Save all warnings and instructions for future reference.

Assembly Precautions

1. Assemble only according to these instructions. Improper assembly can create hazards.
2. Wear ANSI-approved safety goggles and heavy-duty work gloves during assembly.
3. Keep assembly area clean and well lit.
4. Keep bystanders out of the area during assembly.
5. Do not assemble when tired or when under the influence of drugs or medication.

Use Precautions

1. Do not operate any fuel burning device inside the greenhouse. Asphyxiation hazard!
2. Do not smoke or allow sources of ignition inside the greenhouse. Risk of fire! Greenhouse is not flame retardant.
3. Snow/debris accumulation hazard. The heavy weight of accumulated

snow or other debris can cause parts of this greenhouse to buckle suddenly. Do not allow snow or debris to accumulate on top of the greenhouse. NEVER enter a greenhouse with accumulated debris on top.

4. Assemble the Greenhouse in a smooth, level area that is sheltered from the wind.
5. High winds can tear the Greenhouse loose from the Spikes and could result in property damage or personal injury. In case of severe weather or high winds, take the Greenhouse apart or move it under cover.
6. This product is not a toy. Do not allow children to play with or near this item.
7. Use for intended purpose(s) only.
8. Inspect before use; do not use if parts loose or damaged.
9. Maintain product labels and nameplates. These carry important safety information. If unreadable or missing, contact Harbor Freight Tools for a replacement.
10. The warnings, precautions, and instructions discussed in this instruction manual cannot cover all possible conditions and situations that may occur. It must be understood by the operator that common sense and caution are factors which cannot be built into this product, but must be supplied by the operator.

UNPACKING

When unpacking, check to make sure that the item is intact and undamaged. If any parts are missing or broken, please call Harbor Freight Tools at the number shown on the cover of this manual as soon as possible.

 **SAVE THESE INSTRUCTIONS.**

ASSEMBLY INSTRUCTIONS

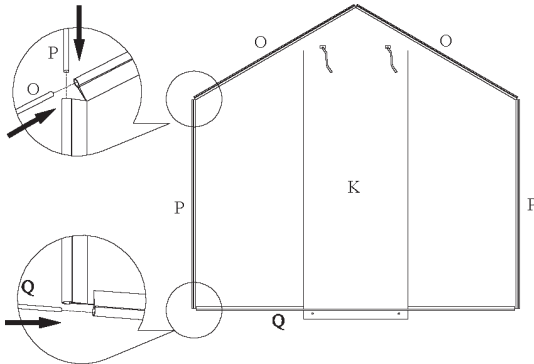


Read the **ENTIRE IMPORTANT SAFETY INFORMATION** section at the beginning of this manual including all text under subheadings therein before set up or use of this product.

Note: For additional information regarding the parts listed in the following pages, refer to the Assembly Diagram near the end of this manual.

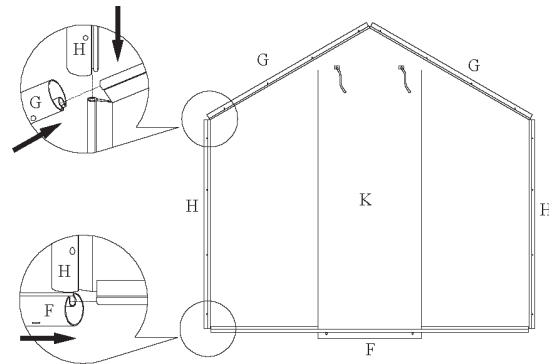
Note: The Greenhouse is heavy and unwieldy when fully assembled. It should be assembled near the area where it will be anchored. The area should be firm, level, and provide shelter from the wind.

Figure for Slat Assembly (Steps 1-3)



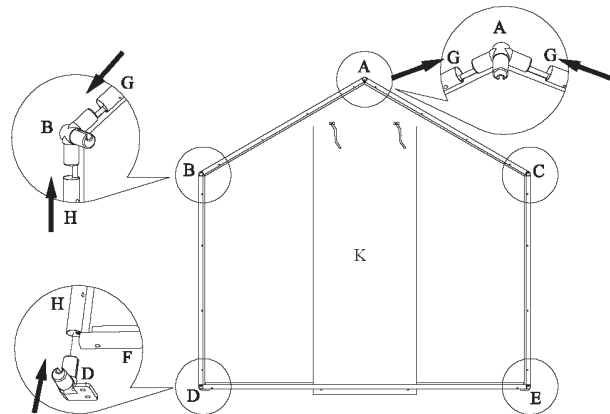
1. Slide two Rafter Slats (O) into the sleeves on the top of the Front Panel (K).
2. Slide two Side Slats (P) into the sleeves on the sides of the Front Panel.
3. Slide Bottom Slat (Q) into the sleeve on the bottom of the Front Panel.

Figure for Pole Assembly (Steps 4-6)



4. Fit the covered Rafter Slats into the grooves in the Rafter Poles (G) and slide into place, with the holes on the Rafter Poles facing toward you (see insets above).
5. Fit the covered Side Slats into the grooves in the Side Poles (H) and slide into place, with the holes on the Side Poles facing toward you.
6. Fit the covered Bottom Slat into the groove in the Bottom Pole (F) and slide into place, with the holes on the Bottom Pole facing toward you.

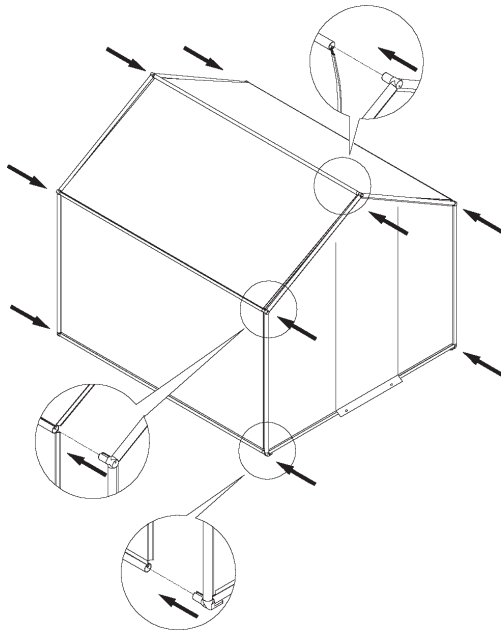
Figure for Connector Ass'y (Steps 7-8)



7. Secure the Rafter Poles together at the peak of the roof using Connector A. Make sure the unconnected point on the Connector faces towards you.

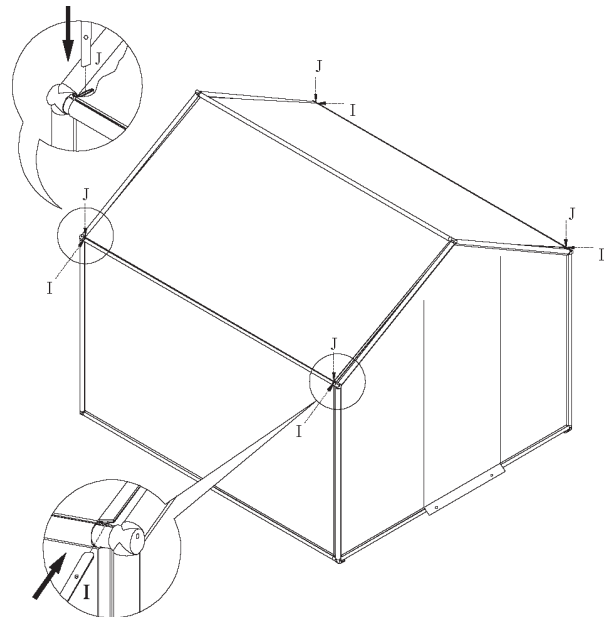
8. Secure both top corners using a Connector B on the left side and a Connector C on the right side, again make sure the unconnected point on the Connectors face towards you.
9. Secure the bottom left-hand corner of the Panel with Connector D. Use the Hex Wrench (T) to fasten a Hex Screw (S) into the hole on the bottom of the Bottom Pole.
10. Secure the bottom right-hand corner of the Panel with Connector E. Use the Hex Wrench (T) to fasten a Hex Screw (S) into the hole on the bottom of the Bottom Pole.
11. Repeat the above steps to assemble the Rear Panel (L).

Figure for Panel Assembly (Step 12)



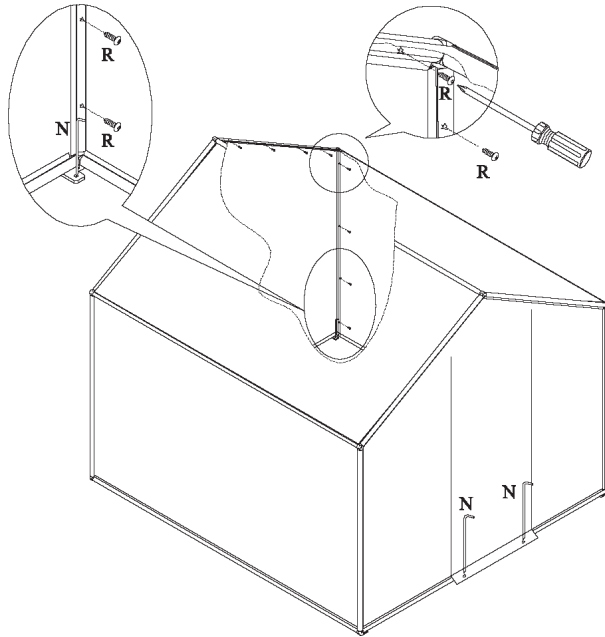
12. Line up the Connectors on the Front and Rear Panels and connect to the Body Panel (M). The uppermost pole in the Body Panel should be turned with the connection downward. All other poles should be turned with the connection upward, as shown.

Figure for Bar Installation (Steps 13-14)



13. Insert Rafter Bars (I) into the Sleeves at the top of the Body Panel (M).
14. Insert Side Bars (J) into the Sleeves at the sides of the Body Panel (M).

Figure for Bar Connection (Steps 15-19)



to the ground. Use the two remaining Stakes to secure the door flap.

MAINTENANCE AND SERVICING

1. Periodically, inspect the general condition of the product. Check for loose screws cracked or broken parts, and any other condition that may affect its safe operation. If any defects are found have them repaired or the parts replaced immediately.
 2. Clean external surfaces of the product with clean, moist cloth.
15. Find the holes in the Bars (I, J) and line them up with the holes in the Poles (G, H).
 16. Secure the Bars (I, J) to the Poles (G, H) using four Screws (R) per Bar. The Screws will be threaded directly through the cloth surrounding the Bars.
 17. Choose an area for the Greenhouse that is flat, level and free of debris. If possible place the Greenhouse in an area that is sheltered from the wind. High winds can tear the Greenhouse loose from the Stakes (N) and could result in property damage or personal injury. In case of severe weather, take the Greenhouse apart.
 18. Examine the area where the Greenhouse is to be placed. Make sure there are no utility lines beneath the surface that might be damaged by the Stakes.
 19. Hammer the Stakes (N) into each corner of the Greenhouse to secure it

PLEASE READ THE FOLLOWING CAREFULLY

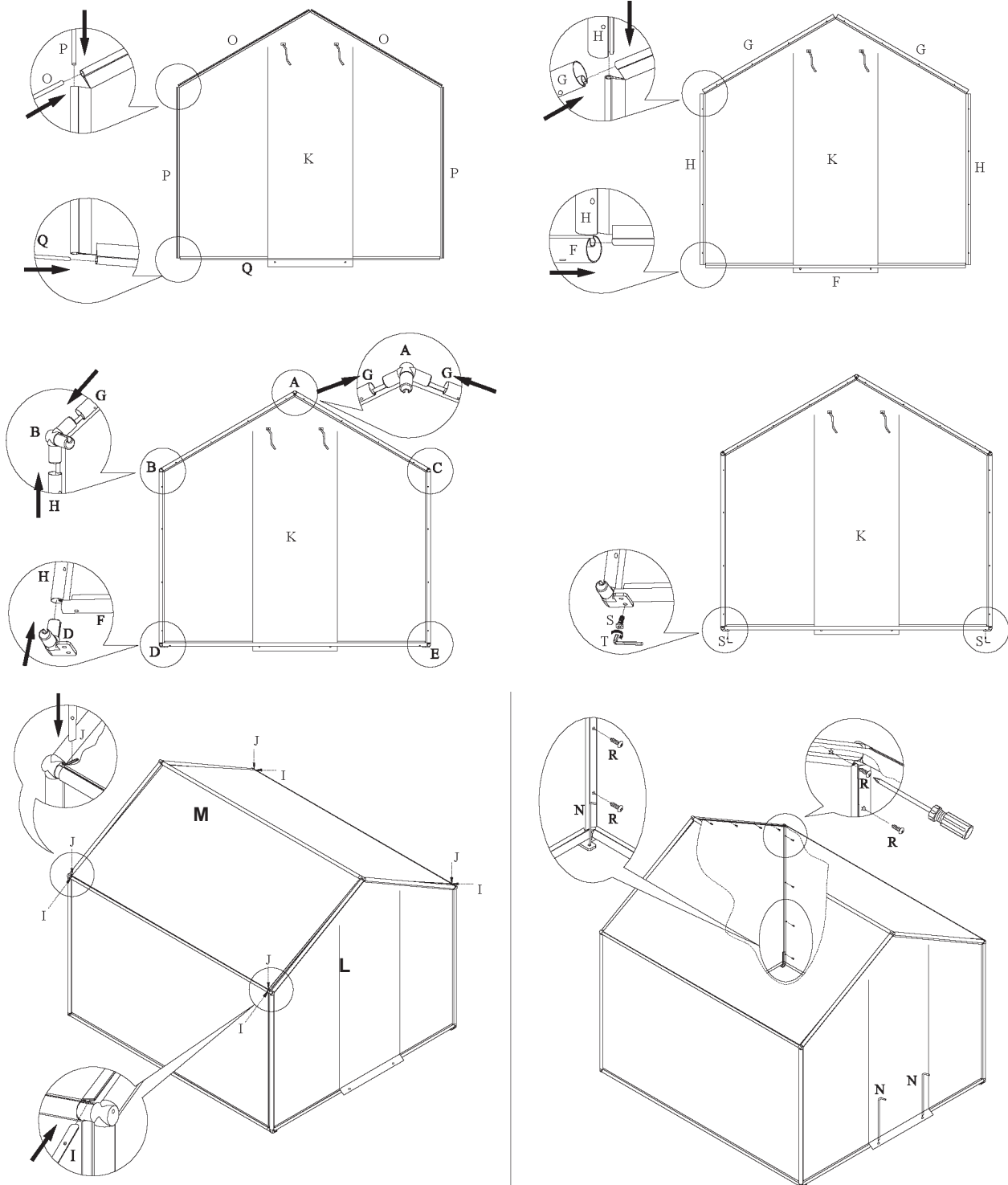
THE MANUFACTURER AND/OR DISTRIBUTOR HAS PROVIDED THE PARTS LIST AND ASSEMBLY DIAGRAM IN THIS MANUAL AS A REFERENCE TOOL ONLY. NEITHER THE MANUFACTURER OR DISTRIBUTOR MAKES ANY REPRESENTATION OR WARRANTY OF ANY KIND TO THE BUYER THAT HE OR SHE IS QUALIFIED TO MAKE ANY REPAIRS TO THE PRODUCT, OR THAT HE OR SHE IS QUALIFIED TO REPLACE ANY PARTS OF THE PRODUCT. IN FACT, THE MANUFACTURER AND/OR DISTRIBUTOR EXPRESSLY STATES THAT ALL REPAIRS AND PARTS REPLACEMENTS SHOULD BE UNDERTAKEN BY CERTIFIED AND LICENSED TECHNICIANS, AND NOT BY THE BUYER. THE BUYER ASSUMES ALL RISK AND LIABILITY ARISING OUT OF HIS OR HER REPAIRS TO THE ORIGINAL PRODUCT OR REPLACEMENT PARTS THERETO, OR ARISING OUT OF HIS OR HER INSTALLATION OF REPLACEMENT PARTS THERETO.

PARTS LIST

Part	Description	Qty
A	Connector A	2
B	Connector B	2
C	Connector C	2
D	Connector D	2
E	Connector E	2
F	Bottom Pole	2
G	Rafter Pole	4
H	Side Pole	4
I	Rafter Bar	4
J	Side Bar	4

Part	Description	Qty
K	Front Panel	1
L	Rear Panel	1
M	Body Panel	1
N	Stake	6
O	Rafter Slat	4
P	Side Slat	4
Q	Bottom Slat	2
R	Screw	32
S	Hex Screw	4
T	Hex Wrench	1

ASSEMBLY DIAGRAM



Record Product's Serial Number Here: _____

Note: If product has no serial number, record month and year of purchase instead.

Note: Some parts are listed and shown for illustration purposes only, and are not available individually as replacement parts.

Free Manuals Download Website

<http://myh66.com>

<http://usermanuals.us>

<http://www.somanuals.com>

<http://www.4manuals.cc>

<http://www.manual-lib.com>

<http://www.404manual.com>

<http://www.luxmanual.com>

<http://aubethermostatmanual.com>

Golf course search by state

<http://golfingnear.com>

Email search by domain

<http://emailbydomain.com>

Auto manuals search

<http://auto.somanuals.com>

TV manuals search

<http://tv.somanuals.com>