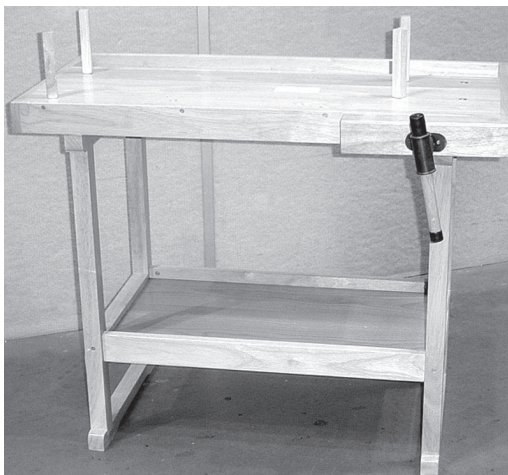


Work Bench

Model 91835

ASSEMBLY AND OPERATING INSTRUCTIONS



3491 Mission Oaks Blvd., Camarillo, CA 93011

Visit our Web site at <http://www.harborfreight.com>

Copyright © 2004 by Harbor Freight Tools®. All rights reserved. No portion of this manual or any artwork contained herein may be reproduced in any shape or form without the express written consent of Harbor Freight Tools.

For technical questions and replacement parts, please call 1-800-444-3353

Specifications

Material:	Hardwood and Medium Density Fiberboard
Top Dimensions:	39-1/2"L x 25"W x 2-1/2"H
Accessories:	Wood Dogs, Vise
Weight Capacity:	250 lbs.

Wood Finish:	Clear Lacquer
Overall Dimensions:	39-1/2"L x 25"W x 31-1/2"H
Net Weight:	52.8 lbs.

Save This Manual

You will need the manual for the safety warnings and precautions, assembly instructions, operating and maintenance procedures, parts list and diagram. Keep your invoice with this manual. Write the invoice number on the inside of the front cover. Keep the manual and invoice in a safe and dry place for future reference.

Safety Warnings and Precautions

WARNING: When using product, basic safety precautions should always be followed to reduce the risk of personal injury and damage to equipment.

Read all instructions before using this product!

1. **Keep work area clean.** Cluttered areas invite injuries.
2. **Observe work area conditions.** Do not use machines or power tools in damp or wet locations. Don't expose to rain. Keep work area well lit. Do not use electrically powered tools in the presence of flammable gases or liquids.
3. **Keep children away.** Children must never be allowed in the work area. Do not let them handle machines, tools, or extension cords.
4. **Store idle equipment.** When not in use, tools must be stored in a dry location to inhibit rust. Always lock up tools and keep out of reach of children.
5. **Use the right workbench for the job.** There are certain applications for which this workbench was designed. It will do the job better and more safely at the rate for which it was intended. Do not modify this workbench and do not use this workbench for a purpose for which it was not intended. Do not stand on, or sit on the Work Bench.

6. **Dress properly when working.** Do not wear loose clothing or jewelry as they can be caught in moving parts. Protective, electrically non-conductive clothes and non-skid footwear are recommended when working. Wear restrictive hair covering to contain long hair.
7. **Use eye and ear protection.** Always wear ANSI approved impact safety goggles. Wear a full face shield if you are producing metal filings or wood chips. Wear an ANSI approved dust mask or respirator when working around metal, wood, and chemical dusts and mists.
8. **Do not overreach.** Keep proper footing and balance at all times. Do not reach over or across running machines.
9. **Maintain tools with care.** Keep tools sharp and clean for better and safer performance. Follow instructions for lubricating and changing accessories. Inspect tool cords periodically and, if damaged, have them repaired by an authorized technician. The handles must be kept clean, dry, and free from oil and grease at all times.
10. **Keep your Work Bench surface clean and orderly.** A messy or dirty work surface invites accidents. Store work pieces and tools properly, and keep this workbench surface clear and clean for each project you work on.
11. **Stay alert.** Watch what you are doing, use common sense. Do not operate any tool when you are tired.
12. **Take caution as some woods contain preservatives such as copper chromium arsenate (CCA) which can be toxic.** When cutting these materials extra care should be taken to avoid inhalation and minimize skin contact.
13. **Check for damaged parts.** Before using any product, any part that appears damaged should be carefully checked to determine that it will operate properly and perform its intended function. Check for alignment; any broken parts or mounting fixtures; and any other condition that may affect proper operation. Any part that is damaged should be properly repaired or replaced by a qualified technician.
14. **Guard against electric shock when using electric tools.** Prevent body contact with grounded surfaces such as pipes, radiators, ranges, and refrigerator enclosures.
15. **Replacement parts and accessories.** When servicing, use only identical replacement parts. Use of any other parts will void the warranty. Only use accessories intended for use with this tool. Approved accessories are available from Harbor Freight Tools.

16. **Do not operate tools if under the influence of alcohol or drugs.** Read warning labels on prescriptions to determine if your judgment or reflexes are impaired while taking drugs. If there is any doubt, do not operate the tool.
17. **Maintenance.** For your safety, service and maintenance should be performed regularly by a qualified technician.
18. When using tools, always read the safety warnings and instructions in the tool's instruction manual before using the tool.

Warning: The warnings, cautions, and instructions discussed in this instruction manual cannot cover all possible conditions and situations that may occur. It must be understood by the operator that common sense and caution are factors which cannot be built into this product, but must be supplied by the operator.

Unpacking

This product requires assembly. When unpacking, check to make sure the following parts are included.

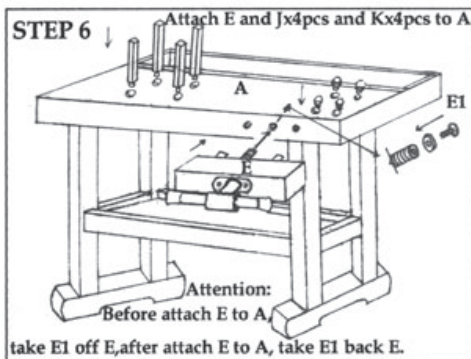
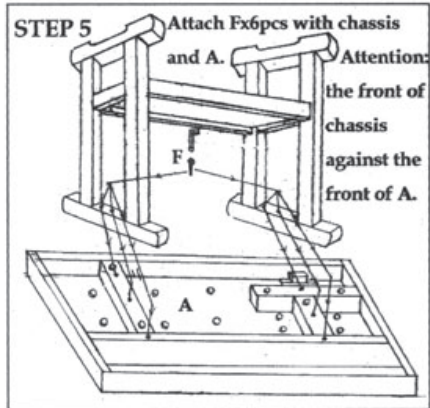
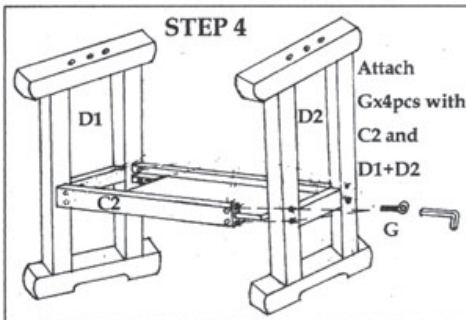
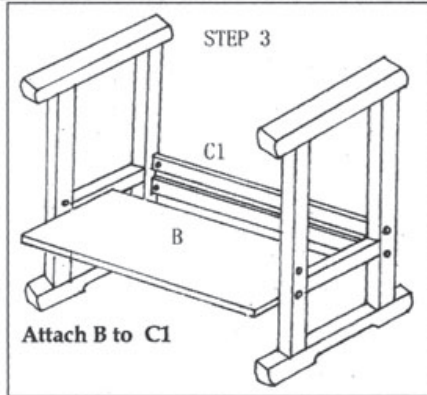
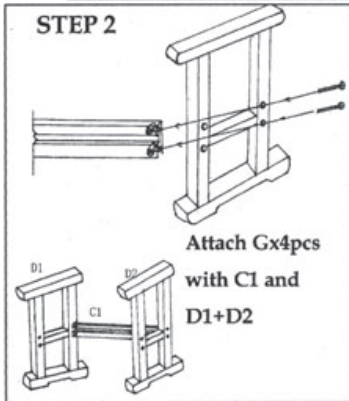
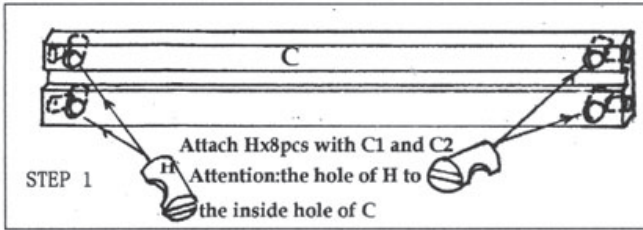
*(1) Top (1) Lower Shelf (2) Cross Braces (2) Leg Assemblies
(1) Vise Assembly (6) 50mm Screws (8) 60mm Bolts (8) Threaded Lugs
(1) Hex Wrench (4) Wood Dogs (4) Small Anvils (1) 10mm Screw and Washer*

If any parts are missing or broken, please call Harbor Freight Tools at the number on the cover of this manual.

Assembly

1. Insert each of the 8 Threaded Lugs (H) onto the holes cross-drilled in the ends of the Cross Braces (C) as shown in Step 1. Use the slots in the end of each Lug to align the threads with the holes drilled into the ends of the Cross Braces.
2. Attach one Cross Brace (C) to the two Leg Assemblies (D) as shown in Step 2. Be sure that the slotted side on the Cross Brace faces the interior of the Leg Assemblies. Secure in place with 4 60mm Bolts (G).
3. Slide the Lower Shelf (B) into position as shown in Step 3.
4. Install the second Cross Brace (C) as shown in Step 4. Be sure the groove on this Cross Brace also faces inward, so that the Lower Shelf (B) is held in place by the grooves in both Cross Braces. Secure the second Cross Brace using 4 60mm Bolts (G) as before. You now have a completed "Chassis".

Assembly Drawing



5. Lay the Top (A) upside down on the floor or other flat surface as shown in Step 5. Invert the completed Chassis, and align the screw holes in the Chassis with those in the Top. Be sure to align the front of the Chassis with the front of the Top. Secure the Chassis to the top using 6 Screws (F).
6. Install the Vise (E) into the holes on the front of the Workbench Top. Install the 10mm Screw (E1) into the end of the Vise Screw as shown in Step 6. This is to prevent the Vise (E) from coming apart when you are using it. Invert the completed Workbench so that it is standing upright on the floor. You may now install the Wood Dogs (J) or Small Anvils (K) as needed.

NOTE: The Wood Dogs and Small Anvils are used as braces or measuring points for various work materials. They are used optionally as needed. When not in use, store them in a convenient place.

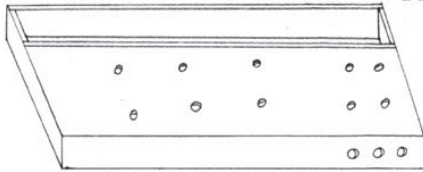
Operation

1. Install your Work Bench in a clean, dry, well lighted work space. Observe work space conditions including ventilation, light, proper electrical service, etc. to be sure that you will be safe working there.
2. Check to be sure your Work Bench is stable on a sturdy, level surface. It should not rock when you push on it. If it does, repair the underlying surface.
3. The Vise is useful for holding objects to be drilled or cut. Open the Vise by turning the handle counterclockwise. Close the Vise by turning the handle clockwise. Do not overtighten or force the handle. Do not hammer or beat on the Vise or materials clamped in it, as this will damage the Vise.
4. The Wood Dogs and Small Anvils are useful for holding materials on the Work Bench surface. These may be inserted or removed from their holes as necessary.

Maintenance

1. Protect your workbench from water or corrosive materials. Medium Density Fiberboard (MDF) is especially prone to damage if exposed to water.
2. When using your workbench, do not drill or cut into the top. Use pieces of scrap material under your workpiece to prevent damage to the work bench.
3. Remember that the weight capacity of this workbench is 250 lbs. Do not overload the work bench. Do not throw or drop heavy objects on the Lower Shelf (B). Its weight capacity is much less than 250 lbs.
4. Wipe grease, oil, or other foreign materials off the work bench promptly whenever spills occur. Keep the workbench surface clean and free of clutter.

PARTS LIST



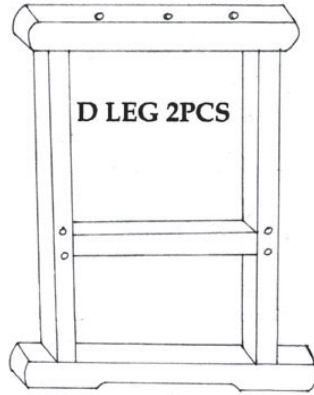
A TOP 1PC



B LOWER SHELF 1PC



C CROSS BRACE 2PCS

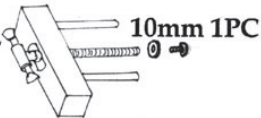


D LEG 2PCS

E1 SCREW

G BOLT 60mm

I HEX WRENCH



E VICE 1PC



8PCS



1PC



4PCS

F SCREW 50mm

H THREADED LUG NUT 8PCS

J WOOD DOG 4PCS

6PCS

4PCS

Parts List

Part #	Description	Qty.
A	Top	1
B	Lower Shelf	1
C	Cross Brace	2
D	Leg Assembly	2
E	Vise	1
E1	10mm Screw and Washer	1 ea.

Part #	Description	Qty.
F	50mm Screw	6
G	60mm Bolt	8
H	Threaded Lug Nut	8
I	Hex Wrench	1
J	Wood Dog	4
K	Small Anvil	4

NOTE: Some parts are listed and shown for illustration purposes only and are not available individually as replacement parts.

PLEASE READ THE FOLLOWING CAREFULLY

THE MANUFACTURER AND/OR DISTRIBUTOR HAS PROVIDED THE PARTS DIAGRAM IN THIS MANUAL AS A REFERENCE TOOL ONLY. NEITHER THE MANUFACTURER NOR DISTRIBUTOR MAKES ANY REPRESENTATION OR WARRANTY OF ANY KIND TO THE BUYER THAT HE OR SHE IS QUALIFIED TO MAKE ANY REPAIRS TO THE PRODUCT OR THAT HE OR SHE IS QUALIFIED TO REPLACE ANY PARTS OF THE PRODUCT. IN FACT, THE MANUFACTURER AND/OR DISTRIBUTOR EXPRESSLY STATES THAT ALL REPAIRS AND PARTS REPLACEMENTS SHOULD BE UNDERTAKEN BY CERTIFIED AND LICENSED TECHNICIANS AND NOT BY THE BUYER. THE BUYER ASSUMES ALL RISK AND LIABILITY ARISING OUT OF HIS OR HER REPAIRS TO THE ORIGINAL PRODUCT OR REPLACEMENT PARTS THERETO, OR ARISING OUT OF HIS OR HER INSTALLATION OF REPLACEMENT PARTS THERETO.

Free Manuals Download Website

<http://myh66.com>

<http://usermanuals.us>

<http://www.somanuals.com>

<http://www.4manuals.cc>

<http://www.manual-lib.com>

<http://www.404manual.com>

<http://www.luxmanual.com>

<http://aubethermostatmanual.com>

Golf course search by state

<http://golfingnear.com>

Email search by domain

<http://emailbydomain.com>

Auto manuals search

<http://auto.somanuals.com>

TV manuals search

<http://tv.somanuals.com>