

CENTRAL PNEUMATIC®

3/8" Butterfly Air Impact Wrench

Model 37730

ASSEMBLY AND OPERATING INSTRUCTIONS



3491 Mission Oaks Blvd., Camarillo, CA 93011

Visit our Web site at <http://www.harborfreight.com>

Copyright © 2004 by Harbor Freight Tools®. All rights reserved. No portion of this manual or any artwork contained herein may be reproduced in any shape or form without the express written consent of Harbor Freight Tools.

For technical questions and replacement parts, please call 1-800-444-3353

Specifications

Construction:	Polished Aluminum and Machined Cast Steel	Max. Air Pressure:	90 psi
Operating Speed:	10,000 max rpm @ 90 psi	Operation Speed:	1600 Impacts per Minute
Torque:	75 ft/lbs. @ 90 psi	Drive Size:	3/8"
Air Inlet Size:	1/4" npt	Net Weight:	2.0 lbs.
Average Air Consumption:	4 CFM		

This compact Impact Wrench allows you to get at fasteners in much tighter spots than conventional "pistol" designed air impact wrenches. It delivers a powerful 50ft/ lbs of torque at 90 PSI, at up to 1580 impacts per minute. It uses standard 1/4" npt air connections, and a convenient 3/8" drive. The Butterfly switch on top of the tool allows you to quickly and easily change impact direction. The built in regulator allows you to instantly change air pressure and torque among 8 settings. Sturdily built with a polished aluminum body and machined steel components, it is a versatile tool you will be proud to have in your tool box.

Save This Manual

You will need the manual for the safety warnings and precautions, assembly instructions, operating and maintenance procedures, parts list and diagram. Keep your invoice with this manual. Write the invoice number on the inside of the front cover. Keep the manual and invoice in a safe and dry place for future reference.

Safety Warnings and Precautions

WARNING: When using tool, basic safety precautions should always be followed to reduce the risk of personal injury and damage to equipment.

Read all instructions before using this tool!

1. **Keep work area clean.** Cluttered areas invite injuries.
2. **Observe work area conditions.** Do not use machines or power tools in damp or wet locations. Don't expose to rain. Keep work area well lit. Do not use electrically powered tools in the presence of flammable gases or liquids.
3. **Keep children away.** Children must never be allowed in the work area. Do not let them handle machines, tools, or extension cords.
4. **Store idle equipment.** When not in use, tools must be stored in a dry location to inhibit rust. Always lock up tools and keep out of reach of children.

5. **Use the right tool for the job.** Do not attempt to force a small tool or attachment to do the work of a larger industrial tool. There are certain applications for which this tool was designed. It will do the job better and more safely at the rate for which it was intended. Do not modify this tool and do not use this tool for a purpose for which it was not intended.
6. **Dress properly while working.** Do not wear loose clothing or jewelry as they can be caught in moving parts. Protective, electrically non-conductive clothes and non-skid footwear are recommended when working. Wear restrictive hair covering to contain long hair.
7. **Use eye, face and ear protection.** Always wear ANSI approved impact safety goggles. Wear a full face shield if you are producing metal filings or wood chips. Wear an ANSI approved dust mask or respirator when working around metal, wood, and chemical dusts and mists. Wear ANSI approved ear plugs.
8. **Do not overreach.** Keep proper footing and balance at all times. Do not reach over or across running machines.
9. **Maintain tools with care.** Keep tools clean and in good condition for better and safer performance. Follow instructions for lubricating and changing accessories. Inspect tool fittings and hoses periodically and, if damaged, have them repaired by an authorized technician. The handles must be kept clean, dry, and free from oil and grease at all times.
10. **Disconnect power.** Disconnect from air pressure source when not in use.
11. **Remove adjusting keys and wrenches.** Check that keys and adjusting wrenches are removed from the tool or machine work surface before connecting it.
12. **Avoid unintentional starting.** Be sure the Butterfly Throttle Switch is in the neutral, OFF position when not in use and before attaching to pressure source. Do not carry any tool with your finger on the Butterfly Throttle Switch, whether it is attached or not.
13. **Stay alert.** Watch what you are doing, use common sense. Do not operate any tool when you are tired.
14. **Check for damaged parts.** Before using any tool, any part that appears damaged should be carefully checked to determine that it will operate properly and perform its intended function. Check for alignment and binding of moving parts; any broken parts or mounting fixtures; and any other condition that may affect proper operation. Any part that is damaged should be properly repaired or replaced by a qualified technician. Do not use the tool if the Butterfly Throttle Switch does not function properly.

15. **Guard against electric shock when working on electrical equipment, such as your air compressor.** Prevent body contact with grounded surfaces such as pipes, radiators, ranges, and refrigerator enclosures.
16. **Replacement parts and accessories.** When servicing, use only identical replacement parts. Use of any other parts will void the warranty. Only use accessories intended for use with this tool. Approved accessories are available from Harbor Freight Tools.
17. **Do not operate tool if under the influence of alcohol or drugs.** Read warning labels on prescriptions to determine if your judgment or reflexes are impaired while taking drugs. If there is any doubt, do not operate the tool.
18. **Use proper size and type air pressure line and fittings.** The recommended air line for this tool is 3/8" delivering no more than 90 psi. Recommended air inlet size is 1/4" - 18 npt.
19. **Maintenance.** For your safety, service and maintenance should be performed regularly by a qualified technician.
20. **You should maintain a proper regulator and moisture trap in your air line at all times.**

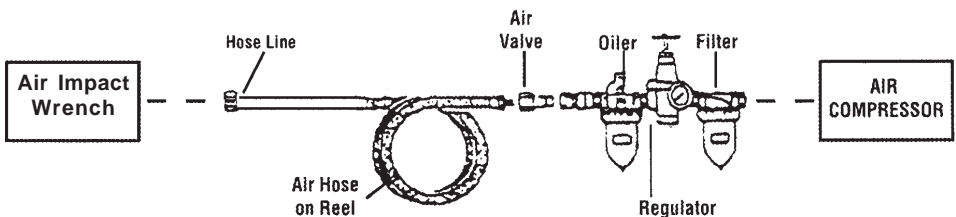
Note: Performance of this tool may vary depending on variations in local air pressure.

Warning: The warnings, cautions, and instructions discussed in this instruction manual cannot cover all possible conditions and situations that may occur. It must be understood by the operator that common sense and caution are factors which cannot be built into this product, but must be supplied by the operator.

WARNING: The brass components of this product contain lead, a chemical known to the State of California to cause birth defects (or other reproductive harm). (California Health & Safety code 25249.5, *et seq.*)

Unpacking

When unpacking, Examine the condition of your impact wrench. If any parts are missing or broken, please call Harbor Freight Tools at the number on the cover of this manual.



Recommended Air Line Components

Operation

1. Install a standard 1/4" Air Connector (not included) to the Air Inlet (36). First wrap the threaded portion of the 1/4" air connector with pipe thread seal tape before threading it into the Air Inlet (36). Tighten securely.
2. Attach a standard quick connector (not included) to your 3/8" air pressure source hose. Then attach the air hose to the Air Impact Wrench.

NOTE: If you are not using an automatic in-line oiler, add a few drops of pneumatic oil to the Air Inlet (36) before attaching the air hose. Add a few more drops of oil after every hour of continual use.

3. Set the air pressure regulator on your air compressor at 90 psi.

WARNING: Do not exceed the recommended pressure of 90 psi. Damage to your tool, and possible personal injury and/or property damage may result.

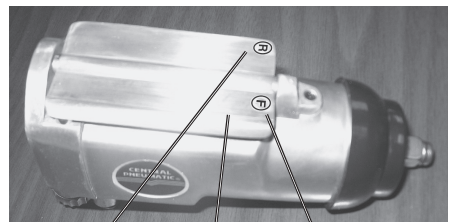
4. Check the air line and its connections for air leaks. Make note of these, and repair them before using this tool.

NOTE: Turn off your air compressor and disconnect the air pressure hose before changing sockets or making any adjustments to this tool. Severe injury or property damage may otherwise result.

WARNING: This tool generates considerable torque when in use. Always hold the tool with both hands when using, and brace yourself to resist the torque which will be delivered to the work piece.

5. Select the appropriate size 3/8" square drive impact socket (not included) for your needs. Push and snap the socket onto the Anvil (9).

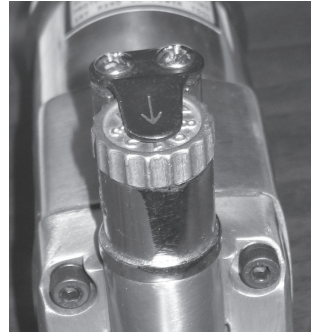
6. Set the direction of the Air Impact Wrench to "FORWARD" or "REVERSE". Please see photo. By moving the Throttle Lever "Butterfly" (5) to the right, you are setting the tool to operate FORWARD. You may control the amount of torque to be applied by rotating the Regulator (38) (See photo next page). There are settings from 1 through 8, indicating increasing torque. Rock the Throttle Lever "Butterfly" (5) to the left to REVERSE the direction of the tool.



REVERSE FORWARD
Throttle Lever "Butterfly" (5)

NOTE: In this booklet, "FORWARD" refers to clockwise rotation, and "REVERSE" refers to counterclockwise rotation of the Anvil (9). Always be aware of the direction of the threading of the fastener you are working on. While most fasteners install with clockwise rotation, some threads are intentionally the reverse.

NOTE: The actual torque delivered at each of the eight settings will depend on the air pressure supplied to the tool. We suggest that you test the actual torque by tightening a nut or bolt at each setting, then observing the resultant torque by using a mechanical torque wrench (not supplied).



Regulator (38)

7. If installing a nut or bolt, set it as tight as possible by hand before tightening with the Air Impact Wrench.
8. Place the socket (not included) over the fastener.
9. Grip the Air Impact Wrench tightly with both hands, and rock the Throttle Lever “Butterfly” (5) to the right. The tool will operate and tighten the fastener.
10. When the fastener is tightened, release the Throttle Lever “Butterfly” (5) , and remove the tool from the fastener.
11. If possible, check the actual torque applied to the fastener with a mechanical torque wrench (not supplied).
12. If removing a fastener, grip the Air Impact Wrench tightly with both hands, and rock the Throttle Lever “Butterfly” (5) to the left. The tool will operate and loosen the fastener (assuming that the fastener is a standard right-hand thread). **NOTE:** Always check to be sure of the thread direction of any fastener before attempting to install or remove it. If the fastener is a left-hand thread, rock the Throttle Lever “Butterfly” (5) to the right for removal.

WARNING: If the fastener will not come off, first check to be sure of the direction of the thread. If you have the thread direction correct and the fastener will not come off, **DO NOT INCREASE THE AIR PRESSURE to the tool beyond 90 psi. This may damage the tool. You may have to use penetrating oil, heat, or a mechanical wrench to remove the fastener.**

13. When you are done using this tool, turn off the air compressor, and disconnect the air hose. Put the Air Impact Wrench away in its proper storage place.

Maintenance

1. Your Air Impact Wrench should be kept clean and dry.
2. When not in use, store your tool in a suitable place where it will not be exposed to water, corrosive materials, or undue banging around.
3. If you are not using an in-line oiler, you should inject a few drops of pneumatic oil into the air inlet of the tool and the Oiler Screw (3) port after every hour of continuous use.
4. If your tool loses power, or you notice air leaks, take it to a certified technician for service.
5. All repairs to this tool should be performed by a qualified service technician.

Parts List

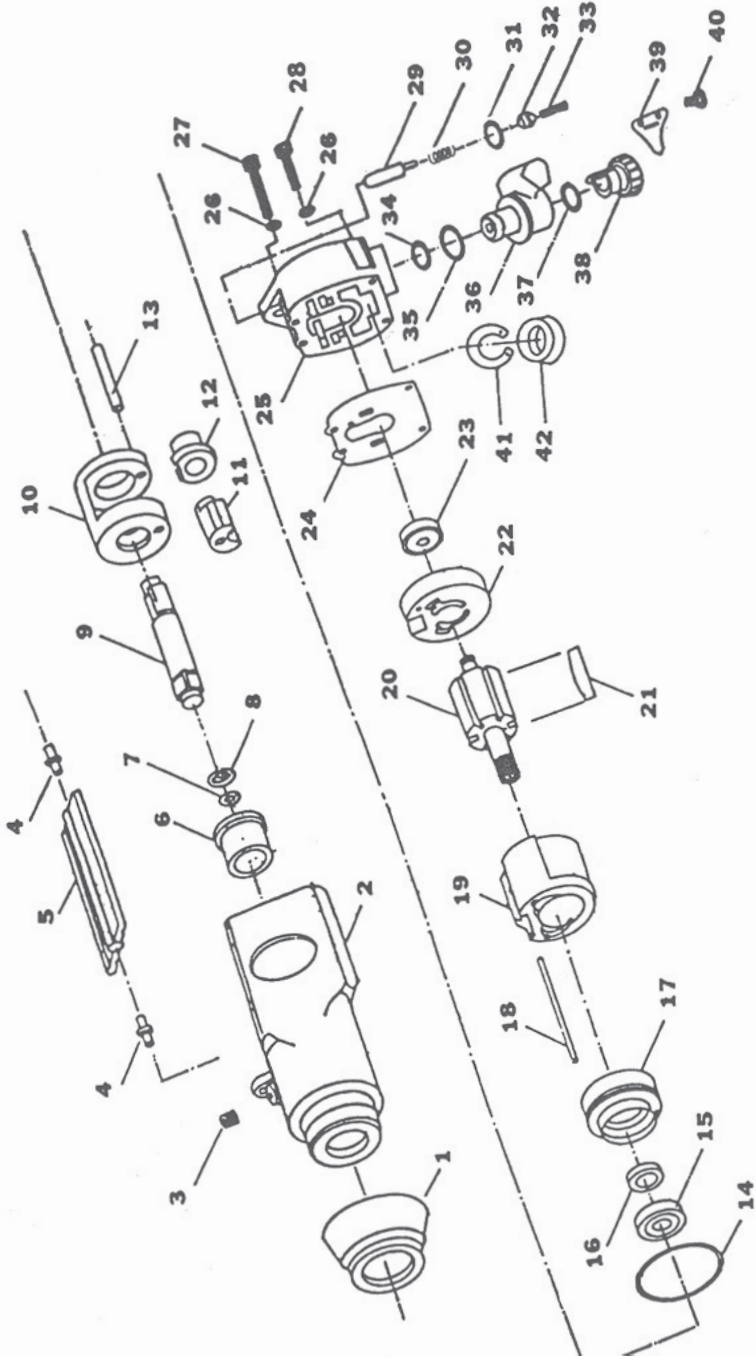
Item #	Description	Qty.	Item #	Description	Qty.
1	Rubber Nose Guard	1	22	Rear End Plate	1
2	Motor Housing	1	23	Ball Bearing	1
3	Oiler Screw	1	24	Back Cap Gasket	1
4	Throttle Pin	2	25	Back Cap	1
5	Throttle Lever	1	26	Lock Washer	4
6	Anvil Bushing	1	27	Cap Screw - Long	2
7	O-Ring	1	28	Cap Screw - Short	2
8	Socket Retaining Ring	1	29	Plunger	2
9	Anvil	1	30	Spring	2
10	Hammer Cage	1	31	O Ring	2
11	Hammer	1	32	Valve Seat	2
12	Cam	1	33	Valve Spring	2
13	Hammer Pin	1	34	O Ring	1
14	O-Ring	0	35	O Ring	1
15	Ball Bearing	1	36	Air Inlet	1
16	Oil Seal	0	37	O Ring	1
17	Front End Plate	1	38	Regulator	1
18	Motor Pin	1	39	Retainer Plate	1
19	Cylinder	1	40	Screw	2
20	Rotor	1	41	Retaining Ring	1
21	Rotor Blade	6	42	Fixing Ring	1

NOTE: Some parts are listed and shown for illustration purposes only and are not available individually as replacement parts.

PLEASE READ THE FOLLOWING CAREFULLY

THE MANUFACTURER AND/OR DISTRIBUTOR HAS PROVIDED THE PARTS DIAGRAM IN THIS MANUAL AS A REFERENCE TOOL ONLY. NEITHER THE MANUFACTURER NOR DISTRIBUTOR MAKES ANY REPRESENTATION OR WARRANTY OF ANY KIND TO THE BUYER THAT HE OR SHE IS QUALIFIED TO MAKE ANY REPAIRS TO THE PRODUCT OR THAT HE OR SHE IS QUALIFIED TO REPLACE ANY PARTS OF THE PRODUCT. IN FACT, THE MANUFACTURER AND/OR DISTRIBUTOR EXPRESSLY STATES THAT ALL REPAIRS AND PARTS REPLACEMENTS SHOULD BE UNDERTAKEN BY CERTIFIED AND LICENSED TECHNICIANS AND NOT BY THE BUYER. THE BUYER ASSUMES ALL RISK AND LIABILITY ARISING OUT OF HIS OR HER REPAIRS TO THE ORIGINAL PRODUCT OR REPLACEMENT PARTS THERETO, OR ARISING OUT OF HIS OR HER INSTALLATION OF REPLACEMENT PARTS THERETO.

Assembly Drawing



Free Manuals Download Website

<http://myh66.com>

<http://usermanuals.us>

<http://www.somanuals.com>

<http://www.4manuals.cc>

<http://www.manual-lib.com>

<http://www.404manual.com>

<http://www.luxmanual.com>

<http://aubethermostatmanual.com>

Golf course search by state

<http://golfingnear.com>

Email search by domain

<http://emailbydomain.com>

Auto manuals search

<http://auto.somanuals.com>

TV manuals search

<http://tv.somanuals.com>