



18 VDC - IMPACT DRIVER

Model 94371

ASSEMBLY AND OPERATING INSTRUCTIONS



Due to continuing improvements, actual product may differ slightly from the product described herein.



3491 Mission Oaks Blvd., Camarillo, CA 93011

Visit our Web site at <http://www.harborfreight.com>

Copyright © 2006 by Harbor Freight Tools®. All rights reserved. No portion of this manual or any artwork contained herein may be reproduced in any shape or form without the express written consent of Harbor Freight Tools.

For technical questions and replacement parts, please call 1-800-444-3353

Specifications

Item	Description
Battery	18 VDC, 1.3 AH, Ni-Cd type
Torque	1044 IN.LBS (maximum)
Speed	1700 BPM; 0-1600 RPM
Switch	Toggle, Forward / Reverse
Drive Size	¼ inch
Weight	4.15 lbs.

Save This Manual

You will need the manual for the safety warnings and precautions, assembly instructions, operating and maintenance procedures, parts list and diagram. Keep your invoice with this manual. Write the invoice number on the inside of the front cover. Keep the manual and invoice in a safe and dry place for future reference.

Safety Warnings and Precautions

WARNING: When using tool, basic safety precautions should always be followed to reduce the risk of personal injury and damage to equipment.

Read all instructions before using this tool!

1. **Keep work area clean.** Cluttered areas invite injuries.
2. **Observe work area conditions.** Do not use machines or power tools in damp or wet locations. Don't expose to rain. Keep work area well lighted. Do not use electrically powered tools in the presence of flammable gases or liquids.
3. **Keep children away.** Children must never be allowed in the work area. Do not let them handle machines, tools, or extension cords.
4. **Store idle equipment.** When not in use, tools must be stored in a dry location to inhibit rust. Always lock up tools and keep out of reach of children.
5. **Use the right tool for the job.** Do not attempt to force a small tool or attachment to do the work of a larger industrial tool. There are certain applications for which this tool was designed. It will do the job better and more safely at the rate for which it was intended. Do not modify this tool and do not use this tool for a purpose for which it was not intended.
6. **Dress properly.** Do not wear loose clothing or jewelry as they can be caught in moving parts. Protective, electrically non-conductive clothes and non-skid footwear are recommended when working. Wear restrictive hair covering to contain long hair.

7. **Use eye and ear protection.** Always wear ANSI approved impact safety goggles and ear plugs when using the Impact Driver.
8. **Do not overreach.** Keep proper footing and balance at all times. Do not reach over or across running machines.
9. **Maintain tools with care.** Keep tools sharp and clean for better and safer performance. Follow instructions for lubricating and changing accessories. The handles must be kept clean, dry, and free from oil and grease at all times.
10. **Remove adjusting keys and wrenches.** Check that keys and adjusting wrenches are removed from the tool or machine work surface before use.
11. **Avoid unintentional starting.** Be sure the switch is in the Off position when not in use. Do not carry any tool with your finger on the trigger.
12. **Stay alert.** Watch what you are doing, use common sense. Do not operate any tool when you are tired.
13. **Check for damaged parts.** Before using any tool, any part that appears damaged should be carefully checked to determine that it will operate properly and perform its intended function. Check for alignment and binding of moving parts; any broken parts or mounting fixtures; and any other condition that may affect proper operation. Any part that is damaged should be properly repaired or replaced by a qualified technician. Do not use the tool if any switch does not turn On and Off properly.
14. **Replacement parts and accessories.** When servicing, use only identical replacement parts. Use of any other parts will void the warranty. Only use accessories intended for use with this tool. Approved accessories are available from Harbor Freight Tools.
15. **Do not operate tool if under the influence of alcohol or drugs.** Read warning labels if taking prescription medicine to determine if your judgment or reflexes are impaired while taking drugs. If there is any doubt, do not operate the tool.
16. **Maintenance.** For your safety, service and maintenance should be performed regularly by a qualified technician.
17. **WARNING!** People with pacemakers should consult their physician(s) before using this product. Electromagnetic fields in close proximity to a heart pacemaker could cause interference to, or failure of, the pacemaker.
18. **Use tools with both hands when required.** Many tools such as chain saws, drills, routers, etc., require the use of both hands when operating. This helps maintain tool stability and keeps hands away from the working area of the tool.

Note: Performance of this tool may vary depending on variations in tool battery power.

Battery Precautions

1. Read all instructions and warnings on the battery before charging the battery.
2. To avoid accidents, charge the supplied battery only. Do not use a different charger with this battery.
3. Do not expose the battery to rain or wet conditions.
4. To avoid damage of cable and plug, never pull the cable to disconnect the charger.
5. Do not use the charger if the cable or plug are damaged.
6. Repairs should be carried out by a qualified technician.
7. Do not touch the battery poles with any conductive source.
8. Do not store the battery in a box with other metal objects.
9. Do not throw the battery in a fire or in the general trash. Contact your local hazardous waste disposal authority for proper disposal.
10. Do not drain the battery completely before recharging. Recharge fully.
11. Always switch to a fresh battery when tool performance begins to diminish. Severe heat is most destructive to a battery; the more heat generated, the faster the battery loses power. A battery that gets too hot can be permanently damaged. Never over-discharge a battery by using the tool even after tool performance is decreasing. Never attempt to discharge a tool's battery by continuing to pull the tool trigger. When tool performance begins to diminish, stop the tool, recharge the battery and use the fresh battery for optimal performance.
12. Recharge the battery monthly even if not used.
13. Always remove the battery from the Impact Driver before performing inspection, maintenance, cleaning procedures, or storage.
14. Caution: Never charge Battery for more than 5 hours continuously. Charger Adapter should not be left plugged in or charging for more than 5 hours.

Warning: The warnings, cautions, and instructions discussed in this instruction manual cannot cover all possible conditions and situations that may occur. It must be understood by the operator that common sense and caution are factors which cannot be built into this product, but must be supplied by the operator.

Unpacking

When unpacking, check to make sure the following parts are included:

Impact Driver, Battery, Charger Base, and Charger Adapter.

If any parts are missing or broken, please call Harbor Freight Tools at the number on the cover of this manual.

Operation

CHARGING BATTERY

The Battery (30) does not come charged from the factory. Charge before using. Refer to photos on the next page.

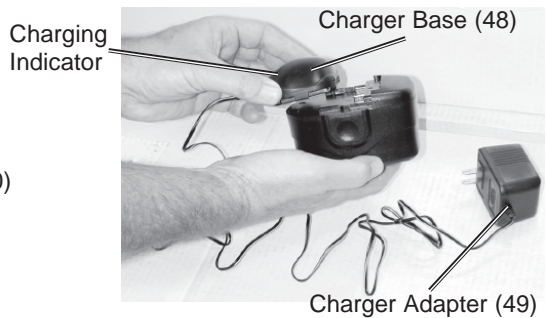
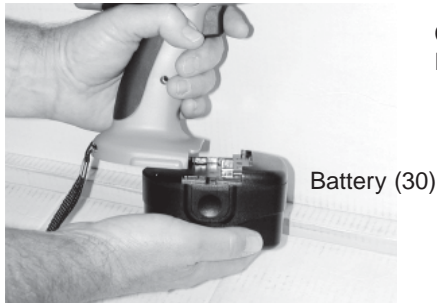
1. Push the two side buttons in on the Battery, then slide the Battery off the Impact Driver handle.
2. Slide the Battery into the Charger Base (48). The battery can only insert one way using the guide tabs.
3. Plug the Charger Adapter (49) output cord into the Charger Base connector.
4. Plug the Charger Adapter line cord into an electrical outlet.

Verify on the Charger Base that the red charging indicator light come on. If it does not come on, check the power connection or try a different wall outlet. Charge the new Battery for 5 hours. Subsequent charges will take 4 to 5 hours.

5. Unplug the Charger Base from the electrical outlet when the Battery is fully charged. The Charging Indicator will flash red.

Note: The operation time of a new battery will ramp up as it is properly used (drained) and recharged. It will take about 5 recharging cycles before the Battery is at maximum efficiency.

Caution: If two or more batteries are to be charged, avoid damaging the Charger by allowing it to cool down between charges. Wait for the Battery to cool down before placing in the Impact Driver.



INSERTING BATTERY

Caution: Before inserting the Battery into the tool, be certain that the Trigger Switch (21) is in the Off position.

1. Push the Forward/Reverse Button (31) to the center position to lock the Switch in the Off position.
2. Insert Battery into the receptacle at the handle-bottom of the Impact Driver.
3. Secure the Lock-spring Clasps to each side of the handle.

SCREWDRIVER

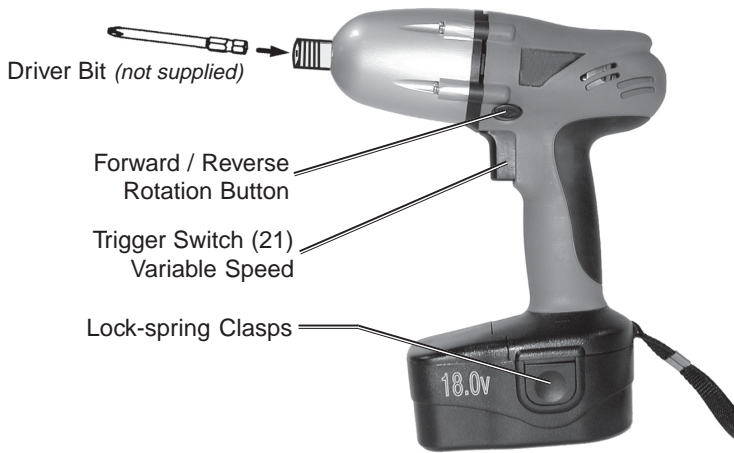
1. Insert a hex screwdriver bit (not provided) into the Chuck. See photos on the next page.
2. Press the Forward / Reverse Switch (31) to desired position.

Forward position: fasten (clockwise rotation). *Reverse position:* removing fasteners or freeing screws (counterclockwise rotation). *Center position:* locked.

3. Press (and hold) the Variable Speed Switch to turn on.

This Switch varies the speed depending on how far in it is pressed.

Avoid overloading the Impact Driver. Do not apply excessive pressure or speed while driving screws. If the drill speed drops abnormally, decrease pressure immediately. If the bit stops abruptly, or the bit becomes stuck, release Switch at once.



Troubleshooting

Symptom	Possible Cause	Remedy
Trigger Switch locked in place.	Forward / Reverse button in center position.	Move button to the left or right for forward or reverse operation.
Impact Wrench operates slowly or without force.	Battery weak.	Recharge Battery completely.
Impact Wrench does not turn on.	Battery completely discharged.	Recharge Battery completely.
Battery will not hold charge.	Battery dead.	Replace with new Battery.

Maintenance

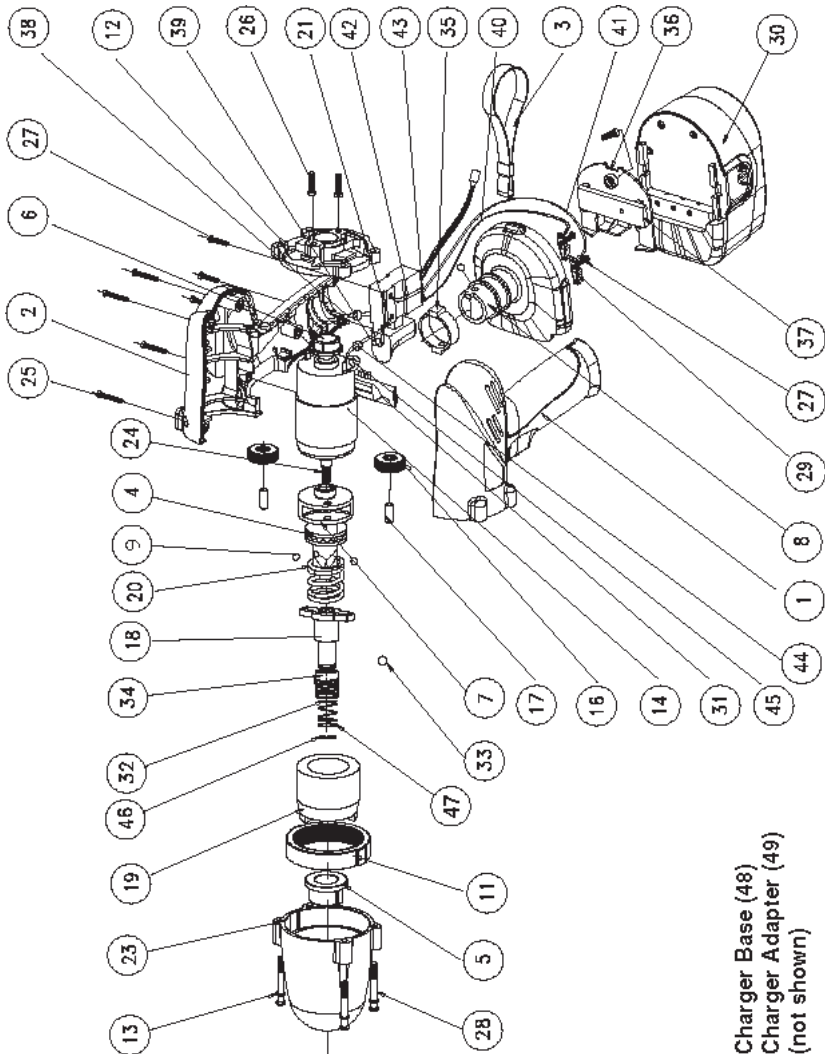
1. Keep tools clean by wiping with a damp cloth.
2. Store tools in carrying case when not using; avoid storing in high temperature areas.
3. When the battery becomes weak, and the tool loses power, keep the tool turned On until the battery is completely drained before recharging. This will ensure a full recharge.
4. Recharge battery monthly when not in use to maintain battery life. When the battery is spent it will need to be properly disposed of. Harbor Freight Tools offers a no-cost battery recycling program; for details, call 1-800-444-3353.
5. Using a rag and light oil, wipe bits and other steel parts to keep them from rusting.

Parts List

Part No.	Description	Qty	Part No.	Description	Qty
1	Left Housing	1	40	Wire (Red) "+"	1
2	Right Housing	1	41	Wire (Black) "-"	1
3	Strap	1	42	Wire (Yellow)	1
4	Axle Bearing	1	43	Wire (Blue)	1
5	Bushing - 1	1	44	Magnet - Ring	2
6	Bushing - 2	1	45	Capacitor	2
7	Center Shaft	1	46	Washer	1
8	Battery Housing	1	47	Bushing	1
9	Steel Ball	3	48	Charger Base	1
11	Inner Gear	1	49	Charger Adapter	1
12	Motor Housing	1			
13	Washer M4	4			
14	Motor	1			
16	Planet Gear	2			
17	Planet Shaft	2			
18	Shaft	1			
19	Block	1			
20	Spring	1			
21	Switch	1			
23	Top Case	1			
24	Motor Gear	1			
25	Bolt M3 15	5			
26	Bolt M4 15	2			
27	Bolt M3 10	5			
28	Bolt M4 35	4			
29	Terminal	2			
30	Battery	1			
31	Button, Forward/Reverse	1			
32	Spring	1			
33	Steel Ball	1			
34	Chuck	1			
35	Rotation Shaft	1			
36	Bottom Plate	1			
37	Radiator	1			
38	Wire (Red) "+"	1			
39	Wire (Black) "-"	1			

NOTE: Some parts are listed and shown for illustration purposes only and are not available individually as replacement parts.

Assembly Drawing



Charger Base (48)
Charger Adapter (49)
(not shown)

PLEASE READ THE FOLLOWING CAREFULLY

THE MANUFACTURER AND/OR DISTRIBUTOR HAS PROVIDED THE PARTS DIAGRAM IN THIS MANUAL AS A REFERENCE TOOL ONLY. NEITHER THE MANUFACTURER NOR DISTRIBUTOR MAKES ANY REPRESENTATION OR WARRANTY OF ANY KIND TO THE BUYER THAT HE OR SHE IS QUALIFIED TO MAKE ANY REPAIRS TO THE PRODUCT OR THAT HE OR SHE IS QUALIFIED TO REPLACE ANY PARTS OF THE PRODUCT. IN FACT, THE MANUFACTURER AND/OR DISTRIBUTOR EXPRESSLY STATES THAT ALL REPAIRS AND PARTS REPLACEMENTS SHOULD BE UNDERTAKEN BY CERTIFIED AND LICENSED TECHNICIANS AND NOT BY THE BUYER. THE BUYER ASSUMES ALL RISK AND LIABILITY ARISING OUT OF HIS OR HER REPAIRS TO THE ORIGINAL PRODUCT OR REPLACEMENT PARTS THERETO, OR ARISING OUT OF HIS OR HER INSTALLATION OF REPLACEMENT PARTS THERETO.

Free Manuals Download Website

<http://myh66.com>

<http://usermanuals.us>

<http://www.somanuals.com>

<http://www.4manuals.cc>

<http://www.manual-lib.com>

<http://www.404manual.com>

<http://www.luxmanual.com>

<http://aubethermostatmanual.com>

Golf course search by state

<http://golfingnear.com>

Email search by domain

<http://emailbydomain.com>

Auto manuals search

<http://auto.somanuals.com>

TV manuals search

<http://tv.somanuals.com>