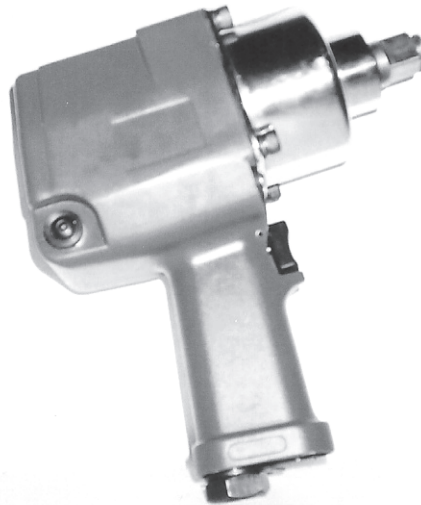


**CENTRAL PNEUMATIC®**  
**Professional**

**HEAVY DUTY TWIN HAMMER  
3/4" IMPACT WRENCH**

**Model 95141**

**ASSEMBLY AND OPERATING INSTRUCTIONS**



Due to continuing improvements, actual product may differ slightly from the product described herein.



3491 Mission Oaks Blvd., Camarillo, CA 93011  
Visit our Web site at: <http://www.harborfreight.com>

**TO PREVENT SERIOUS INJURY,  
READ AND UNDERSTAND ALL WARNINGS  
AND INSTRUCTIONS BEFORE USE.**

Copyright© 2006 by Harbor Freight Tools®. All rights reserved. No portion of this manual or any artwork contained herein may be reproduced in any shape or form without the express written consent of Harbor Freight Tools.

**For technical questions, please call 1-800-444-3353.**

## PRODUCT SPECIFICATIONS

Item	Description
Drive Size	3/4" Square Drive
Impact Mechanism	Twin Hammer
Maximum RPM	4300
Anvil Retainer Type	Hog Ring
Maximum Torque	1300 Ft./Lb.
Blows Per Minute	960
Air Inlet Size	3/8"-18 NPT
Recommended Hose Size	1/2" Inside Diameter (Not Included)
Air Consumption	9.3 SCFM @ 90 PSI
Overall Dimensions	12.2" Long x 11/4" Wide x 4.7" High
Net Weight	12.5 Lb.


## SAVE THIS MANUAL

You will need this manual for the safety warnings and precautions, assembly, operating, inspection, maintenance and cleaning procedures, parts list and assembly diagram. Keep your invoice with this manual. Write the invoice number on the inside of the front cover. Keep this manual and invoice in a safe and dry place for future reference.

## UNPACKING


When unpacking, check to make sure that all the parts and accessories **listed on page 8** are included, and the product is intact and undamaged. If any parts are missing or broken, please call Harbor Freight Tools at the number shown on the cover of this manual as soon as possible.

## SAFETY WARNINGS AND PRECAUTIONS

-  **WARNING! Use eye and hearing protection.** Always wear ANSI approved safety impact goggles when using this Impact Wrench. Also, wear ANSI approved hearing protection. Other people in the work area must also wear appropriate ANSI approved safety equipment.
- Keep work area clean.** Cluttered areas invite accidents.
- Stay within air pressure capacity.** Never operate the Impact Wrench above **90 PSI**.
- Observe work area conditions.** Keep work area well lit. Do not use pneumatic

tools in the presence of flammable gases or liquids.

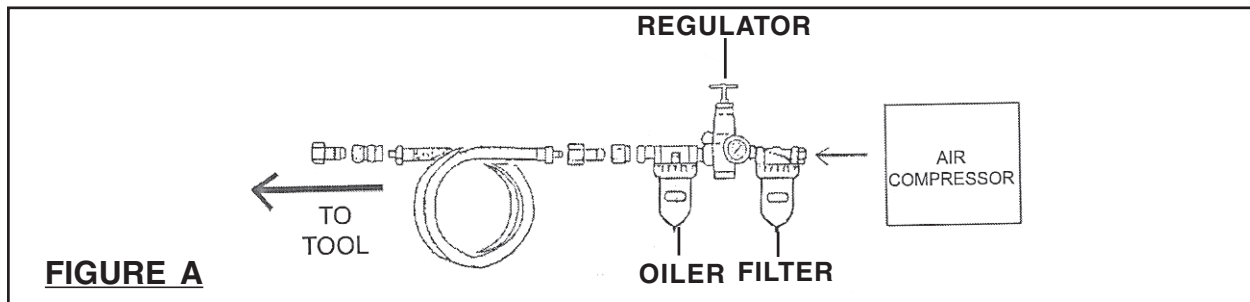
5. **Keep children away.** Children must never be allowed in the work area. Do not let them handle machines, tools, extension cords, or air hoses.
6. **Store idle equipment.** When not in use, tools must be stored in a dry location to inhibit rust. Always lock up tools and keep out of reach of children.
7. **Use the right tool for the job.** Do not attempt to force a small tool or attachment to do the work of a larger industrial tool. There are certain applications for which this tool was designed. It will do the job better and more safely at the rate for which it was intended. Do not modify this tool, and do not use this tool for a purpose for which it was not intended.
8. **Dress properly.** Do not wear loose clothing or jewelry as they can be caught in moving parts. Protective, electrically non-conductive clothes and non-skid footwear are recommended when working. Wear restrictive hair covering to contain long hair.
9. **Do not overreach.** Keep proper footing and balance at all times. Do not reach over or across running tools or air hoses.
10. **Disconnect air hose and release any built-up air pressure.** Never service the Impact Wrench or disassemble with the air hose attached. Always release any built-up air even after disconnecting hose. Disconnect the Impact Wrench when not in use.
11. **Avoid unintentional starting.** Be sure the Trigger (27) is in the **OFF** position when not in use and before plugging in. Do not carry any tool with your finger on the Trigger, whether it is attached to an air source or not.
12. **Stay alert.** Watch what you are doing. Use common sense. Do not operate any tool when you are tired or distracted.
13. **Check for damaged parts.** Before using any tool, any part that appears damaged should be carefully checked to determine that it will operate properly and perform its intended function. Check for alignment and binding of moving parts, any broken parts, and any other condition that may affect proper operation. Any part that is damaged should be properly repaired or replaced by a qualified technician. Do not use the tool if the Trigger does not operate properly.
14. **Replacement parts and accessories.** This product is to be repaired and serviced only by a qualified technician. When this product is serviced, only identical replacement parts should be used. Use of any other parts will void the warranty. Only use accessories intended for use with this tool. Approved accessories are available from Harbor Freight Tools.

15. **Do not operate tool if under the influence of alcohol or drugs.** Read warning labels if taking prescription medicine to determine if your judgement or reflexes are impaired while taking drugs. If there is any doubt, do not operate the tool.
16. **Maintenance.** The maintenance outlined in the “Maintenance” section of this manual should be performed regularly. For your safety, this product should be serviced or repaired regularly only by a qualified technician.
17. **Compressed air only.** Use clean, dry, regulated, compressed air at 90 PSI. Never use oxygen, carbon dioxide, combustible gases, or any other bottled gas as a power source for this tool.
18. **Always grip the Impact Wrench firmly with both hands when operating the tool.**
19. **Industrial applications must follow OSHA requirements.**
20. **Maintain labels and nameplates on the Impact Wrench.** These carry important information. If unreadable or missing, contact Harbor Freight Tools for a replacement.
21.  **WARNING!** The warnings, cautions, and instructions discussed in this instruction manual cannot cover all possible conditions and situations that may occur. It must be understood by the operator that common sense and caution are factors which cannot be built into this product, but must be supplied by the operator.

### SAVE THESE INSTRUCTIONS

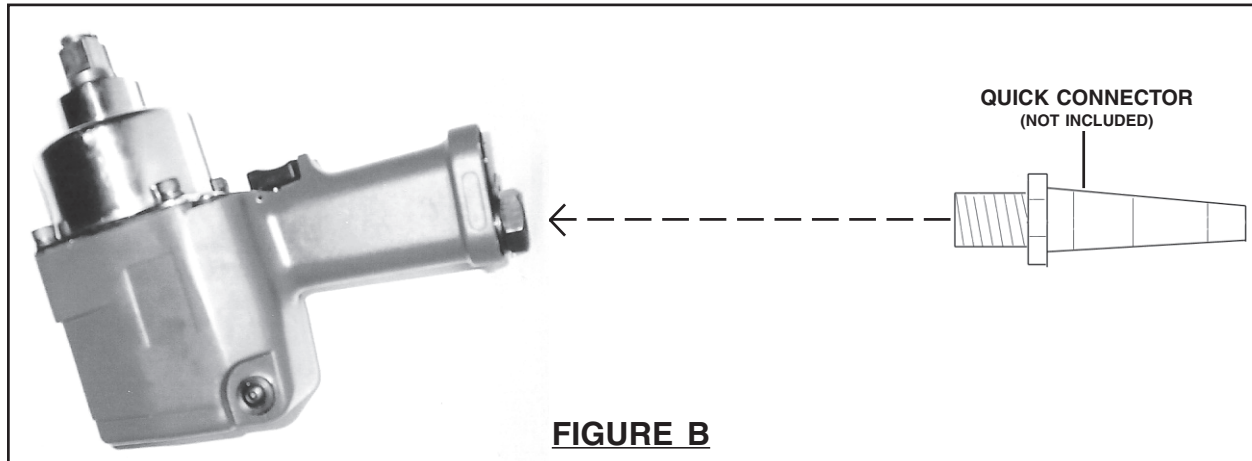
#### CONNECTING TO AN AIR SUPPLY

1. For best service, you should incorporate an oiler, regulator, and in-line filter, as shown in the diagram below. Hoses, couplers, oilers, regulators, and filters are all available at Harbor Freight Tools. **NOTE:** If an automatic oiler is not used, put 3-5 drops of pneumatic Tool Oil (not included) in the tool’s quick connector before each use. **(See Figure A.)**




## ASSEMBLY INSTRUCTIONS

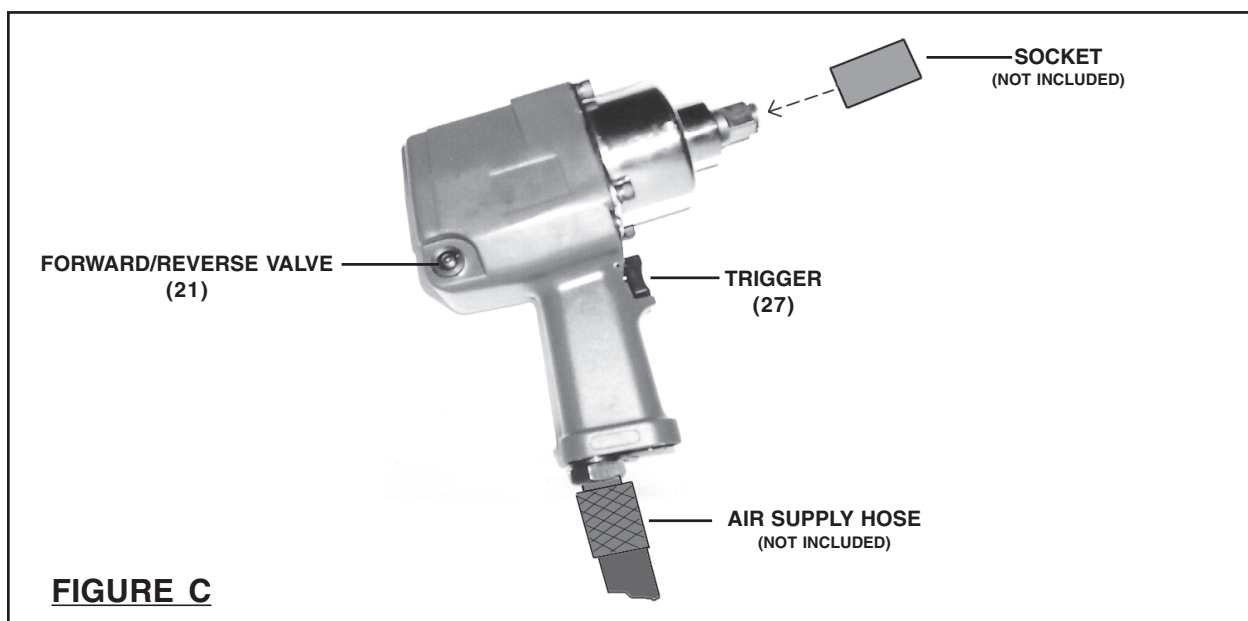
1. Prior to use, the Impact Wrench requires the attachment of a 3/8"-18 NPT Quick Connector (not included) to its Air Inlet (45). To do so, make sure the screen Air Filter (44) is properly seated in the Air Inlet. Wrap approximately 3" of pipe thread sealer tape (not included) around the male threads of the Quick Connector. Then, firmly tighten the Quick Connector into the Air Inlet. **(See Figure B.)**



## OPERATING INSTRUCTIONS

1.  **WARNING! Use eye and hearing protection.** Always wear ANSI approved safety impact goggles when using this Impact Wrench. Also, wear ANSI approved hearing protection. Other people in the work area must also wear appropriate ANSI approved safety equipment.
2. Whenever possible, secure the workpiece in place, using a vise or clamps (not included).
3. Make sure the Impact Wrench is disconnected from its air supply hose prior to installing or changing sockets (not included) on the tool.
4. Select the proper 3/4" impact socket for the job at hand. Then, firmly insert the socket onto the Anvil (39) of the Impact Wrench. **(See Figure C, next page.)**
5. The Impact Wrench features a Forward/Reverse Valve (21) that allows you to change the rotational direction of the tool. For a **forward (clockwise)** rotation, move the Forward/Reverse Valve to the **left**. For a **reverse (counterclockwise)** rotation, move the Forward/Reverse Valve to the **right**. **(See Figure C.)**

6. Connect the air supply hose (not included) to the previously installed Quick Connector of the Impact Wrench. **(See Figure C.)**
7. Turn on the air compressor, and set its regulator at **90 PSI**.  
**Do not exceed 90 PSI.**
8. Wait until the air compressor's regulator reaches 90 PSI. Then, insert the previously installed socket onto the nut that is to be loosened or tightened.
9. Make sure to hold the Impact Wrench firmly with *both hands*, as torque from the tool will cause the tool to twist. Then, squeeze the Trigger (27) to turn on the tool. **(See Figure C.)**
10. While the work is in progress, you may need to change the directional rotation of the tool. **To avoid damaging the Impact Wrench, always make sure the tool is at a complete stop before changing the rotational direction.** **(See Figure C.)**
11. When finished, release the Trigger (27) to stop the Impact Wrench. **(See Figure C.)**
12. Turn off the air compressor. Squeeze the Trigger (27) of the Impact Wrench to release any remaining air pressure in the system and tool. Disconnect the tool from its air supply hose. Then, remove the socket from the tool and store the socket in a safe location. **(See Figure C.)**
13. Make sure to store the Impact Wrench in a clean, dry, safe location out of reach of children and other unauthorized people.






**FIGURE C**

## TROUBLESHOOTING

Problem	Possible Solution
Impact Wrench does not turn on when Trigger is squeezed.	<ol style="list-style-type: none"> <li>1. Make sure to firmly squeeze the Trigger (27).</li> <li>2. Make sure air compressor is on and its regulator is set at 90 PSI.</li> <li>3. Make sure all air system connections are secure and that there are no leaks.</li> <li>4. Make sure the air and oil filters in the air compressor are not plugged.</li> <li>5. Make sure the Air Filter (44) within the Air Inlet (45) is not plugged.</li> </ol>
Releasing the Trigger on the Impact Wrench does not turn off the tool.	<ol style="list-style-type: none"> <li>1. Turn off the air compressor. Release any remaining compressed air from the system and tool. Disconnect the air supply hose from the tool. Do not use the tool until a qualified service technician repairs the tool.</li> </ol>

## INSPECTION, MAINTENANCE, AND CLEANING

1.  **WARNING!** Always wear ANSI approved safety impact goggles when performing any inspection, maintenance, or cleaning procedures.
2.  **WARNING!** Prior to performing any inspection, maintenance, or cleaning of the Impact Wrench, make sure to disconnect the air hose from the tool. Then, squeeze the Trigger (27) again to release any compressed air in the system and tool.
3. **To clean the exterior of the Impact Wrench**, wipe with a clean, damp cloth using a mild detergent or mild solvent. Do not immerse the tool in liquids.
4. **When storing**, always store the Riveter in a clean, dry, safe location out of reach of children.
5.  **CAUTION!** All maintenance, service, and repairs not mentioned in this manual must only be performed by a qualified service technician.

## PLEASE READ THE FOLLOWING CAREFULLY

THE MANUFACTURER AND/OR DISTRIBUTOR HAS PROVIDED THE PARTS LIST AND ASSEMBLY DIAGRAM IN THIS MANUAL AS A REFERENCE TOOL ONLY. NEITHER THE MANUFACTURER OR DISTRIBUTOR MAKES ANY REPRESENTATION OR WARRANTY OF ANY KIND TO THE BUYER THAT HE OR SHE IS QUALIFIED TO REPLACE ANY PARTS OF THE PRODUCT. IN FACT, THE MANUFACTURER AND/OR DISTRIBUTOR EXPRESSLY STATES THAT ALL REPAIRS AND PARTS REPLACEMENTS SHOULD BE UNDERTAKEN BY CERTIFIED AND LICENSED TECHNICIANS, AND NOT BY THE BUYER. THE BUYER ASSUMES ALL RISKS AND LIABILITY ARISING OUT OF HIS OR HER REPAIRS TO THE ORIGINAL PRODUCT OR REPLACEMENT PARTS THERETO, OR ARISING OUT OF HIS OR HER INSTALLATION OF REPLACEMENT PARTS THERETO.

## PARTS LIST

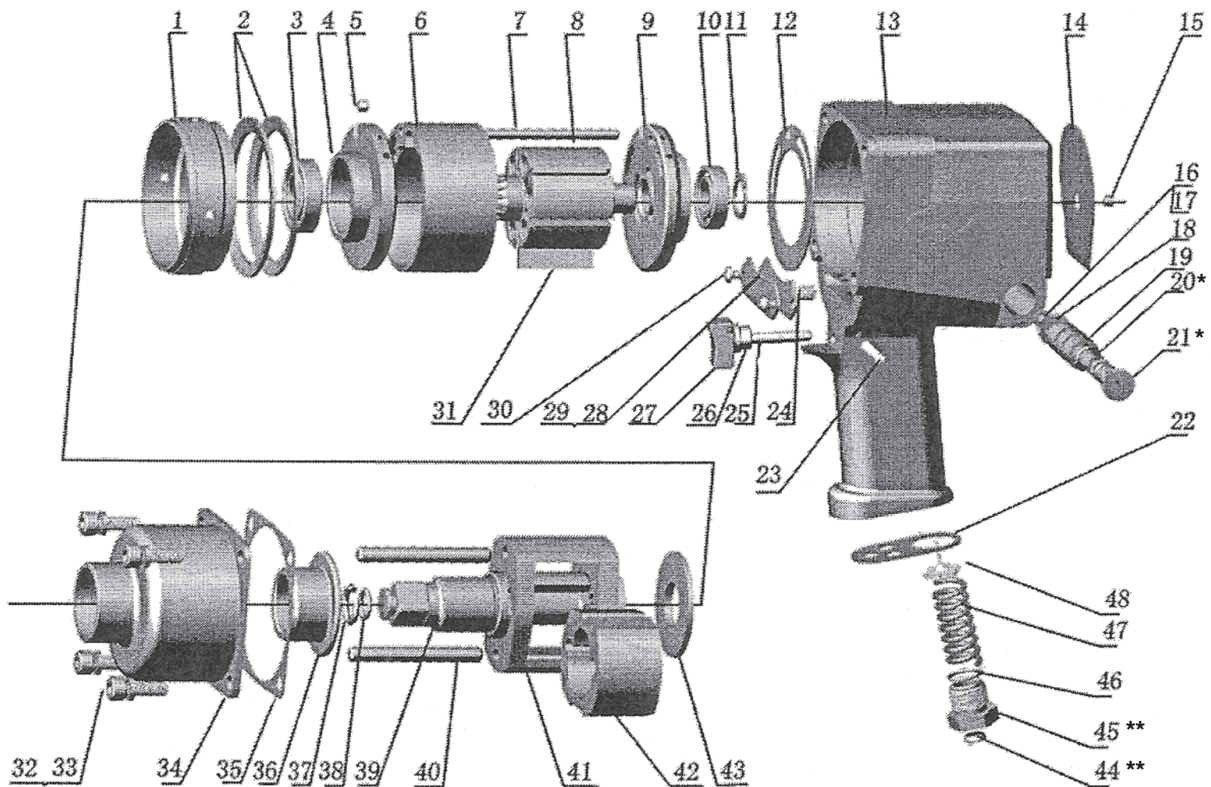
Part #	Description	Qty.	Part #	Description	Qty.
1	Bushing	1	25	Spacer	1
2	Spring Ring	2	26	Valve Bushing	1
3	Bearing	1	27	Trigger	1
4	Front End Plate	1	28	Gasket	1
5	Pin	1	29	Board	1
6	Cylinder	1	30	Screw	2
7	Pin	1	31	Blade	6
8	Rotor	1	32	Spring Washer	4
9	Rear End Plate	1	33	Screw	4
10	Bearing	1	34	Clutch Housing	1
11	Spacer	1	35	Front Gasket	1
12	Rear Gasket	1	36	Front Shaft Bushing	1
13	Pistol Grip Handle	1	37	Spring Ring	1
14	Trademark	1	38	O-Ring	1
15	Guide	1	39	Anvil	1
16	Screw	1	40	Impact Pin	2
17	Spring Washer	1	41	Impact Cage	1
18	Speed Conditioner	1	42	Impact Dog	1
19	Reverse Valve Bushing	1	43	Spacer	1
20*	O-Ring	2	44**	Air Filter	1
21*	Forward/Reverse Valve	1	45**	Air Inlet	1
22	Exhaust Deflector	1	46	O-Ring	1
23	Roll Pin	1	47	Valve Spring	1
24	Screw	1	48	Air Closer	1

\* Sold only as an assembly.

\*\* Sold only as an assembly.



## ASSEMBLY DIAGRAM



**NOTE:**

Some parts are listed and shown for illustration purposes only, and are not available individually as replacement parts.

## WARRANTY

### CENTRAL PNEUMATIC® **Professional** LIMITED 2 YEAR WARRANTY

Harbor Freight Tools Co. makes every effort to assure that its products meet high quality and durability standards, and warrants to the original purchaser that this product is free from defects in materials and workmanship for the period of 2 years from the date of purchase. This warranty does not apply to damage due directly or indirectly, to misuse, abuse, negligence or accidents, repairs or alterations outside our facilities, or to lack of maintenance. We shall in no event be liable for death, injuries to persons or property, or for incidental, contingent, special or consequential damages arising from the use of our product. Some states do not allow the exclusion or limitation of incidental or consequential damages, so the above limitation of exclusion may not apply to you. THIS WARRANTY IS EXPRESSLY IN LIEU OF ALL OTHER WARRANTIES, EXPRESS OR IMPLIED, INCLUDING THE WARRANTIES OF MERCHANTABILITY AND FITNESS.

To take advantage of this warranty, the product or part must be returned to us with transportation charges prepaid. Proof of purchase date and an explanation of the complaint must accompany the merchandise. If our inspection verifies the defect, we will either repair or replace the product at our election or we may elect to refund the purchase price if we cannot readily and quickly provide you with a replacement. We will return repaired products at our expense, but if we determine there is no defect, or that the defect resulted from causes not within the scope of our warranty, then you must bear the cost of returning the product.

This warranty gives you specific legal rights and you may also have other rights which vary from state to state.

3491 Mission Oaks Blvd. • PO Box 6009 • Camarillo, CA 93011 • (800) 444-3353

## Free Manuals Download Website

<http://myh66.com>

<http://usermanuals.us>

<http://www.somanuals.com>

<http://www.4manuals.cc>

<http://www.manual-lib.com>

<http://www.404manual.com>

<http://www.luxmanual.com>

<http://aubethermostatmanual.com>

Golf course search by state

<http://golfingnear.com>

Email search by domain

<http://emailbydomain.com>

Auto manuals search

<http://auto.somanuals.com>

TV manuals search

<http://tv.somanuals.com>