

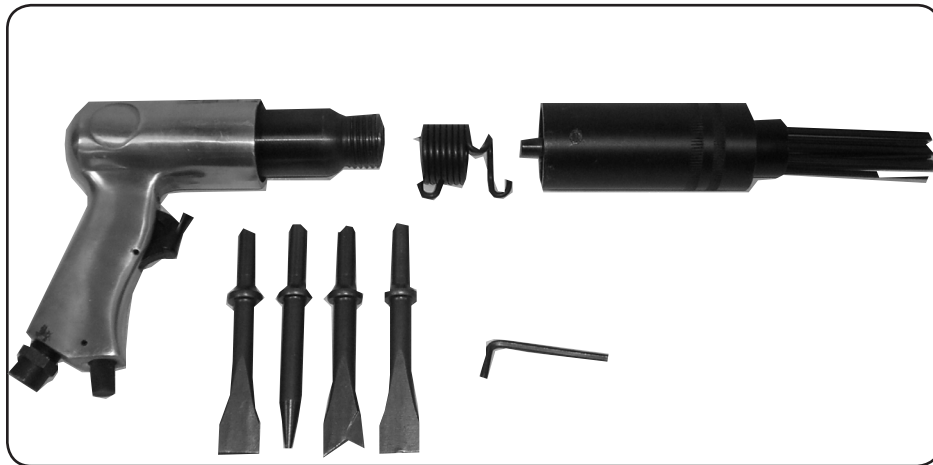
# CENTRAL PNEUMATIC®



## 2-IN-1 AIR HAMMER WITH 4 PC CHISELS & NEEDLE SCALER

**Model 95801**

### ASSEMBLY AND OPERATION INSTRUCTIONS



Due to continuing improvements, actual product may differ slightly from the product described herein.



3491 Mission Oaks Blvd., Camarillo, CA 93011

Visit our website at: <http://www.harborfreight.com>

**TO PREVENT SERIOUS INJURY, READ AND UNDERSTAND  
ALL WARNINGS AND INSTRUCTIONS BEFORE USE.**

Copyright© 2007 by Harbor Freight Tools®. All rights reserved. No portion of this manual or any artwork contained herein may be reproduced in any shape or form without the express written consent of Harbor Freight Tools.

**For technical questions or replacement parts, please call 1-800-444-3353.**

## SPECIFICATIONS

<b>AIR HAMMER:</b>	Overall dimensions: 7-1/4" L X 2' W X 6-1/2" H
	Activation method: Trigger squeeze design.
	Net weight: 3.35 lb
	Air inlet: 1/4" - 18 NPT
	Air Consumption: 4 CFM
	Maximum Operating Pressure: 90 PSI
<b>CHISELS:</b>	Types: 1 - Ripping Chisel 1 - Cold Chisel 1 - Punch Chisel 1 - Panel cutter Chisel
	Dimensions: Shanks: 0.395" ~ 3/8" Bore: 0.401" Lengths: 4-3/4" ~ 4-7/8" L
	Net weights: 3.10 ~ 3.25 oz.
<b>SCALER:</b>	Overall dimensions: 9" L X 1-7/8" O.D.
	Needle quantity: 19
	Needle dimensions: 7-1/8"L X 1/8" O.D. X 3/16" Head O.D.
	Net weight: 2.05 lb.

### Save This Manual

You will need this manual for the safety warnings and precautions, assembly, operating, inspection, maintenance and cleaning procedures, parts list and assembly diagram. Keep your invoice with this manual. Write the invoice number on the inside of the front cover. Write the product's serial number in the back of the manual near the assembly diagram, or write month and year of purchase if product has no serial number. Keep this manual and invoice in a safe and dry place for future reference.

## GENERAL SAFETY RULES

### **WARNING!**

**READ AND UNDERSTAND ALL INSTRUCTIONS**  
**Failure to follow all instructions listed below may result in**  
**serious injury.**  
**SAVE THESE INSTRUCTIONS**

- Use compressed air only:** Clean, dry, regulated compressed air at no more than 90 PSI. Never use oxygen, carbon dioxide, combustible gases, or any other bottled gas as a power source for this tool.

2. **Keep your work area clean and well lit.** Cluttered benches and dark areas invite accidents.
3. **Use protection: Always wear ANSI-approved safety eye goggles, dust mask/respirator, work gloves, hard toed shoes, long sleeve shirt and long pants when using or servicing this Air Hammer.**
4. **Do not operate power tools in explosive atmospheres, such as in the presence of flammable liquids, gases, or dust.** Power tools create sparks which may ignite the dust or fumes.
5. **Keep bystanders, children, and visitors away while operating a power tool.** Distractions can cause you to lose control. Protect others in the work area from debris such as chips and sparks. Provide barriers or shields as needed.
6. **Stay alert. Watch what you are doing, and use common sense when operating a power tool. Do not use a power tool while tired or under the influence of drugs, alcohol, or medication.** A moment of inattention while operating power tools may result in serious personal injury.
7. **Dress properly. Do not wear loose clothing or jewelry. Contain long hair. Keep your hair, clothing, and gloves away from moving parts.** Loose clothes, jewelry, or long hair can be caught in moving parts.
8. **Avoid accidental starting. Be sure the Power Switch is off before plugging in.** Carrying power tools with your finger on the Power Switch, or plugging in power tools with the Power Switch on, invites accidents.
9. **Be sure all tools and/or attachments used with this Air Hammer are secure before plugging in or turning on the air supply.**
10. **Be careful when connecting/disconnecting air supply.** It is recommended to use quick disconnects (not included) rather than screw-on air connections.
11. **Always disconnect the air supply when this Air Hammer is not being used.**
12. **Use ONLY the attachments that come with this Air Hammer.** Using or altering other parts/attachments could damage this tool or cause personal injury.
13. **Remove adjusting keys or wrenches before turning the power tool on.** A wrench or a key that is left attached to a moving part of the power tool may result in personal injury.
14. **Do not overreach. Keep proper footing and balance at all times.** Proper footing and balance enables better control of the power tool in unexpected situations.
15. **Use clamps (not included) or other practical ways to secure and support the workpiece to a stable platform.** Holding the work by hand or against your body is unstable and may lead to loss of control.

16. **Do not force the tool. Use the correct tool for your application.** The correct tool will do the job better and safer at the rate for which it is designed. Do not force the tool and do not use the tool for a purpose for which it is not intended.
17. **Do not use the Air Hammer if the Power Switch does not turn it on or off.** Any tool that cannot be controlled with the Power Switch is dangerous and must be replaced.
18. **Disconnect the air supply before making any adjustments, changing accessories, or storing the tool.** Such preventive safety measures reduce the risk of starting the tool accidentally. **Always unplug the tool from its air supply before performing any inspection, maintenance, or cleaning procedures.**
19. **Store idle tools out of reach of children and other untrained persons.** Tools are dangerous in the hands of untrained users. Never allow Children to come in contact with this product.
20. **Maintain tools with care. Keep cutting tools sharp and clean.** Properly maintained tools with a sharp cutting edge are less likely to bind and are easier to control. Do not use a damaged tool. Tag damaged tools "Do not use" until repaired.
21. **Check for misalignment or binding of moving parts, breakage of parts, and any other condition that may affect the tool's operation. If damaged, have the tool serviced before using.** Many accidents are caused by poorly maintained tools.

## SERVICE

1. **Tool service must be performed only by qualified repair personnel.** Service or maintenance performed by unqualified personnel could result in a risk of injury.
2. **When servicing a tool, use only identical replacement parts. Follow instructions in the "Inspection, Maintenance, And Cleaning" section of this manual.** Use of unauthorized parts or failure to follow maintenance instructions may create a risk of injury.

---

## **SPECIFIC SAFETY RULES**

---

1. **Maintain labels and nameplates on the Air Hammer.** These carry important information. If unreadable or missing, contact Harbor Freight Tools for a replacement.
2. **Maintain a safe working environment.** Make sure there is adequate surrounding workspace. Do not use this product in a damp or wet location.
3. **When using this Air Hammer, always maintain a firm grip on the tool with both hands to resist starting torque.**
4. **Avoid unintentional starting.** Make sure you are prepared to begin work before turning on the air supply or the Air Hammer switch.

5. **Never lay the tool down until it has come to a complete stop.** Moving parts can grab the surface and pull the tool out of your control.
6. **Never leave this Air Hammer unattended when it is plugged into an air supply.** Turn off the tool, and unplug it from an air supply before leaving.
7. **WARNING: Some dust created by power sanding, sawing, grinding, drilling, and other construction activities, contains chemicals known [to the State of California] to cause cancer, birth defects or other reproductive harm.** Some examples of these chemicals are:  
Lead from lead-based paints  
Crystalline silica from bricks and cement or other masonry products  
Arsenic and chromium from chemically treated lumber  
Your risk from these exposures varies, depending on how often you do this type of work. To reduce your exposure to these chemicals: work in a well ventilated area, and work with approved safety equipment, such as those dust masks that are specially designed to filter out microscopic particles. (California Health & Safety Code § 25249.5, *et seq.*)

---

## UNPACKING

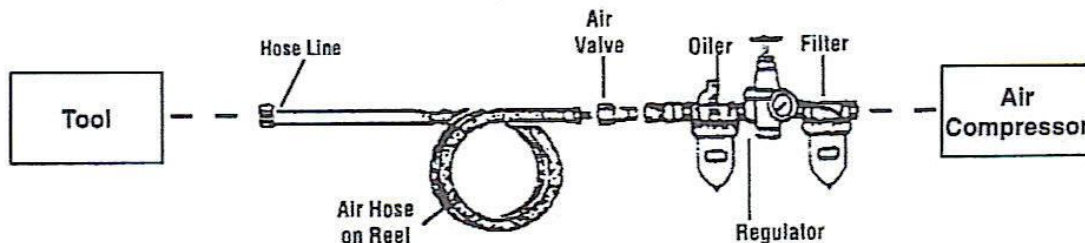
---

When unpacking, check to make sure that the item is intact and undamaged. If any parts are missing or broken, please call Harbor Freight Tools at the number shown on the cover of this manual as soon as possible.

**NOTE: READ ALL INSTRUCTIONS BEFORE USING THIS PRODUCT**

## SETUP

Figure 1



**Recommended Air Line Components**

**NOTE:** For best service, you should incorporate an oiler, regulator, and in-line filter as shown in **Figure 1** above. Hoses, couplers, oilers, regulators and filters are all available at Harbor Freight Tools.

If you are not using an automatic oiler system, before operation add a few drops of Pneumatic Tool Oil (not included) to the airline connection. Add a few drops after each hour of continual use.

---

## ASSEMBLY INSTRUCTIONS

---

**Note:** For additional information regarding the parts listed in the following pages, refer to the Assembly Diagram on page 8 of this manual.

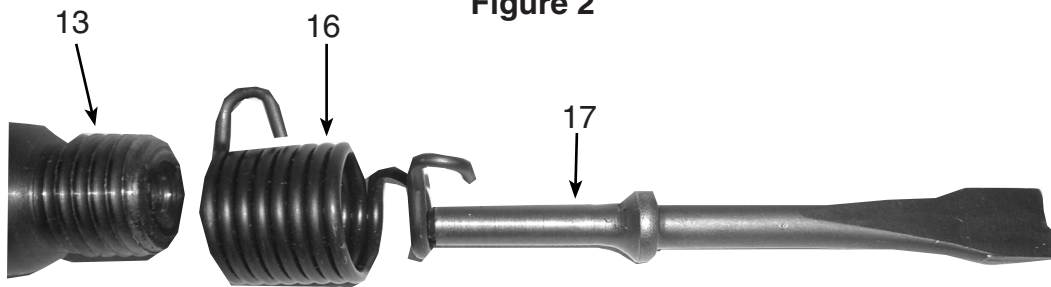
**⚠ WARNING!** Make sure the Power Switch of the tool is in its "OFF" position and that the tool is unplugged from its air supply before making any adjustments to the tool.

### USE AS AIR HAMMER/CHISEL

1. Insert the Chisel (17) you wish to use through the Spring (16) and into the front of the Cylinder (13). Twist the Spring (16) onto the threaded front of the Cylinder (13).

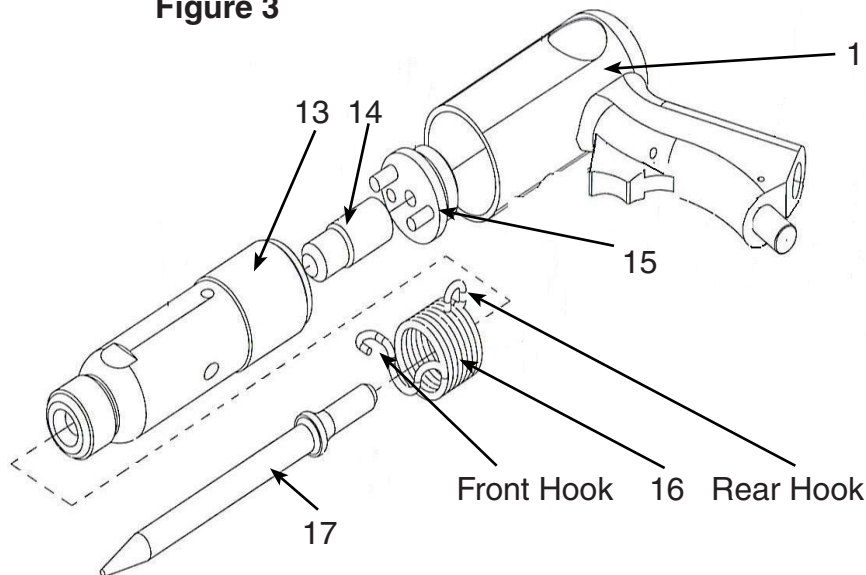
**NOTE:** When twisting on, exert pressure on the hook at the front of the Spring (16). When twisting off, exert pressure on the hook at the back. Doing so allows for easy on, easy off application. See **Figures 2 & 3**

**Figure 2**



2. Insert Cylinder (13) over the Plunger (14) and the Valve (15) and carefully twist the Cylinder (13) into the Air Housing (1).

**Figure 3**

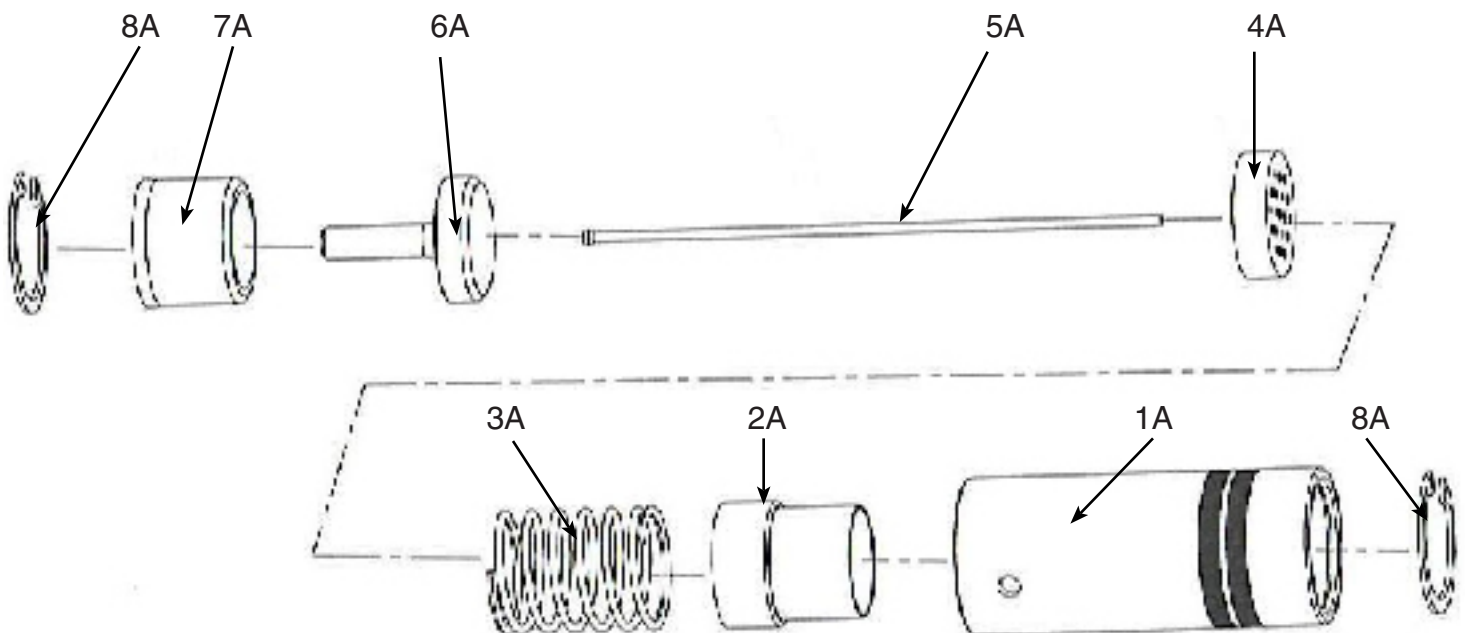


**NOTE:** The threads inside the Cylinder (13) are plastic. Do not exert too much twisting pressure or they can be damaged. The Cylinder should easily twist into the Housing (1) until snug. See **Figures 2 & 3**

3. The Air Hammer is now ready to use as a chisel.
4. To remove, or change chisel heads, simply reverse steps 1 and 2.

**USE AS A SCALER**

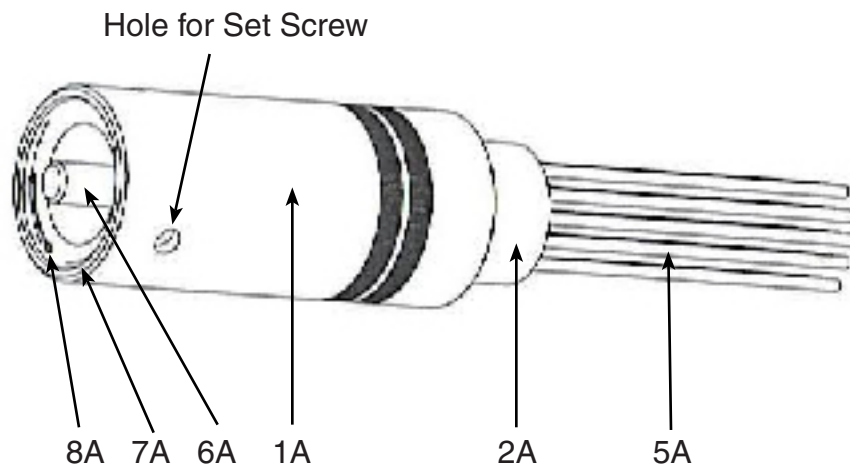
**Figure 4**





1. Insert the Needles (5A) through the holes in the Needle Holder (4A). There are nineteen Needles. Make sure all holes are filled before putting the Needle Holder (4A) through the Spring (3A), the Retainer Clip (2A) and into the Barrel Assembly (1A). Slide one Retainer Ring (8A) around the Needles (5A) and fasten it at the front end of the Barrel Assembly (1A). See **Figures 4 & 4A**

**Figure 5**



2. Holding the Barrel Assembly (1A) in one hand with the Needles (5A) pointing downward, insert the Needle Driver (6A), the Screw Cap (7A) and the last Retainer Ring (8A). See **Figures 4 & 5**
3. The Screw Cap (7A) has a Set Screw that holds it in place. Be very careful NOT to tighten the Set Screw too tightly, snug is good. Otherwise you may damage the plastic threads inside the Screw Cap (7A) causing it to bind or strip some threads.
4. Insert the Barrel Assembly (1A) into the end of the Air Hammer Housing (1) and thread the two parts together. As before do not over tighten, snug is good.
5. The Air Hammer is now ready to be used as a Scaler.




## OPERATION INSTRUCTIONS

1. With the proper tool attached to the Air Hammer, attach your air supply to the Air Inlet (7) at the base on the Housing (1). Turn on the air supply. Carefully place the tool against the surface of the project you are working with. Make sure the project is in a vise or attached to something that holds it securely so it cannot be moved out of position.
2. Set the Air Regulator (11) located at the base of the Housing (1). **Air pressure should not exceed 90 PSI. Test the action of the Air Hammer and adjust the Air Regulator (11) as necessary.**
3. Use a light touch on the Trigger (8). Never force the Air Hammer against the surface you are working with. Easy, light pressure works best.

**WARNING:** If the Air Hammer is being used as a Scaler, use a ANSI-approved full face shield and not just safety goggles to protect against Needles that may snap off and could possibly cause personal injury.

## INSPECTION, MAINTENANCE, AND CLEANING

1.  **WARNING!** Make sure air compressor is unplugged and that the Air Hammer is disconnected from its Air Supply before performing any inspection, maintenance, or cleaning procedures.
2. **BEFORE EACH USE**, inspect the general condition of this tool. Check for loose screws, misalignment or binding of moving parts, cracked or broken parts, damaged air hoses, and any other condition that may affect its safe operation. If abnormal noise or vibration occurs, have the problem corrected before further use. **Do not use damaged equipment.**

MAINTENANCE CHART						
Maintenance Type	Before Use	After Use	Weekly	Monthly	Every 6 Months	Yearly
Inspect the Air Hammer for damage (see #2, above)	X	X				
Wipe off with clean, moist cloth		X		X		

## TROUBLESHOOTING

Problem	Possible Causes	Probable Solutions
Air Hammer will not start	1. Air supply not connected. 2. Air Regulator (11) not turned up.	1. Check air connection. 2. Turn up Air Regulator (11).

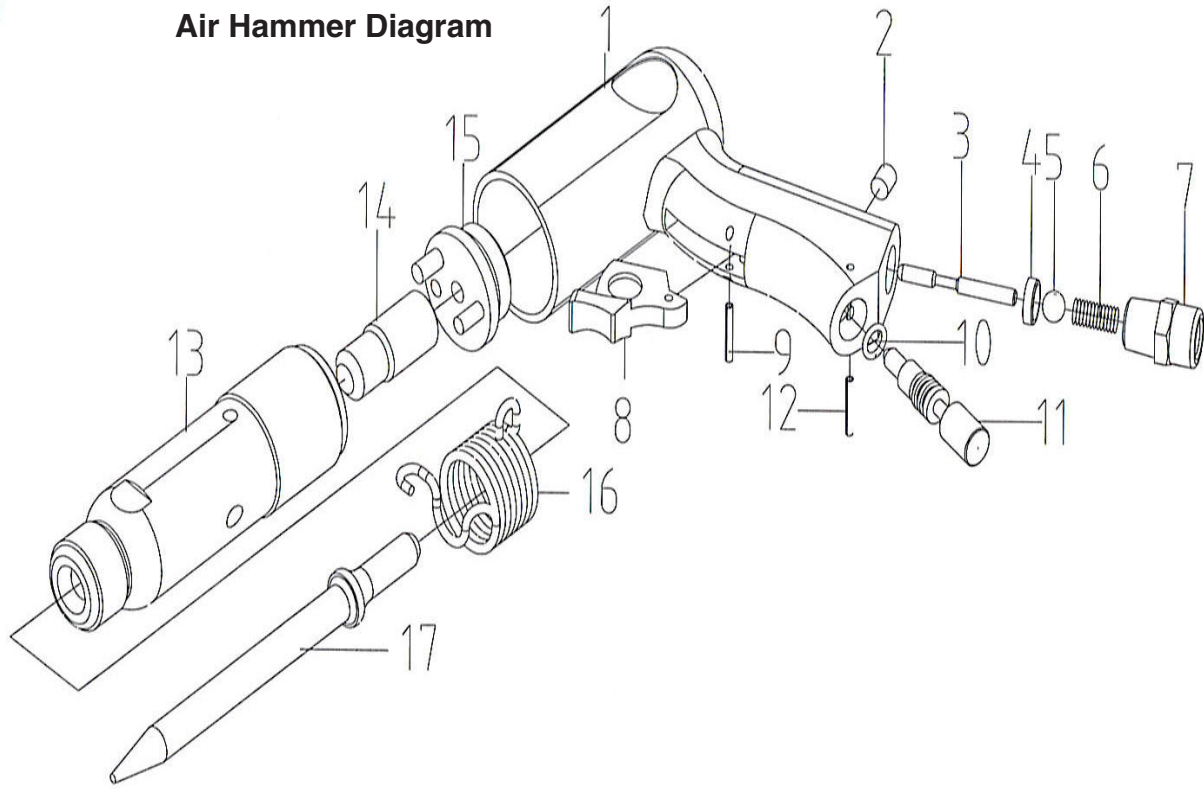
Problem	Possible Causes	Probable Solutions
Air Hammer starts but not enough air pressure.	1. Possible leak in air supply system.	1. Check all hoses, connections on air compressor and all lines running to the Air Hammer. Replace any defective or broken parts.

**PLEASE READ THE FOLLOWING CAREFULLY**

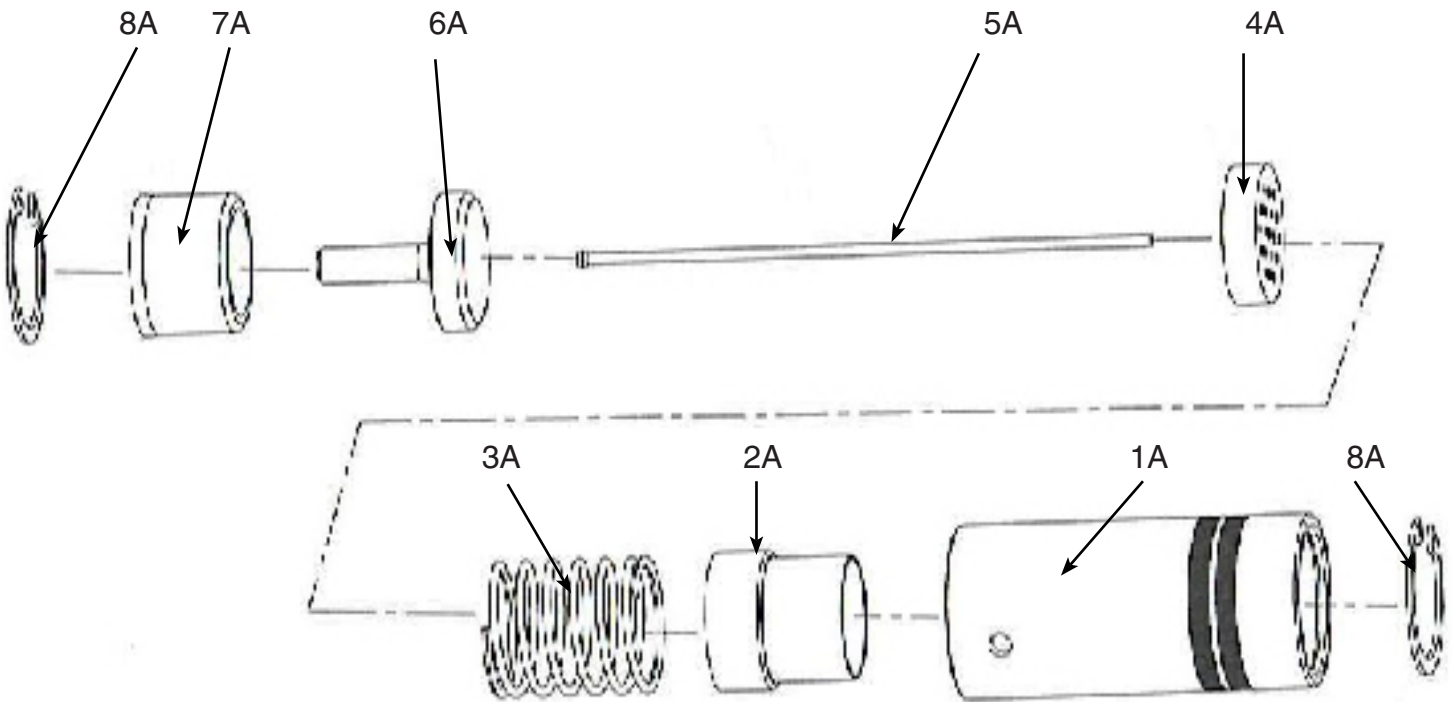
THE MANUFACTURER AND/OR DISTRIBUTOR HAS PROVIDED THE PARTS LIST AND ASSEMBLY DIAGRAM IN THIS MANUAL AS A REFERENCE TOOL ONLY. NEITHER THE MANUFACTURER OR DISTRIBUTOR MAKES ANY REPRESENTATION OR WARRANTY OF ANY KIND TO THE BUYER THAT HE OR SHE IS QUALIFIED TO MAKE ANY REPAIRS TO THE PRODUCT, OR THAT HE OR SHE IS QUALIFIED TO REPLACE ANY PARTS OF THE PRODUCT. IN FACT, THE MANUFACTURER AND/OR DISTRIBUTOR EXPRESSLY STATES THAT ALL REPAIRS AND PARTS REPLACEMENTS SHOULD BE UNDERTAKEN BY CERTIFIED AND LICENSED TECHNICIANS, AND NOT BY THE BUYER. THE BUYER ASSUMES ALL RISK AND LIABILITY ARISING OUT OF HIS OR HER REPAIRS TO THE ORIGINAL PRODUCT OR REPLACEMENT PARTS THERETO, OR ARISING OUT OF HIS OR HER INSTALLATION OF REPLACEMENT PARTS THERETO.

# ASSEMBLY DIAGRAMS

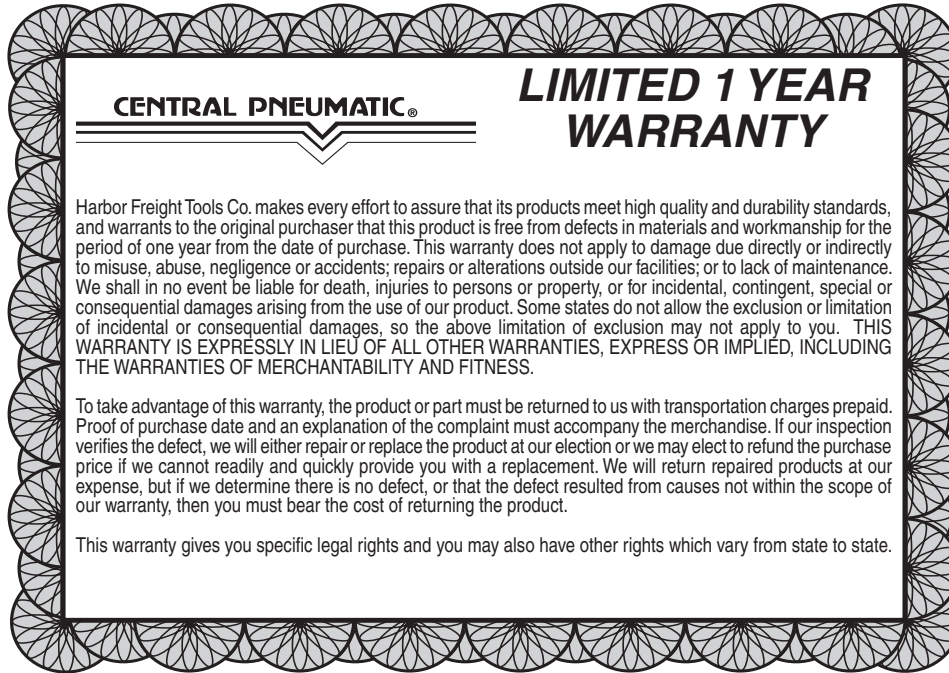
## Air Hammer Diagram



## Scaler Diagram



## WARRANTY



**Record Product's Serial Number Here:** \_\_\_\_\_

**Note:** If product has no serial number, record month and year of purchase instead.

**Note:** Some parts are listed and shown for illustration purposes only, and are not available individually as replacement parts.

## Free Manuals Download Website

<http://myh66.com>

<http://usermanuals.us>

<http://www.somanuals.com>

<http://www.4manuals.cc>

<http://www.manual-lib.com>

<http://www.404manual.com>

<http://www.luxmanual.com>

<http://aubethermostatmanual.com>

Golf course search by state

<http://golfingnear.com>

Email search by domain

<http://emailbydomain.com>

Auto manuals search

<http://auto.somanuals.com>

TV manuals search

<http://tv.somanuals.com>