



## 2 PIECE SOLAR LIGHT SET

**Model 95745**

### ASSEMBLY AND OPERATING INSTRUCTIONS



Visit our website at: <http://www.harborfreight.com>



---

**Read this material before using this product.  
Failure to do so can result in serious injury.  
SAVE THIS MANUAL.**

---

Copyright© 2008 by Harbor Freight Tools®. All rights reserved. No portion of this manual or any artwork contained herein may be reproduced in any shape or form without the express written consent of Harbor Freight Tools. Diagrams within this manual may not be drawn proportionally. Due to continuing improvements, actual product may differ slightly from the product described herein. Tools required for assembly and service may not be included.

**For technical questions or replacement parts, please call 1-800-444-3353.**

Revised Manual 10f

THANK YOU for choosing a **HARBOR FREIGHT TOOLS** product. For future reference, please complete the owner's record below:

Model \_\_\_\_\_ Serial No. \_\_\_\_\_ Purchase Date \_\_\_\_\_

SAVE THE RECEIPT, WARRANTY AND THESE INSTRUCTIONS. It is important that you read the entire manual to become familiar with the unit BEFORE you begin assembly.

### Technical Specifications

Material:	Injection molded ABS plastic body
LED's	(3) Super Bright White
Switch Type:	2 way push button photo/cell eye for auto on/off
Power:	2 "AA" 1.2 VDC, 600 mAh rechargeable and replaceable Ni-Cd
Panel Dimensions:	4.5" diameter
Weight:	.7 lb.
Overall Dimensions:	13" H X 5-3/4" W



***READ ALL INSTRUCTIONS BEFORE USING THIS PRODUCT!***  
**Safety Warnings and Precautions**

**WARNING:** When using product, basic safety precautions should always be followed to reduce the risk of personal injury and damage to equipment.

#### **Read all instructions before using this product!**

1. **Keep work area clean.** Cluttered areas invite injury.
2. **Observe work area conditions.** Keep work area well lit. Position the Solar Spotlights in an unobstructed area that receives sunlight at least six hours a day.
3. **Check for damaged parts.** Before using any product, any part that appears damaged should be carefully checked to determine that it will operate properly and perform its intended function. Check for any broken or damaged parts and any other conditions that may affect its operation. Replace or repair damaged or worn parts immediately. Do not use the Solar Spotlights if any switch does not turn on and off properly.
4. **Replacement parts and accessories.** When servicing, use only identical replacement parts. Use of any other parts will void the warranty.
5. **Always check hardware and assembled parts after assembling.** All connections should be tight and hardware tightened.
6. **Keep children away.** Children must never be allowed in the work area. Do not let them handle the Solar Spotlights.
7. **Store idle equipment.** When not in use always lock up the Solar Spotlights and keep it out of the reach of children.
8. **Dress properly.** Protective, electrically nonconductive clothes and nonskid footwear are recommended when working with the Solar Spotlights. Wear restrictive hair covering to contain long hair.

9. **Use eye protection.** Always wear ANSI approved impact safety goggles when setting up this product.
10. **Maintain products with care.** Keep the Solar Spotlights clean for better and safer performance. Inspect the Solar Spotlights periodically. If damaged, have it repaired by an authorized technician.
11. **Do not overreach.** Keep proper footing and balance at all times.
12. **Use the right Solar Spotlight for the job.** Do not attempt to force a small Solar Spotlight to do the work of a larger Light. There are certain applications for which this Solar Spotlight was designed. Do not modify these products and do not use this Solar Spotlights for a purpose for which it was not intended.
13. **Do not set up the Solar Spotlights if under the influence of alcohol or drugs.** Read warning labels on prescriptions to determine if your judgement or reflexes are impaired while taking drugs. If there is any doubt, do not set up the Solar Spotlights.
14. **Keep the Solar Panel free of dirt, dust and grime. Dust covering the Solar Panel will block out sunlight causing a decrease or stoppage of efficiency in recharging the batteries.**

**WARNING:** NiCd batteries must be recycled or disposed of properly. Do not incinerate. Batteries may burst, causing personal injury and/or property damage. Contact your local hazardous waste disposal authority for proper disposal.

**WARNING:** The warnings, cautions, and instructions discussed in this instruction manual cannot cover all possible conditions and situations that may occur. It must be understood by the operator that common sense and caution are factors which cannot be built into this product, but must be supplied by the operator.

### Unpacking

When unpacking the 2 Piece Solar Spotlights, check to make sure parts on page 5 are included. If any parts are missing or broken, please call **HARBOR FREIGHT TOOLS** at **1-800-444-3353**.

### Assembly/ Operation

Your 2 Pc. Solar Spotlights will require complete assembly. The Solar Spotlights requires special conditions for set up and operation. It is important that you read the entire manual to become familiar with the product BEFORE you use the Solar Spotlights. Before operating the Solar Spotlights be sure that you have all parts described in the Parts List and Assembly Diagram located on page 5 of this manual.

1. Decide where you want to place the Solar Spotlights. Choose a location that receives full, direct sunlight a minimum of six hours a day. The location should not be near nighttime light sources such as porch lights or streetlights as this may trigger the lights to turn off or flicker.
2. The Solar Spotlights will need to charge for at least 6 hours before using for the first time.
3. Each light is powered by two "AA" batteries. Each battery has a pull tab that keeps the battery disconnected until you are ready to use the Solar Spotlights. To access the battery, see steps 4, 5 and 6. Refer to the section, "Replacing the Battery" and see Figure 1.

4. Unscrew the battery cover located at the rear of the Spotlight by twisting it counterclockwise. See Figure 1.



5. Located underneath the two batteries is an “Auto/Off” Switch-see Figure 2. Turn the switch to the “Auto” position. Moving the Switch to “Auto” will automatically turn on the Solar Spotlight during the night. Check to make sure that the two batteries are installed correctly, then twist the battery cover back on. See Figure 2.
6. After the initial charge is set, check to see that the LED Lights are on by viewing the light at night or in a dark location. If the LED Lights (2) are not lit, check the position of the “Auto” Switch.

**Note:** During the day, the Solar Panel converts sunlight into electricity, recharging the batteries. The amount of light the Solar Panel receives depends on placement of the Solar Spotlights, geographic location and weather. If the weather is cloudy and the panel did not receive a full charge, the Solar Spotlights may not achieve the full hours of operating time. They will catch up on their own after two to three days of full sun.

7. Insert Nut (4) into nut-shaped hole of Stake (3), then thread in Knob (1) - see Assembly Diagram.

**Warning:** Before inserting the Solar Spotlight into the ground, make certain to choose an area where there are no underground pipes, cables or other obstructions. Make certain that the ground is soft enough to accept the Stakes (7). Gently insert them into the ground making certain that it is in solid. Make certain that the Stake is completely inserted into the ground to assure full stability for the Solar Spotlight.

8. The Light Assembly (2) rotates up and down to obtain the best lighting situation. The Solar Panel pivots on a ball and can be set to a number of different angles to obtain the best angle for solar power.

## Replacing the Battery

It is recommended that you replace the battery every 12 months. Before performing any maintenance on the Solar Spotlight, make certain that the "Off-Auto Switch is in the "OFF" position.

1. Unscrew the battery cover located at the rear of the Spotlight. See Figure 1, page 4.
2. Remove the old batteries. Make certain that the new batteries are "AA", Ni-Cd rechargeable. Install the new battery into the battery compartment. Make certain that the battery is placed according to the correct polarity. Replace the battery cover.

## Maintenance

Clean regularly with a damp towel. Do not use any type of solvent for cleaning. Do not put too much pressure on the light or components while cleaning. Dry thoroughly.

### **PLEASE READ THE FOLLOWING CAREFULLY**

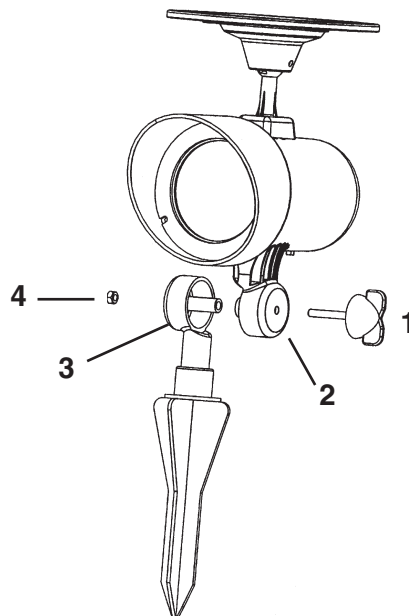
**THE MANUFACTURER AND/OR DISTRIBUTOR HAS PROVIDED THE PARTS DIAGRAM IN THIS MANUAL AS A REFERENCE TOOL ONLY. NEITHER THE MANUFACTURER NOR DISTRIBUTOR MAKES ANY REPRESENTATION OR WARRANTY OF ANY KIND TO THE BUYER THAT HE OR SHE IS QUALIFIED TO MAKE ANY REPAIRS TO THE PRODUCT OR THAT HE OR SHE IS QUALIFIED TO REPLACE ANY PARTS OF THE PRODUCT. IN FACT, THE MANUFACTURER AND/OR DISTRIBUTOR EXPRESSLY STATES THAT ALL REPAIRS AND PARTS REPLACEMENTS SHOULD BE UNDERTAKEN BY CERTIFIED AND LICENSED TECHNICIANS AND NOT BY THE BUYER. THE BUYER ASSUMES ALL RISK AND LIABILITY ARISING OUT OF HIS OR HER REPAIRS TO THE ORIGINAL PRODUCT OR REPLACEMENT PARTS THERETO, OR ARISING OUT OF HIS OR HER INSTALLATION OF REPLACEMENT PARTS THERETO.**

**Note:** Some parts are listed and shown for illustration purposes only and are not available individually as replacement parts.

### Parts List

Part	Description	Quantity
1	Knob	2
2	Light Assembly	2
3	Stake	2
4	Nut	2

### Assembly/Parts Diagram



## Free Manuals Download Website

<http://myh66.com>

<http://usermanuals.us>

<http://www.somanuals.com>

<http://www.4manuals.cc>

<http://www.manual-lib.com>

<http://www.404manual.com>

<http://www.luxmanual.com>

<http://aubethermostatmanual.com>

Golf course search by state

<http://golfingnear.com>

Email search by domain

<http://emailbydomain.com>

Auto manuals search

<http://auto.somanuals.com>

TV manuals search

<http://tv.somanuals.com>