

**CENTRAL MACHINERY**

®

# WOOD LATHE STAND

**Model 46407**

## SET UP AND OPERATING INSTRUCTIONS

**Designed for Harbor Freight Tools®  
Wood Lathe #36066**

Diagrams within this manual may not be drawn proportionally.

Due to continuing improvements, actual product may differ slightly from the product described herein.

**Distributed exclusively by Harbor Freight Tools®.**

3491 Mission Oaks Blvd., Camarillo, CA 93011

Visit our website at: <http://www.harborfreight.com>



**Read this material before using this product.  
Failure to do so can result in serious injury.  
SAVE THIS MANUAL.**

---

Copyright© 2001 by Harbor Freight Tools®. All rights reserved. No portion of this manual or any artwork contained herein may be reproduced in any shape or form without the express written consent of Harbor Freight Tools.

**For technical questions or replacement parts, please call 1-800-444-3353.**

**Cover revised 07i**

## Specifications

Overall Dimensions	56" L x 18" W x 31-1/8" H
Base Mounting Holes	4, .39" holes @ 8-1/2" apart from center
Leg Distance	49" x 15" with .31" mounting holes on each leg
Weight	21 lb.

## Save This Manual

You will need the manual for the safety warnings and precautions, assembly instructions, operating and maintenance procedures, parts list and diagram. Keep your invoice with this manual. Write the invoice number on the inside of the front cover. Keep the manual and invoice in a safe and dry place for future reference.

## Safety Warnings and Precautions

**WARNING: When using tool, basic safety precautions should always be followed to reduce the risk of personal injury and damage to equipment.**

**Read all instructions before using this product!**

1. **Avoid working alone.** If an accident happens, an assistant can bring help.
2. **Keep work area clean.** Cluttered areas invite injuries.
3. **Observe work area conditions.** Don't expose to rain. Keep work area well lighted.
4. **Keep children away.** Children must never be allowed in the work area. Do not let them handle machines, tools, or extension cords.
5. **Store idle equipment.** When not in use, tools must be stored in a dry location to inhibit rust. Always lock up tools and keep out of reach of children.
6. **Dress properly.** Do not wear loose clothing or jewelry as they can be caught in moving parts. Protective, electrically nonconductive clothes and nonskid footwear are recommended when working. Wear restrictive hair covering to contain long hair.
7. **Use eye and ear protection.** Always wear ANSI approved impact safety goggles.
8. **Do not overreach.** Keep proper footing and balance at all times. Do not reach over or across electrical cables or frames.
9. **Maintain tools with care.** Inspect Lathe Stand periodically and, if damaged, have it repaired by an authorized technician.
10. **Use the right Lathe Stand for the job.** Do not attempt to force a small Lathe Stand to do the work of a larger industrial tool. There are certain ap-

plications for which this Lathe Stand was designed. Do not modify this Lathe Stand and do not use this tool for a purpose for which it was not intended.

11. **Stay alert.** Watch what you are doing, use common sense. Do not use any Lathe Stand when you are tired.
12. **Check for damaged parts.** Before using any tool, any part that appears damaged should be carefully checked to determine that it will operate properly and perform its intended function. Any part that is damaged should be properly repaired or replaced by a qualified technician.
13. **Replacement parts and accessories.** When servicing, use only identical replacement parts. Use of any other parts will void the warranty.
14. **Do not use Lathe with Stand if under the influence of alcohol or drugs.** Read warning labels on prescriptions to determine if your judgment or reflexes are impaired while taking drugs. If there is any doubt, do not use the Lathe with Stand.
15. **Take caution as some woods contain preservatives such as copper chromium arsenate (CCA) which can be toxic.** When cutting these materials extra care should be taken to avoid inhalation and minimize skin contact.
16. **Maintenance.** For your safety, maintenance should be performed regularly by a qualified technician.

**Warning: The warnings, cautions, and instructions discussed in this instruction manual cannot cover all possible conditions and situations that may occur. It must be understood by the operator that common sense and caution are factors which cannot be built into this product, but must be supplied by the operator.**

**Warning! Read and follow all of the warnings that came with the Lathe that you use with this stand.**

## Unpacking

When unpacking, check to make sure the parts listed on page 5 are included. If any parts are missing or broken, please call Harbor Freight Tools at the number on the cover of this manual.

## Assembly

Refer to the Assembly Drawing on page 6.

**Note:** The only tool necessary is an adjustable wrench. It is advised to always tighten hardware by hand until the unit is complete, then tighten with the wrench.

1. Take a **Base Plate (2)** and attach a **Leg A (3)** to one side of it using four sets of **Bolts (7)**, **Spring Washers (9)**, **Flat Washers (8)**, and **Nuts (10)**.
2. On the opposite side of the **Base Plate (2)**, attach a **Leg B (4)** using a set of **Bolts (7)**, **Spring Washers (9)**, **Flat Washers (8)**, and **Nuts (10)**.
3. Repeat this procedure with the other **Base Plate (2)** and **Legs A&B (3&4)** so that you have two identical leg structures.
4. In the lowest holes of both **Legs A&B (3&4)** on one leg structure, attach a **Leg Mounting A (5)** so that the holes match up and the angled lip is on top. Secure with two sets of **Bolts (7)**, **Spring Washers (9)**, **Flat Washers (8)**, and **Nuts (10)**.
5. Repeat same procedure with the other leg structure.
6. Next, you will join the two leg structures allowing the unit to stand. Lay the units on a flat, level surface so that the insides of both leg structures are facing each other. Line up the two holes on a **Leg Mounting B (6)** with the holes on the inside of one of the **Legs A&B (3&4)**. Secure it with two sets of **Bolts (7)**, **Spring Washers (9)**, **Flat Washers (8)**, and **Nuts (10)**. Take the other end of the **Leg Mounting B (6)** bracket and attach it to the inside of the corresponding **Leg A&B (3&4)** on the other leg structure using two sets of **Bolts (7)**, **Spring Washers (9)**, **Flat Washers (8)**, and **Nuts (10)**.
7. Repeat the same procedure on the other two **Legs A&B (3&4)**.
8. Stand up the unit.
9. Lastly, attach an **Adapter Plate (1)** to each **Base Plate (2)** using four sets of **Bolts (7)**, **Spring Washers (9)**, **Flat Washers (8)**, and **Nuts (10)**.  
The stand is ready for your lathe.

## Operation

**Note:** Always use the stand on a flat, level, dry surface. We recommend using two people to secure the lathe to the Lathe Stand.

1. When mounting a lathe onto the stand, first make sure the mounting holes on the stand correspond with the mounting holes on the lathe.
2. One person should hold the lathe so that the mounting holes line up, while the other person puts one of the bolt, washer, nut combinations (not included) through one of the holes in an **Adapter Plate (1)**, and tighten by hand. Next, attach one bolt, washer, nut combinations (not included) through one of the holes on the other **Adapter Plate (1)**. Tighten by hand.
3. Now, add the remaining hardware (not included) to secure all of the mounting holes, and tighten with a wrench.

## Maintenance

1. Clean dirt, grease, or wood chippings off of the stand with a cloth or brush.
2. Periodically tighten all of the hardware.

### Parts List

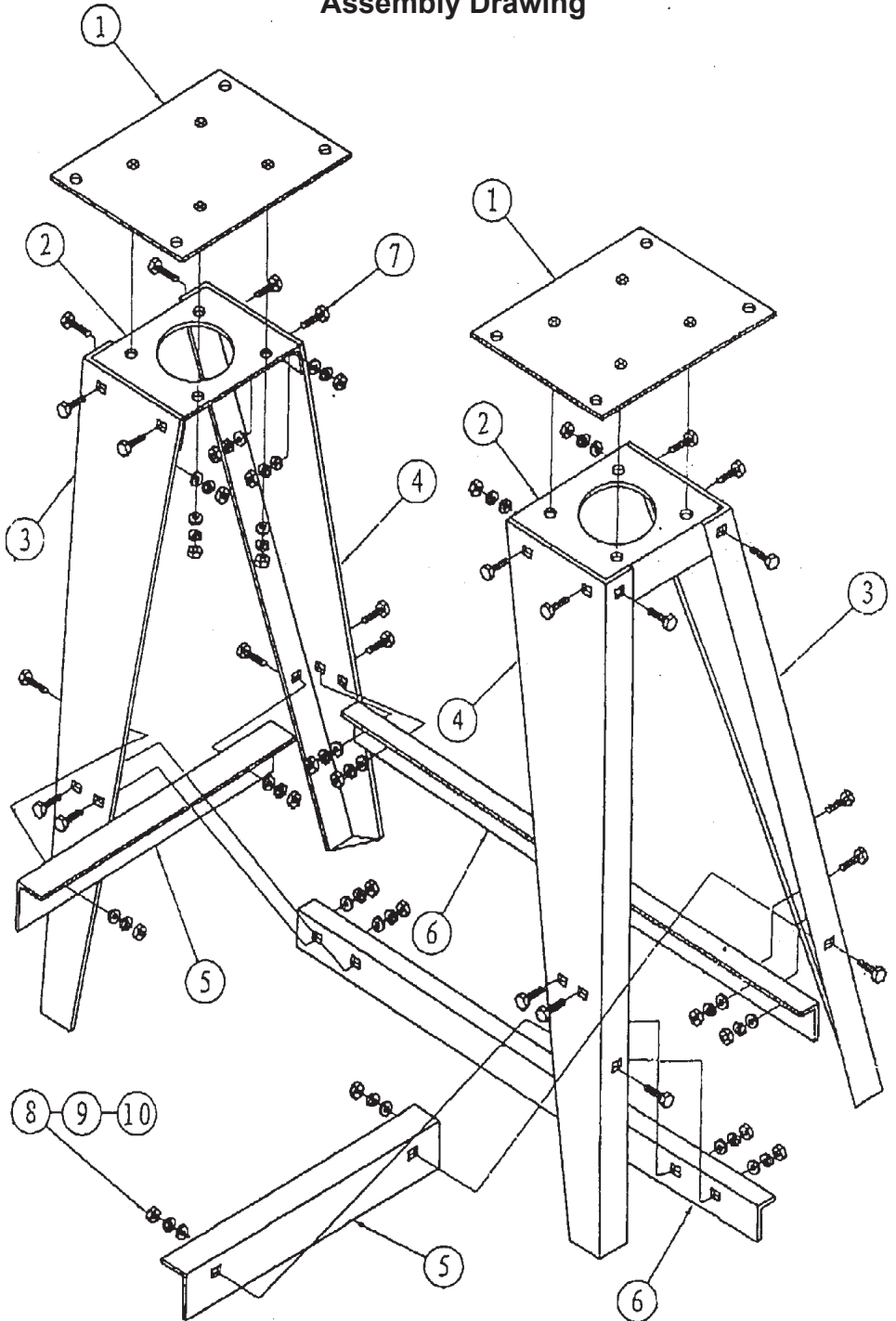
Part	Description	Qty.
1	Adapter Plate	2
2	Base Plate	2
3	Leg A	2
4	Leg B	2
5	Leg Mounting A	2
6	Leg Mounting B	2
7	Bolt	24
8	Flat Washer	32
9	Spring Washer	32
10	Nut	32

#### PLEASE READ THE FOLLOWING CAREFULLY

THE MANUFACTURER AND/OR DISTRIBUTOR HAS PROVIDED THE PARTS DIAGRAM IN THIS MANUAL AS A REFERENCE TOOL ONLY. NEITHER THE MANUFACTURER NOR DISTRIBUTOR MAKES ANY REPRESENTATION OR WARRANTY OF ANY KIND TO THE BUYER THAT HE OR SHE IS QUALIFIED TO MAKE ANY REPAIRS TO THE PRODUCT OR THAT HE OR SHE IS QUALIFIED TO REPLACE ANY PARTS OF THE PRODUCT. IN FACT, THE MANUFACTURER AND/OR DISTRIBUTOR EXPRESSLY STATES THAT ALL REPAIRS AND PARTS REPLACEMENTS SHOULD BE UNDERTAKEN BY CERTIFIED AND LICENSED TECHNICIANS AND NOT BY THE BUYER. THE BUYER ASSUMES ALL RISK AND LIABILITY ARISING OUT OF HIS OR HER REPAIRS TO THE ORIGINAL PRODUCT OR REPLACEMENT PARTS THERETO, OR ARISING OUT OF HIS OR HER INSTALLATION OF REPLACEMENT PARTS THERETO.

**NOTE:** Some parts are listed and shown for illustration purposes only and are not available individually as replacement parts.

# Assembly Drawing



## Free Manuals Download Website

<http://myh66.com>

<http://usermanuals.us>

<http://www.somanuals.com>

<http://www.4manuals.cc>

<http://www.manual-lib.com>

<http://www.404manual.com>

<http://www.luxmanual.com>

<http://aubethermostatmanual.com>

Golf course search by state

<http://golfingnear.com>

Email search by domain

<http://emailbydomain.com>

Auto manuals search

<http://auto.somanuals.com>

TV manuals search

<http://tv.somanuals.com>